

# United States Patent [19]

Belletire et al.

[11] Patent Number: Des. 302,176

[45] Date of Patent: \*\* Jul. 11, 1989

[54] PEN-LIKE DISPENSER

[75] Inventors: Steven P. Belletire, Oak Park;  
Stanley T. Gresens, Chicago, both of Ill.

[73] Assignee: Minnesota Mining and  
Manufacturing Company, Saint Paul,  
Minn.

[\*\*] Term: 14 Years

[21] Appl. No.: 884,406

[22] Filed: Jul. 11, 1986

[52] U.S. Cl. .... D19/66; D19/41;  
D19/65; D19/43

[58] Field of Search ..... D19/35, 36, 41-51,  
D19/65, 66; 401/260, 262, 264, 266, 139, 126,  
37

[56] References Cited

## U.S. PATENT DOCUMENTS

D. 182,739 5/1958 Pawson et al. .... D19/43  
D. 269,531 6/1983 Ando ..... D19/66

2,948,008 8/1960 Leeds et al. .... 401/266  
4,011,879 3/1977 Roberts ..... 401/266 X  
4,543,005 9/1985 Kuboshima ..... 401/260  
4,783,185 11/1988 Erismann et al. .... 401/37

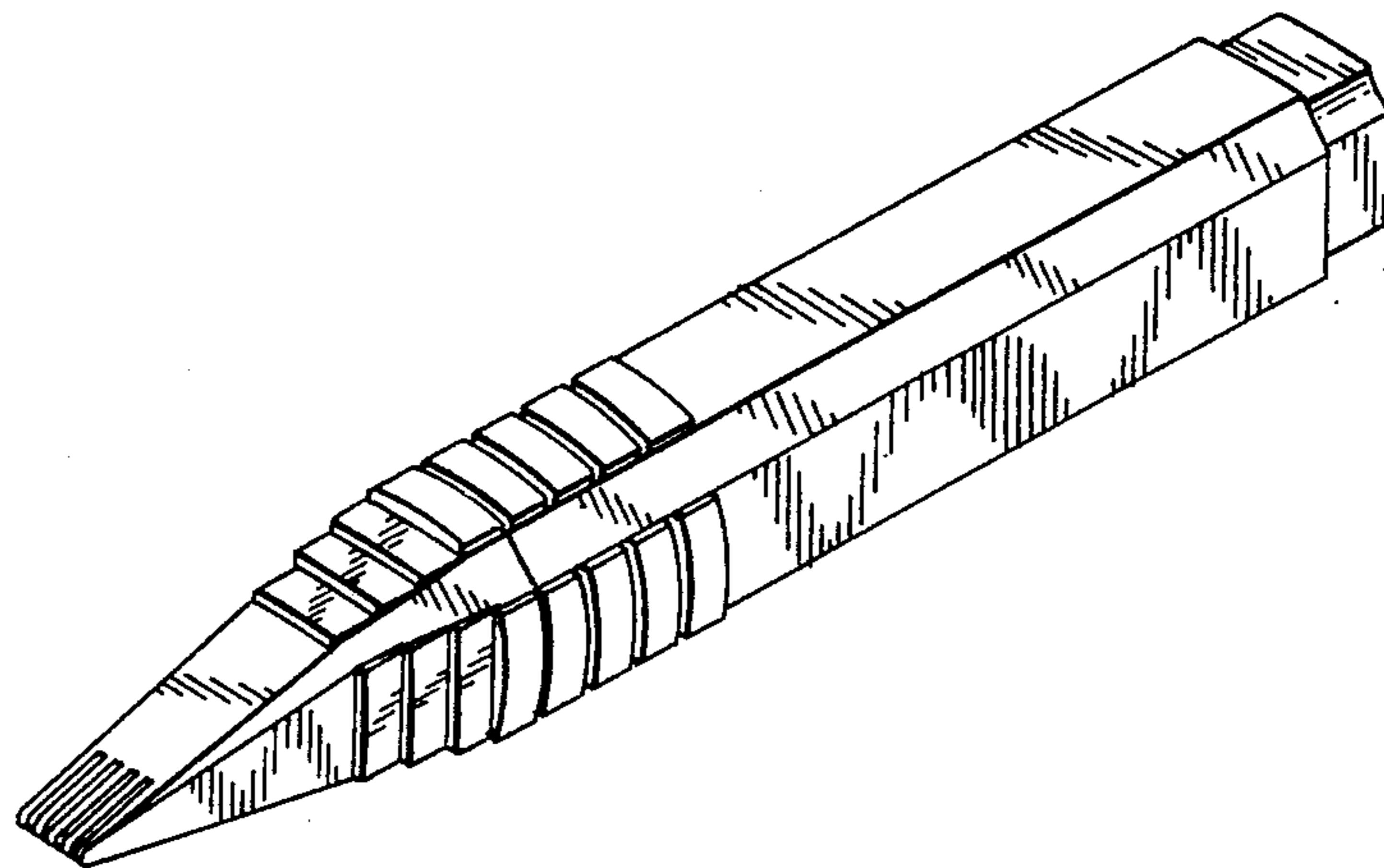
Primary Examiner—Bruce W. Dunkins  
Assistant Examiner—Martha Thompson  
Attorney, Agent, or Firm—Donald M. Sell; Walter N.  
Kirn; William L. Huebsch

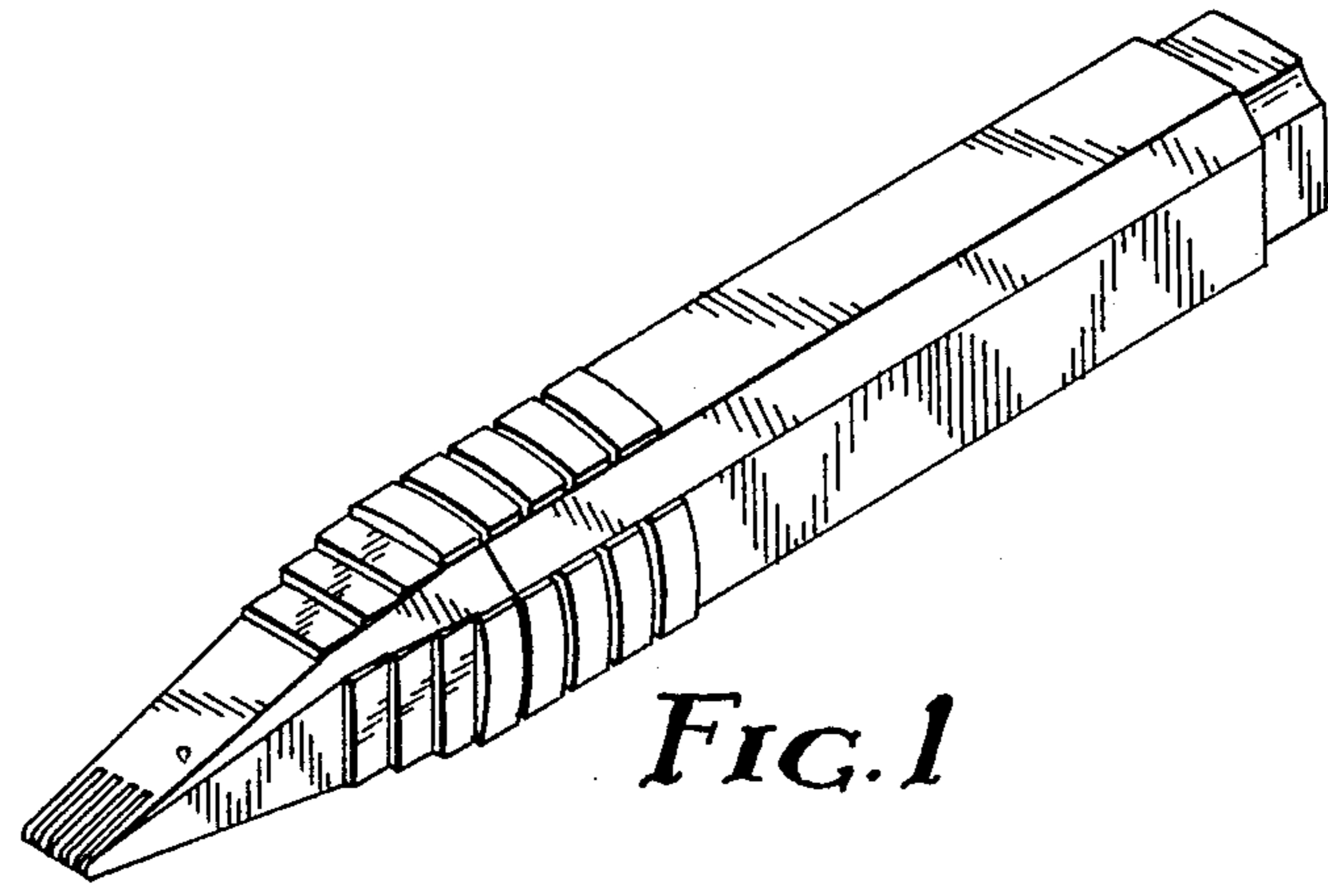
## [57] CLAIM

The ornamental design for a pen-like dispenser, as shown and described.

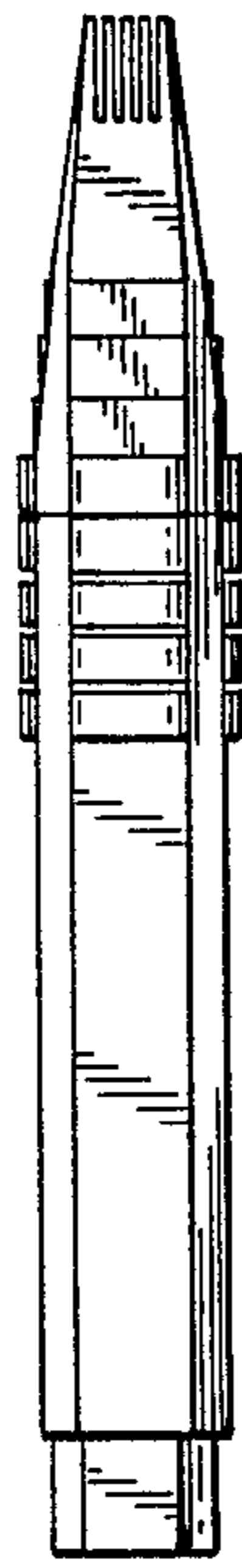
## DESCRIPTION

FIG. 1 is a front perspective view of a pen-like dispenser showing our new design;  
FIG. 2 is a reduced front elevational view;  
FIG. 3 is a reduced left side elevational view, the right side being a mirror image thereof;  
FIG. 4 is a reduced rear elevational view;  
FIG. 5 is an enlarged top plan view;  
FIG. 6 is an enlarged bottom plan view; and  
FIG. 7 is a front elevational view showing the dispenser of FIG. 1 in an exploded condition.

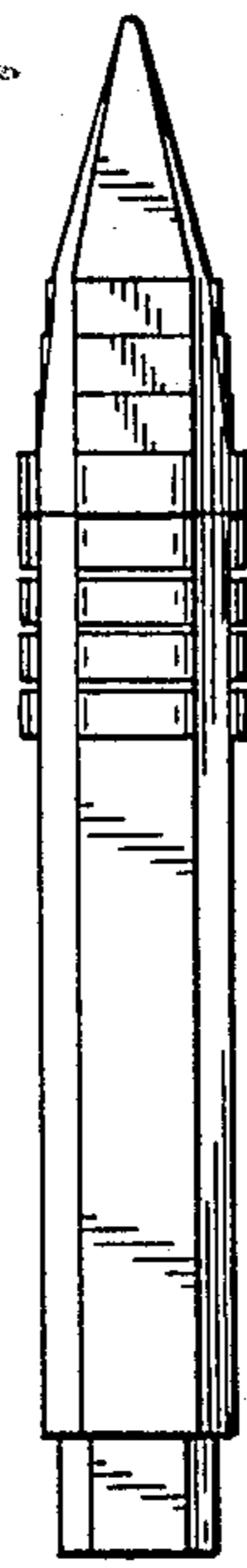




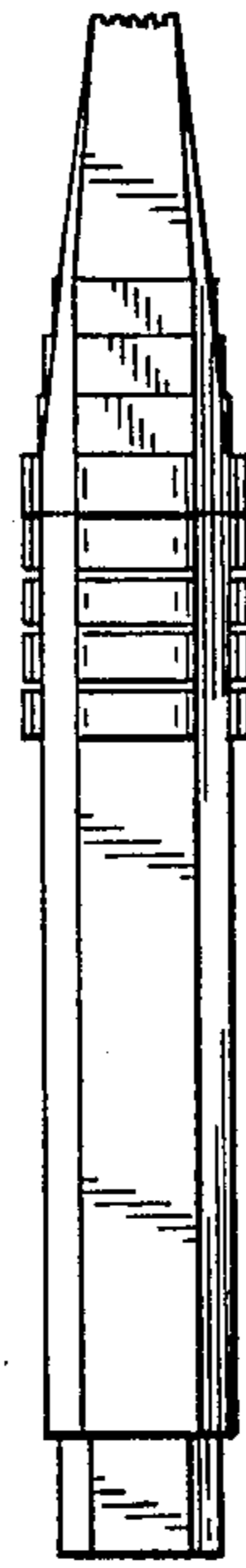
*FIG. 1*



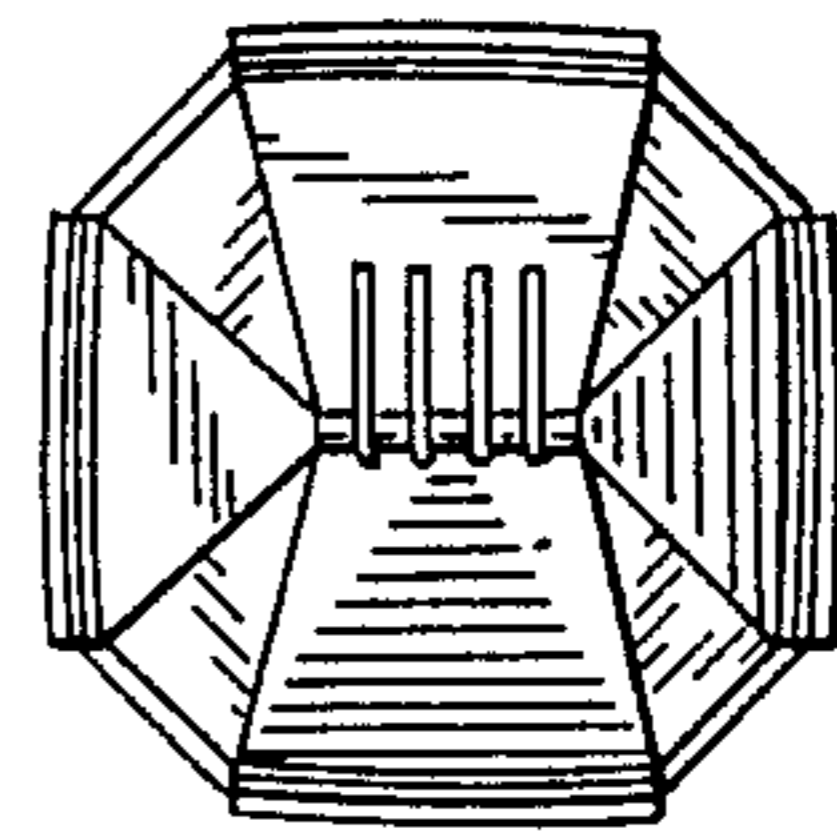
*FIG. 2*



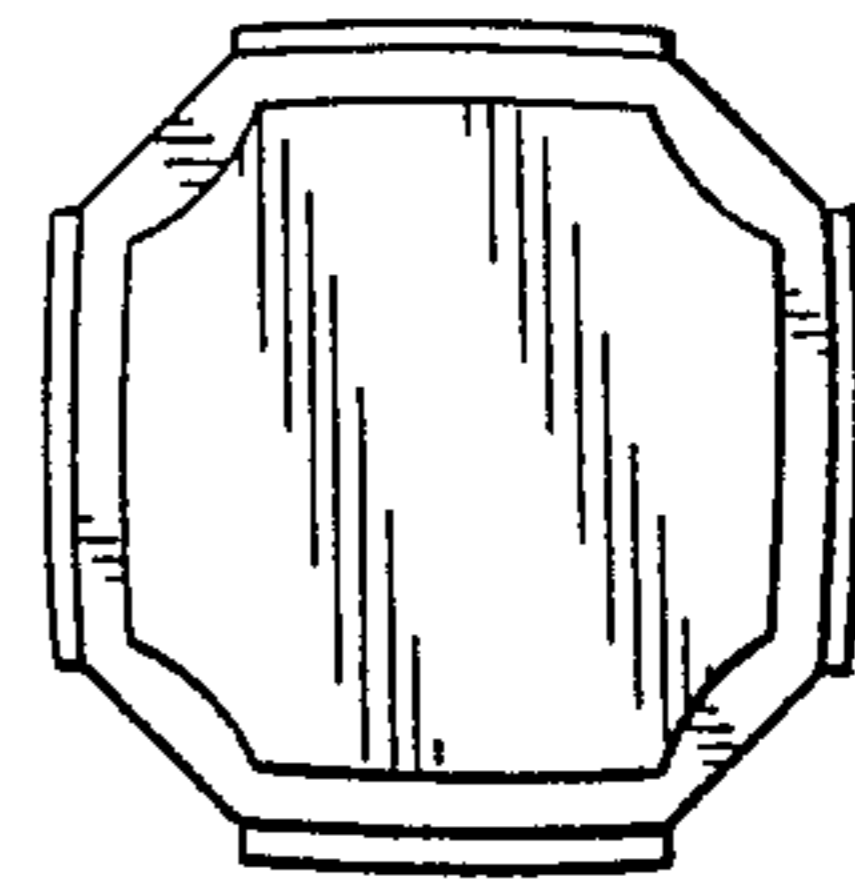
*FIG. 3*



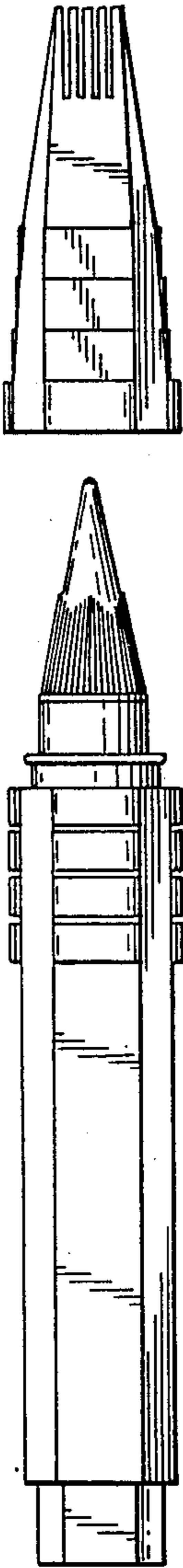
*FIG. 4*



*FIG. 5*



*FIG. 6*



*FIG. 7*