

[54] MARKING PEN

[75] Inventors: Akira Ohashi; Keiichi Mizutani, both of Nagoya, Japan

[73] Assignee: Shachihata Industrial Co., Ltd., Nagoya, Japan

[**] Term: 14 Years

[21] Appl. No.: 824,374

[22] Filed: Jan. 23, 1986

[30] Foreign Application Priority Data

Jul. 27, 1985 [JP] Japan 60-32196

[52] U.S. Cl. D19/43; D19/51

[58] Field of Search D19/41-51, D19/81, 54-58, 77, 100, 35, 36; D9/350-355, 361, 377, 392, 403, 406, 408, 337, 338, 339, 391, 392; 401/35, 88, 95, 195, 198, 213, 217, 221-224, 202, 6, 13, 17, 29, 104, 116, 131, 161, 199, 209, 233-234, 34, 52, 98, 213, 243, 247, 262, 269

[56] References Cited

U.S. PATENT DOCUMENTS

- D. 193,918 10/1962 Ayres D19/43
- D. 260,657 9/1981 Funahashi D19/43
- D. 268,598 4/1983 Mizutani et al. D19/46
- 4,522,523 6/1985 Vogelsang 401/195

OTHER PUBLICATIONS

Shachihata Inc. Publication. Sep. 1969, p. 23, Long Lasting Felt Markers, middle right.

Adcon Inc., Catalogue, 1984, p. 70, Niji Giant Marker, top right of page.

Primary Examiner—B. Ansher

Assistant Examiner—L. Lieberman

Attorney, Agent, or Firm—Fleit, Jacobson, Cohn & Price

[57] CLAIM

The ornamental design for a marking pen, as shown.

DESCRIPTION

FIG. 1 is a perspective view of a marking pen showing our new design;

FIG. 2 is a front elevation thereof;

FIG. 3 is a rear elevation thereof;

FIG. 4 is a left side elevation thereof;

FIG. 5 is a top plan view thereof;

FIG. 6 is a bottom plan view thereof;

FIG. 7 is a perspective view showing the marking pen in an exploded condition;

FIG. 8 is a front elevation of the marking pen without the cap;

FIG. 9 is an elevation as seen from the left of FIG. 8;

FIG. 10 is a top plan view of the pen in FIG. 8;

FIG. 11 is a front elevation of the cap member, disclosed separately for purposes of clarity; and

FIG. 12 is a bottom plan view of the cap member.

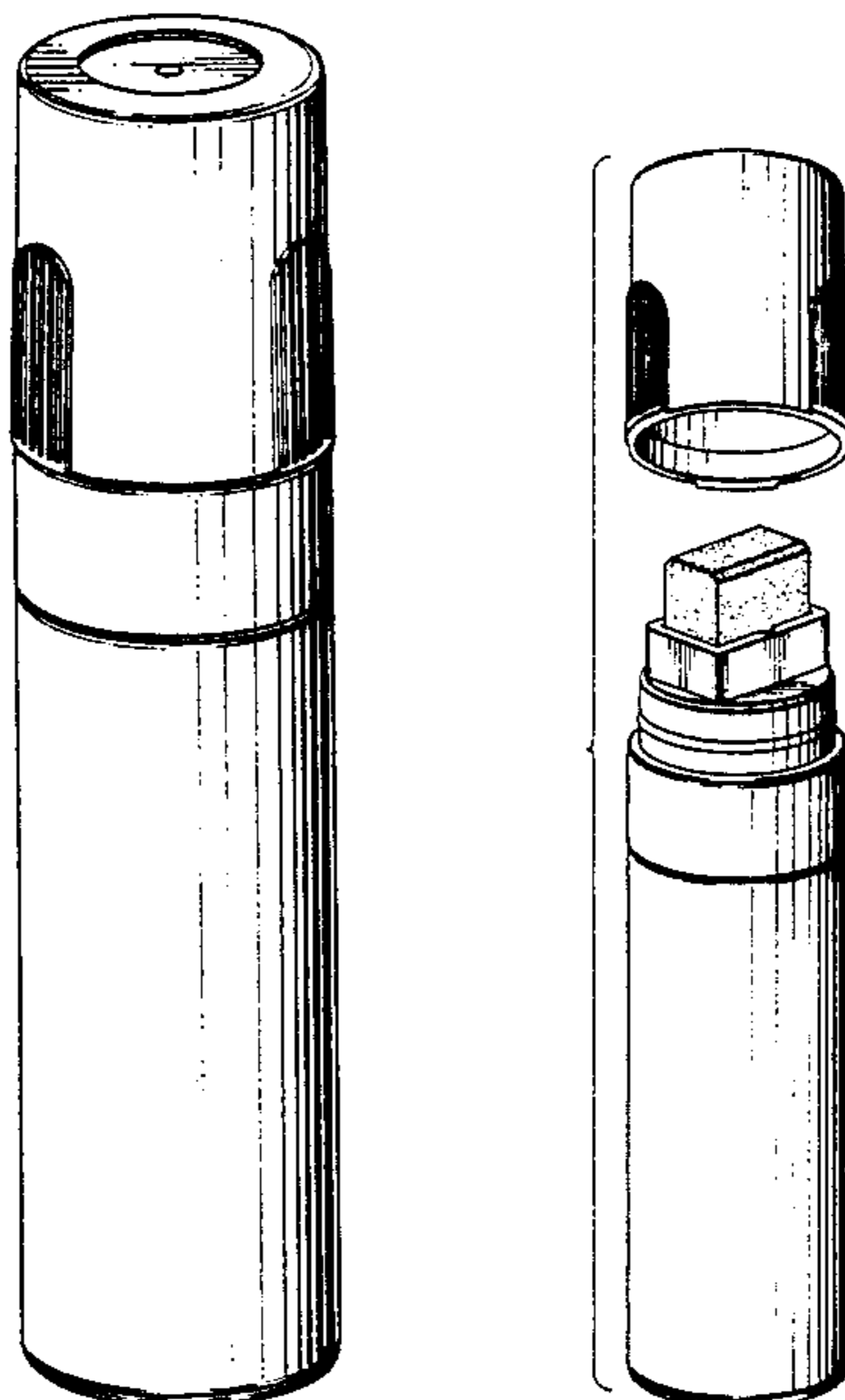


FIG. 1

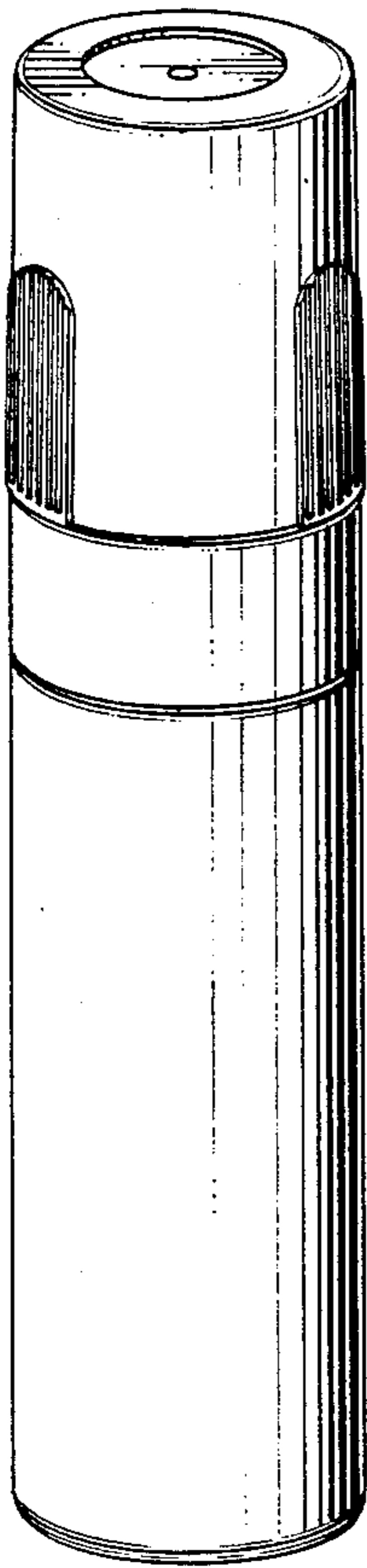


FIG. 2

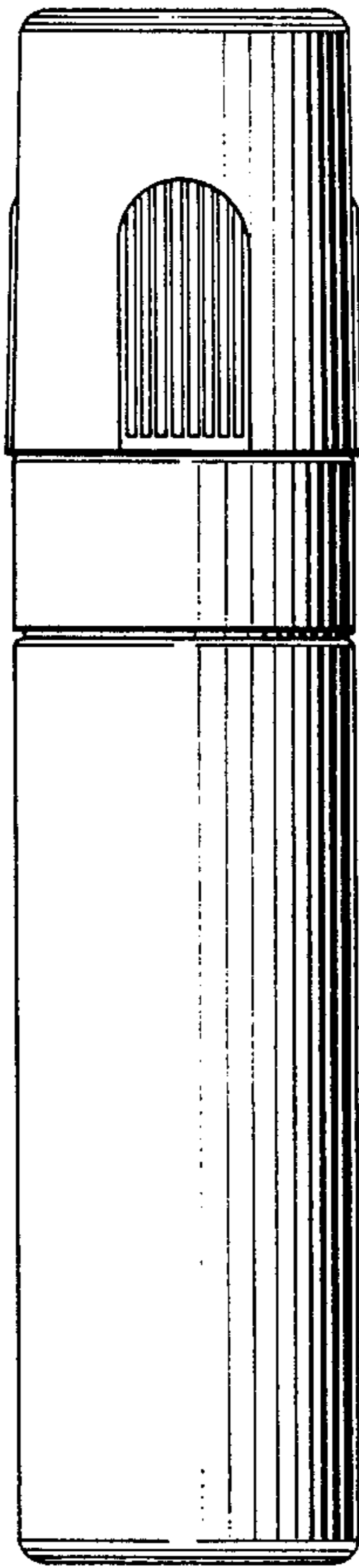


FIG. 3

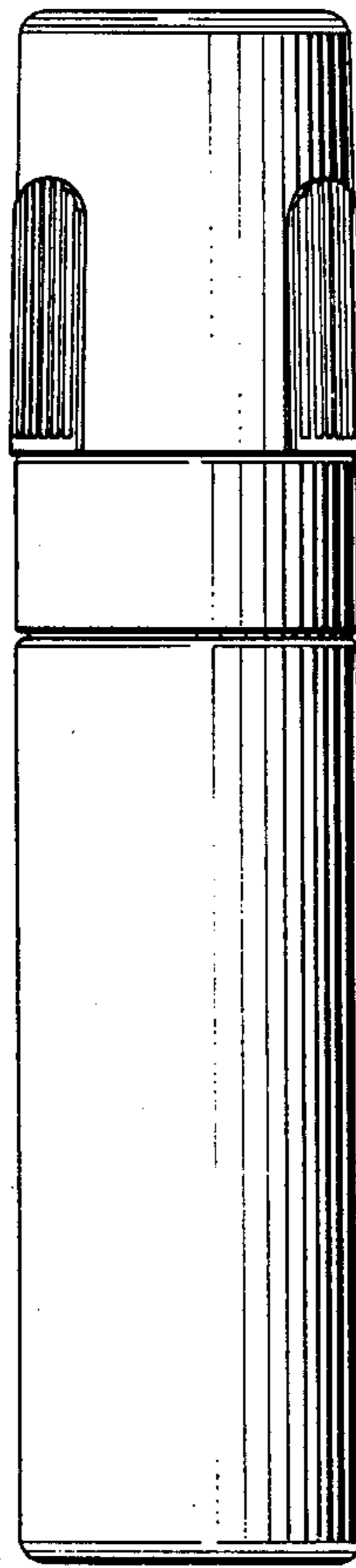


FIG. 4

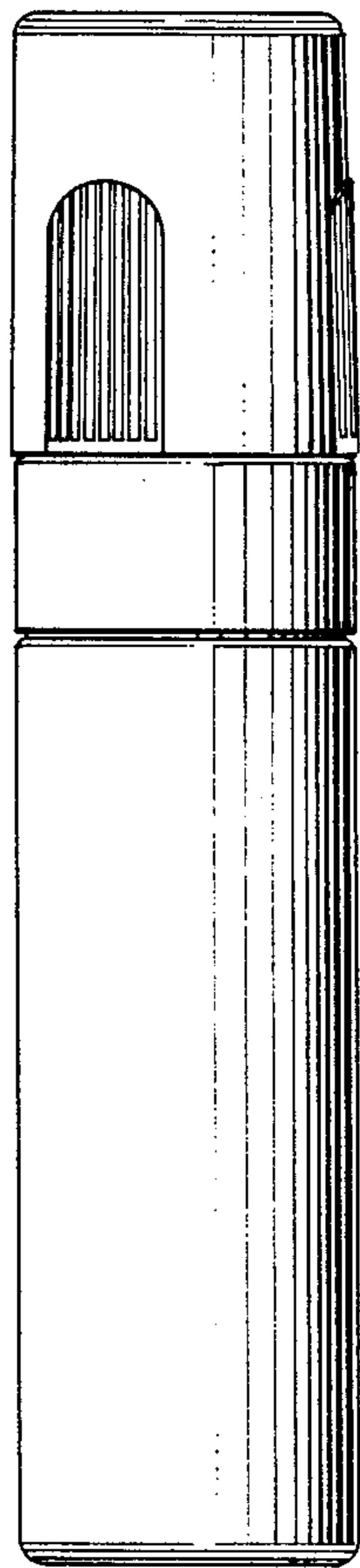


FIG. 5

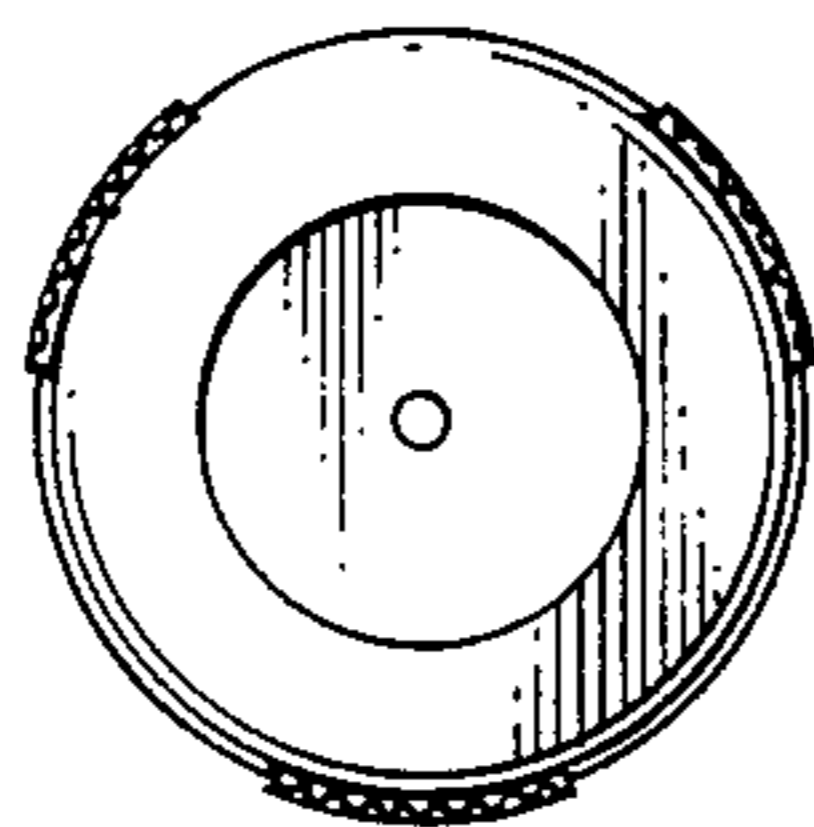


FIG. 6

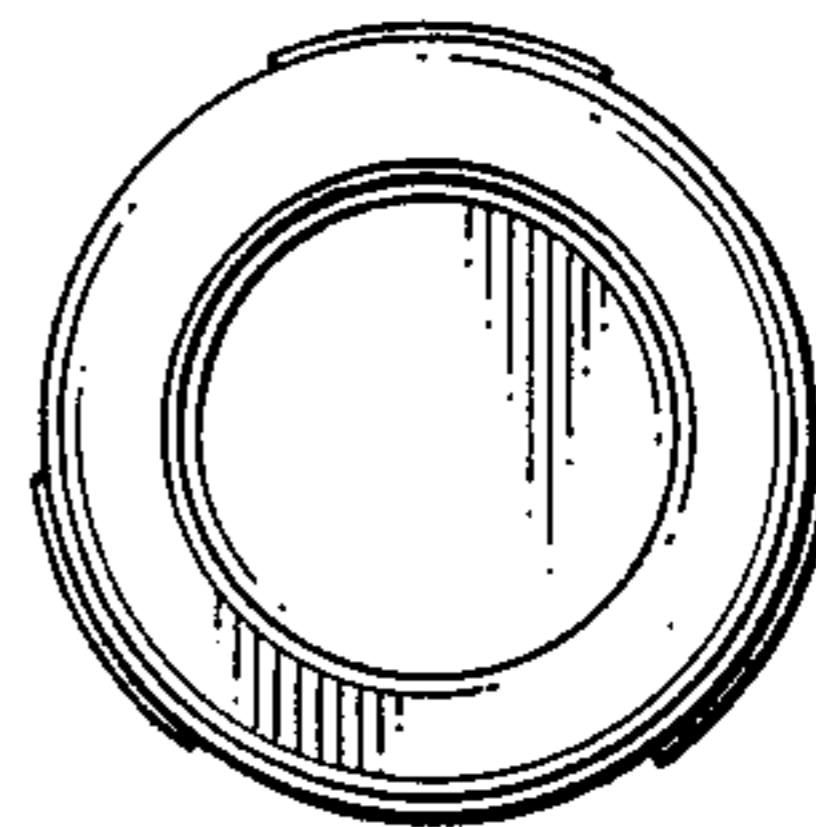


FIG. 7

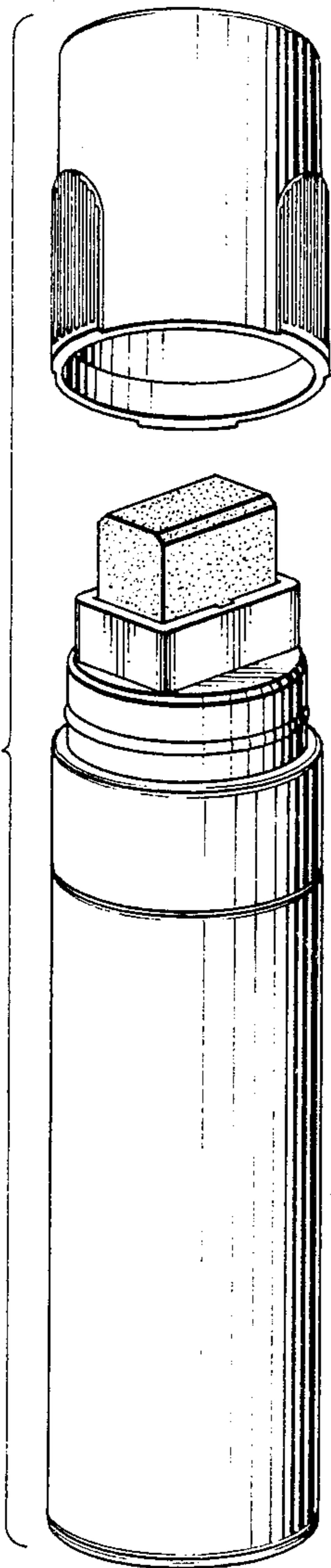


FIG. 8

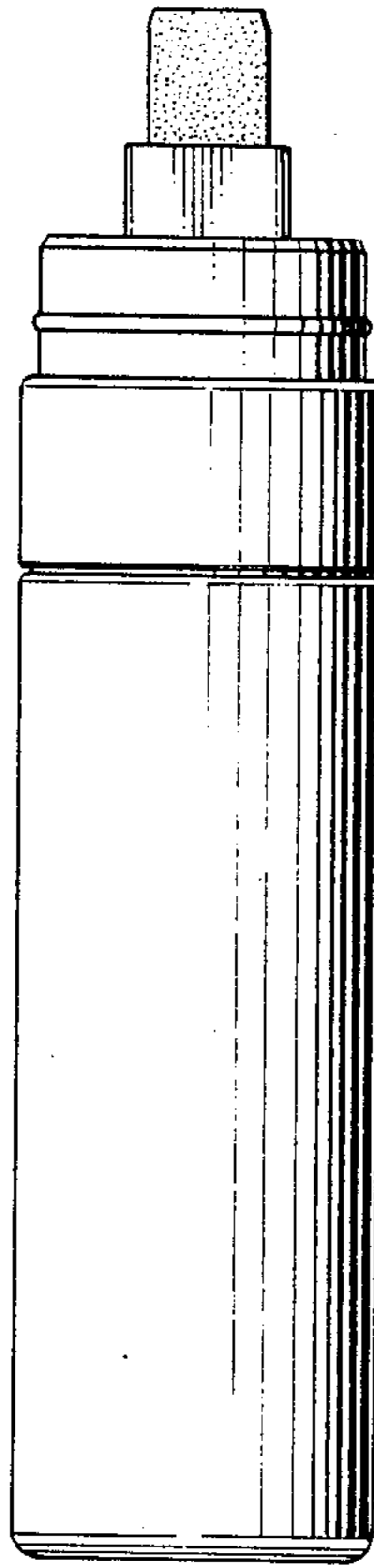


FIG. 9

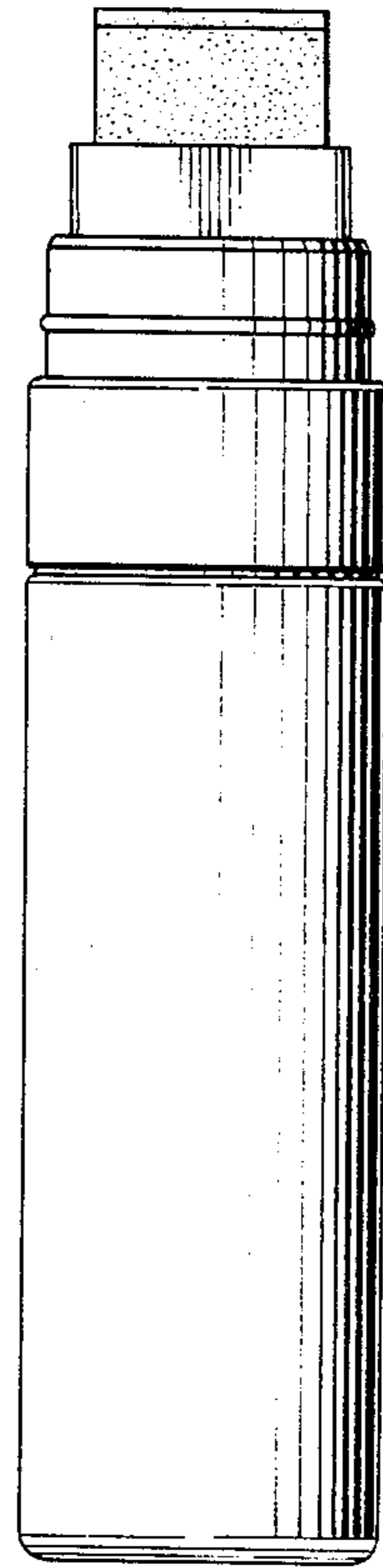


FIG. 10

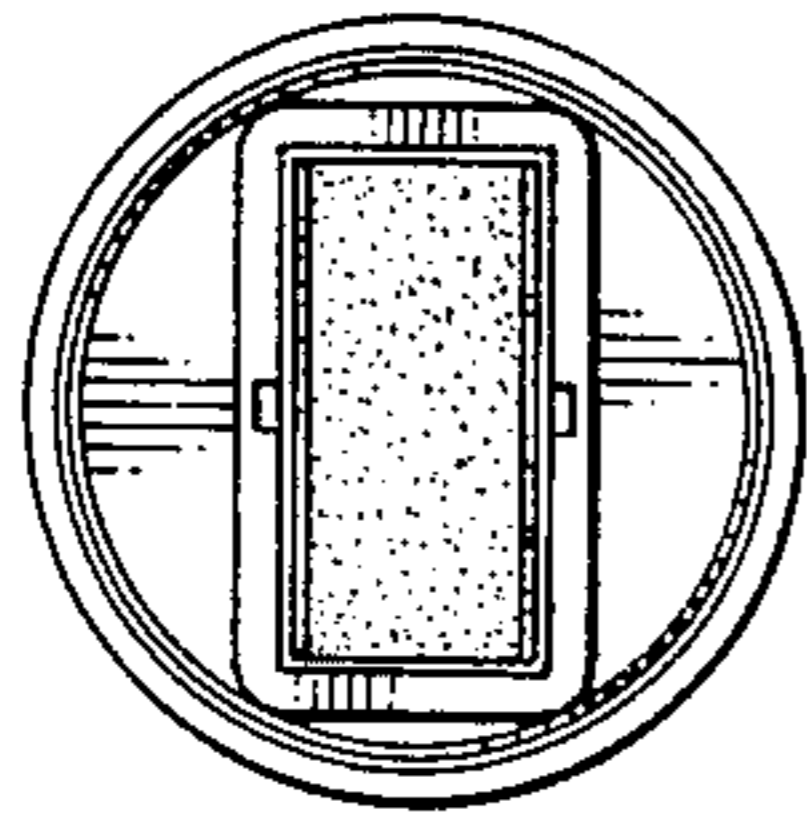


FIG. 11

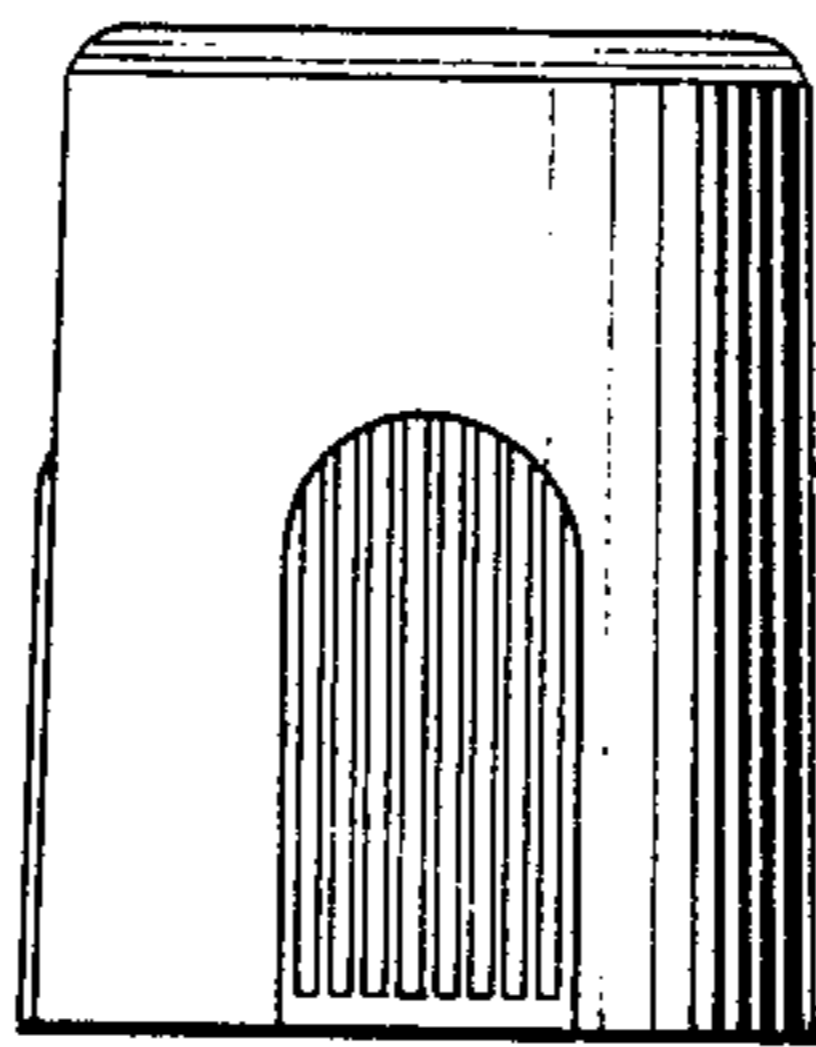


FIG. 12

