

[54] INK RIBBON CARTRIDGE

[75] Inventor: Keiichi Oshima, Suwa, Japan

[73] Assignee: Seiko Epson Corporation, Tokyo, Japan

[\*\*] Term: 14 Years

[21] Appl. No.: 926,267

[22] Filed: Oct. 31, 1986

[30] Foreign Application Priority Data

Jun. 11, 1986 [JP] Japan ..... 61-22497

[52] U.S. Cl. .... D18/12

[58] Field of Search ..... D18/12, 22, 23, 99; 400/196.18, 208

[56] References Cited

U.S. PATENT DOCUMENTS

- D. 244,965 7/1977 Trezise et al. .... D18/12
- D. 245,116 7/1977 Trezise ..... D18/12
- D. 265,567 7/1982 Christie et al. .... D18/12

- D. 276,353 11/1984 Shore ..... D18/12
- D. 277,193 1/1985 Asahi ..... D18/12
- D. 281,257 11/1985 Bellini ..... D18/22
- 4,034,935 7/1977 Plaza et al. .... D18/12 X
- 4,343,556 8/1982 Kobayashi ..... 400/196.1
- 4,511,271 4/1985 Oberto ..... 400/208

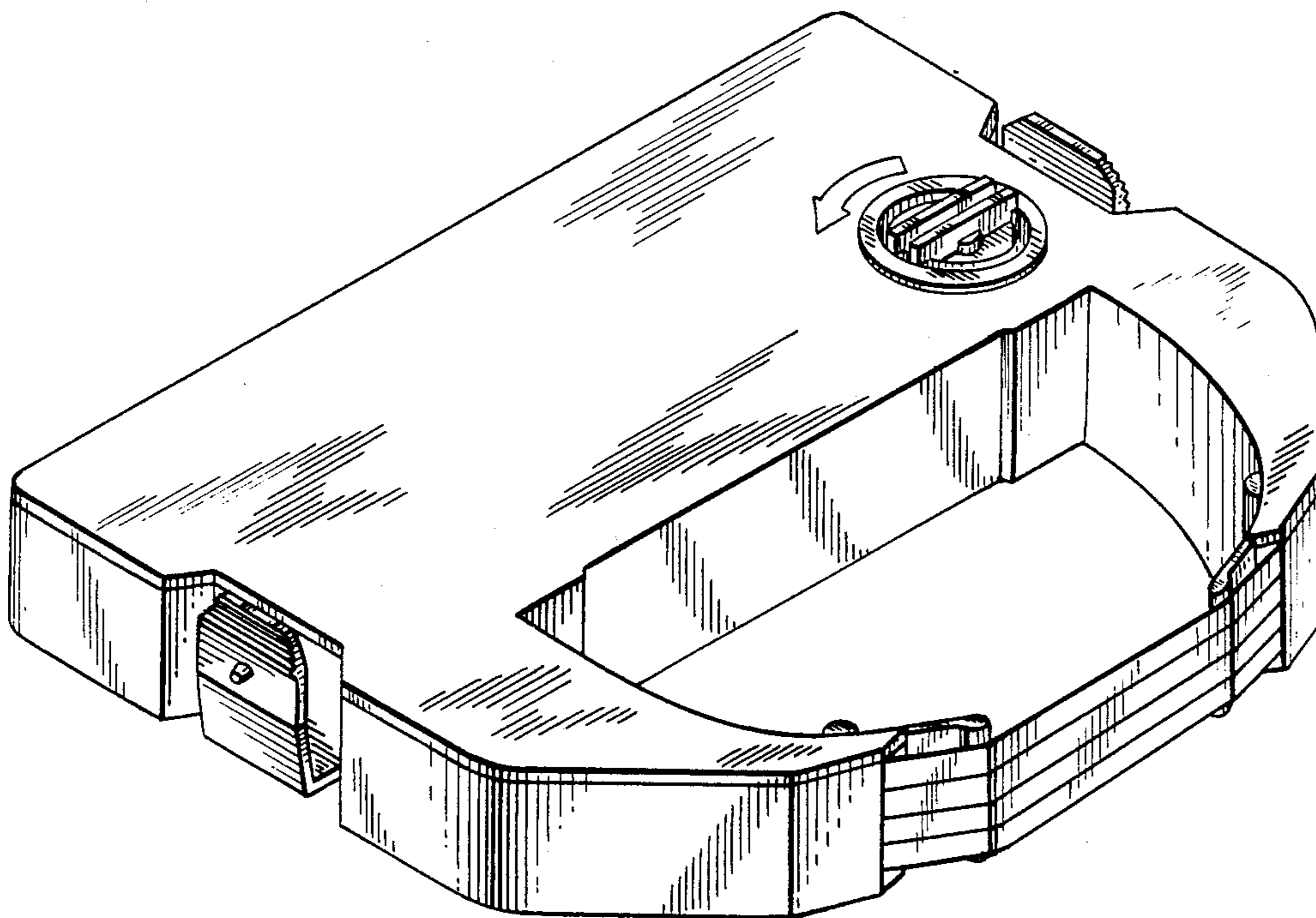
Primary Examiner—James R. Largen  
Attorney, Agent, or Firm—Blum Kaplan

[57] CLAIM

The ornamental design for a ink ribbon cartridge, as shown and described.

DESCRIPTION

FIG. 1 is a top plan view of an ink ribbon cartridge embodying my new design;  
 FIG. 2 is a front elevational view thereof;  
 FIG. 3 is a left side elevational view thereof;  
 FIG. 4 is a right side elevational view thereof;  
 FIG. 5 is a rear elevational view thereof;  
 FIG. 6 is a bottom plan view thereof; and  
 FIG. 7 is a perspective view taken from the top, rear and right side thereof.



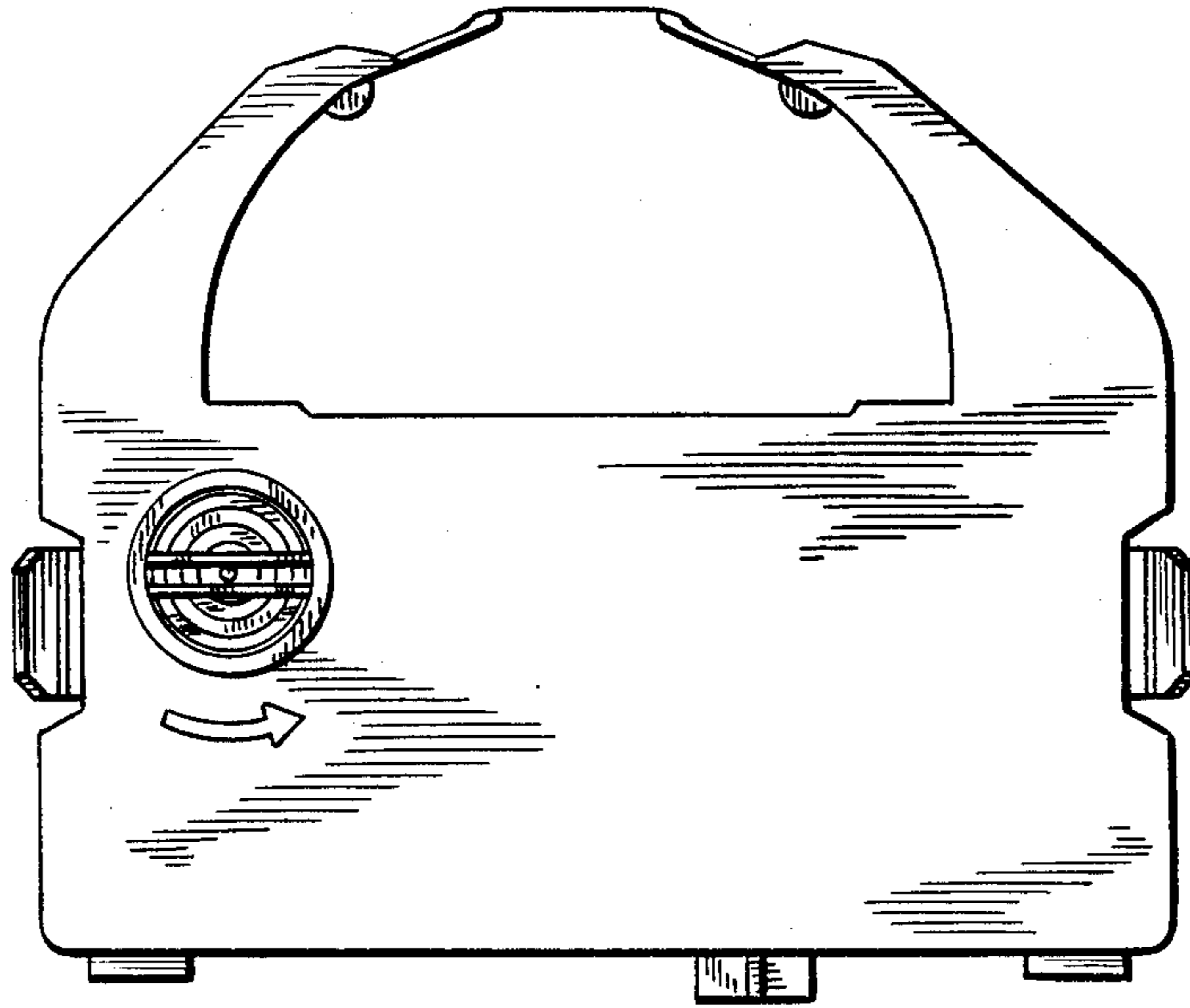


FIG. 1

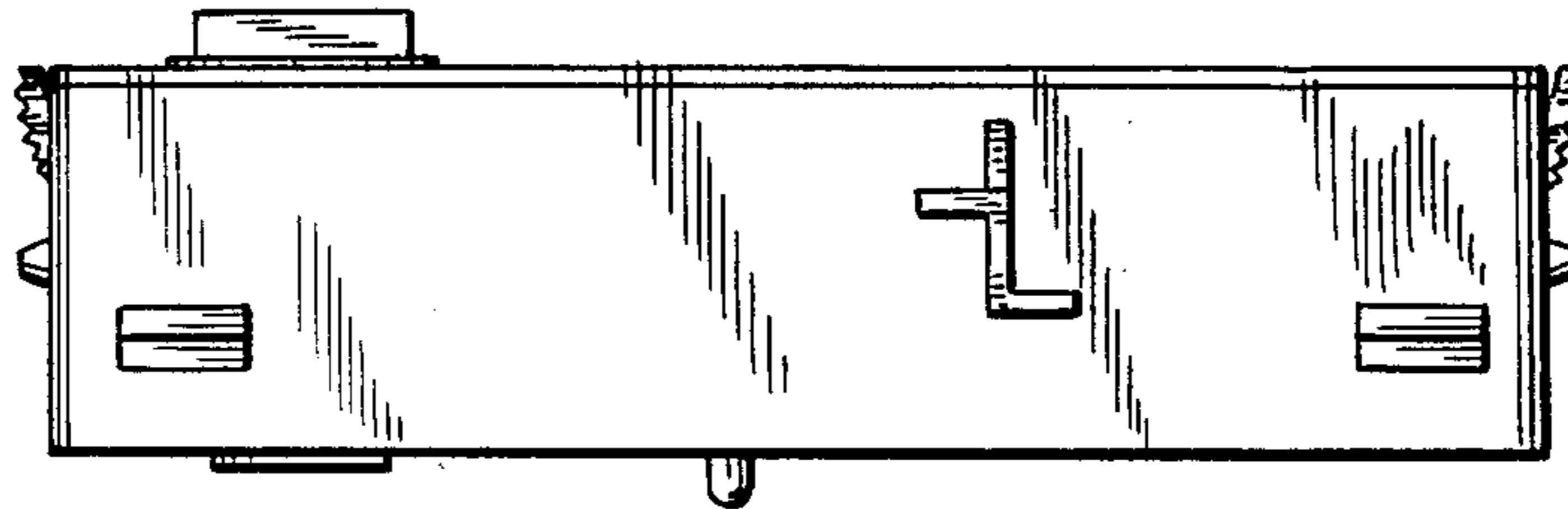


FIG. 2

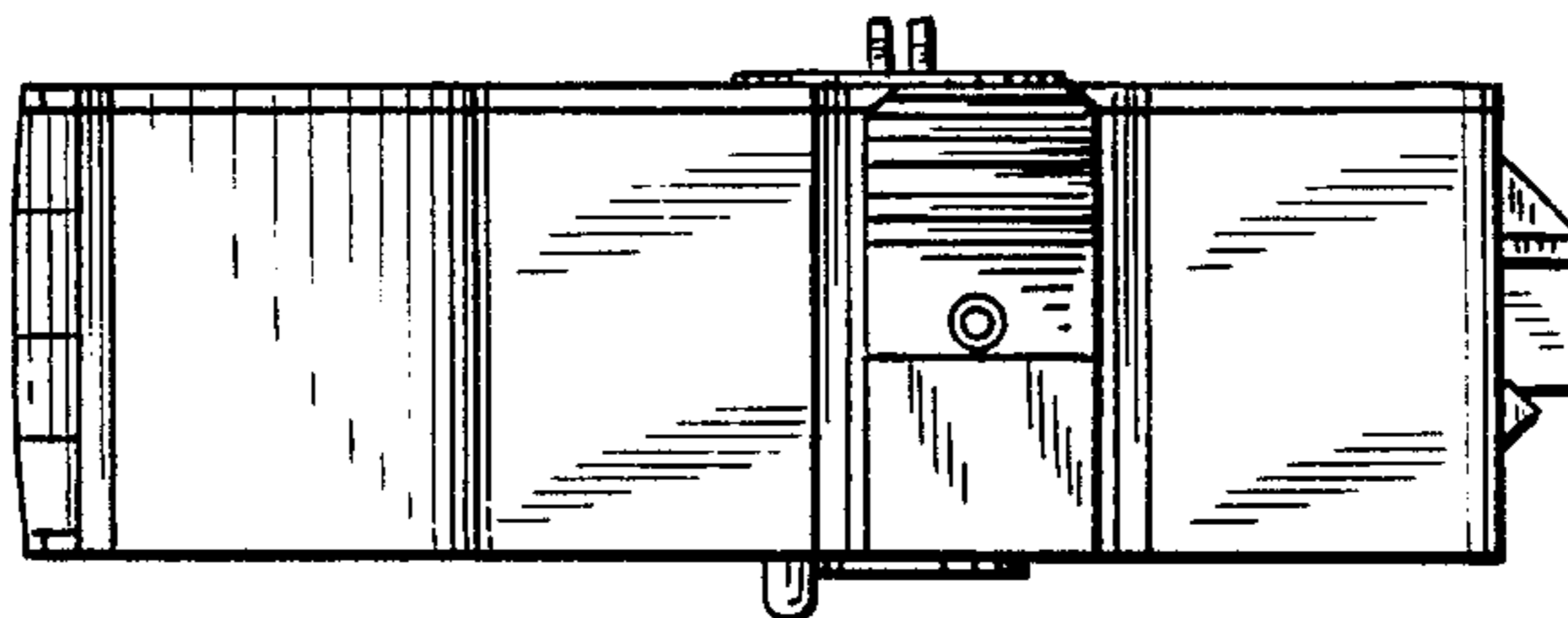


FIG. 3

FIG. 4

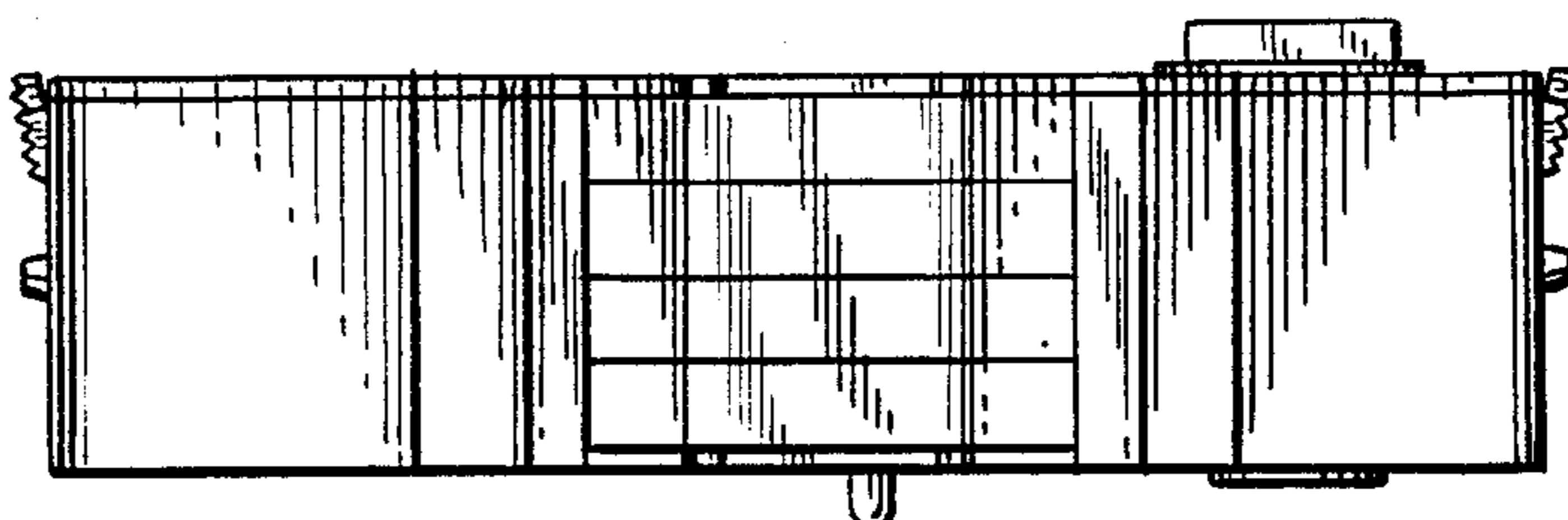
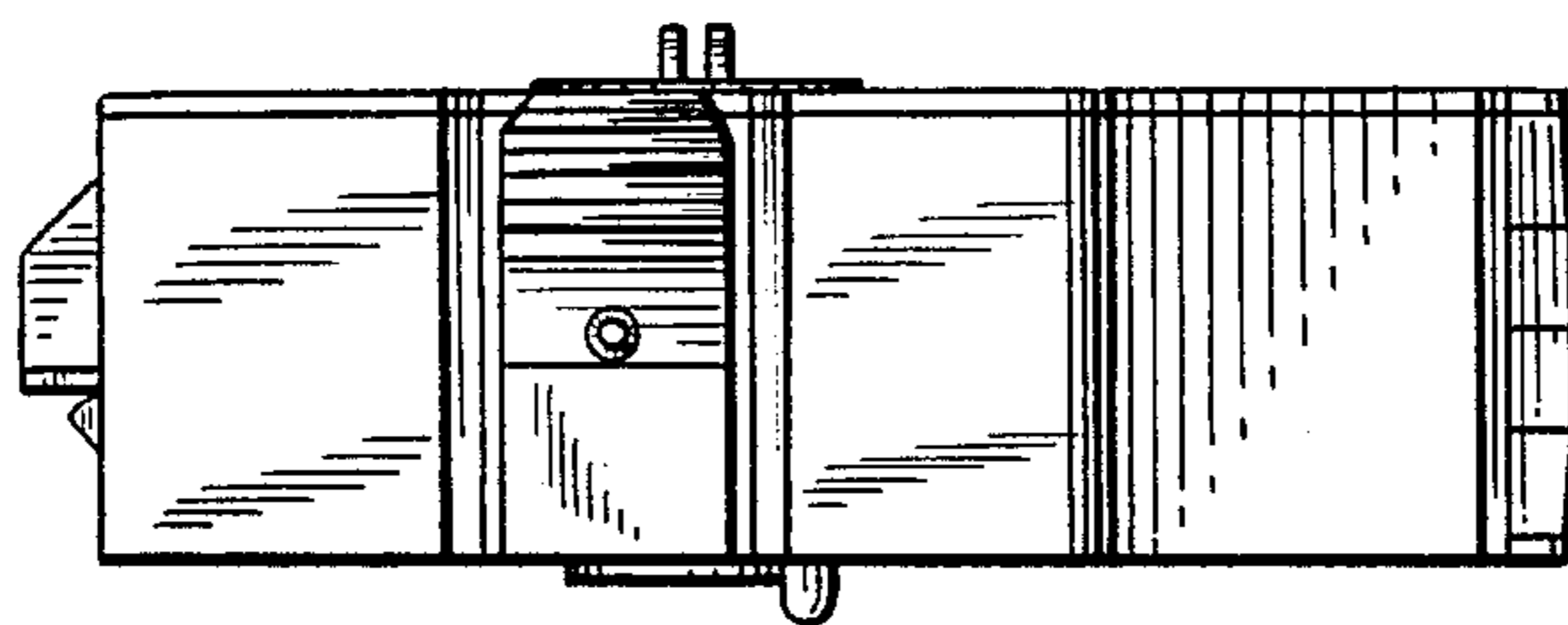


FIG. 5

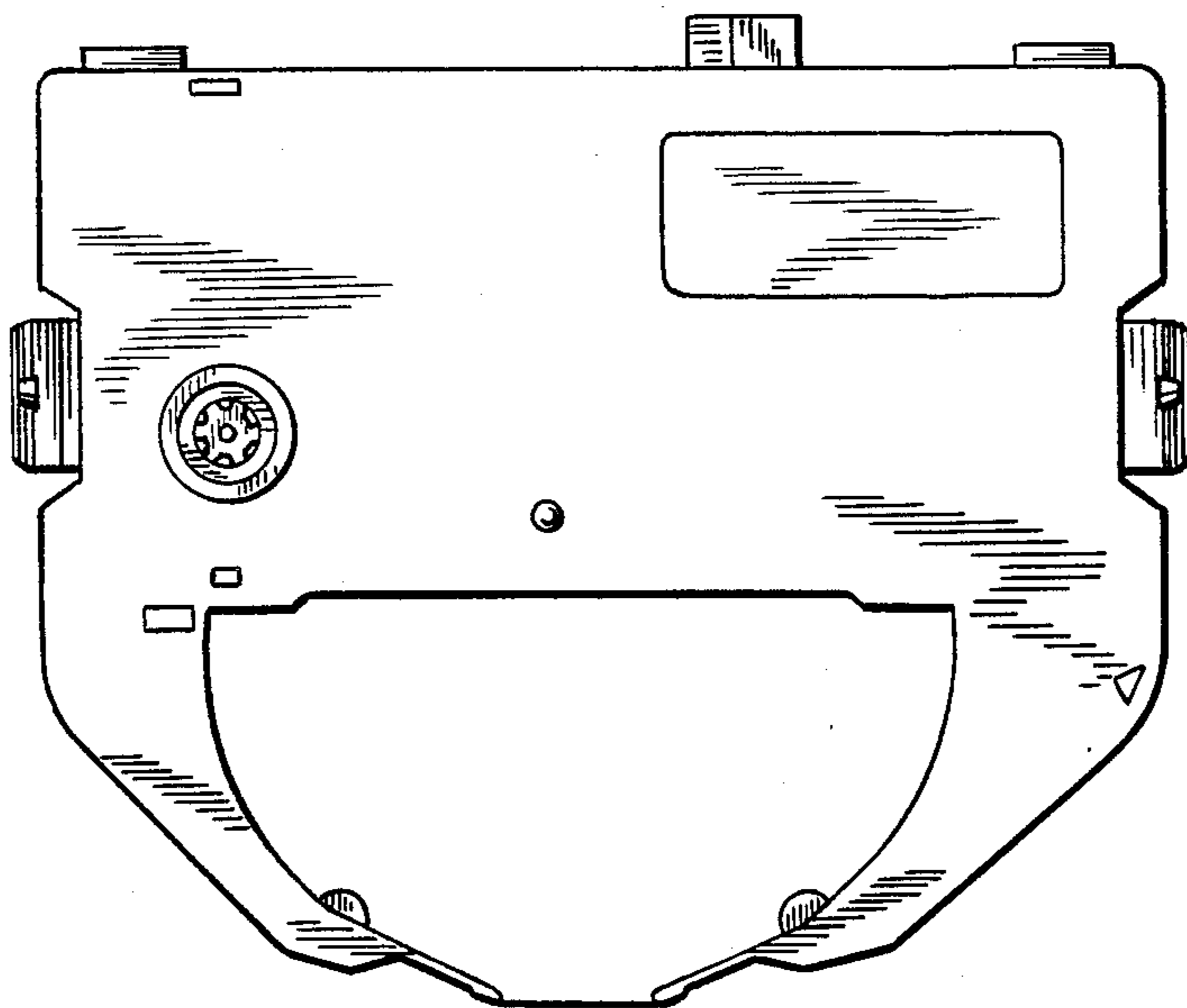


FIG. 6

FIG. 7

