

[54] MACHINE FOR CUTTING WORKPIECES UTILIZING ELECTRIC DISCHARGE

[75] Inventors: Kazuo Itoh, Aichi; Yasuyo Isaji, Nagoya; Masao Shimomura, Toyoake, all of Japan

[73] Assignee: Brother Kogyo Kabushiki Kaisha, Nagoya, Japan

[**] Term: 14 Years

[21] Appl. No.: 86,652

[22] Filed: Aug. 17, 1987

[30] Foreign Application Priority Data

Mar. 3, 1987 [JP] Japan 62-7981
[52] U.S. Cl. D15/127
[58] Field of Search D15/122, 127, 132, 133, D15/134; 219/68, 69 R, 69 W, 69 G

[56] References Cited

U.S. PATENT DOCUMENTS

D. 286,407 10/1986 Itoh et al. D15/127
D. 298,833 12/1988 Yang D15/127

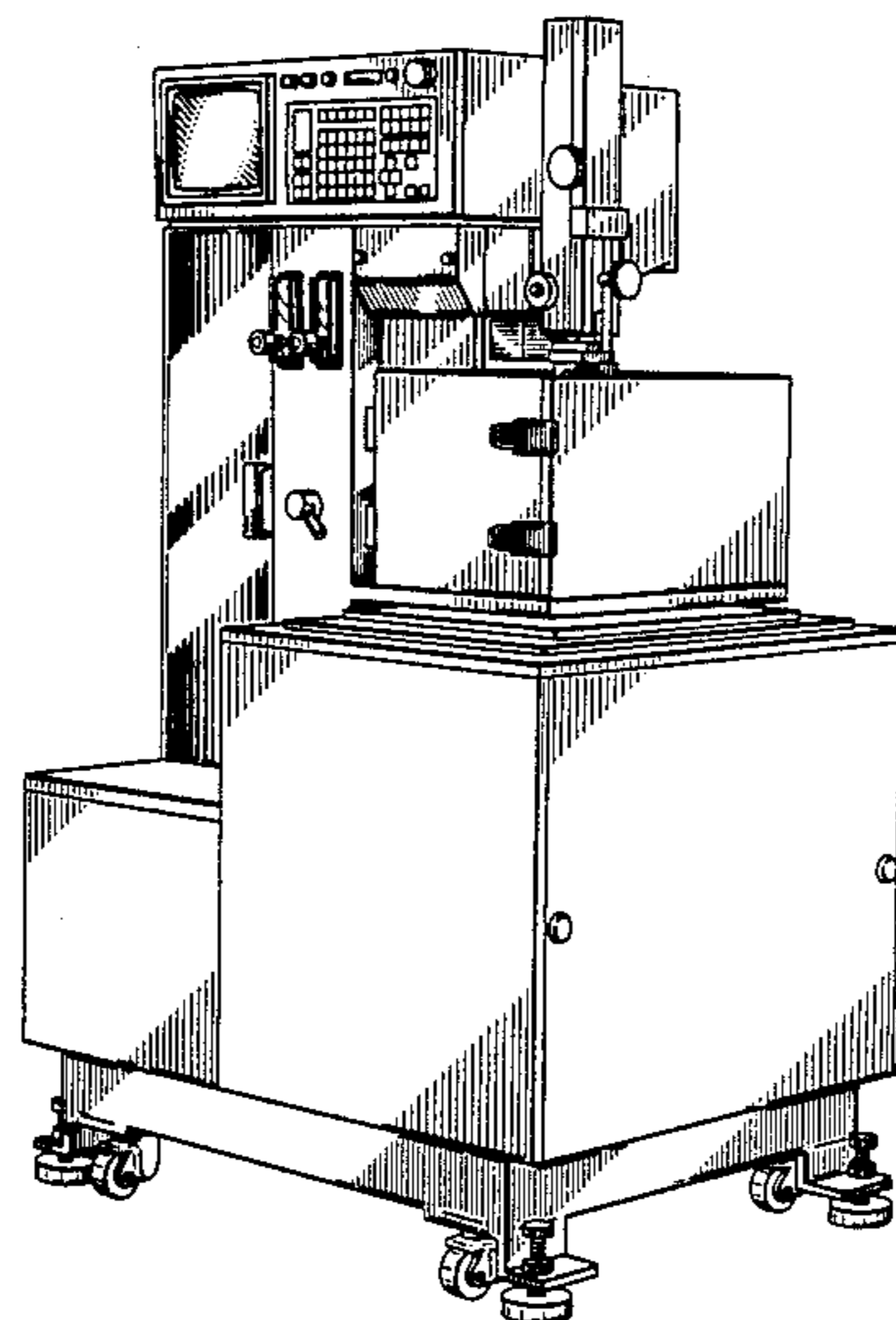
Primary Examiner—Bruce W. Dunkins
Assistant Examiner—Ruth Takemoto
Attorney, Agent, or Firm—Moonray Kojima

[57] CLAIM

The ornamental design for machine for cutting workpieces utilizing electric discharge, as shown and described.

DESCRIPTION

FIG. 1 is a front elevational view of a machine for cutting workpieces utilizing electric discharge, showing our new design;
FIG. 2 is a rear elevational view thereof;
FIG. 3 is a left side elevational view thereof;
FIG. 4 is a right side elevational view thereof;
FIG. 5 is a top plan view thereof; and
FIG. 6 is a front, top and right side perspective view thereof.



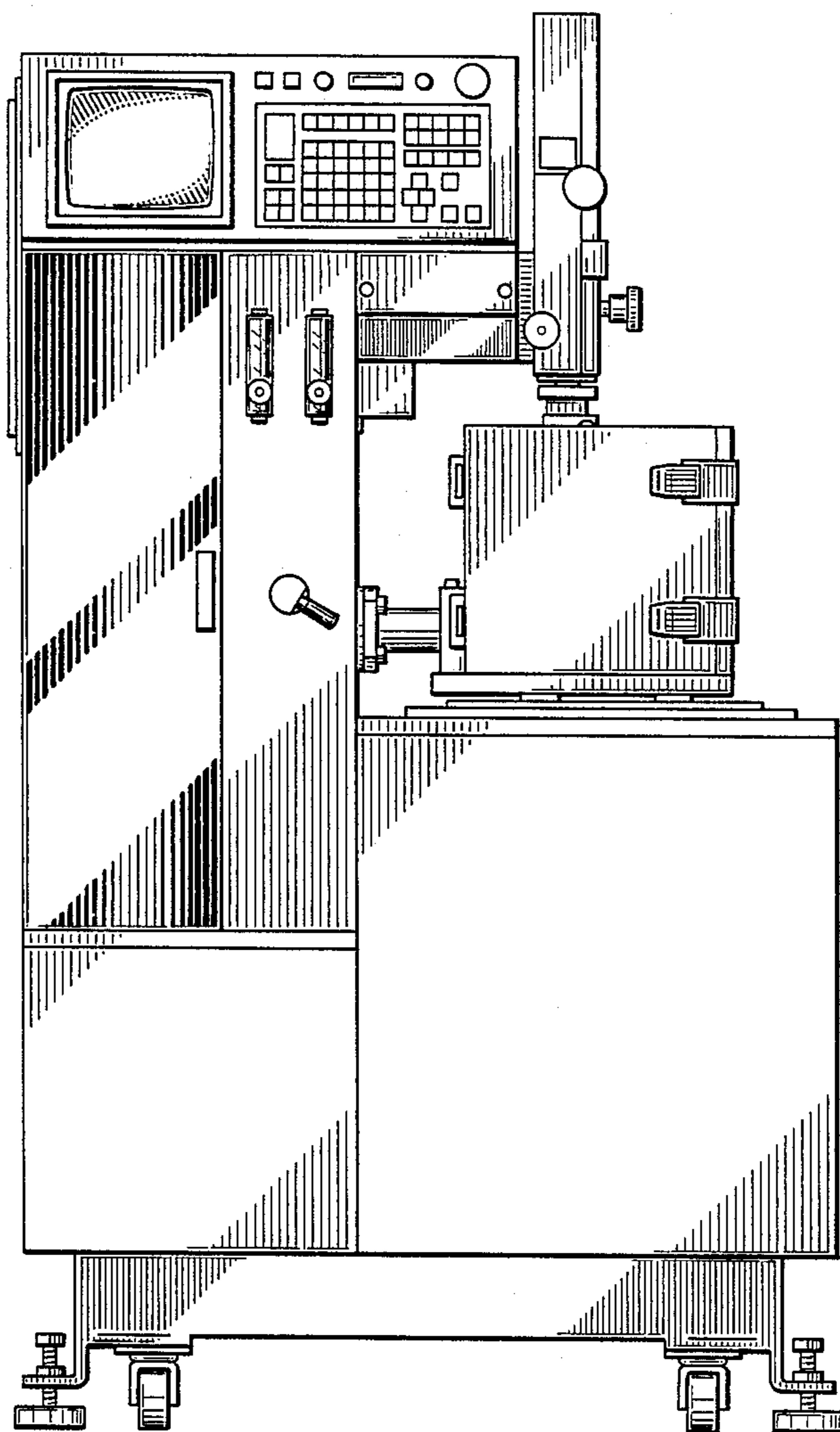


Fig. 1

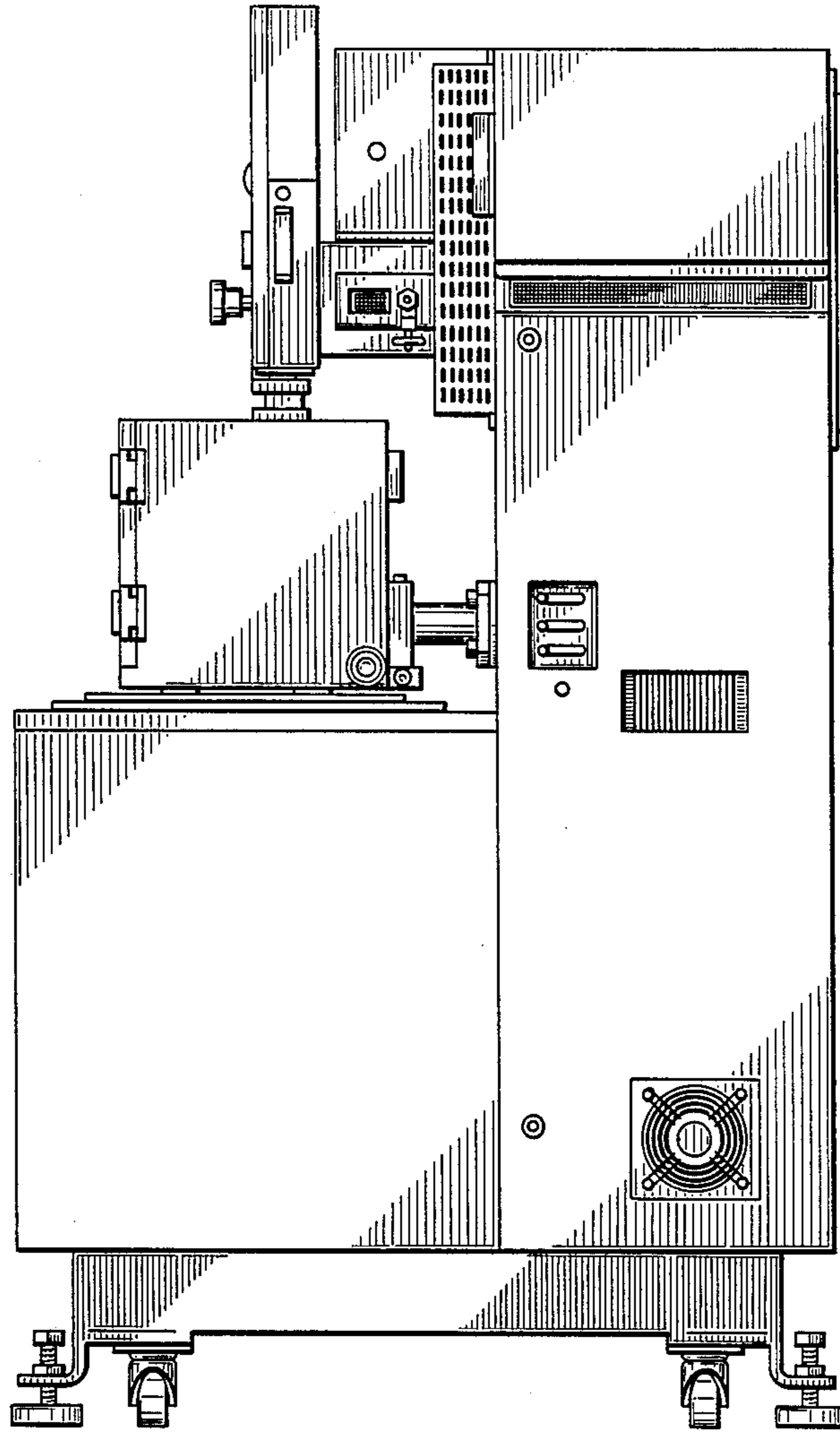


Fig. 2

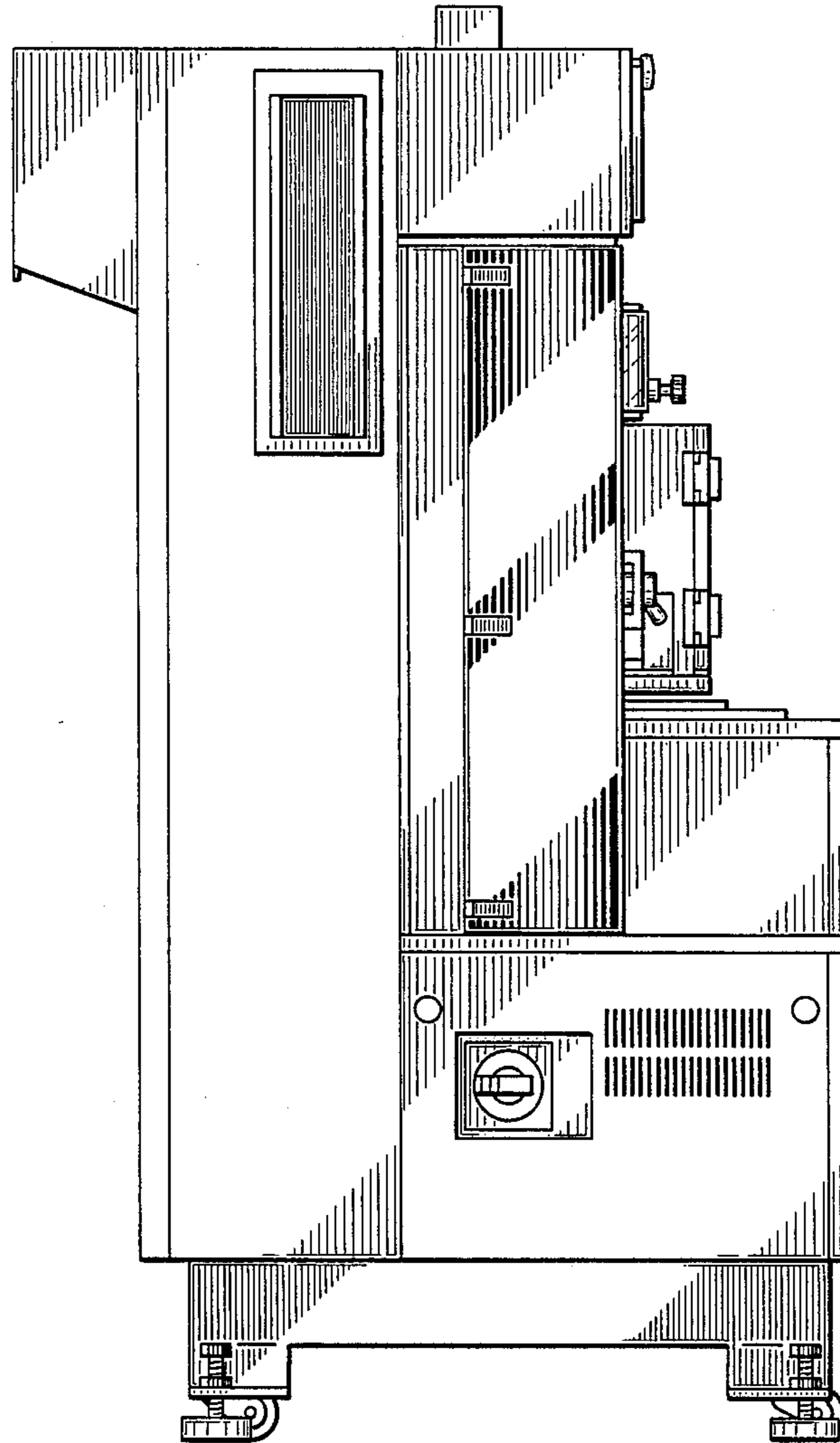


Fig. 3

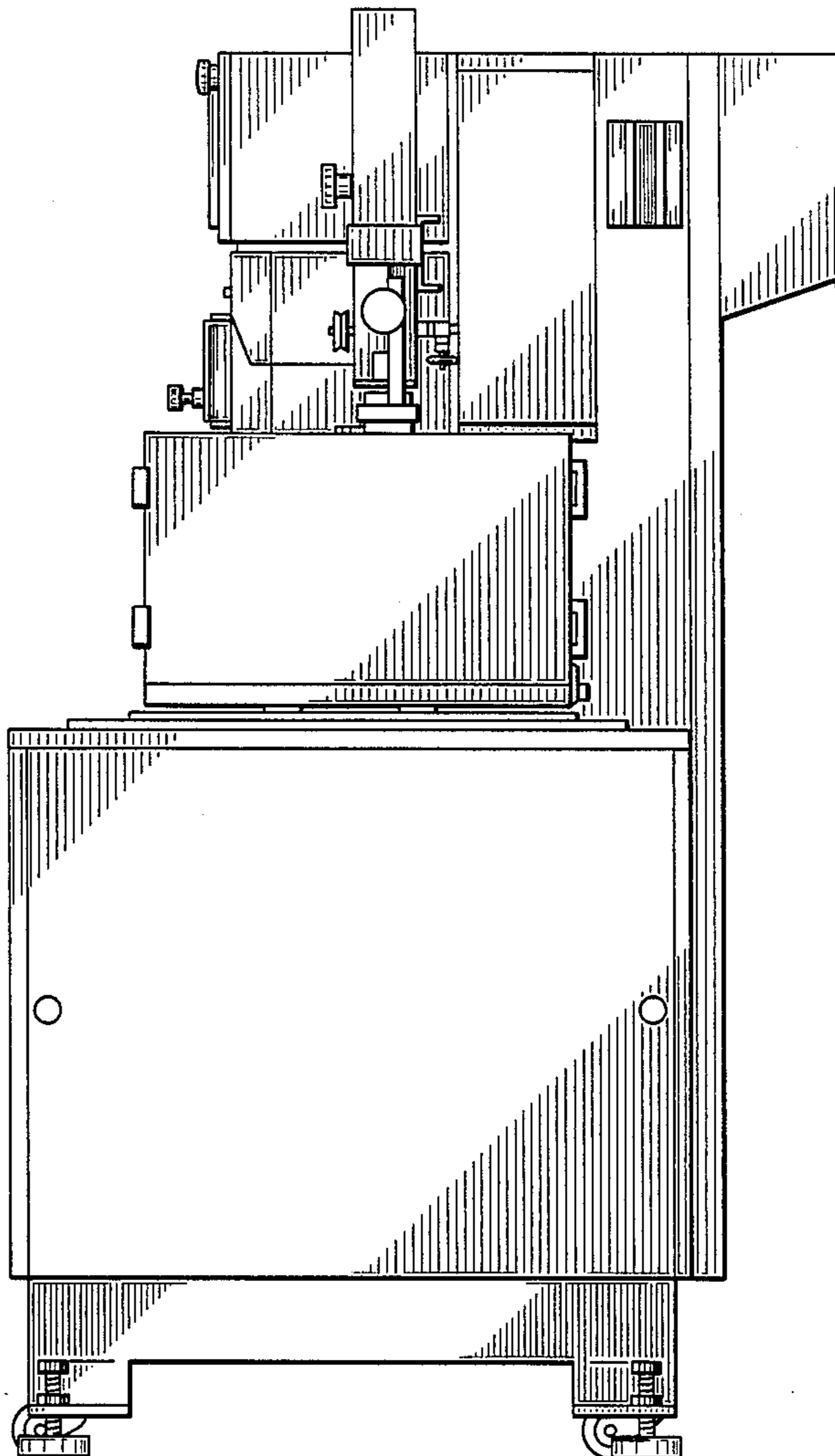


Fig. 4

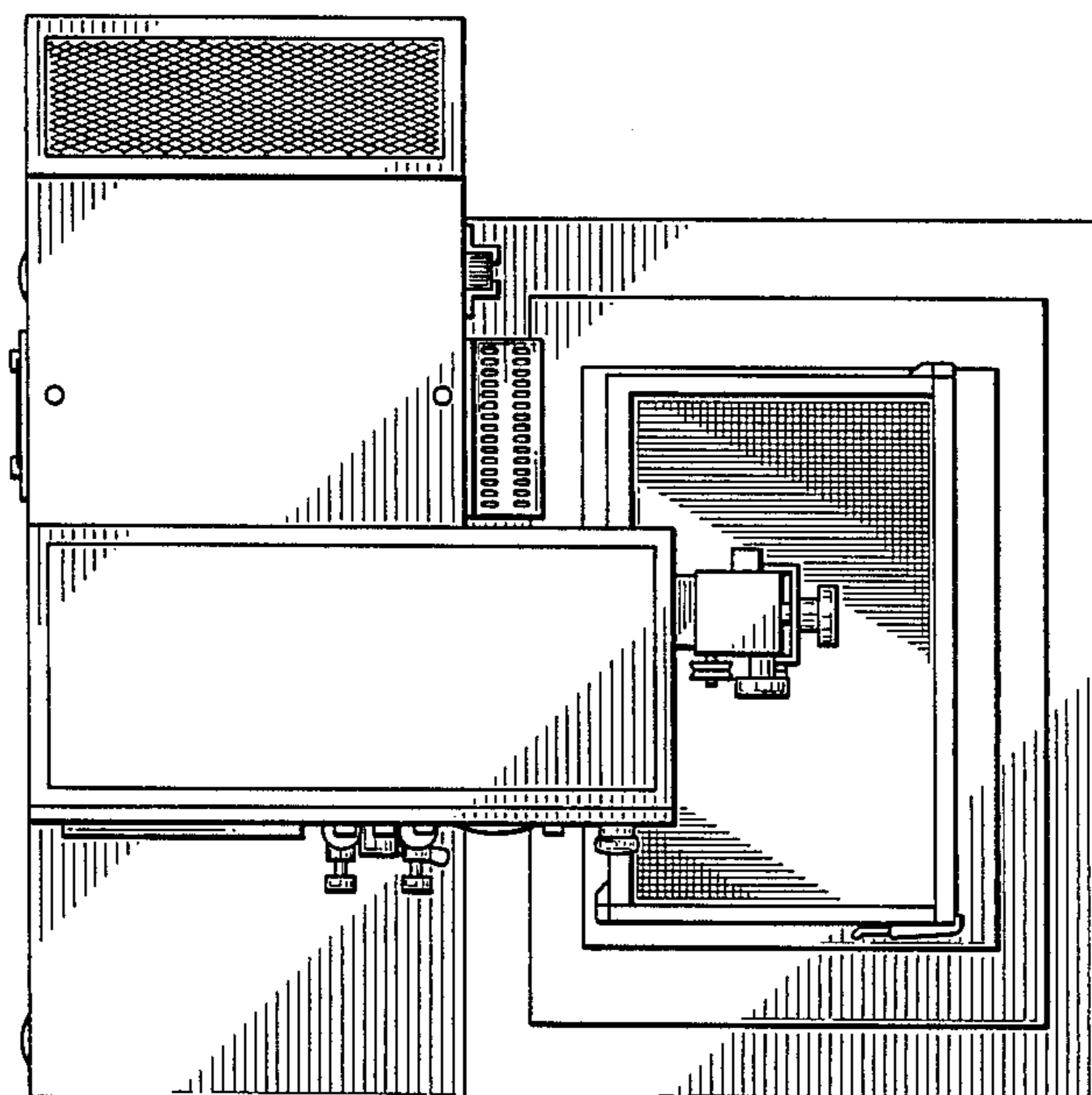


Fig. 5

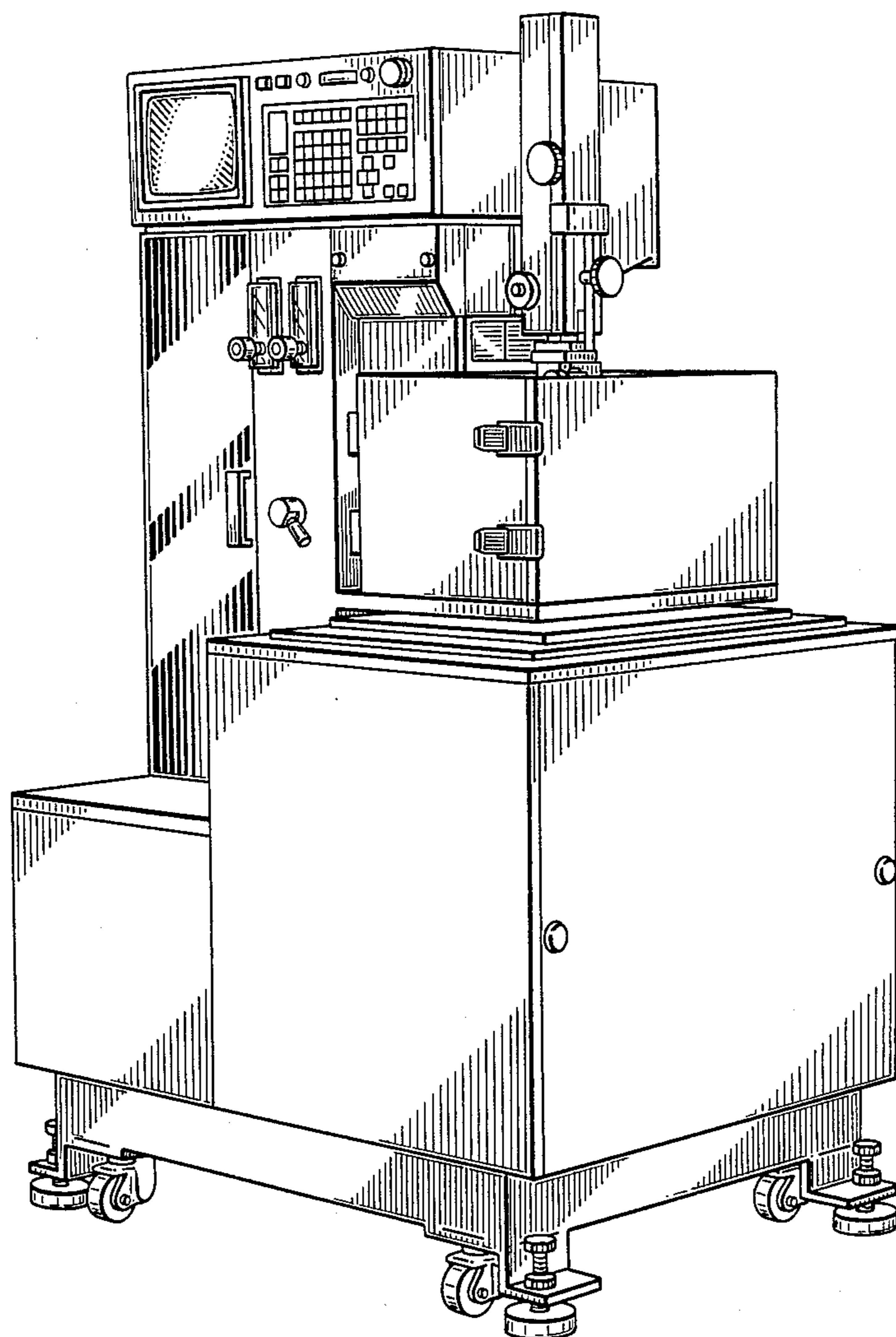


Fig. 6