

[54] **TRANSVERSE BAR FOR FRAMEWORK FOR SCREENING APPARATUS**

[75] **Inventor: William Rutherford, Islington, Australia**

[73] **Assignee: Fioris Pty. Ltd., Islington, Australia**

[**] **Term: 14 Years**

[21] **Appl. No.: 773,312**

[22] **Filed: Sep. 6, 1985**

[30] **Foreign Application Priority Data**

Mar. 13, 1985 [AU] Australia 620/85
[52] **U.S. Cl. D15/28**
[58] **Field of Search D15/10, 21, 28, 141; D25/119; 209/391, 393-395, 398-399, 403, 405, 408, 412, 414**

[56] **References Cited**

U.S. PATENT DOCUMENTS

29,933 1/1899 Hodge D15/21
D. 285,204 8/1986 Glancy D15/28

3,045,824 7/1962 Parks 209/412
3,565,251 2/1971 Pennington 209/405
4,120,784 10/1978 Hassall 209/399
4,526,682 6/1985 Wallace 209/399
4,661,245 4/1987 Rutherford et al. 209/399

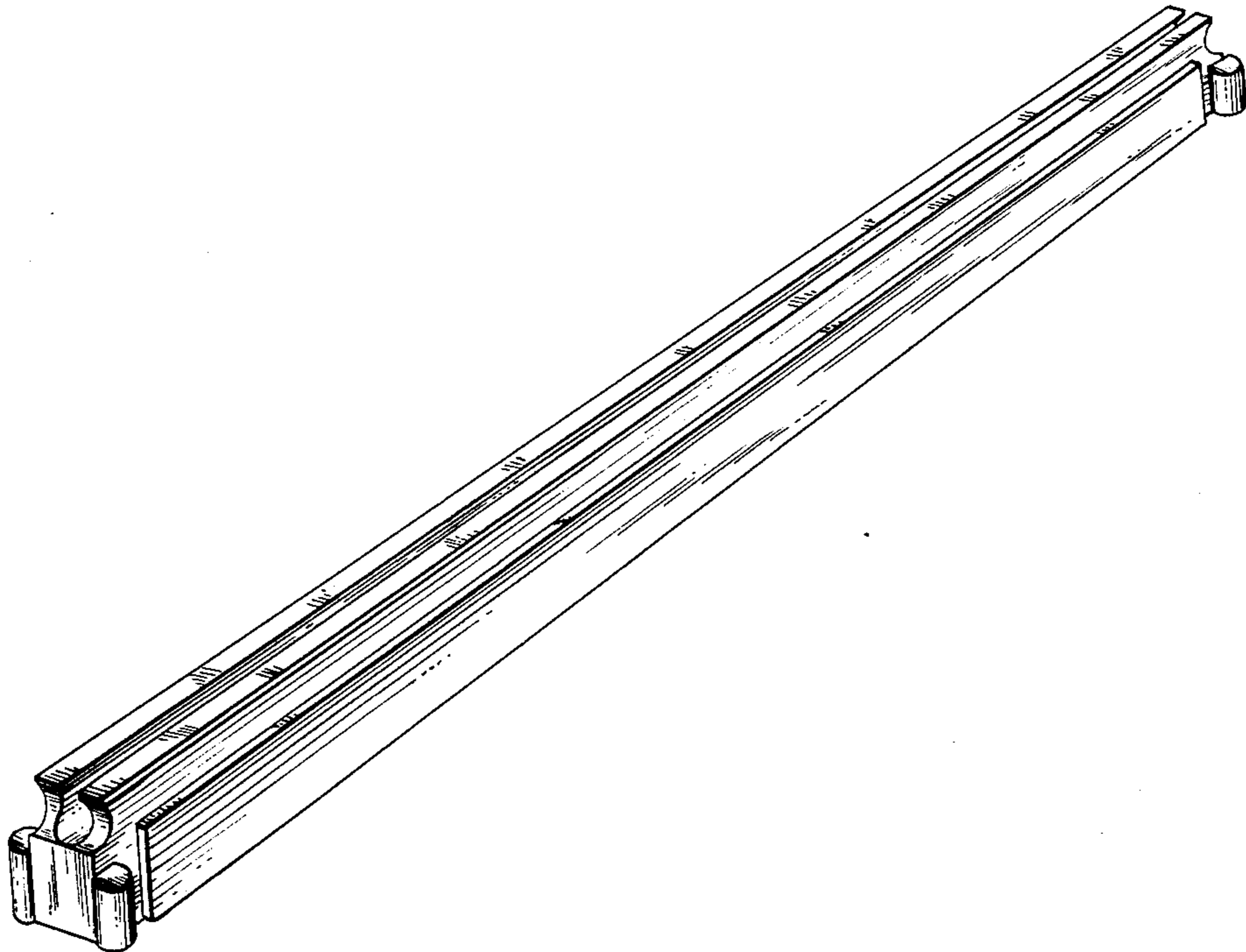
Primary Examiner—Bruce W. Dunkins
Assistant Examiner—Ruth Takemoto
Attorney, Agent, or Firm—Hopgood, Calimafde, Kalil, Blaustein & Judlowe

[57] **CLAIM**

The ornamental design for a transverse bar for framework for screening apparatus, as shown.

DESCRIPTION

FIG. 1 is a perspective view of a transverse bar showing my new design;
FIG. 2 is a left end elevational view thereof;
FIG. 3 is a right end elevational view thereof;
FIG. 4 is a top plan view thereof;
FIG. 5 is a bottom plan view thereof; and
FIG. 6 is a front elevational view thereof, the rear view being identical.



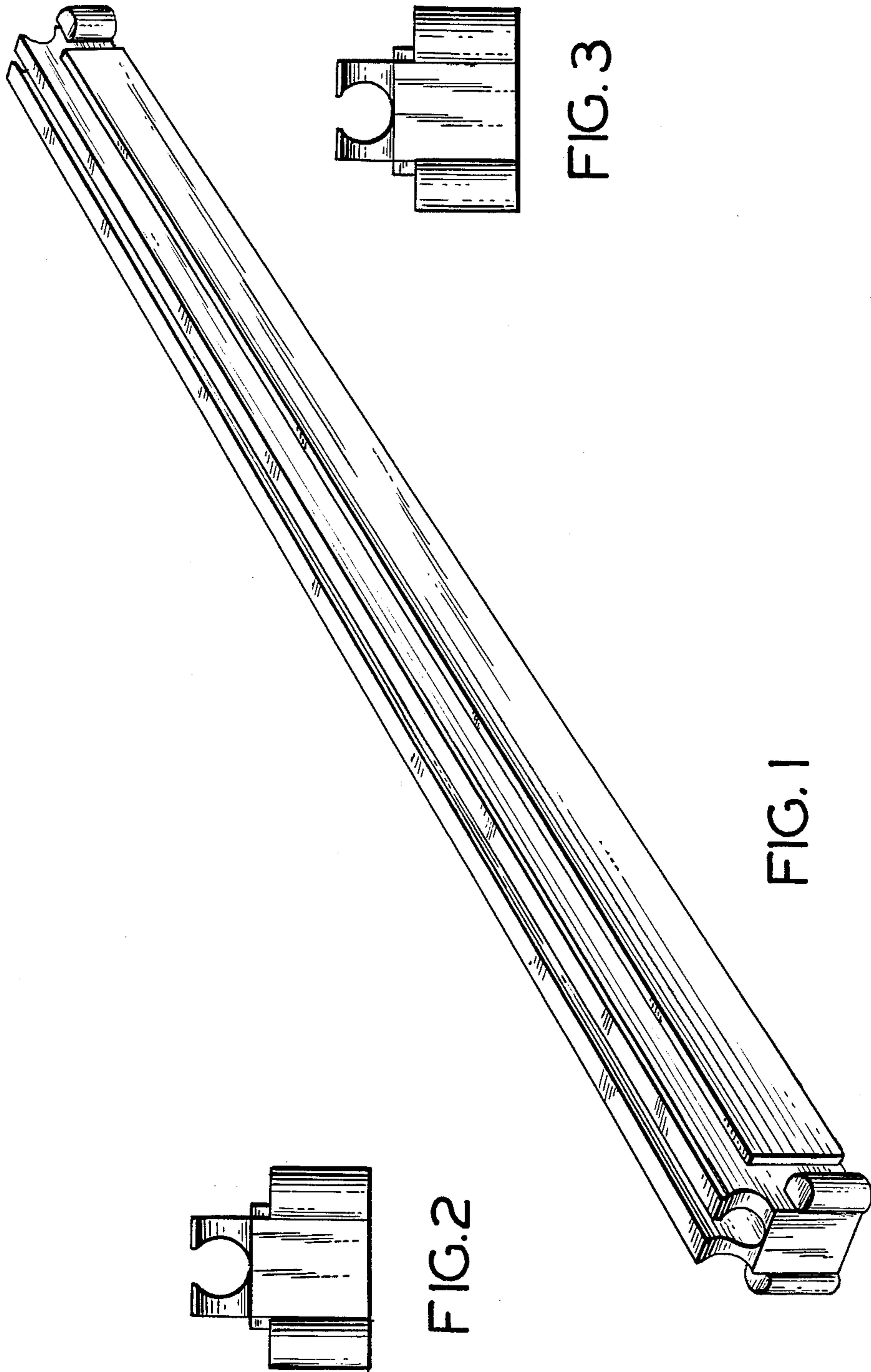


FIG. 3

FIG. 1

FIG. 2

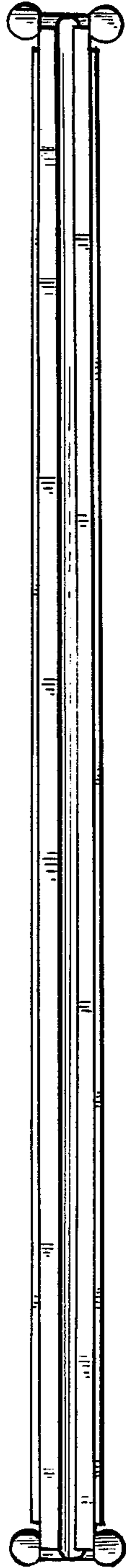


FIG. 4

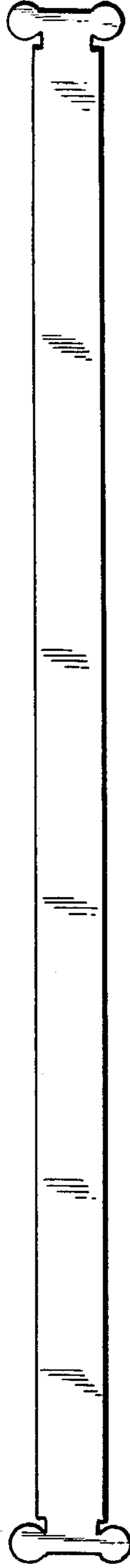


FIG. 5



FIG. 6