

[54] SPEAKER GRILLE AND KEYPAD FOR A PORTABLE RADIO OR SIMILAR ARTICLE

D. 295,404 4/1988 Tokiyama ..... D14/68  
4,718,110 1/1988 Schaefer ..... 455/351 X

[75] Inventors: Craig F. Siddoway, Ft. Lauderdale;  
Richard J. Toth, Boca Raton;  
Stephen M. Stanton, Sunrise, all of Fla.

OTHER PUBLICATIONS

Motorola, "MT 500", Series Data Sheet, Copyright 1982.  
Motorola, Stx Series Brochure, Copyright 1986.

[73] Assignee: Motorola, Inc., Schaumburg, Ill.

Primary Examiner—Melvin B. Feifer  
Assistant Examiner—Theodore M. Shooman  
Attorney, Agent, or Firm—Daniel K. Nichols

[\*\*] Term: 14 Years

[21] Appl. No.: 923,698

[57] CLAIM

[22] Filed: Oct. 27, 1986

The ornamental design for a speaker grille and keypad for a portable radio or similar article, as shown and described.

[52] U.S. Cl. .... D14/257; D14/137

[58] Field of Search ..... D14/1, 5, 6, 68-77,  
D14/80-81; 455/344, 347, 350, 351, 73, 89, 90

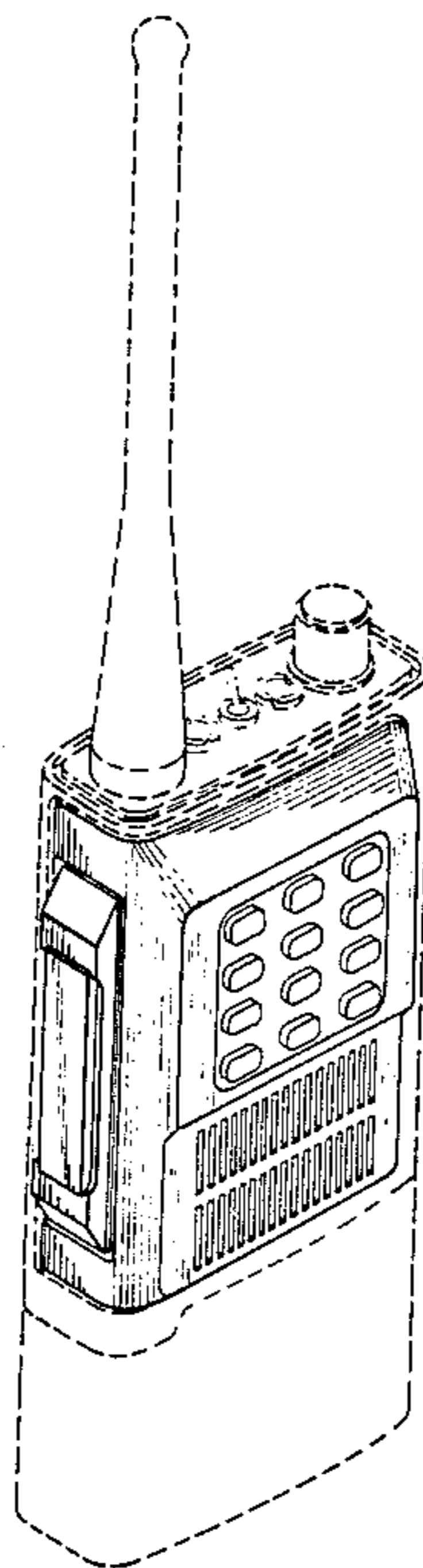
DESCRIPTION

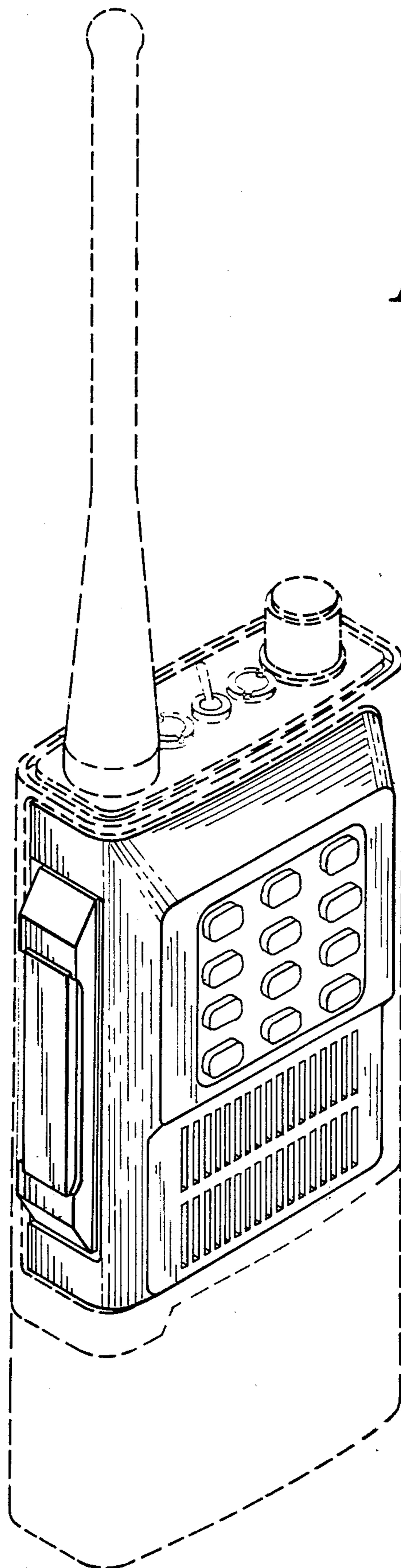
[56] References Cited

U.S. PATENT DOCUMENTS

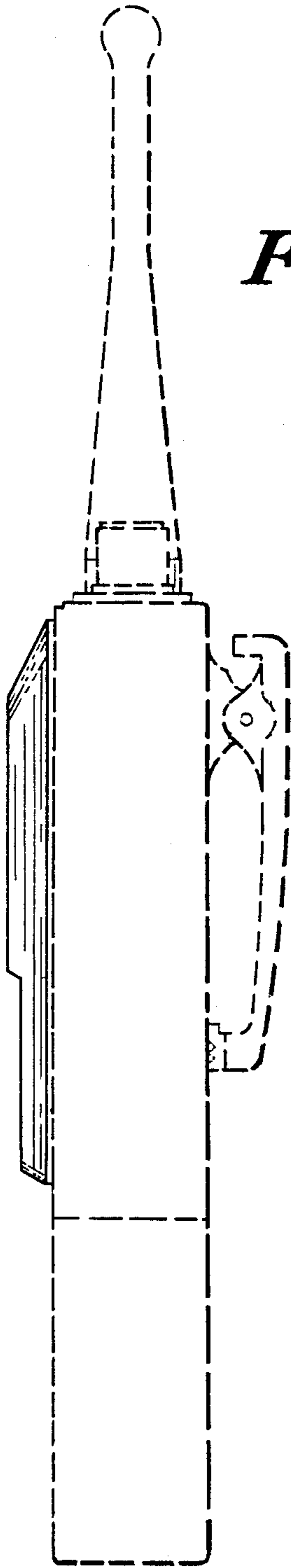
- D. 259,564 6/1981 Huntington ..... D14/70 X
- D. 272,737 2/1984 Coons et al. .... D14/68
- D. 276,159 10/1984 Huntington ..... D14/72
- D. 280,620 9/1985 Toth et al. .... D14/70
- D. 282,660 2/1986 Imazeki ..... D14/68
- D. 282,661 2/1986 Imazeki ..... D14/68
- D. 290,842 7/1987 Scheid et al. .... D14/68

FIG. 1 is a front, top and left side perspective view of a speaker grille and keypad for a portable radio or similar article showing our new design;  
FIG. 2 is a right side elevational view thereof;  
FIG. 3 is a rear elevational view thereof;  
FIG 4 is a bottom plan view thereof;  
The broken line showing of the portable radio is for illustrative purposes only and forms no part of the claimed design.



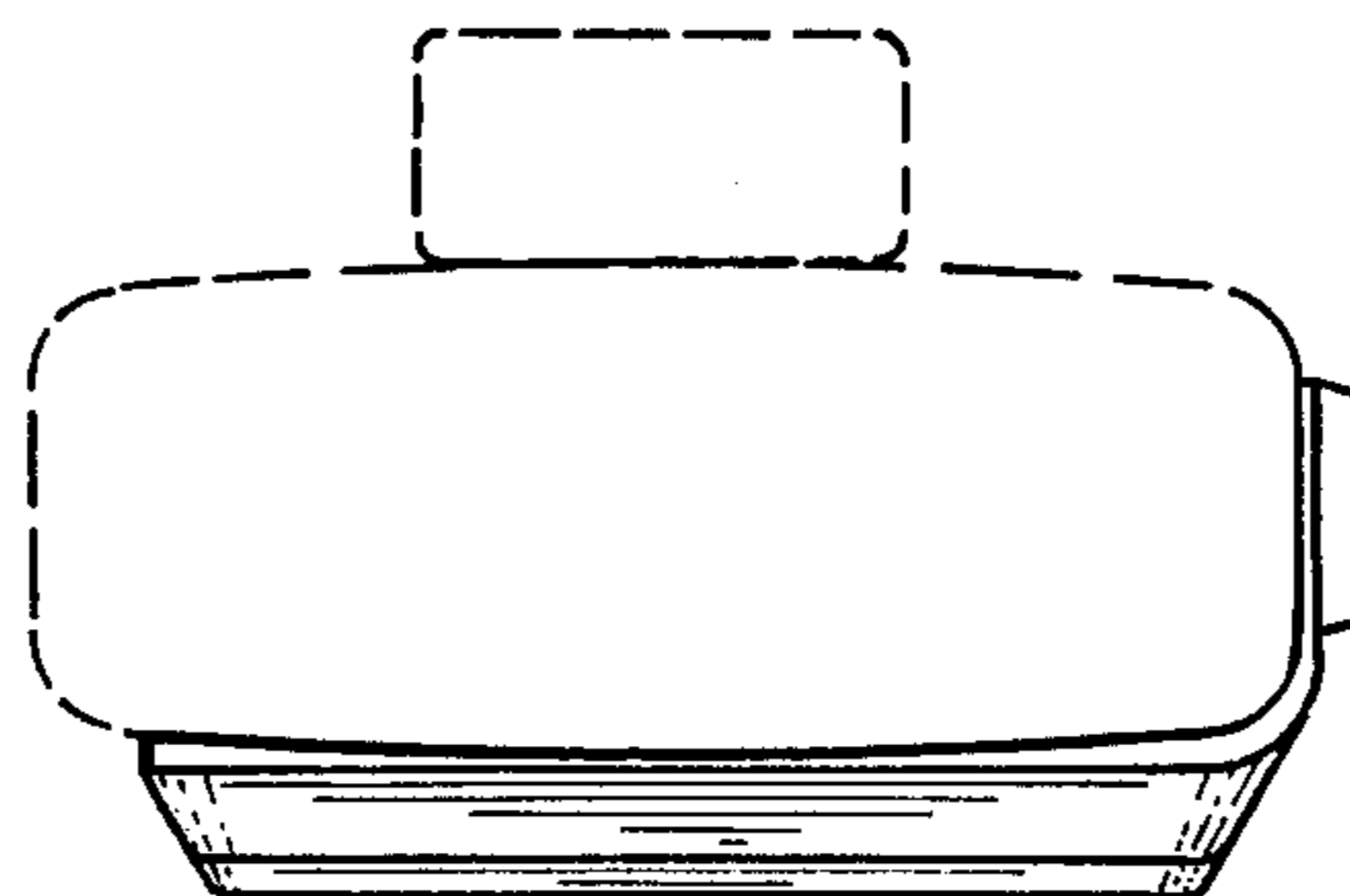
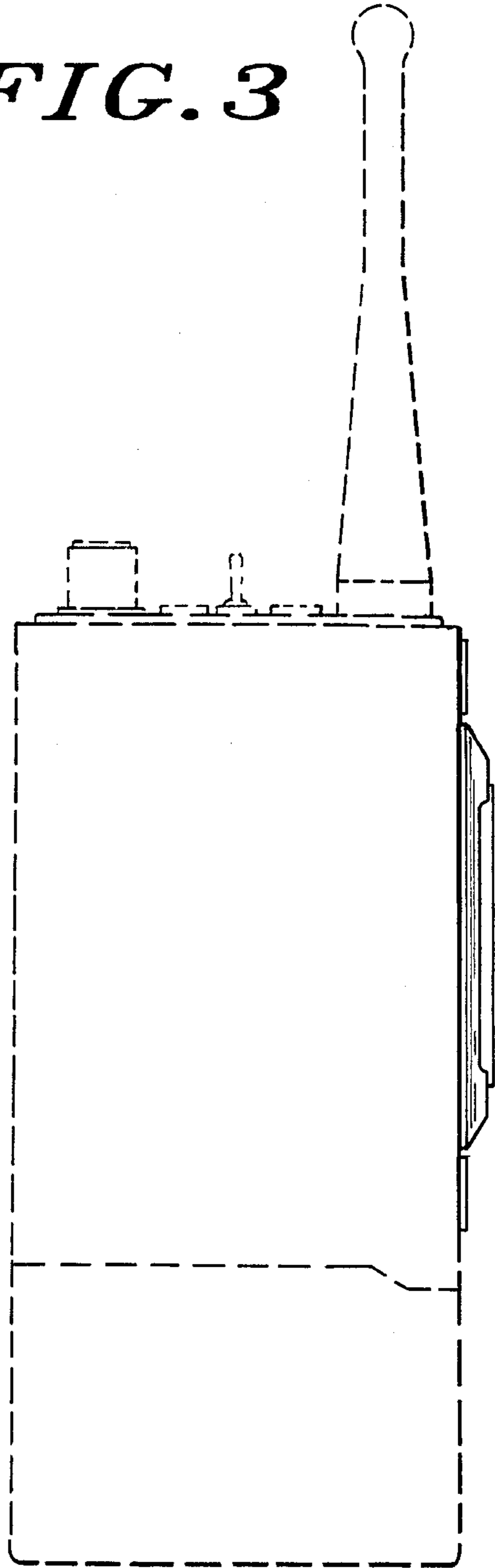


*FIG. 1*



*FIG. 2*

*FIG. 3*



*FIG. 4*