

[54] MOUNT FOR A CELLULAR ANTENNA

[75] Inventor: Yoshimi Egashira, Sagamihara, Japan

[73] Assignee: Harada Kogyo Kabushiki Kaisha, Tokyo, Japan

[\*\*] Term: 14 Years

[21] Appl. No.: 846,722

[22] Filed: Apr. 1, 1986

[52] U.S. Cl. .... D14/238

[58] Field of Search ..... D14/86-91, D14/99, 230, 237, 238; 343/907, 915, 916

[56] References Cited

U.S. PATENT DOCUMENTS

D. 158,122	4/1950	Pennington	.....	D14/238
D. 174,174	3/1955	Grafman et al.	.....	D14/238
D. 272,537	2/1984	Spycher	.....	D14/238
D. 279,473	7/1985	Hochstetler et al.	.....	D14/238
D. 281,779	12/1985	Lilly	.....	D14/230
D. 286,043	10/1986	Peterson	.....	D14/86 X
D. 294,702	3/1988	Yoder	.....	D14/238

Primary Examiner—Melvin B. Feifer  
Assistant Examiner—Theodore M. Shooman  
Attorney, Agent, or Firm—Koda and Androlia

[57] CLAIM

The ornamental design for a mount for a cellular antenna, as shown and described.

DESCRIPTION

FIG. 1 is a front, top and right side perspective view of a mount for a cellular antenna showing my new design; FIG. 2 is a rear, top and left side perspective view thereof;

FIG. 3 is a rear elevational view thereof;

FIG. 4 is a left side elevational view thereof;

FIG. 5 is a top plan view thereof, the bottom being a mirror image;

FIG. 6 is a front elevational view thereof; and

FIG. 7 is an elevational view thereof, looking along line 7—7 of FIG. 5; and,

FIG. 8 is an elevational view thereof, looking along line 8—8 of FIG. 5.

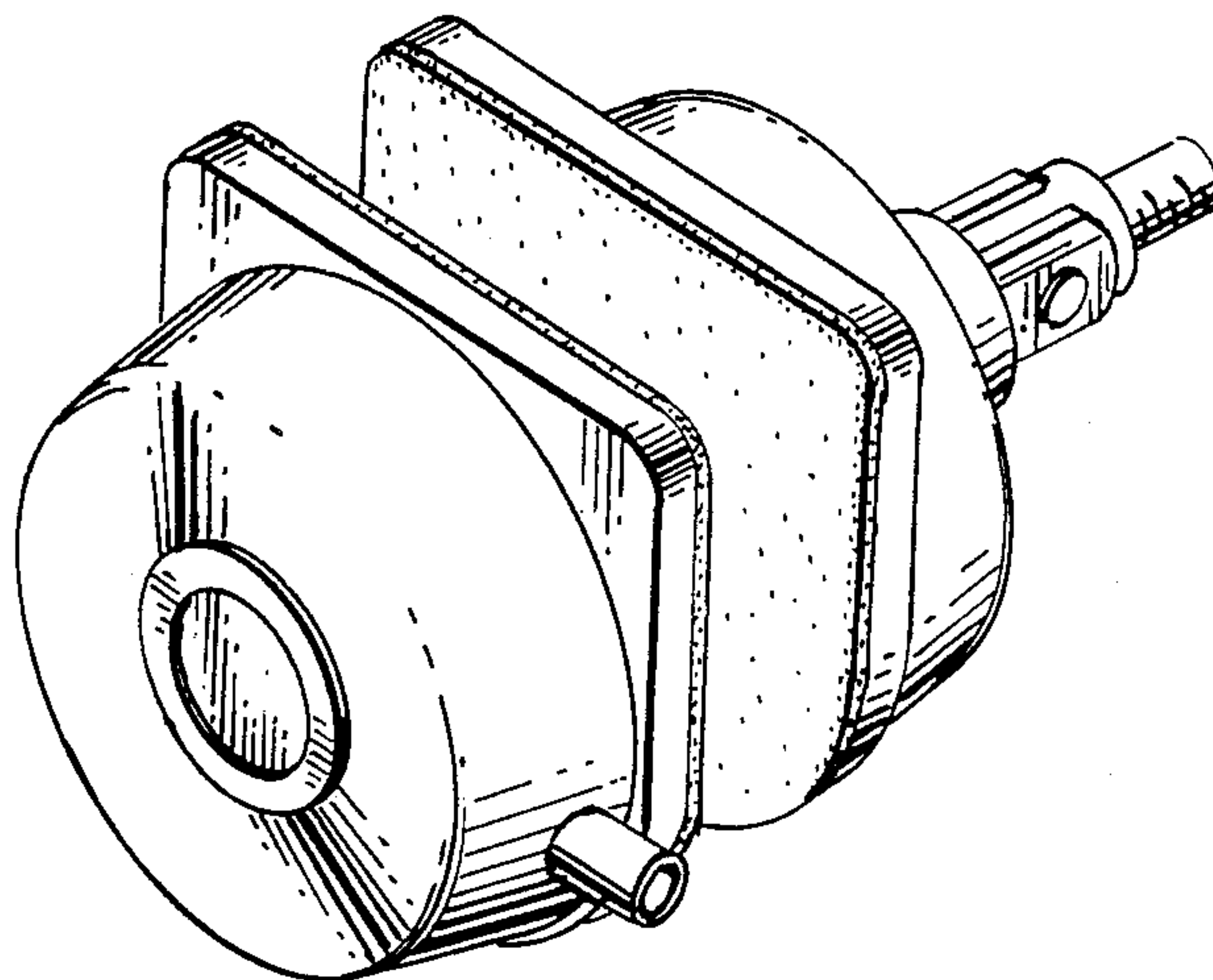


FIG. 1

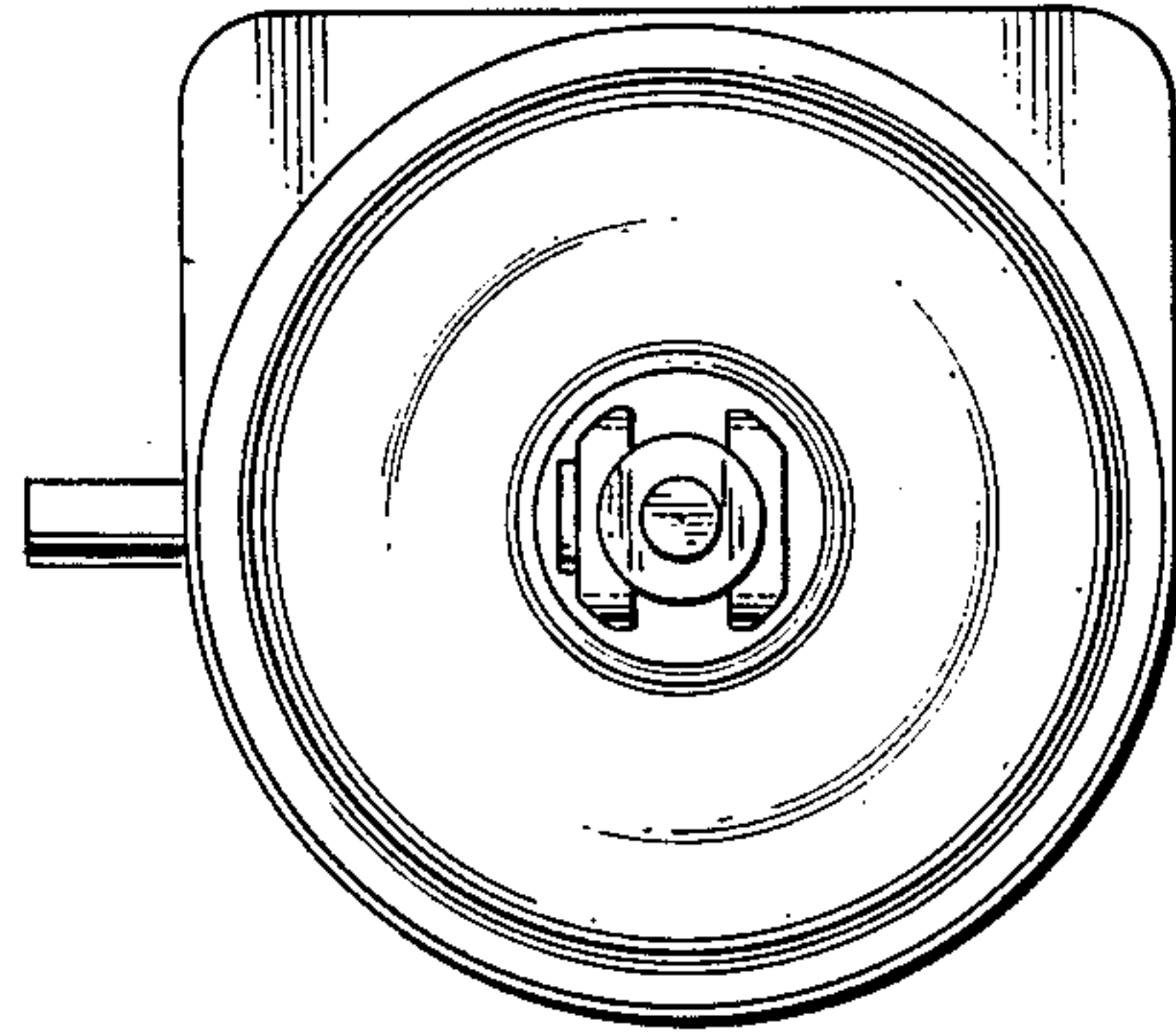
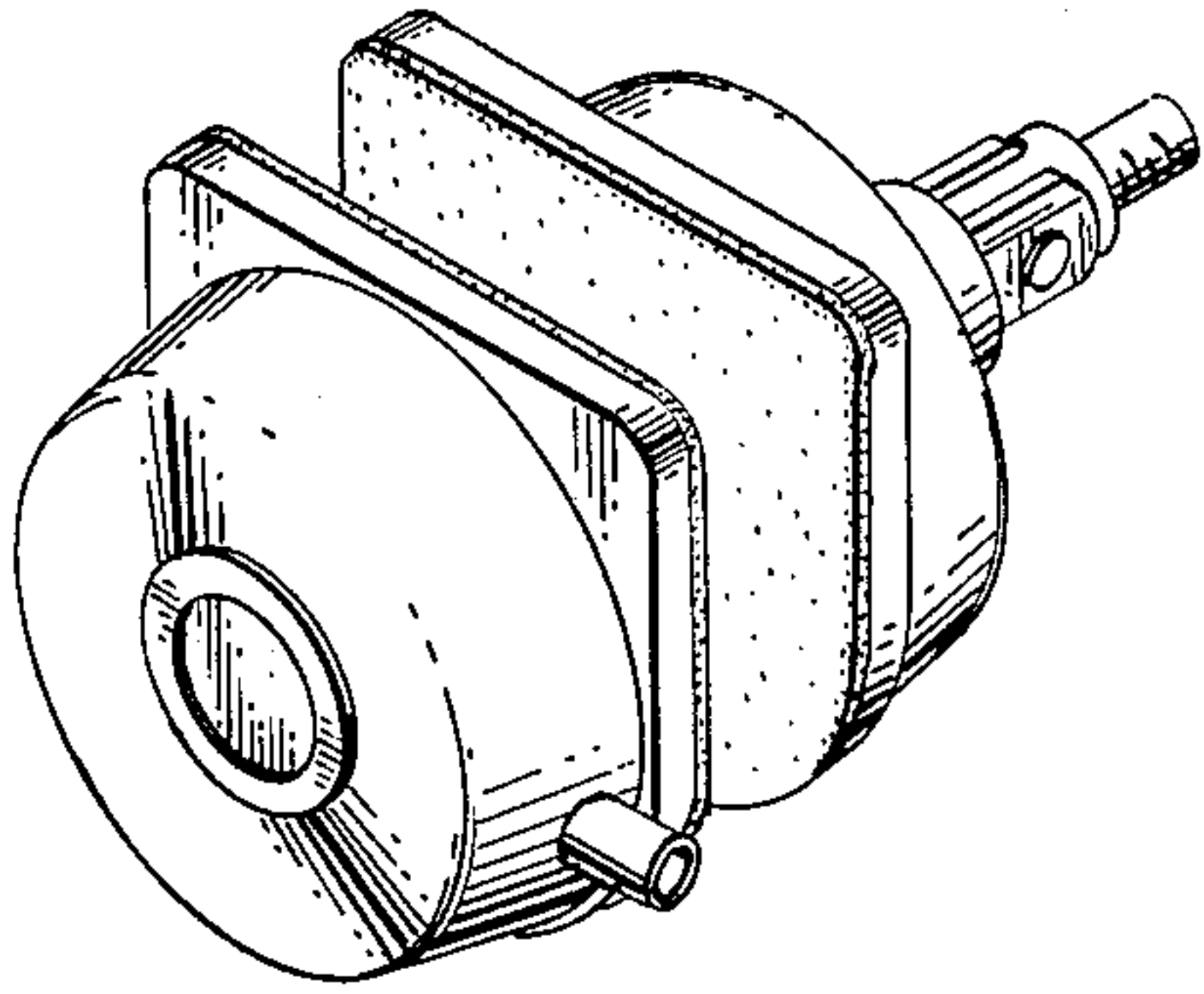


FIG. 3

FIG. 2

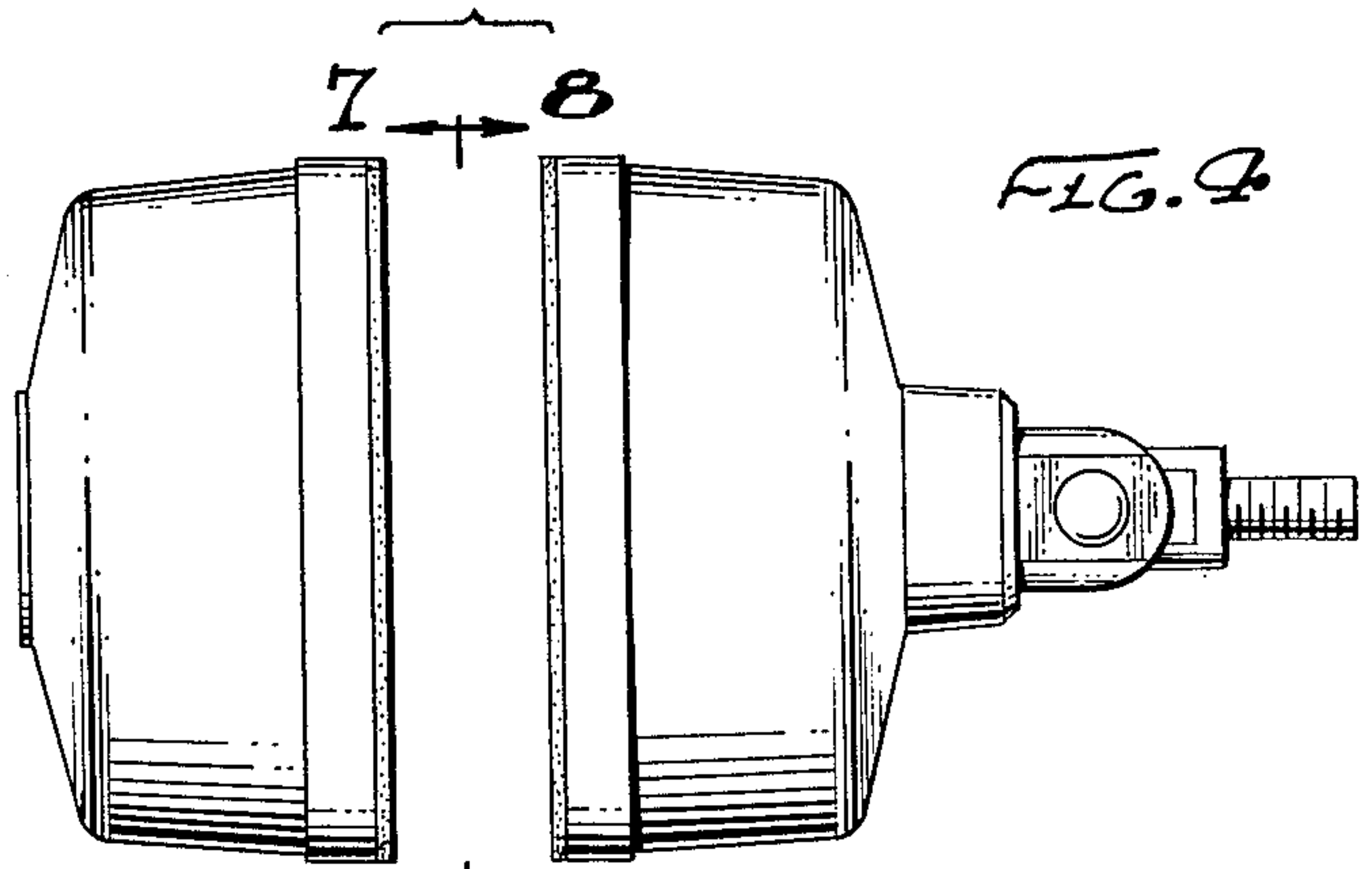
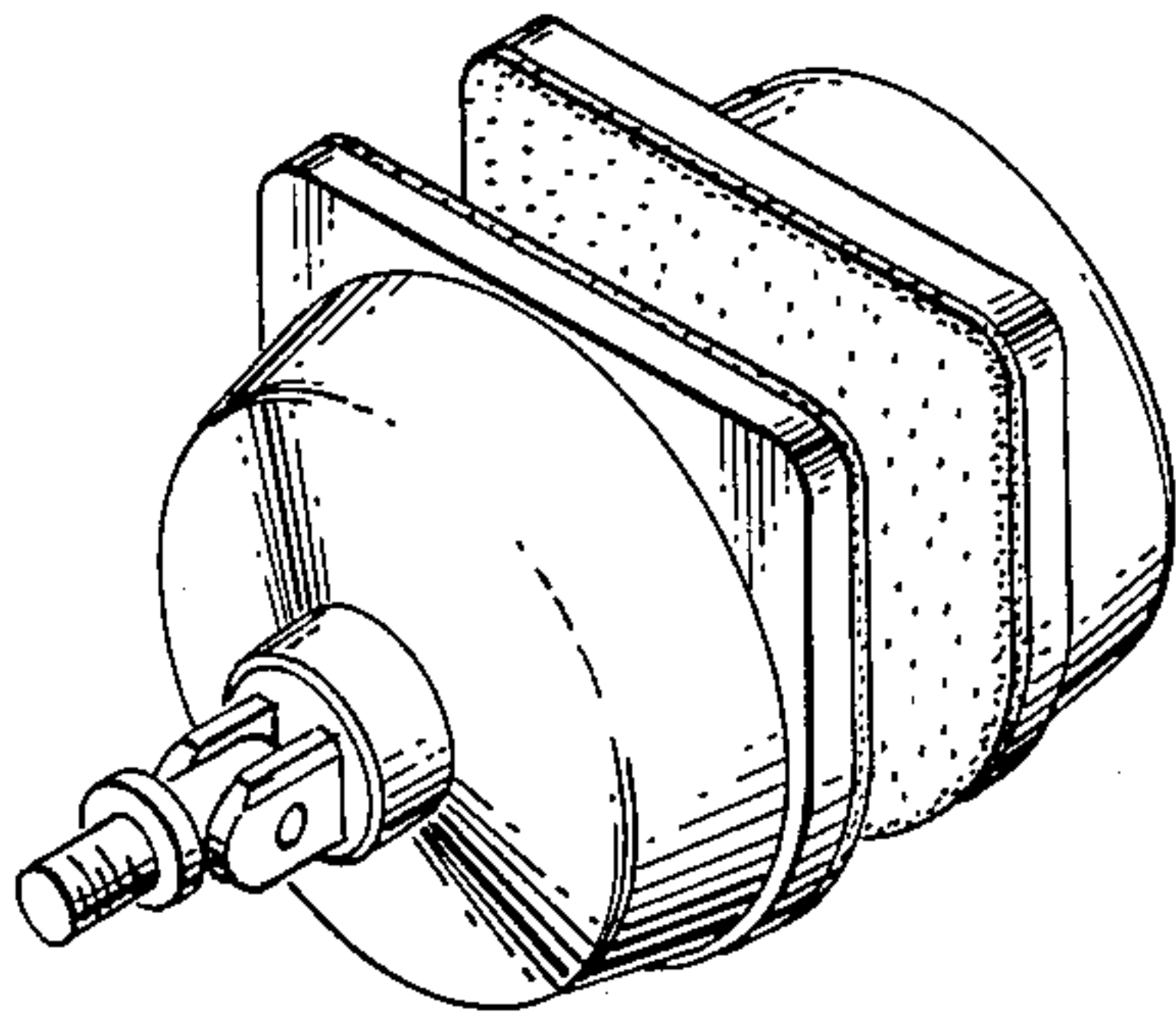
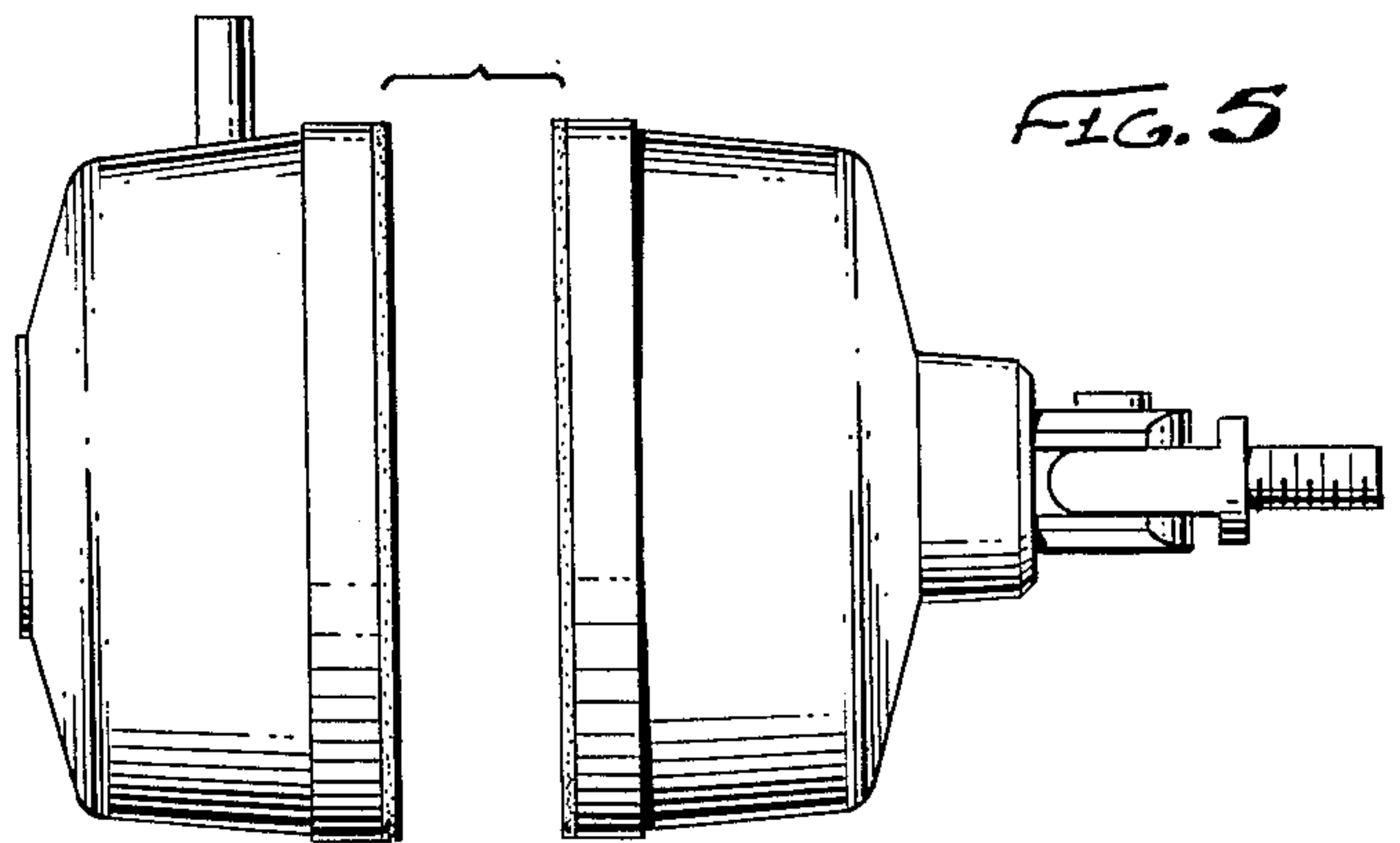


FIG. 4

7-8

FIG. 5



7-8

FIG. 7

FIG. 8

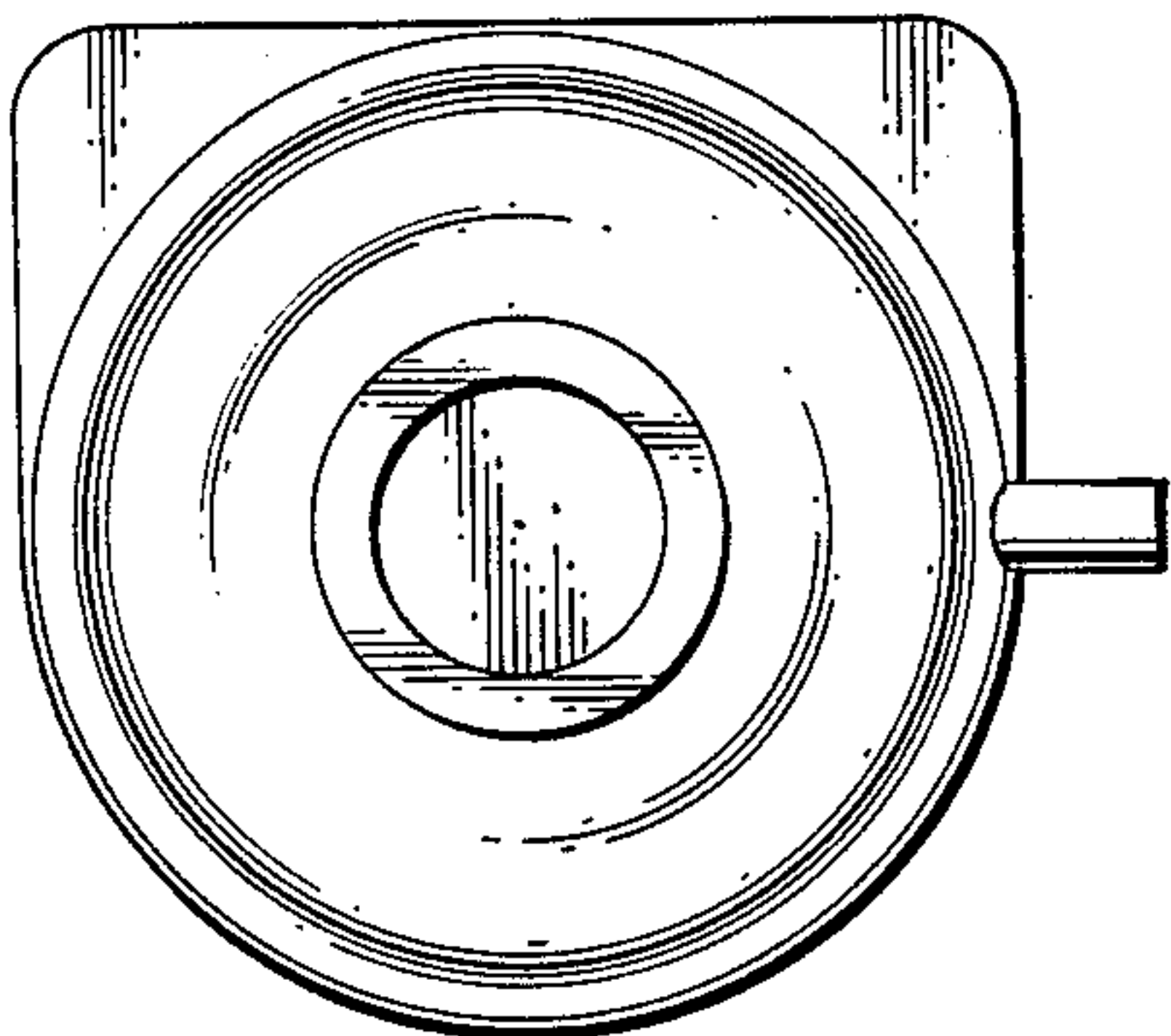


FIG. 6

