

[54] **TELEPHONE HANDSET**  
 [75] **Inventor: Takei Yoshiharu, Shatin, Hong Kong**  
 [73] **Assignee: Tasca International Ltd., Kowloon, Hong Kong**  
 [\*\*] **Term: 14 Years**  
 [21] **Appl. No.: 109,429**  
 [22] **Filed: Oct. 16, 1987**  
 [30] **Foreign Application Priority Data**  
 Jun. 19, 1987 [GB] United Kingdom ..... 1042959  
 [52] **U.S. Cl. .... D14/143; D14/248; D14/249**  
 [58] **Field of Search ..... D14/52, 53, 63, 64; 379/433, 434, 436, 428, 440, 419; D21/214**

D. 285,682 9/1986 Lee ..... D21/111 X  
 D. 291,562 8/1987 Lee ..... D14/63 X  
 D. 291,570 8/1987 Basch ..... D14/64  
 D. 292,799 11/1987 Falcone ..... D14/64  
 D. 298,370 11/1988 Westerbeek ..... D14/69 X  
 1,605,551 11/1926 Mattern ..... D21/214 X  
 1,651,843 12/1927 Sime ..... D21/214 X  
 2,639,804 5/1953 Merohn ..... D21/214 X

**OTHER PUBLICATIONS**

Premium Practice, 9/1965 at p. 209: North Amer. Foreign Trading Co., ad showing (1) Golf Clug Radio (2) Baseball Radio.  
 Shakespeare Sporting Goods Division, advt. brochure, showing of 3 Wood Clubs.  
*Primary Examiner*—Horace B. Fay, Jr.  
*Attorney, Agent, or Firm*—Wolf, Greenfield & Sacks

[56] **References Cited**  
**U.S. PATENT DOCUMENTS**

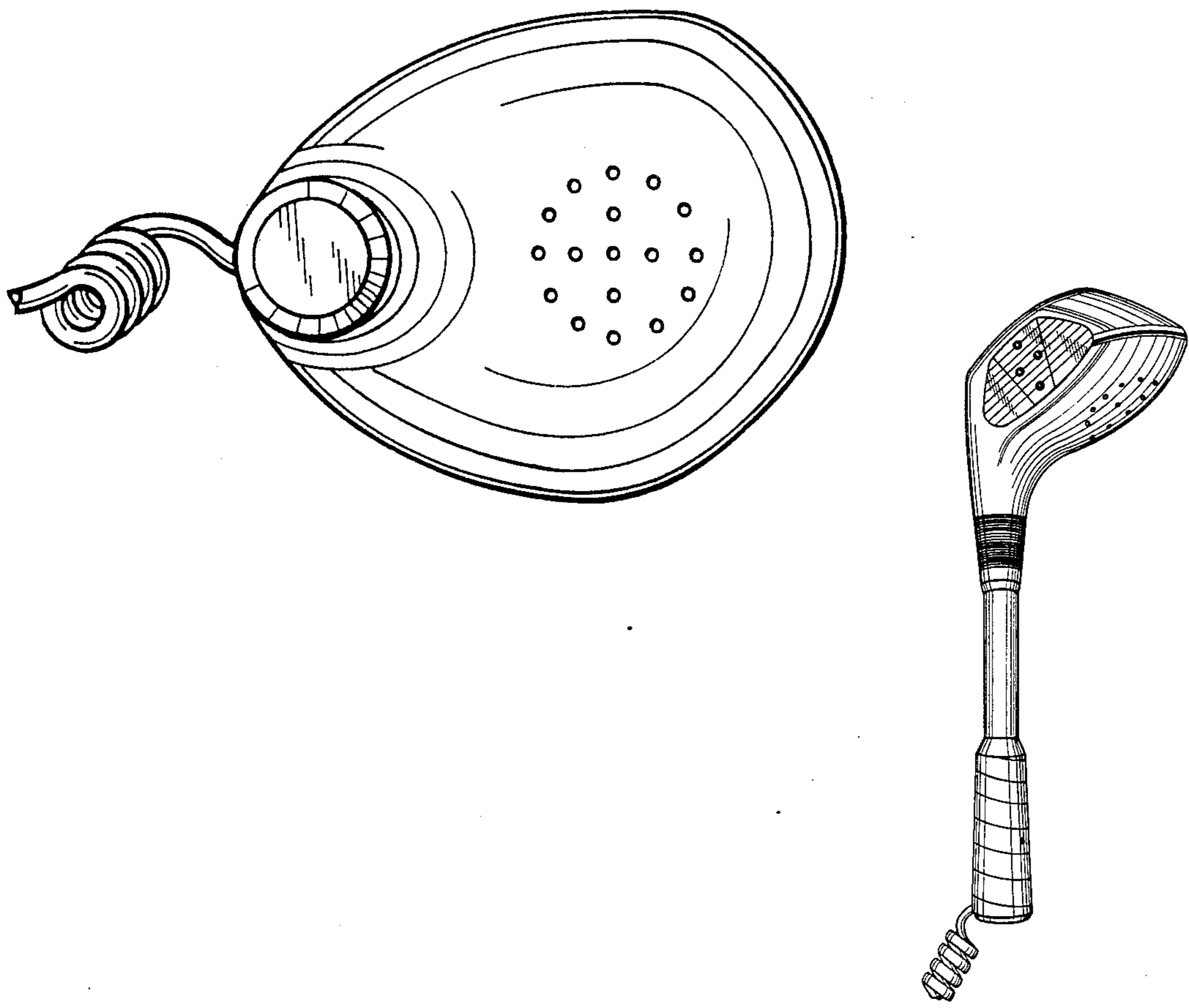
D. 187,401 3/1960 Whittle ..... D21/214 X  
 D. 191,173 8/1961 Mizjewski ..... D21/214 X  
 D. 210,416 3/1968 Hitsuoka ..... D14/69  
 D. 239,324 3/1976 Voug ..... D14/69  
 D. 240,748 7/1976 Bock ..... D21/214  
 D. 243,061 1/1977 Coupe ..... D21/214 X  
 D. 243,778 3/1977 Raymont ..... D21/214  
 D. 253,778 12/1979 Madison ..... D21/214  
 D. 261,507 10/1981 Thomas ..... D11/157 X  
 D. 270,899 10/1983 Huang ..... D10/2  
 D. 279,557 7/1985 Mcdunkin ..... D11/157  
 D. 282,735 2/1986 Tizzard ..... D14/53  
 D. 283,874 5/1986 Fontannaz ..... D11/157 X  
 D. 285,556 9/1986 Ling ..... D14/64 X

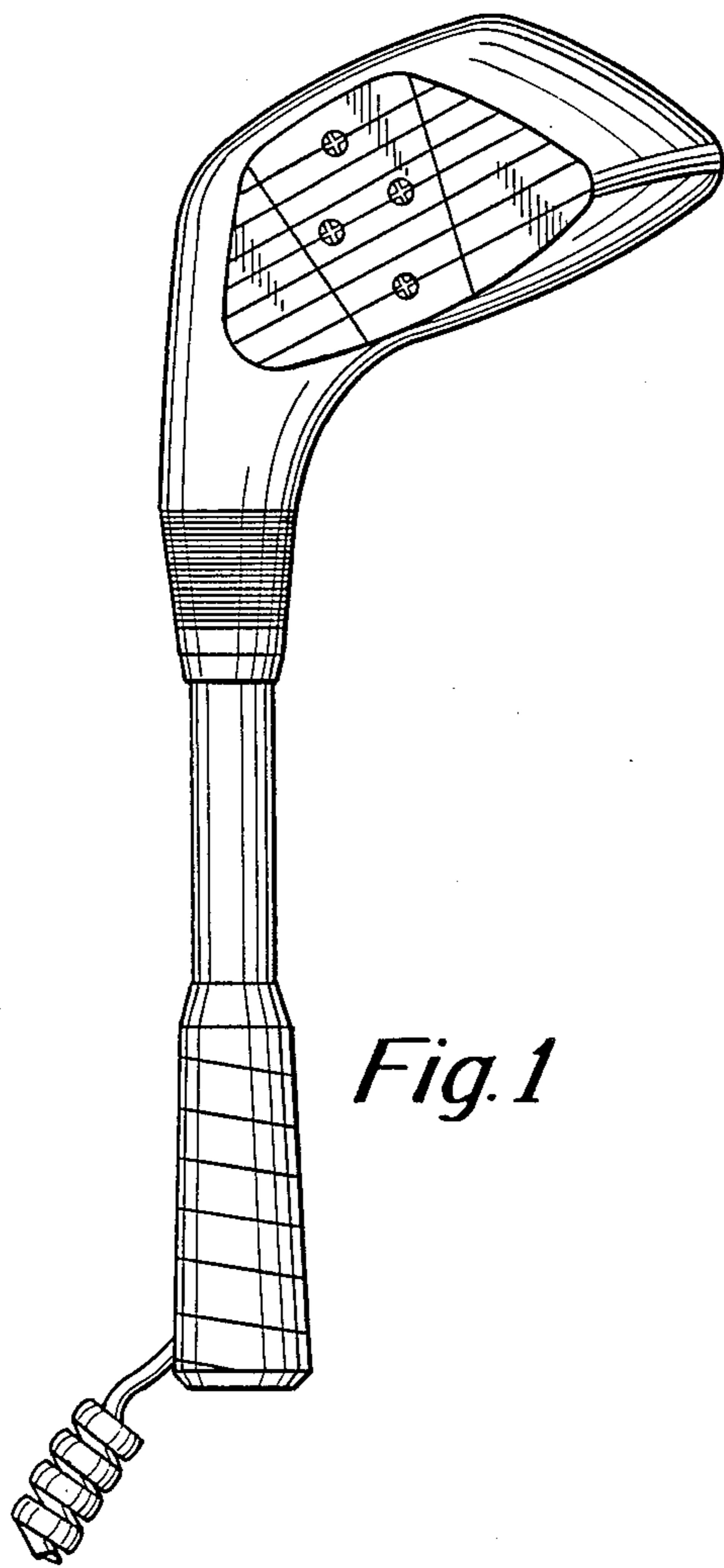
[57] **CLAIM**

The ornamental design for a telephone handset, as shown and described.

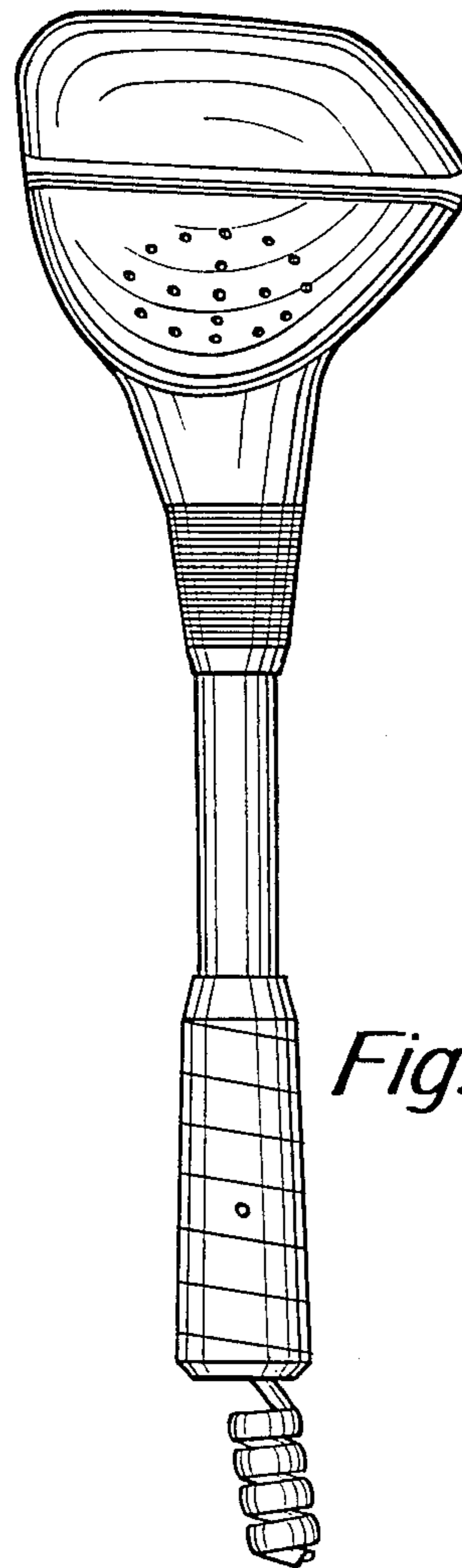
**DESCRIPTION**

FIG. 1 is a left side elevational view of a telephone handset showing my new design;  
 FIG. 2 is a front elevational view thereof;  
 FIG. 3 is a top plan view thereof;  
 FIG. 4 is right side elevational view thereof;  
 FIG. 5 is a rear elevational view thereof;  
 FIG. 6 is a bottom plan view thereof; and  
 FIG. 7 is a perspective view thereof.  
 The showing of an electric cord in abbreviated form in the sundry figures is for facility of illustration.

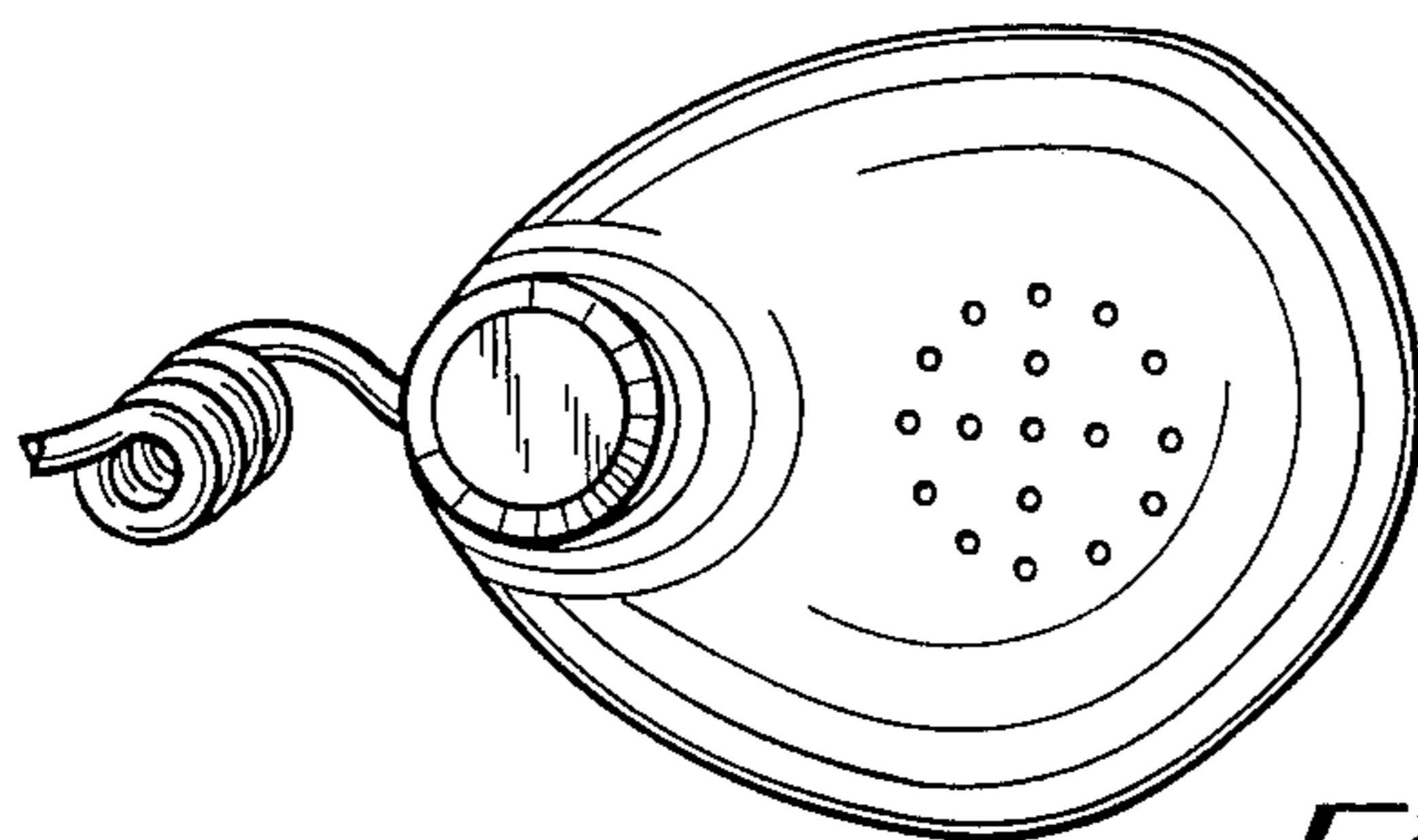




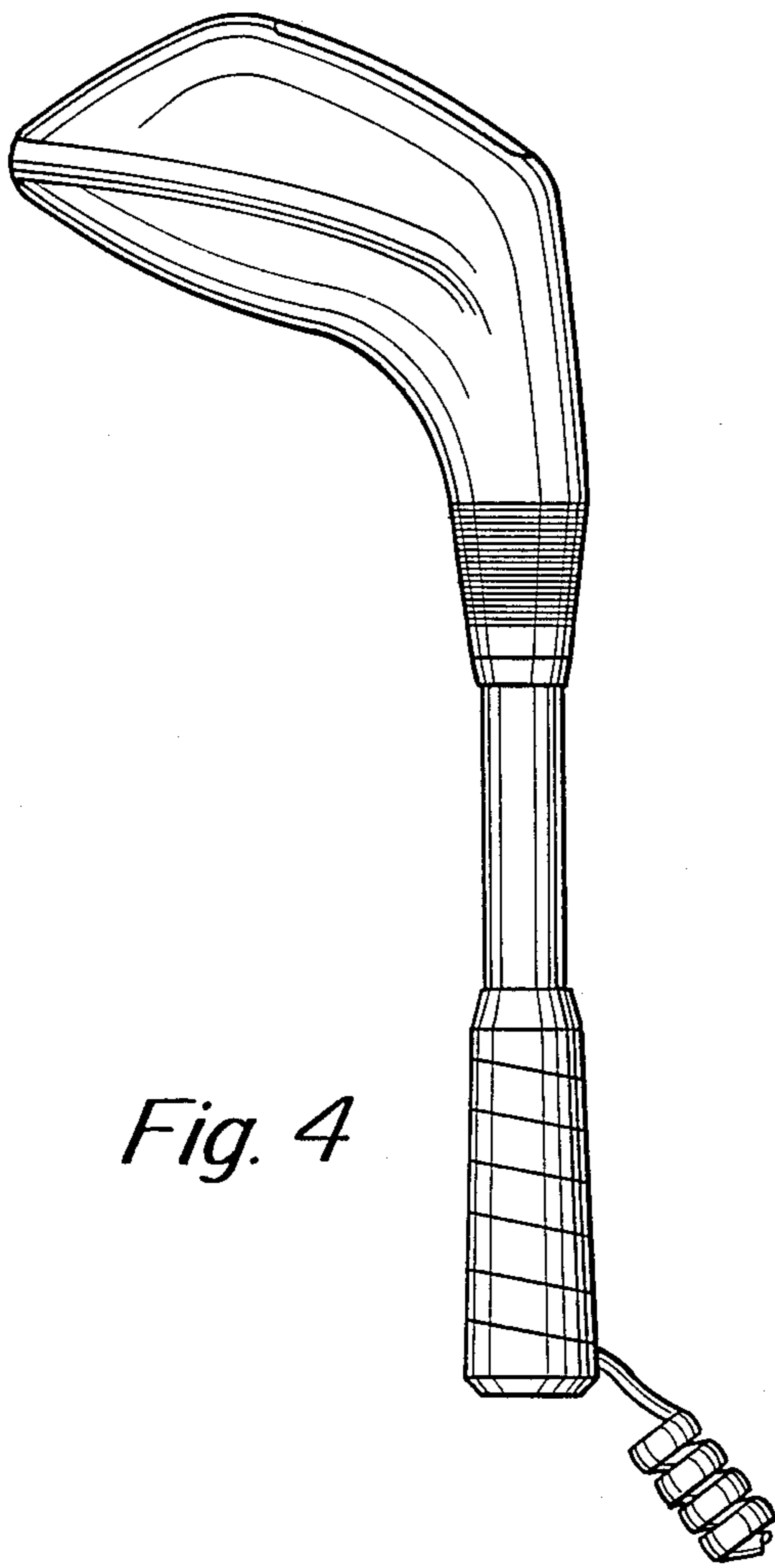
*Fig. 1*



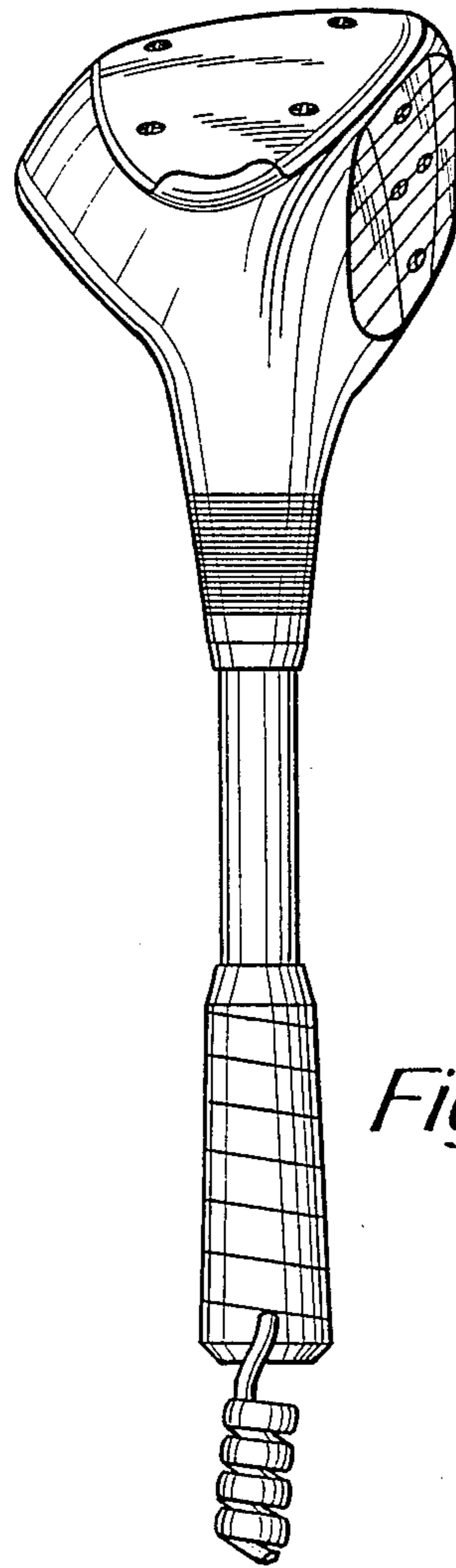
*Fig. 2*



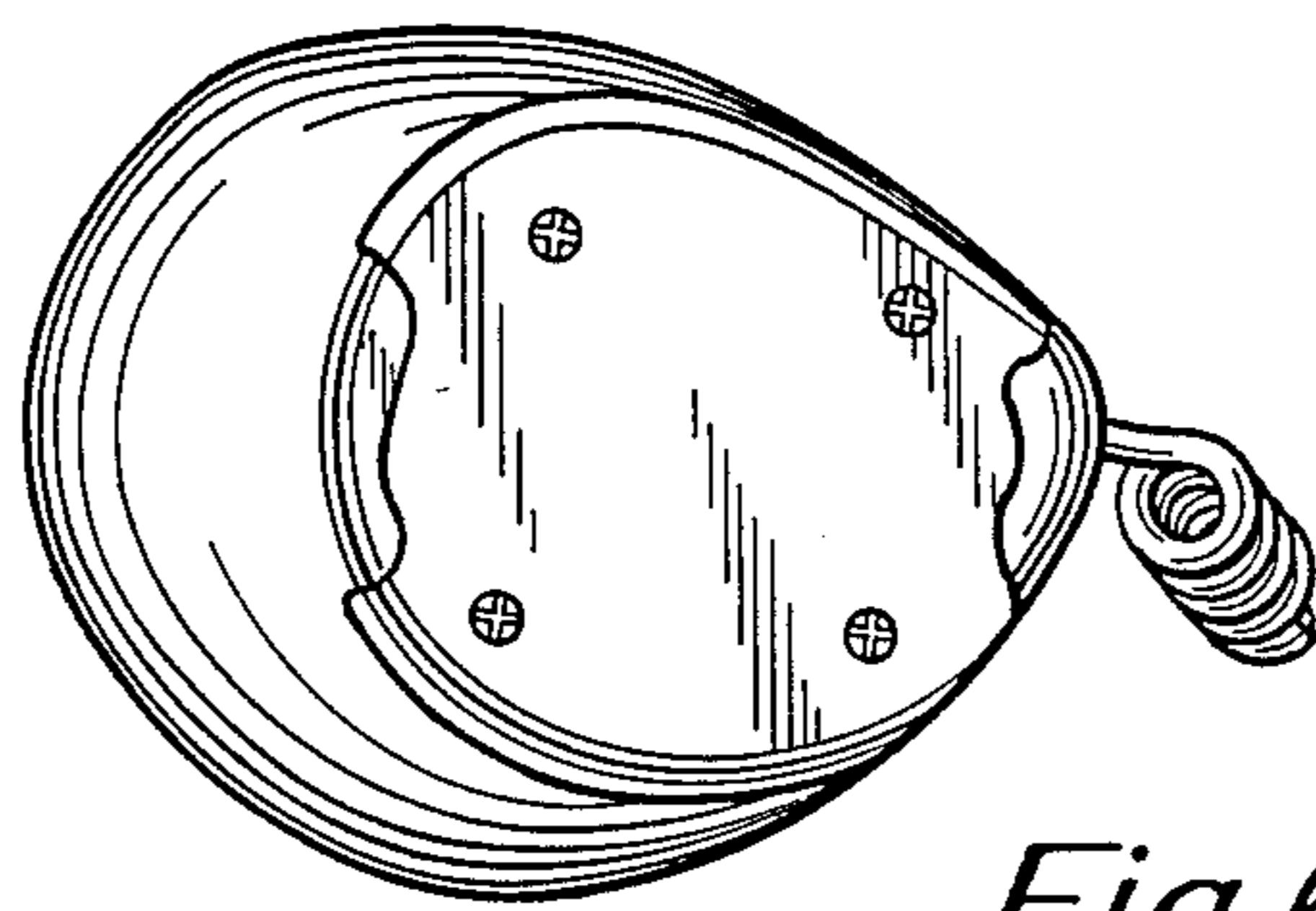
*Fig. 3*



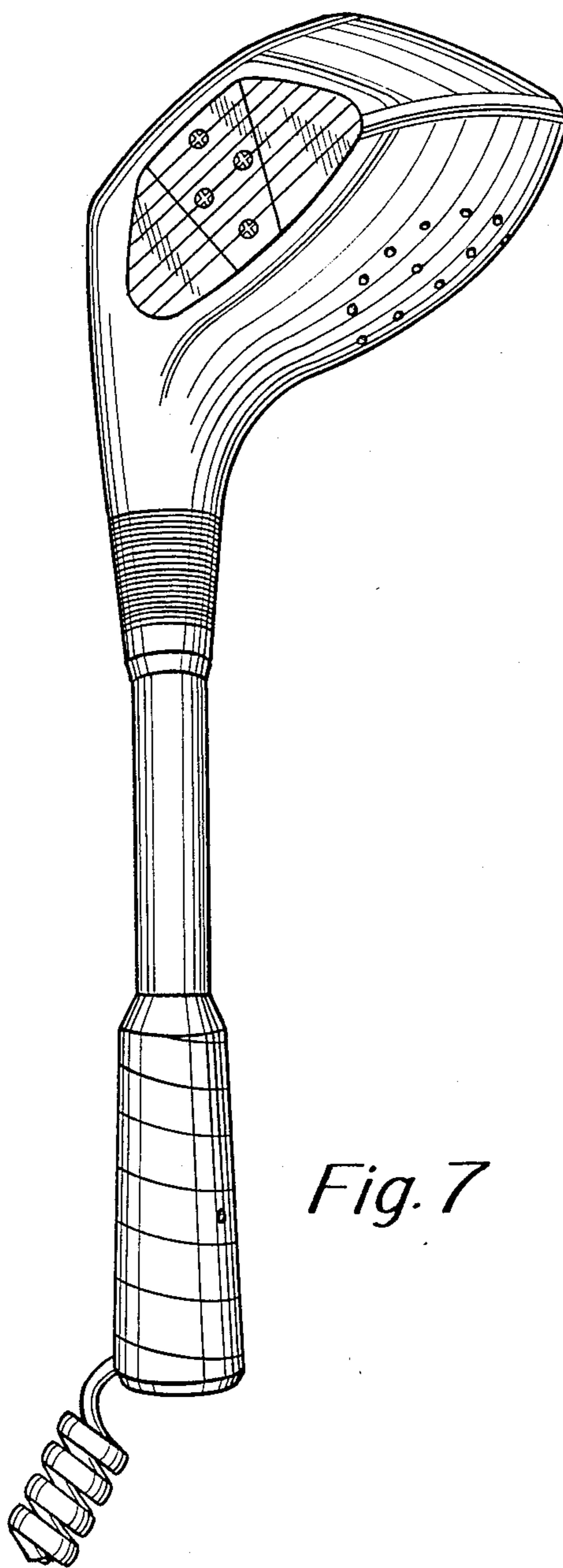
*Fig. 4*



*Fig. 5*



*Fig. 6*



*Fig. 7*