

[54] MONITOR FOR COMPUTER

[75] Inventor: Hyung S. Ji, Youngdeungpo, Rep. of Korea

[73] Assignee: Hyundai Electronics Industries Co., Ltd., Kyoungki, Rep. of Korea

[**] Term: 14 Years

[21] Appl. No.: 1,087

[22] Filed: Jan. 6, 1987

[30] Foreign Application Priority Data

Dec. 9, 1986 [KR] Rep. of Korea 86-17361

[52] U.S. Cl. D14/113

[58] Field of Search D14/100-117;
D18/1, 2, 5, 6, 7, 11, 12; 235/145 A, 145 R;
340/700, 706, 711, 712; 400/677, 682, 472, 489,
492, 496, 676; 364/130, 144, 143, 145, 146, 189,
200, 706, 707, 708, 709, 710; 358/249, 254;
341/22, 23; 200/5 A

[56] References Cited

U.S. PATENT DOCUMENTS

D. 259,343 5/1981 Chamberlain et al. D14/113
D. 284,967 8/1986 Wiseman D14/113
D. 294,944 3/1988 Chu D14/113

Primary Examiner—Susan J. Lucas
Assistant Examiner—Freda S. Nunn
Attorney, Agent, or Firm—Abelman Frayne Rezac & Schwab

[57] CLAIM

The ornamental design for a monitor for computer, as shown and described.

DESCRIPTION

FIG. 1 is a top, right, front perspective view of a monitor for computer showing my new design;
FIG. 2 is a top plan view thereof;
FIG. 3 is a front elevational view thereof;
FIG. 4 is a bottom plan view thereof;
FIG. 5 is a rear elevational view thereof;
FIG. 6 is a left side elevational view thereof;
FIG. 7 is a right side elevational view thereof.

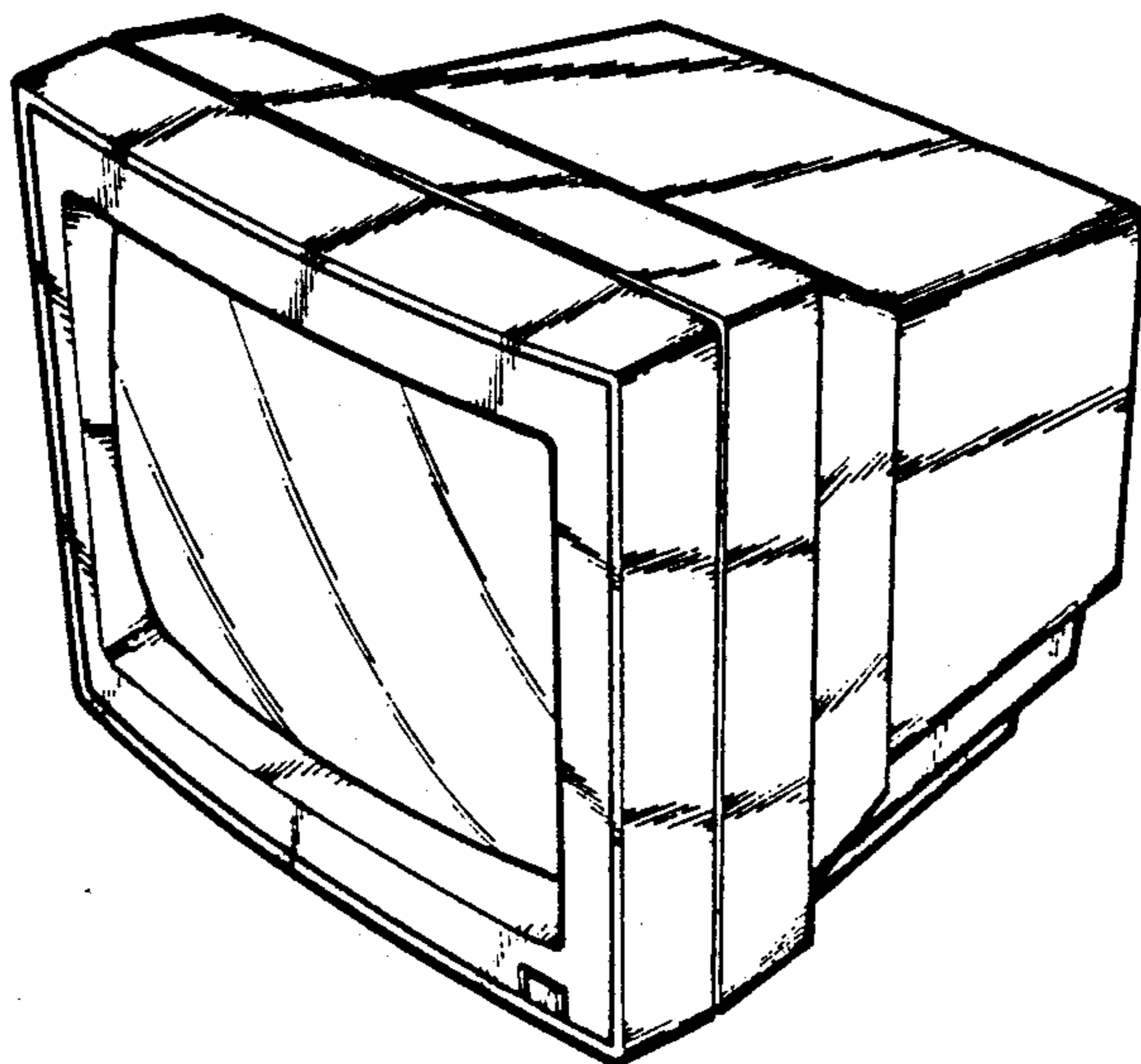


FIG. 1

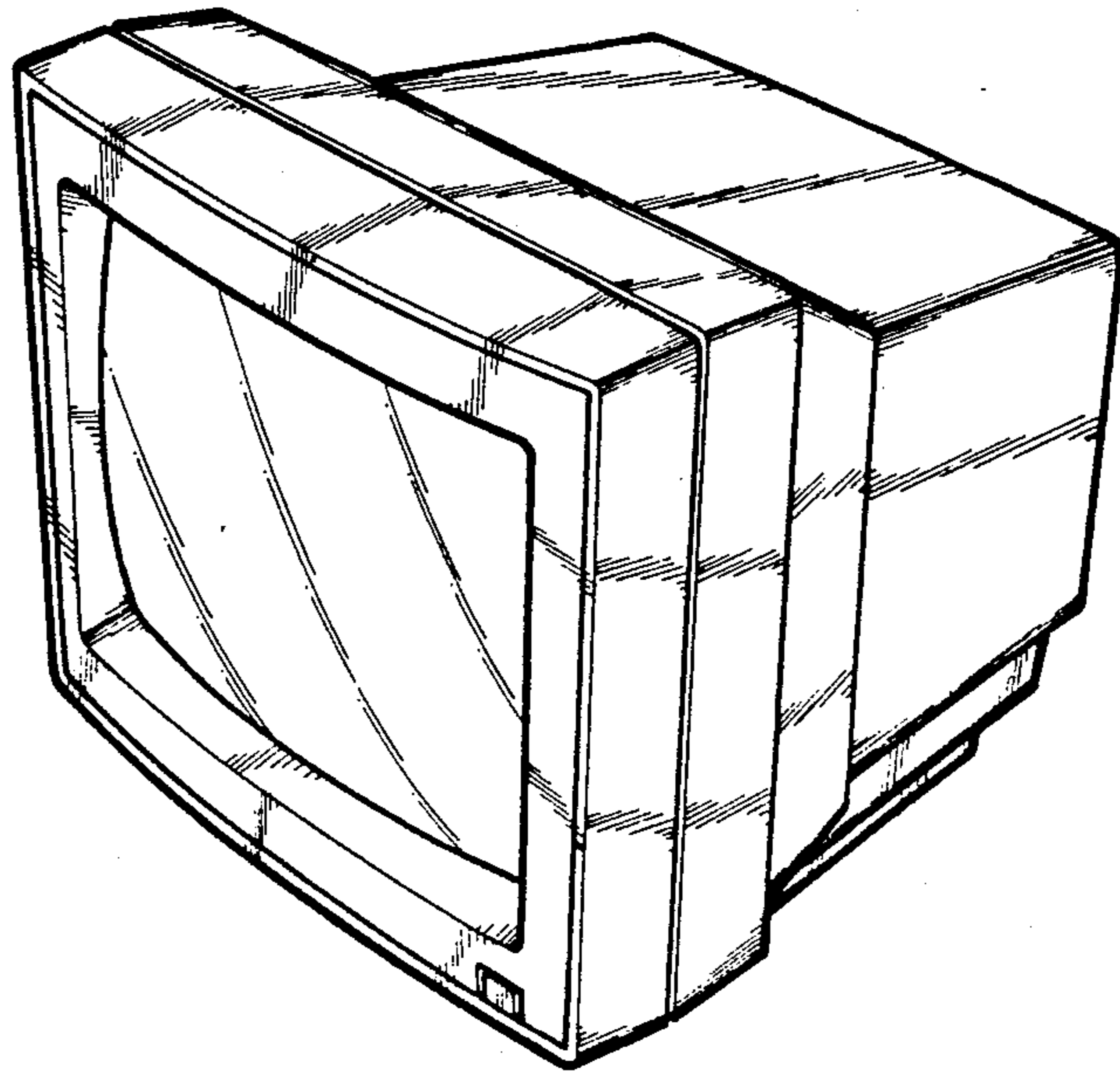


FIG. 2

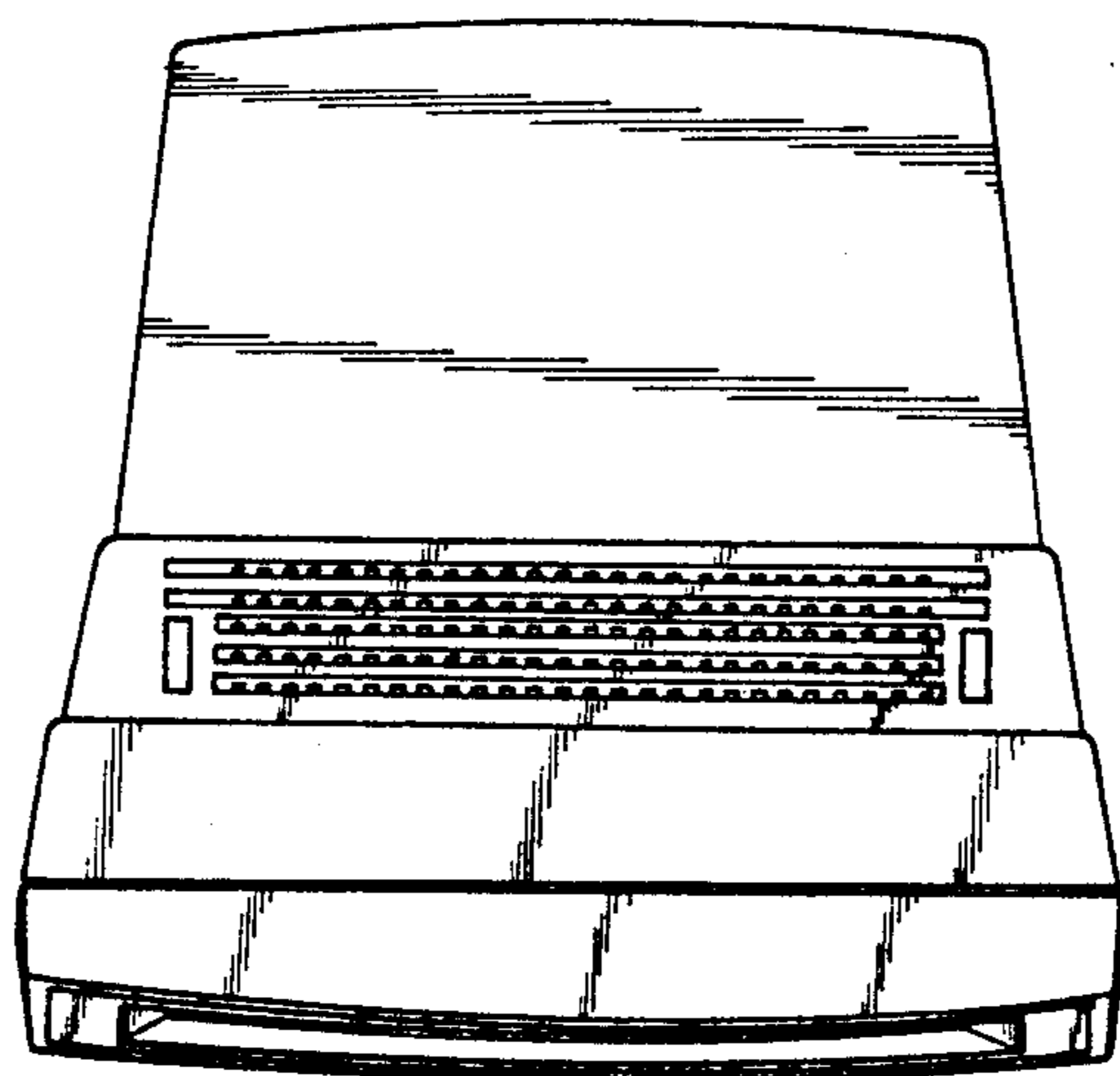


FIG. 3

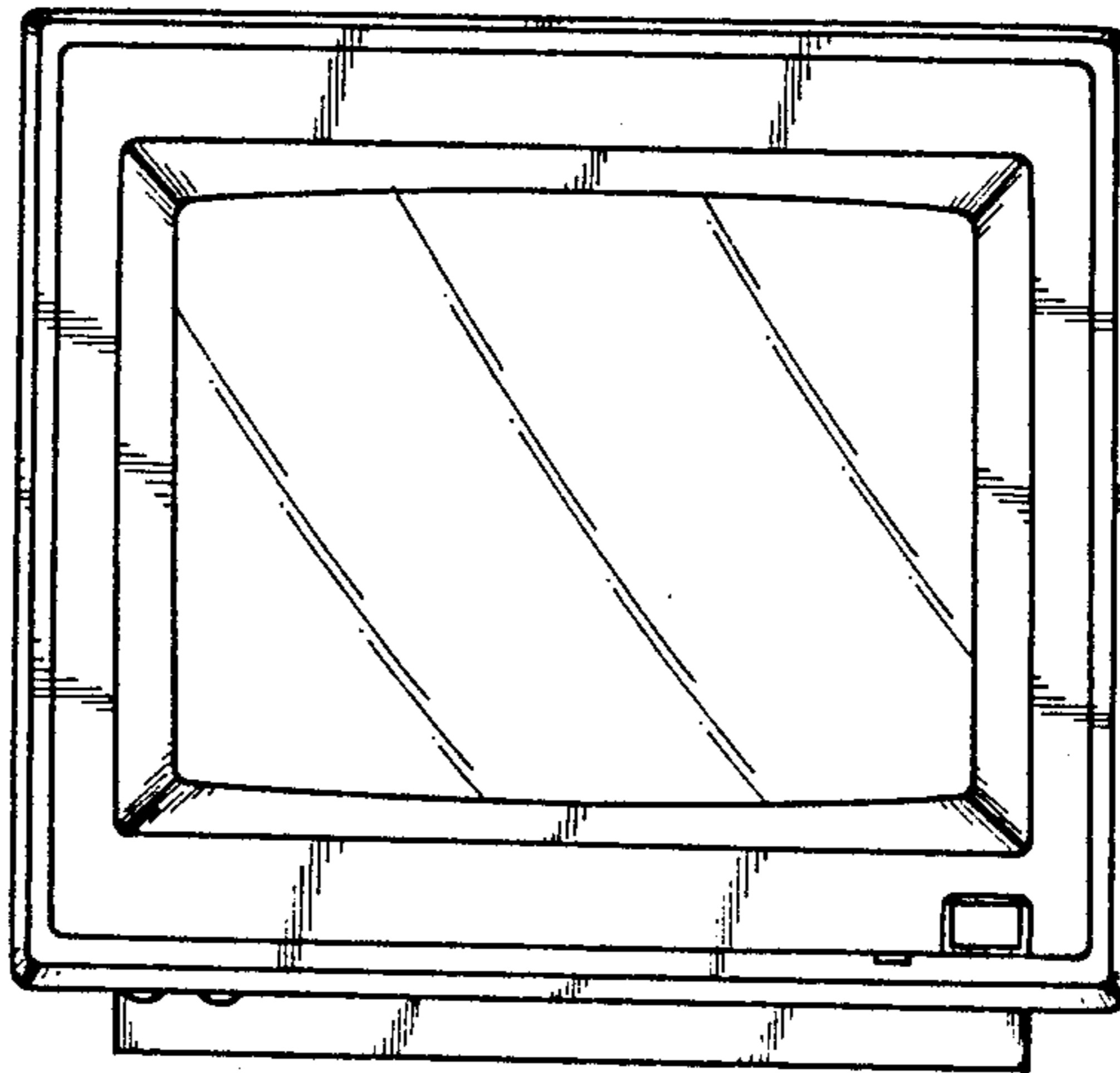


FIG. 4

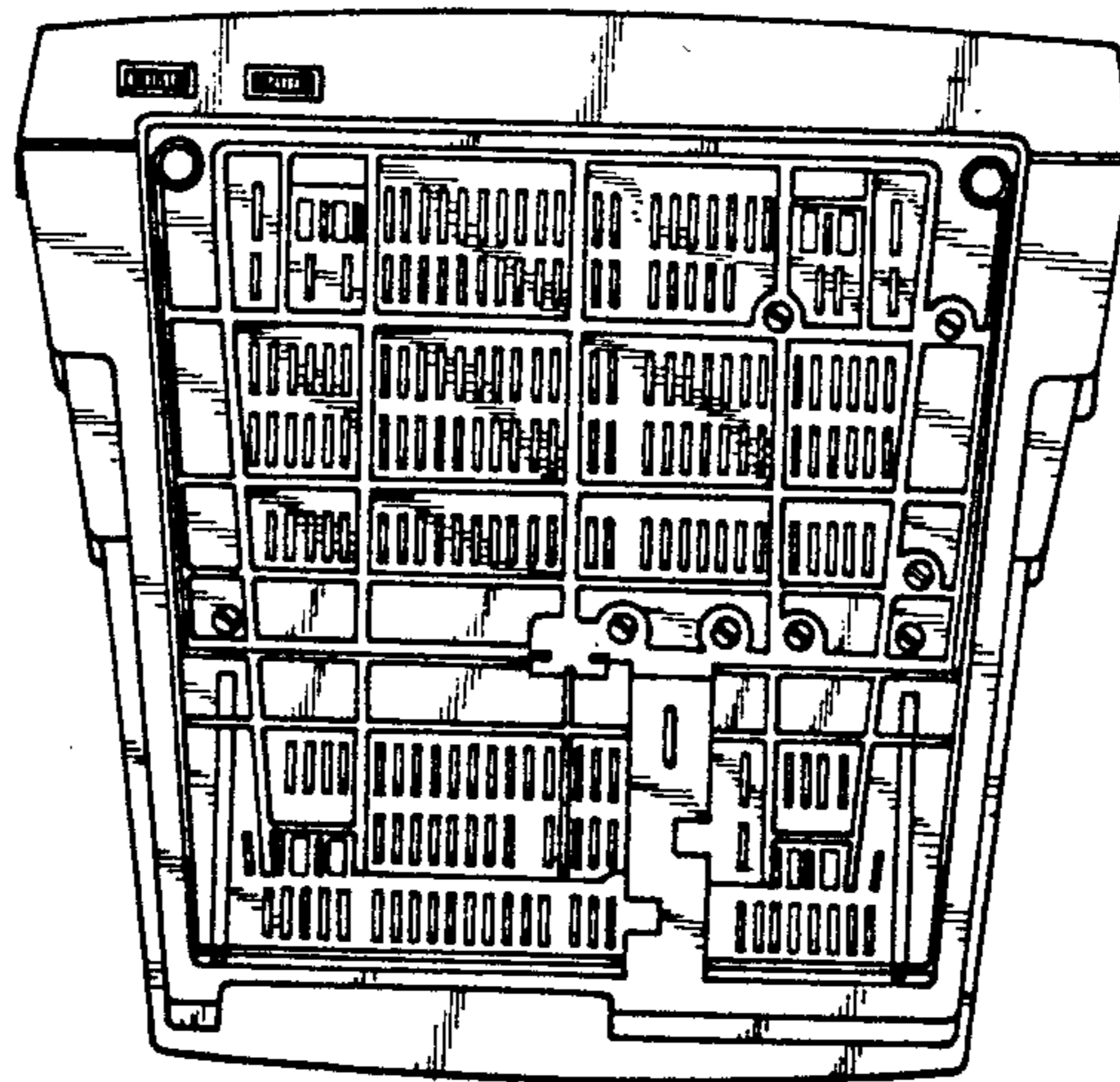


FIG. 5

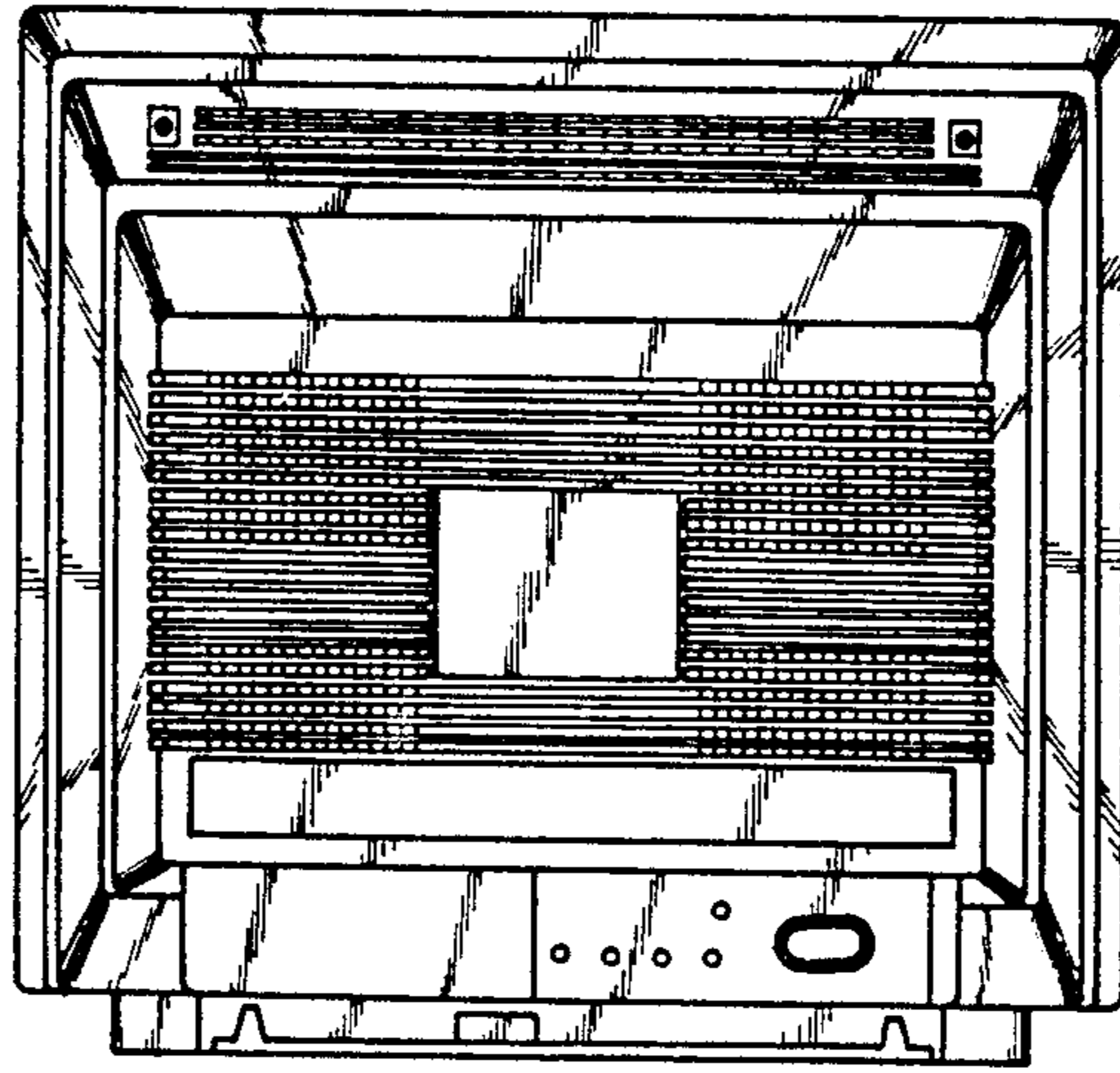


FIG. 6

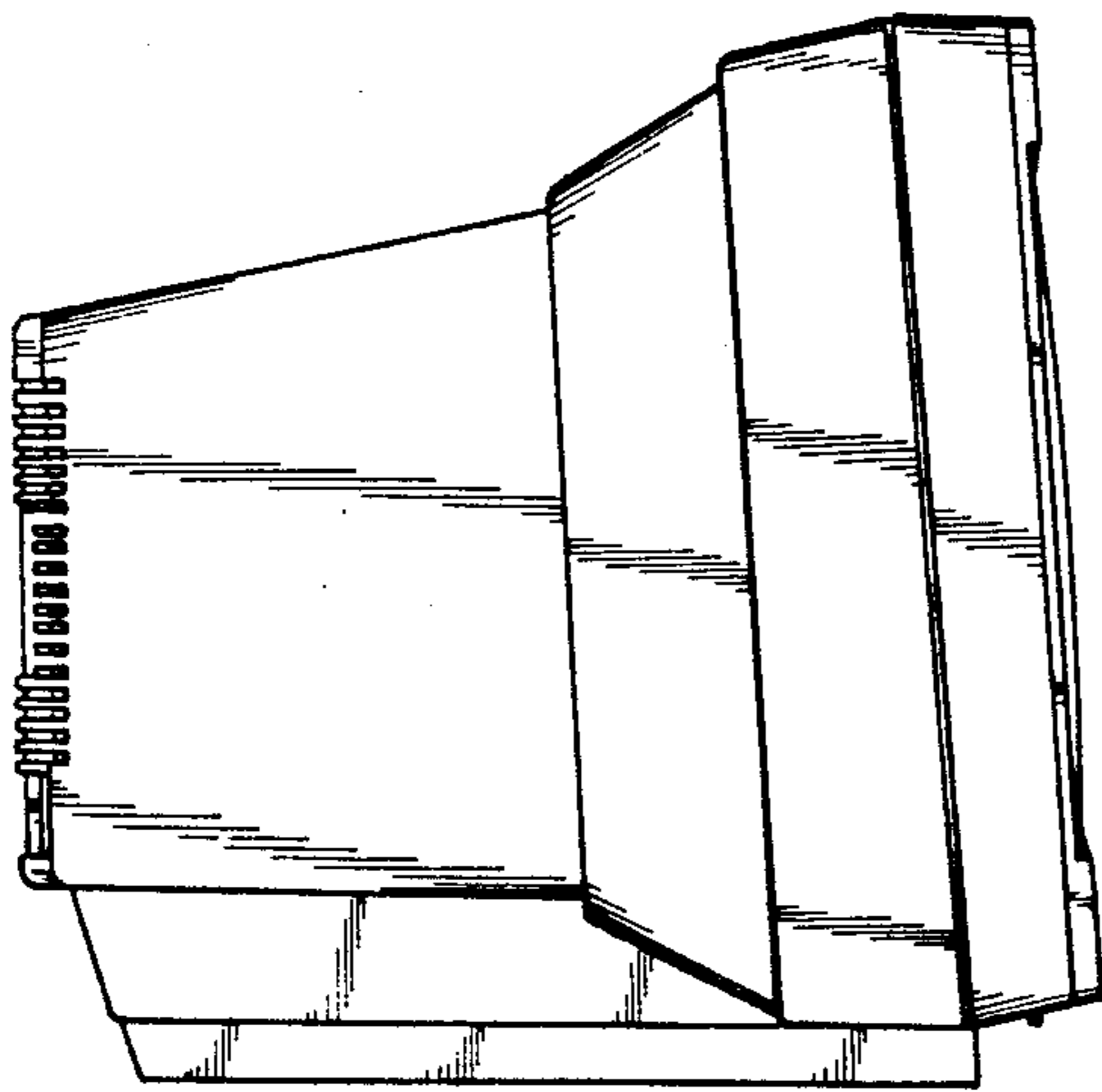


FIG. 7

