

[54] **VEHICLE WHEEL CENTER**

[75] **Inventor: Joseph K. Black, Downey, Calif.**

[73] **Assignee: Kelsey-Hayes Company, Romulus, Mich.**

[**] **Term: 14 Years**

[21] **Appl. No.: 886,599**

[22] **Filed: Jul. 17, 1986**

[52] **U.S. Cl. D12/211**

[58] **Field of Search D12/206, 209, 211;
301/32 R, 37 P, 63 PW, 64 R, 64 SD, 65**

[56] **References Cited**

U.S. PATENT DOCUMENTS

D. 252,566 8/1979 Blanchard D12/211

OTHER PUBLICATIONS

Road & Track, 9/85, p. 152, Kiwi Jet Wheel, lower center of page.

Road & Track, 12/85, p. 36, Volvo Wheel.

1984 Mercury Lynx catalog, p. 3, Wheel, bottom of page.

Primary Examiner—James M. Gandy
Attorney, Agent, or Firm—Ralph J. Skinkiss

[57] **CLAIM**

The ornamental design for a vehicle wheel center, as shown and described.

DESCRIPTION

FIG. 1 is a right front perspective view of my vehicle wheel center.

FIG. 2 is a front elevational view of a vehicle wheel showing my new design.

FIG. 3 is an enlarged sectional view taken along line 3—3 in FIG. 2.

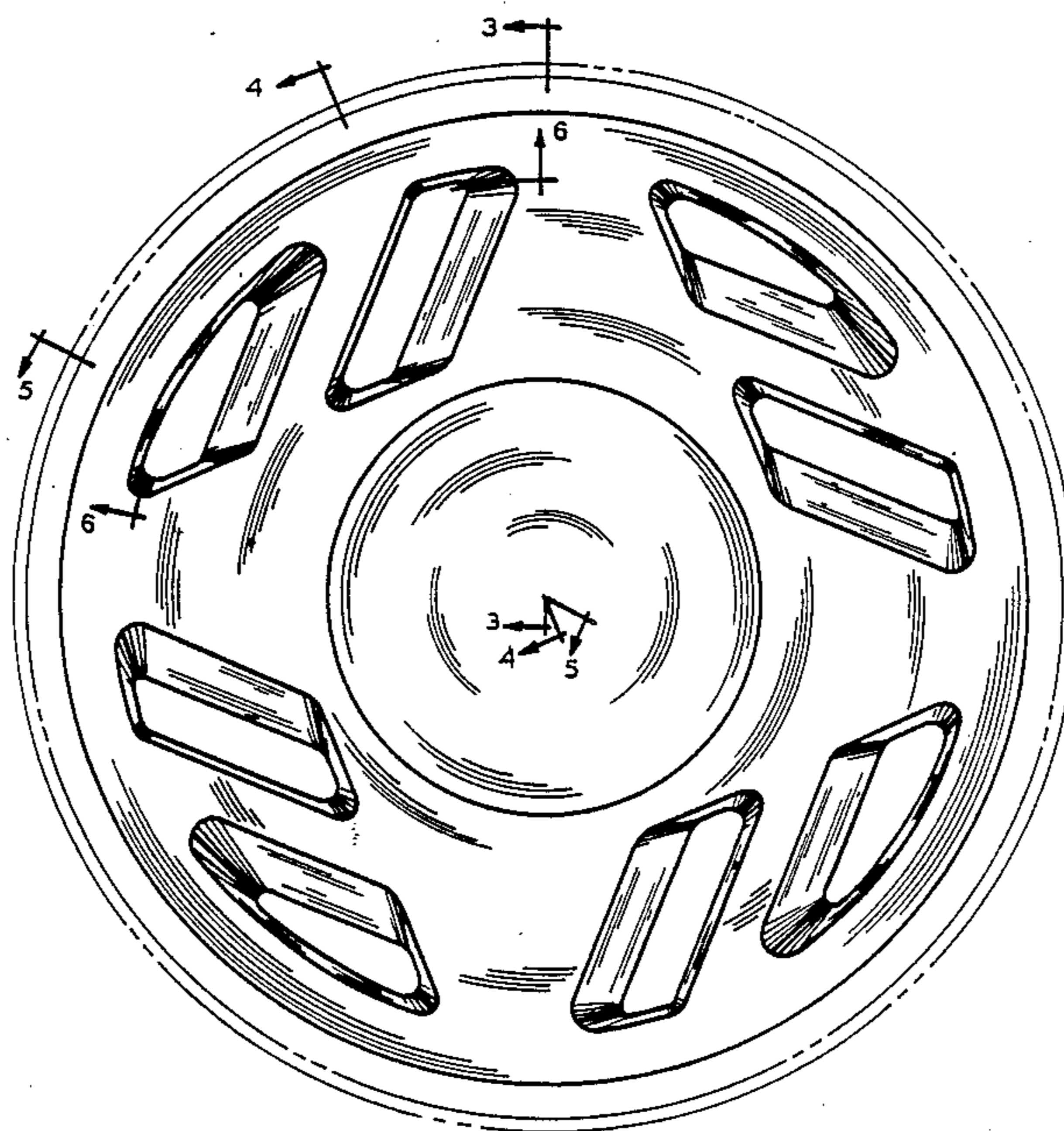
FIG. 4 is an enlarged sectional view taken along line 4—4 in FIG. 2.

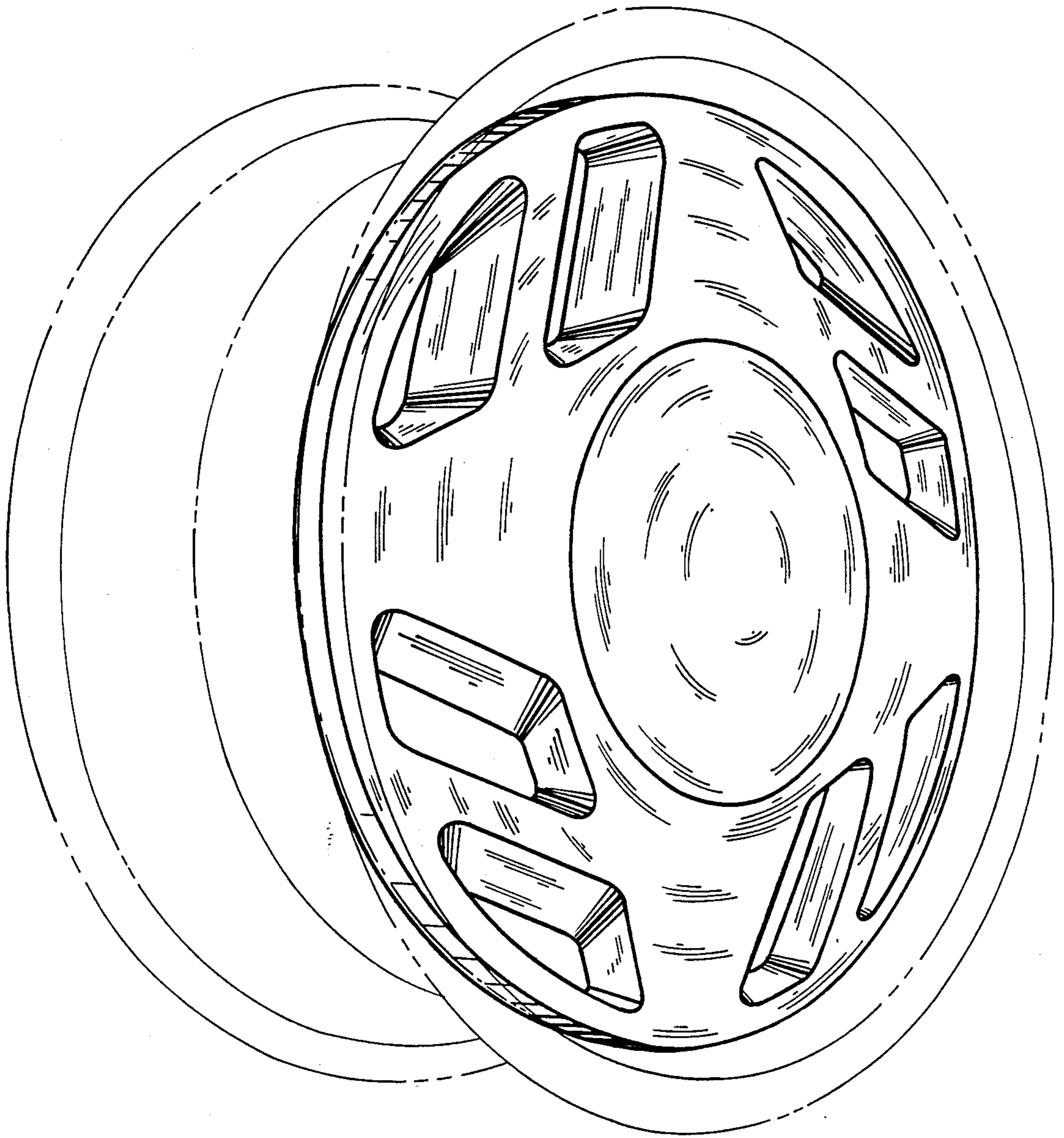
FIG. 5 is an enlarged sectional view taken along line 5—5 in FIG. 2.

FIG. 6 is an enlarged sectional view taken along line 6—6 in FIG. 2.

FIG. 7 is a front elevational view of a vehicle wheel center showing a second embodiment of my new design wherein the sole difference resides in the shape and orientation of the apertures being reversed.

The broken lines in the drawing are for illustrative purposes only and form no part of the claimed design.





—FIG. 1

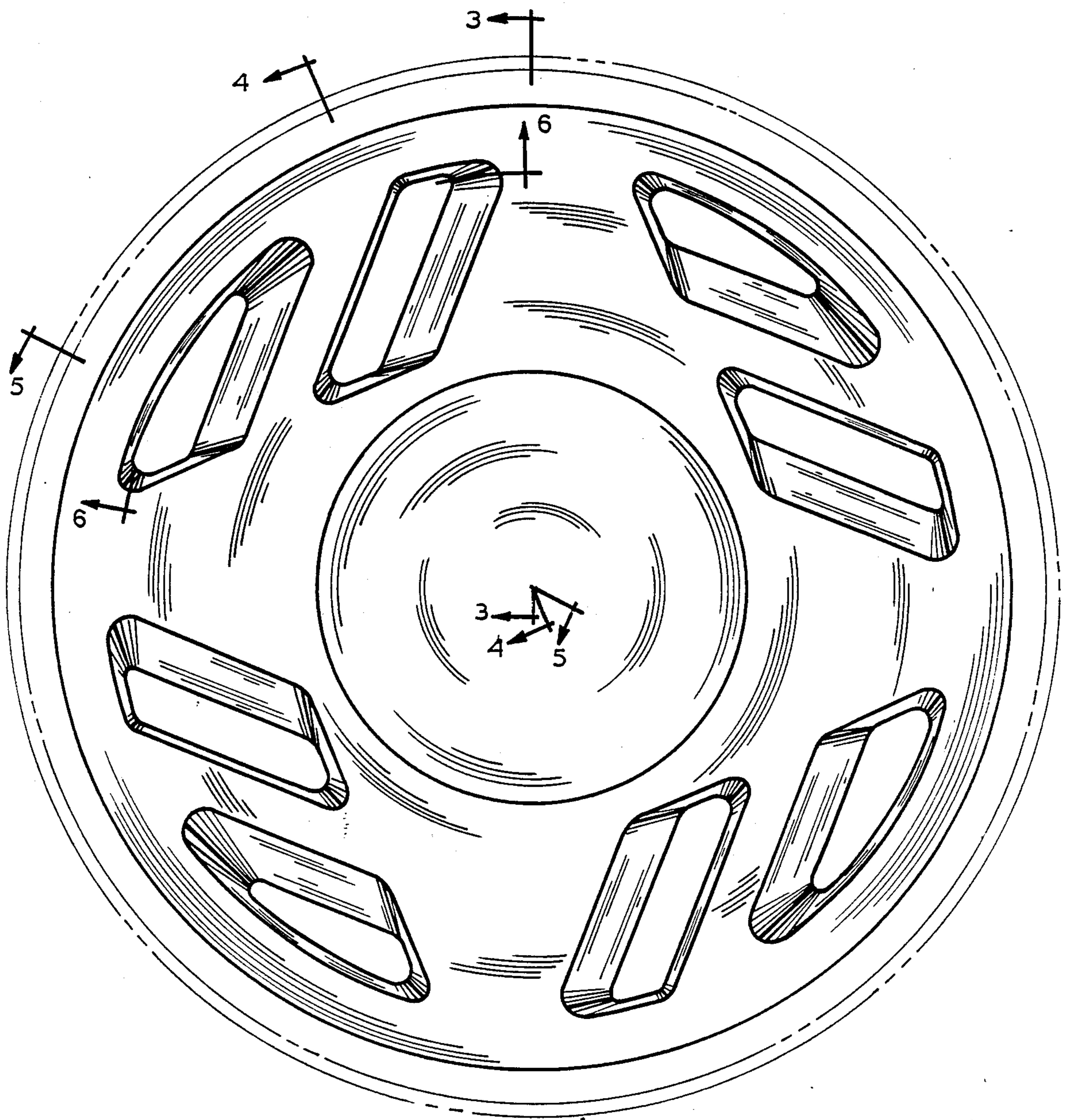


FIG. 2

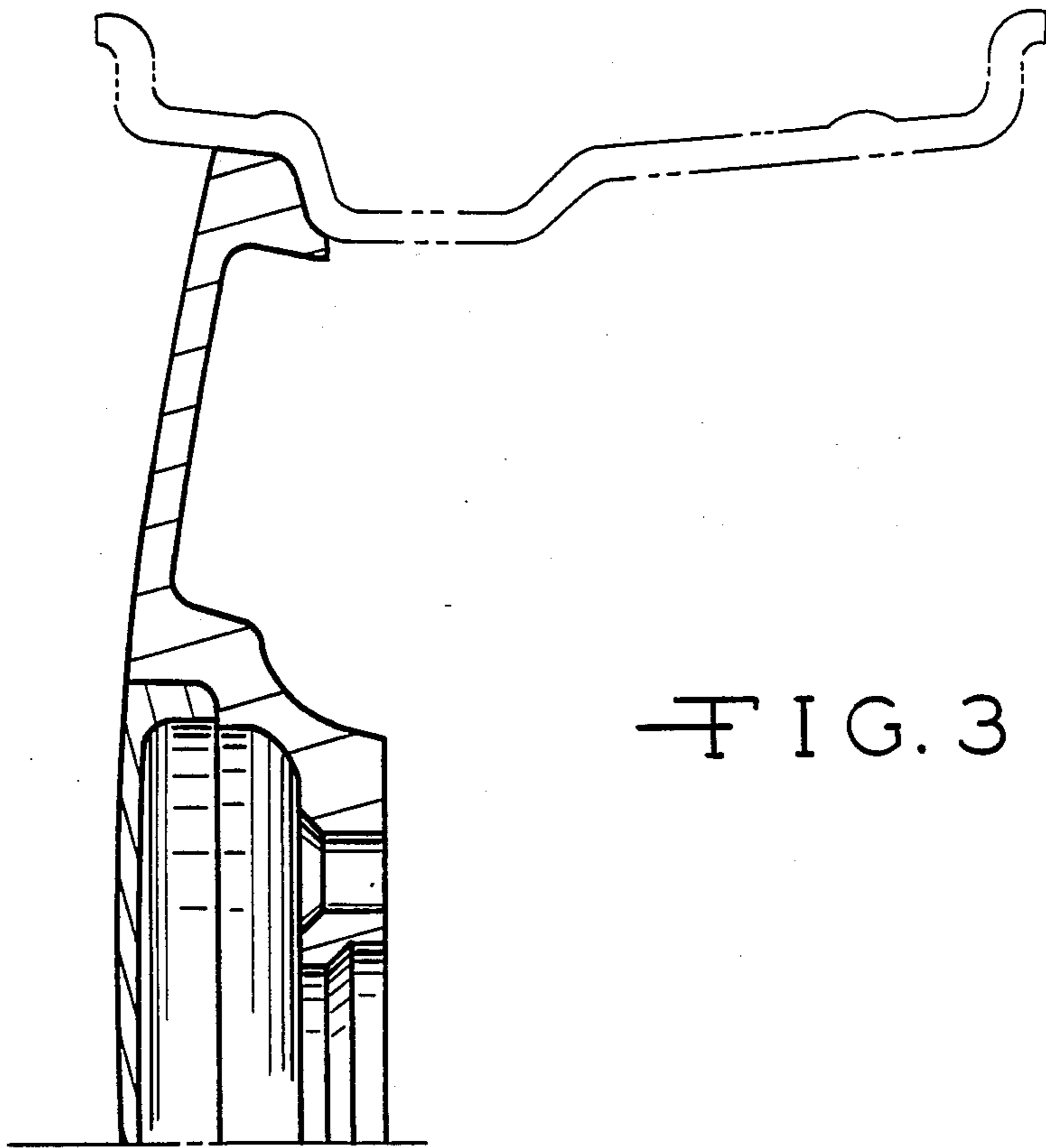


FIG. 3

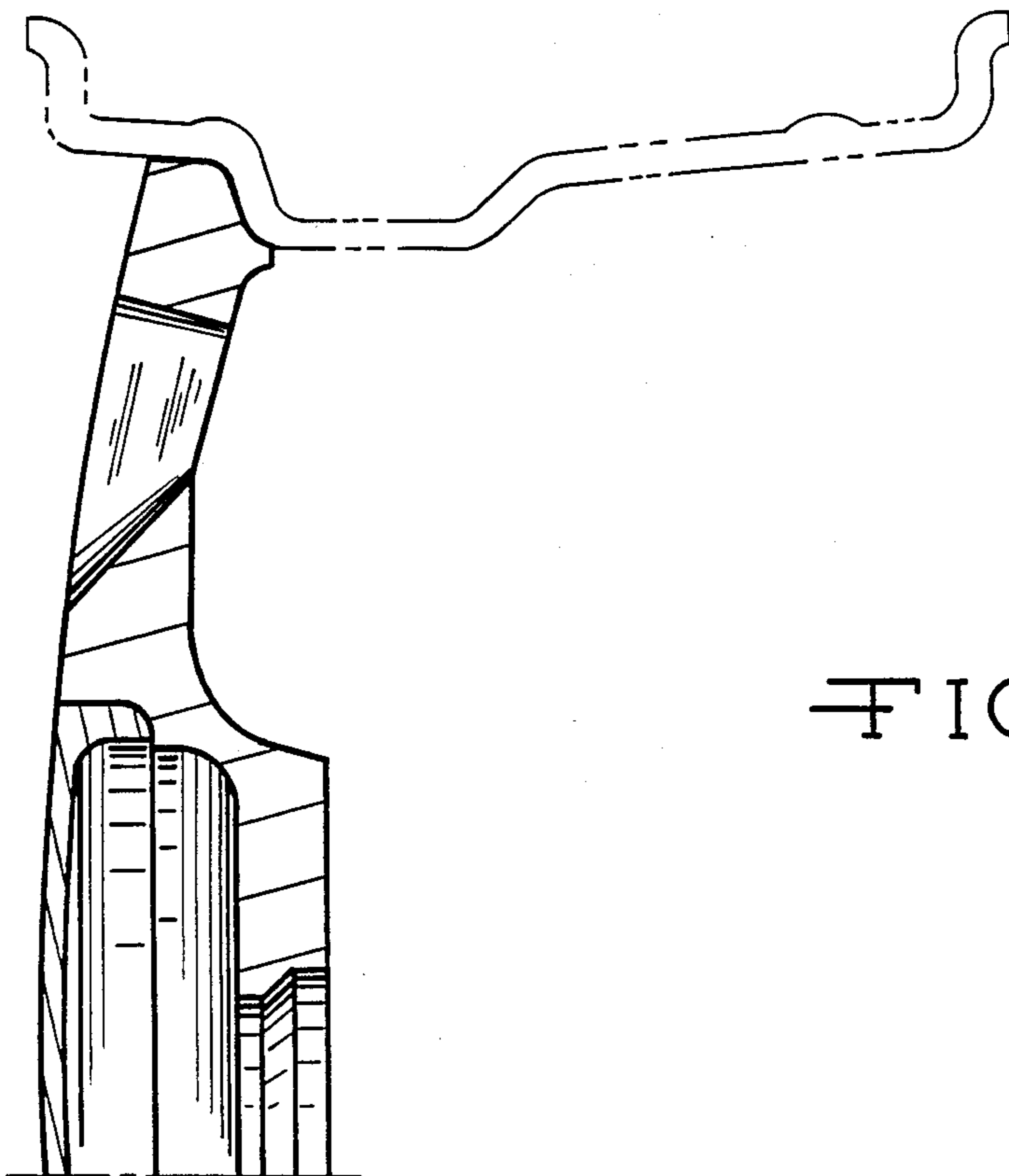


FIG. 4

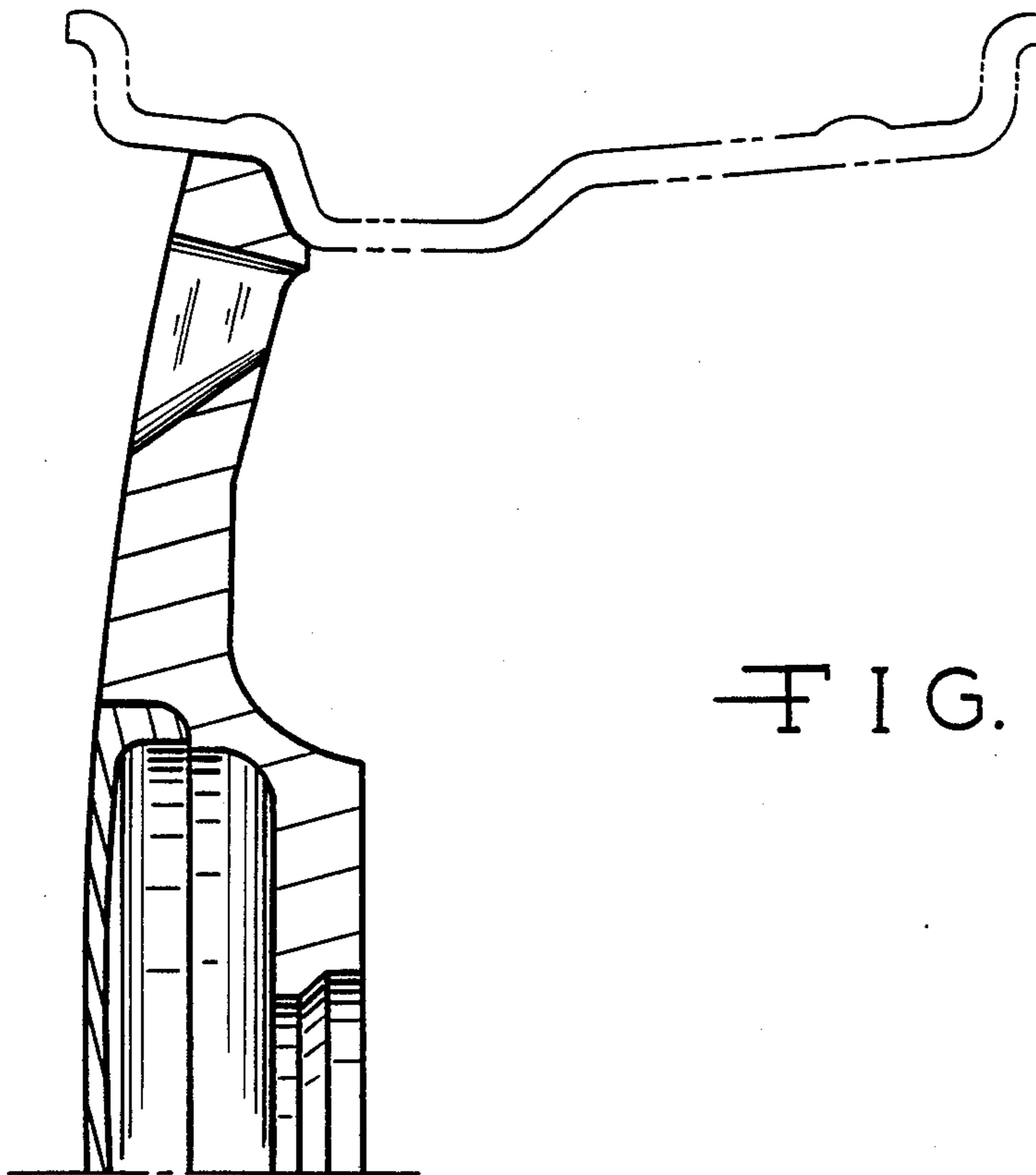


FIG. 5



FIG. 6



FIG. 7