

[54] COMBINED HUB CAP AND TIRE CONNECTING AIR HOSES FOR DUAL WHEELS

3,367,722 2/1968 Miyanaga 152/415

[75] Inventor: Anthony J. Patti, Hayward, Calif.

[73] Assignee: Wheel Masters Inc., San Leandro, Calif.

[**] Term: 14 Years

[21] Appl. No.: 896,739

[22] Filed: Aug. 15, 1986

[52] U.S. Cl. D12/207

[58] Field of Search D12/207; 301/105 R, 301/108 R, 108 SC, 37 R; 152/415, 418, 427

[56] References Cited

U.S. PATENT DOCUMENTS

1,576,555	3/1926	Southmayd	152/415
2,619,389	11/1952	James	301/105 R
2,633,148	3/1953	Kelly	152/415
2,789,617	4/1957	Cardi	152/415

OTHER PUBLICATIONS

Cal Chrome 175 Catalog, Duplex Derby Wheel Accessory, top right side of page.

Primary Examiner—James M. Gandy
Attorney, Agent, or Firm—Linval B. Castle

[57] CLAIM

The ornamental design for a combined hub cap and tire connecting air hoses for dual wheels, as shown and described.

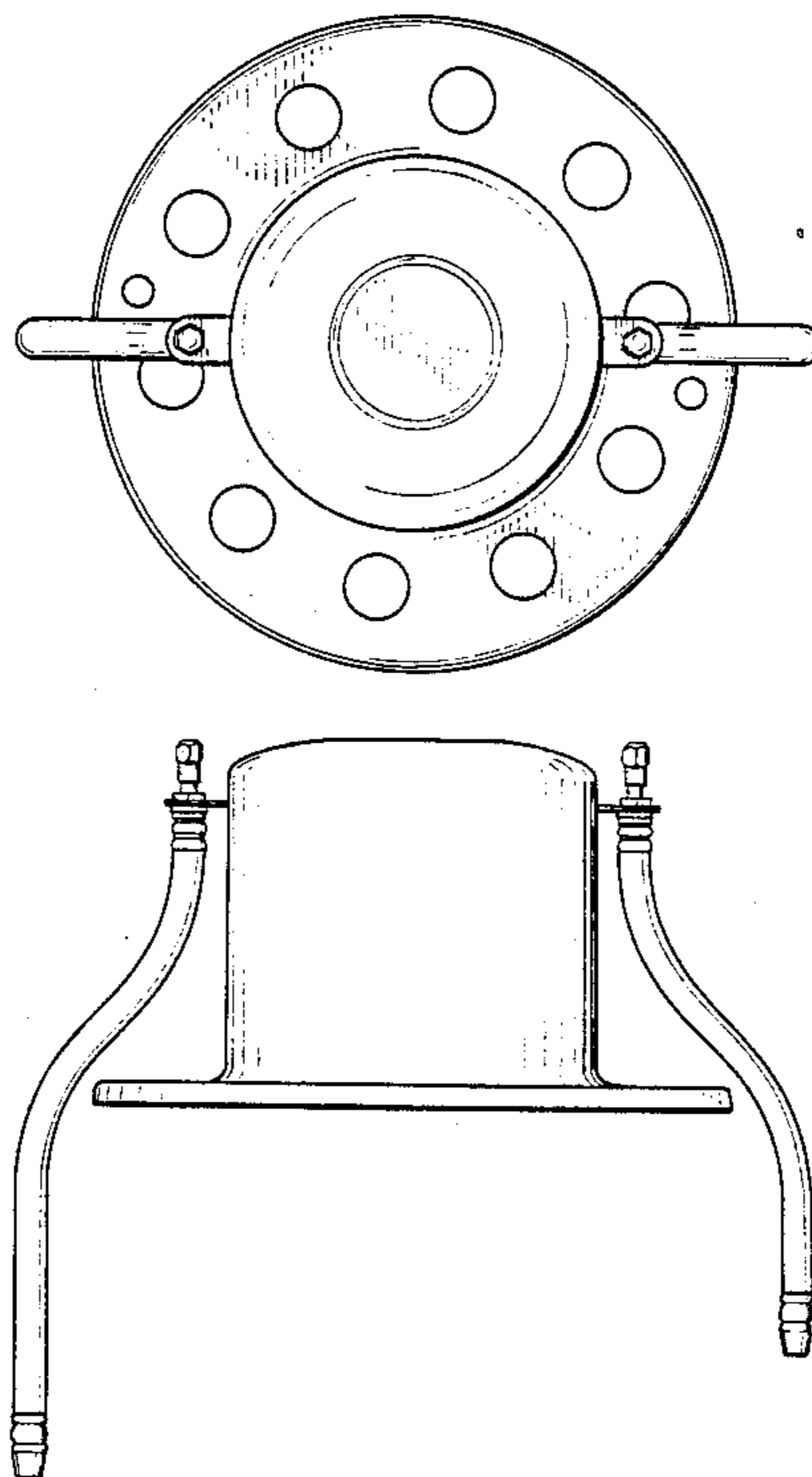
DESCRIPTION

FIG. 1 is a front elevation view of a combined hub cap and tire connecting air hoses for dual wheels showing my new design;

FIG. 2 is a bottom plan view, it being understood that the top is a mirror image thereof;

FIG. 3 is a side elevation view, the opposite side being a mirror image thereof; and

FIG. 4 is a rear elevation view thereof.



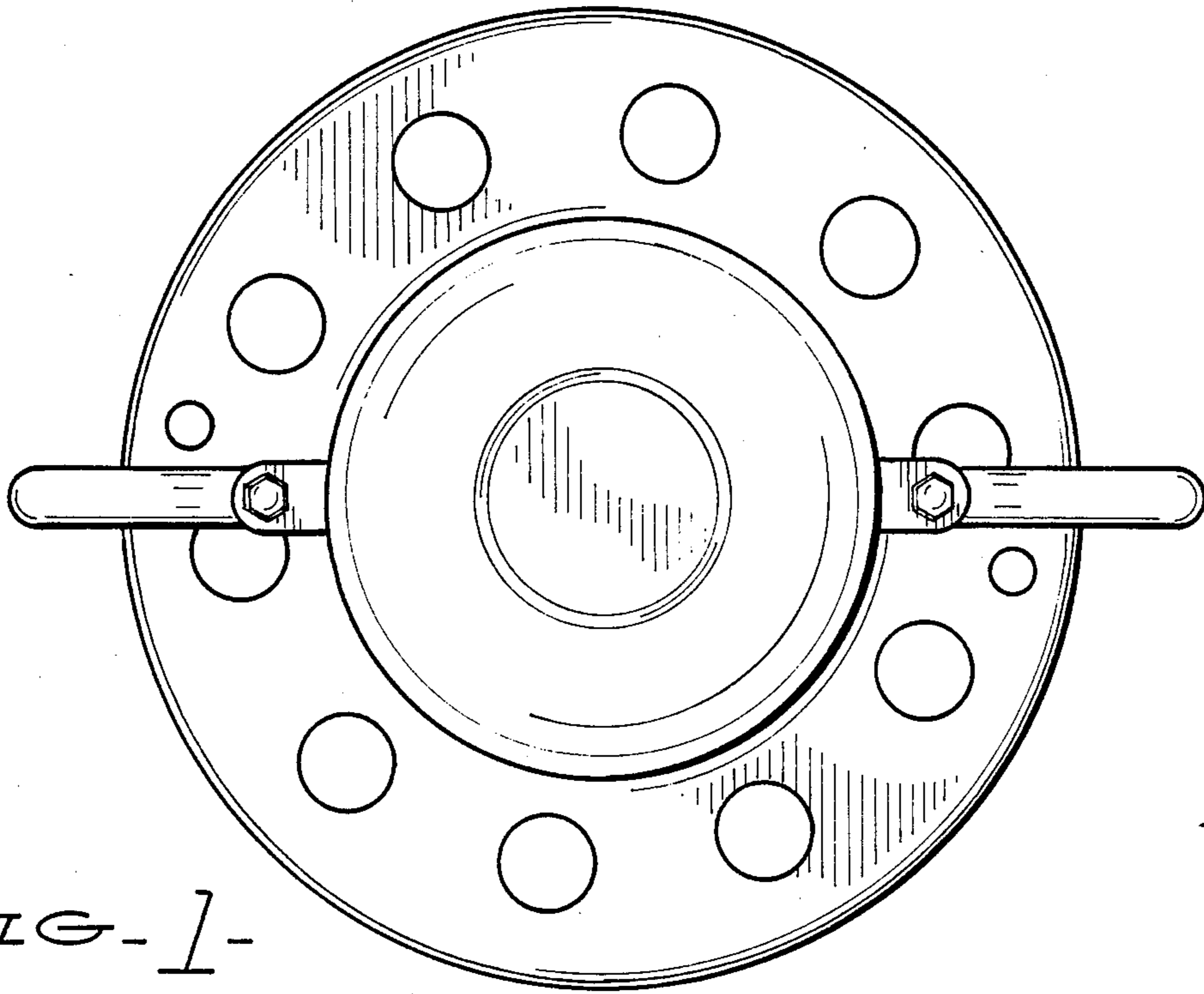


FIG-1-

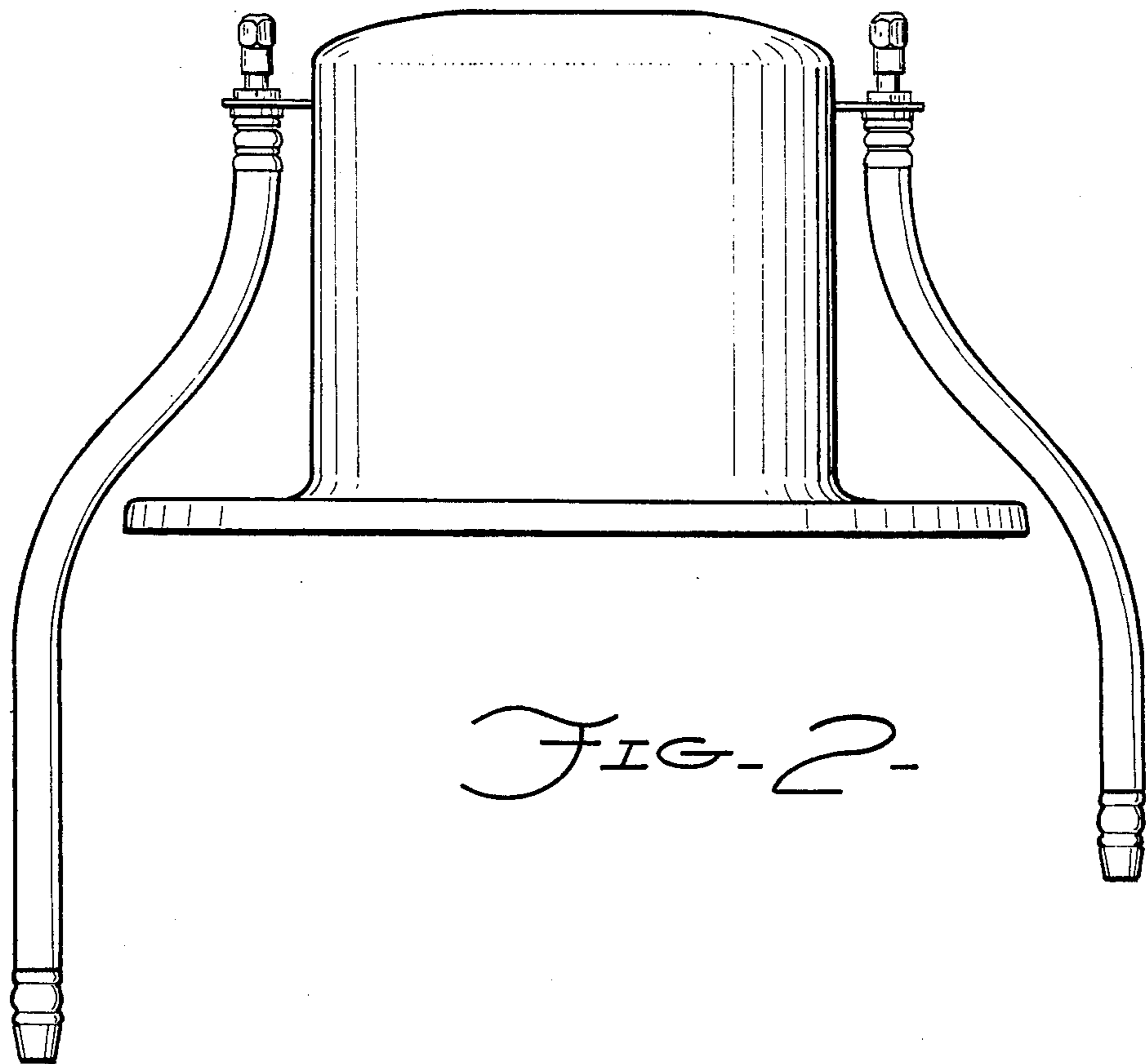


FIG-2-

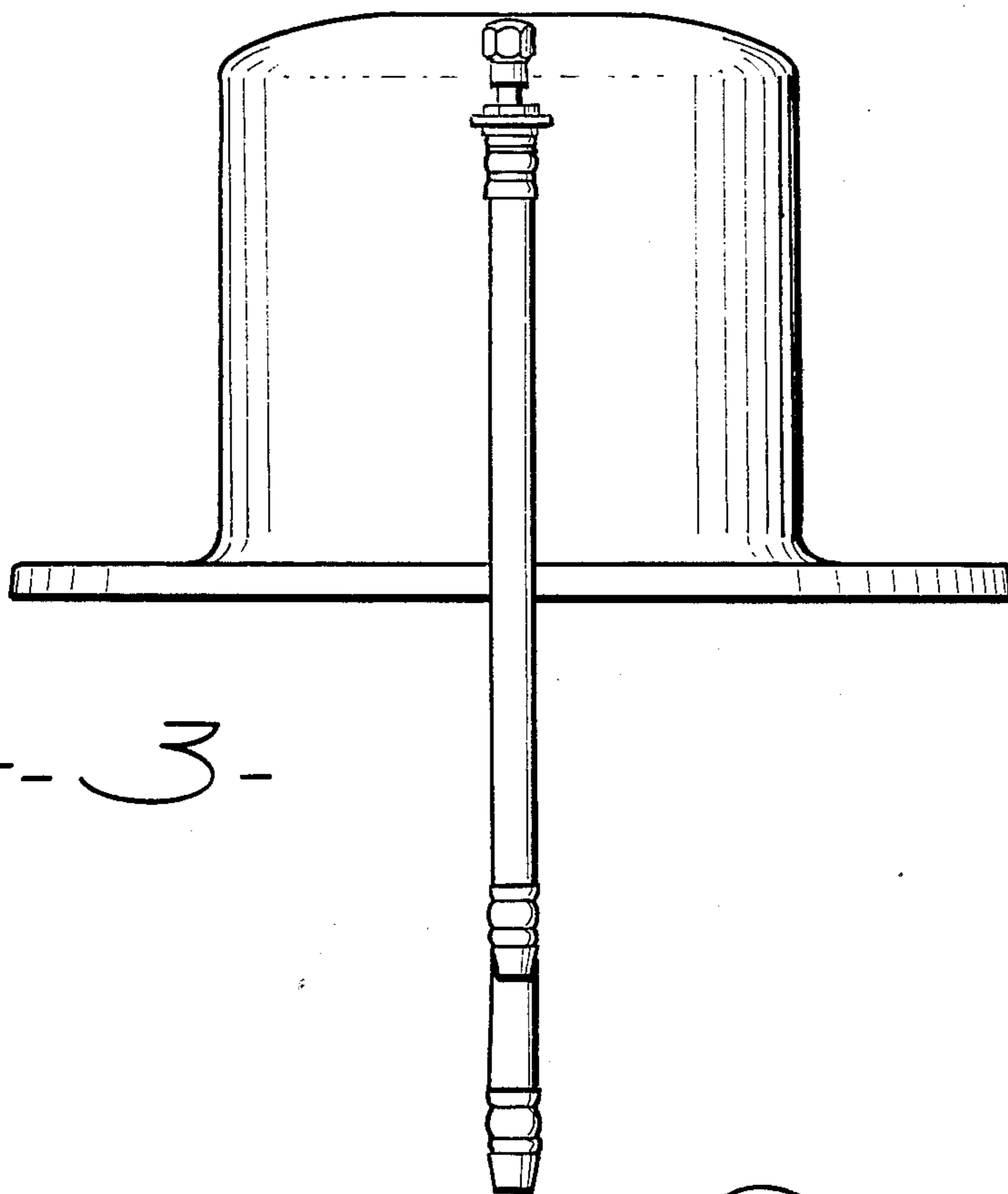


FIG-3-

FIG-4-

