

United States Patent [19]

Brown, Jr.

[11] Patent Number: Des. 302,142

[45] Date of Patent: ** Jul. 11, 1989

[54] ACCESSORY CONSOLE FOR BICYCLES

[76] Inventor: Wallace Brown, Jr., 7701 W.
Hampton St., Milwaukee, Wis. 53218

[**] Term: 14 Years

[21] Appl. No.: 862,440

[22] Filed: May 8, 1986

[52] U.S. Cl. D12/114

[58] Field of Search D12/114; 296/78.1;
280/289 A, 289 R; 224/30 A, 35

[56] References Cited

U.S. PATENT DOCUMENTS

D. 213,082	12/1968	Walker	D12/114 X
D. 239,868	5/1976	Pinsler et al.	D12/114 X
D. 240,295	6/1976	Dixson	D12/114
D. 242,339	11/1978	Vetter .	
D. 273,779	5/1984	Anderson .	
1,222,458	4/1917	Peterson	224/30 A
2,588,671	3/1952	Tringali	280/289 X

3,944,924	3/1976	Miyachi .	
3,947,954	4/1976	Weiler .	
4,278,285	7/1981	Cummings .	
4,440,332	4/1984	Kullen	224/30 A X
4,473,251	9/1984	Murayama .	
4,515,405	5/1985	Ogishima .	

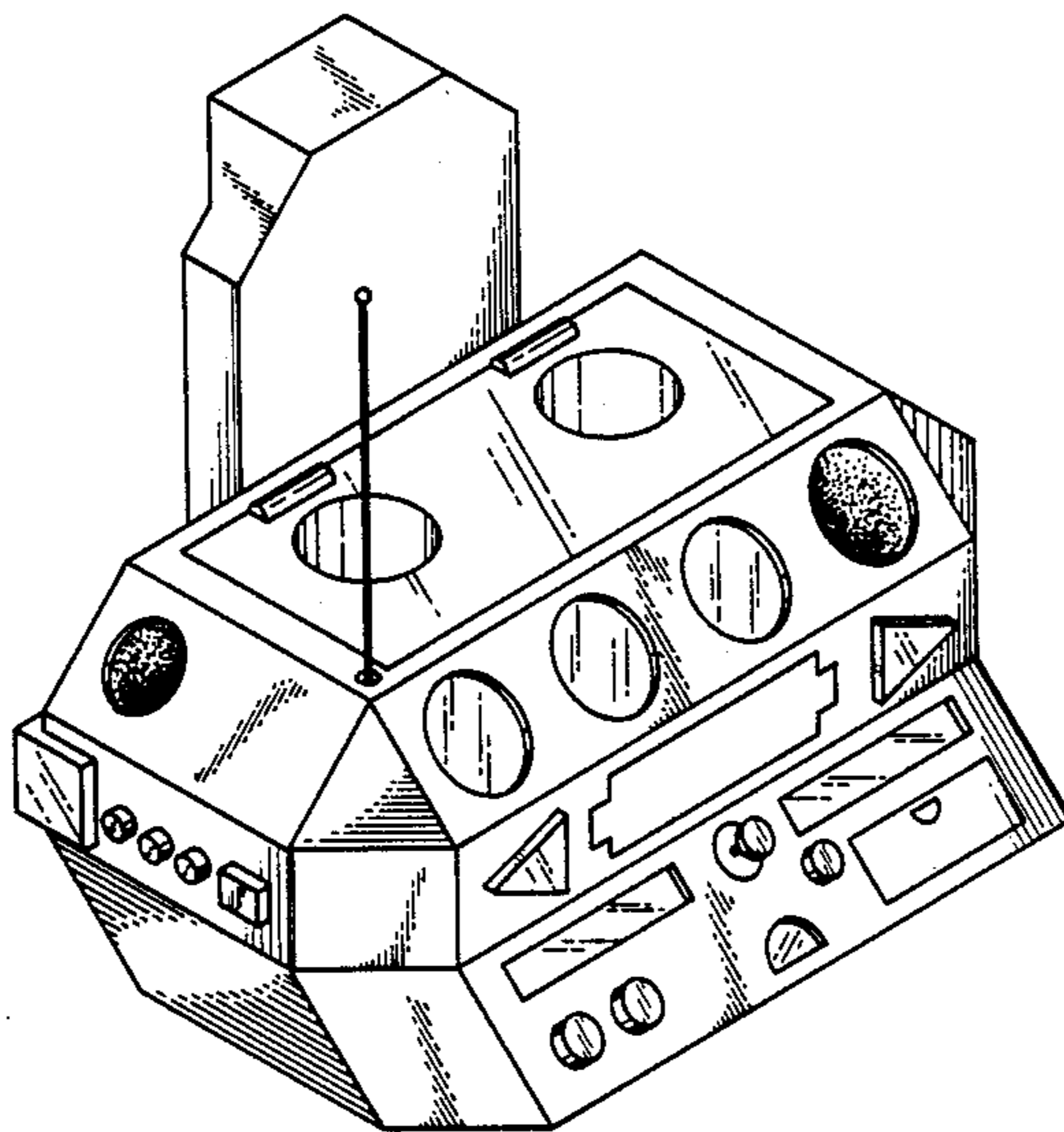
Primary Examiner—Bernard Ansher
Assistant Examiner—Theodore M. Shooman
Attorney, Agent, or Firm—Terry M. Gernstein

[57] CLAIM

The ornamental design for a accessory console for bicycles, as shown and described.

DESCRIPTION

FIG. 1 is a top, front and left side isometric view of an accessory console for bicycles showing my new design; FIG. 2 is a top, rear and right side isometric view thereof; FIG. 3 is a front elevational view thereof; FIG. 4 is a right side elevational view thereof; and, FIG. 5 is a bottom plan view thereof.



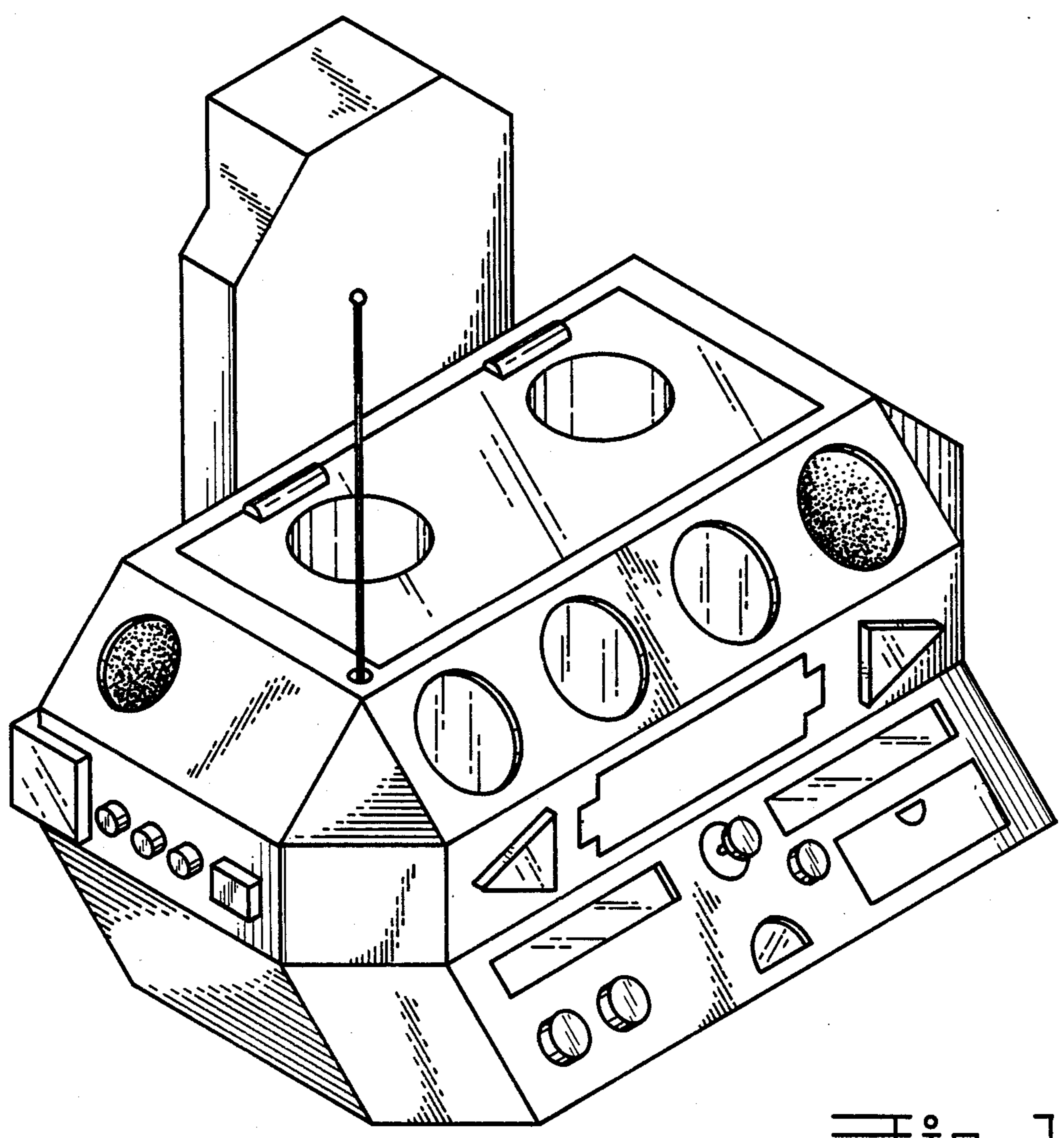


Fig. 1

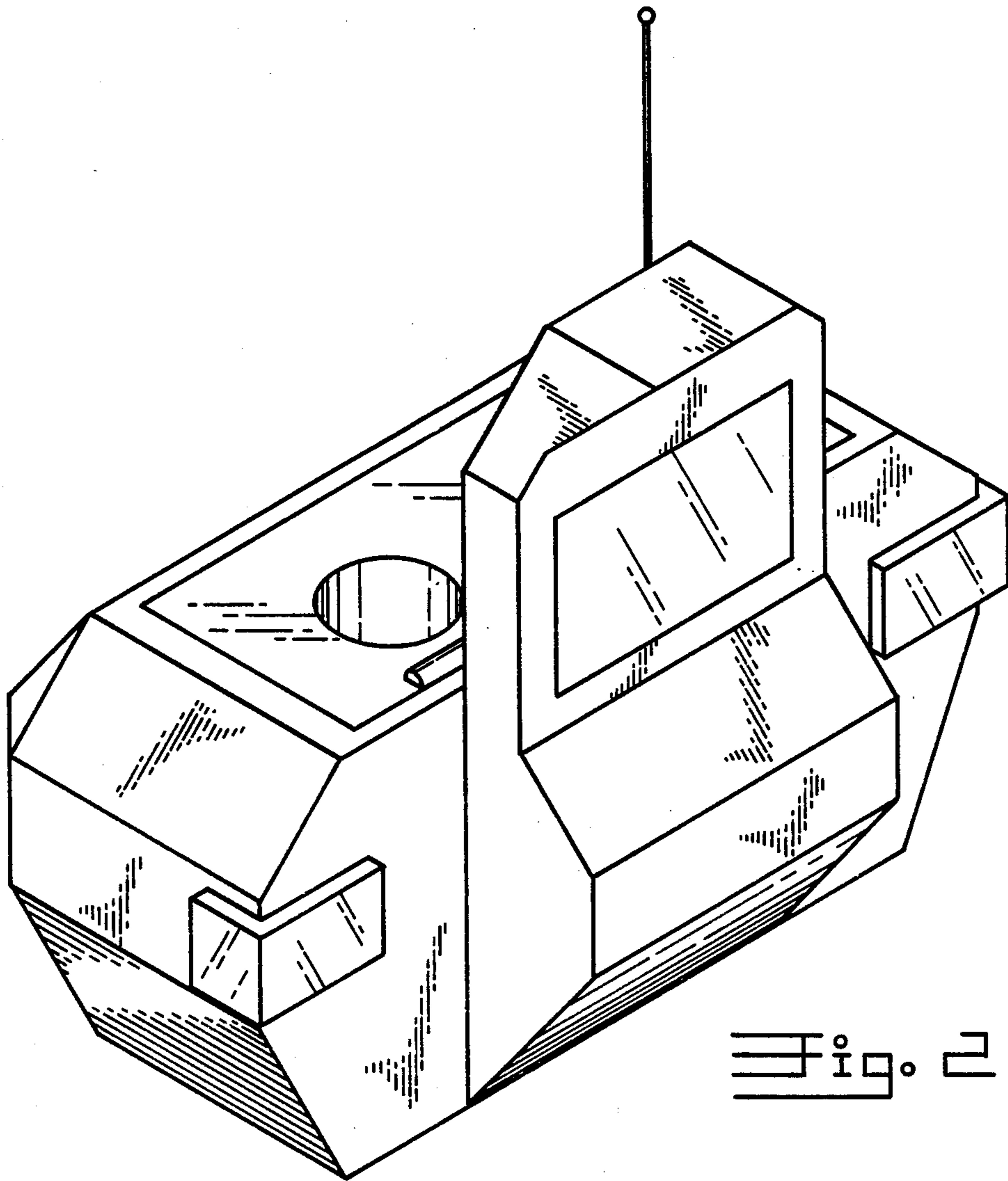


Fig. 2

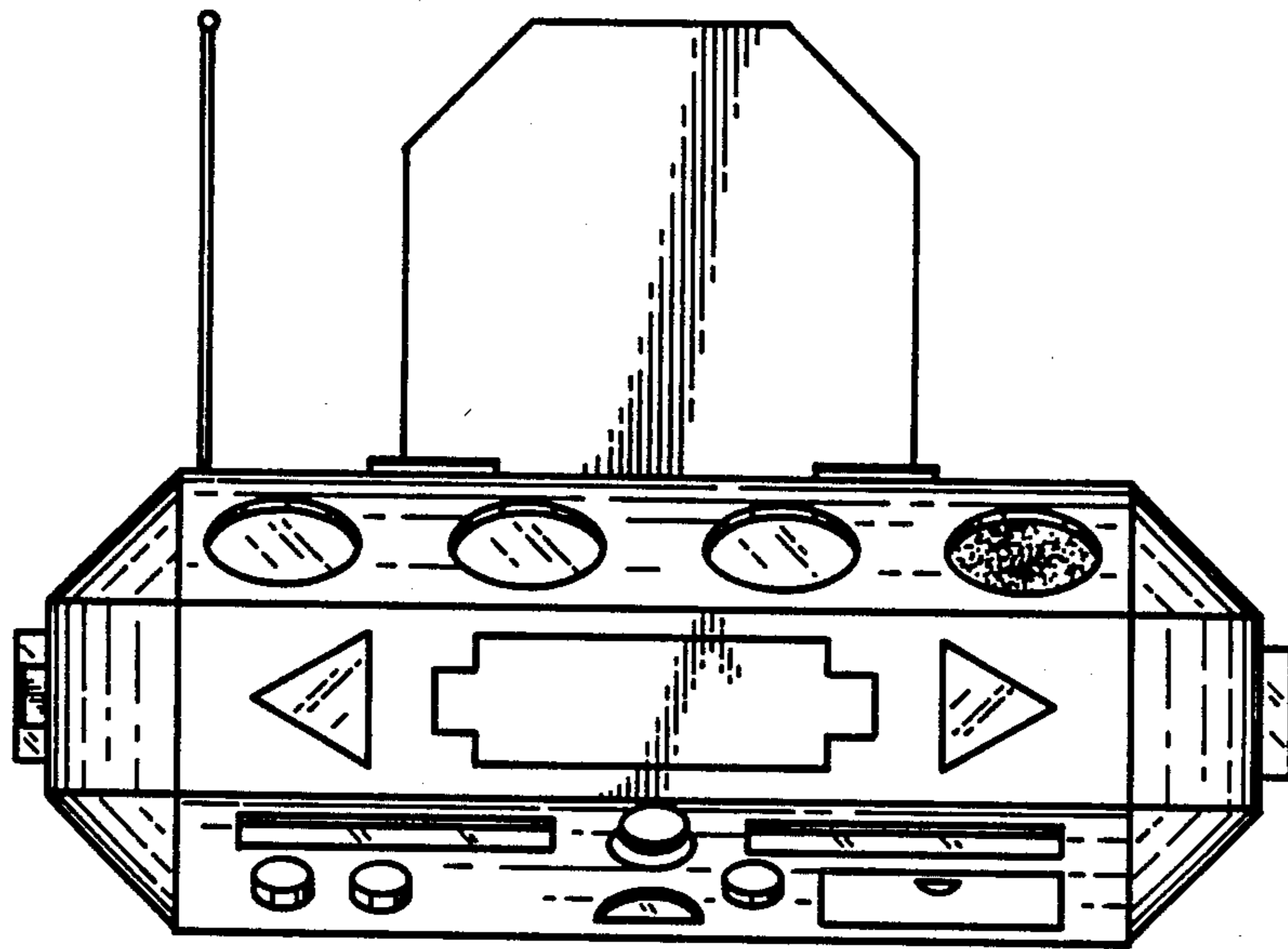


Fig. 3

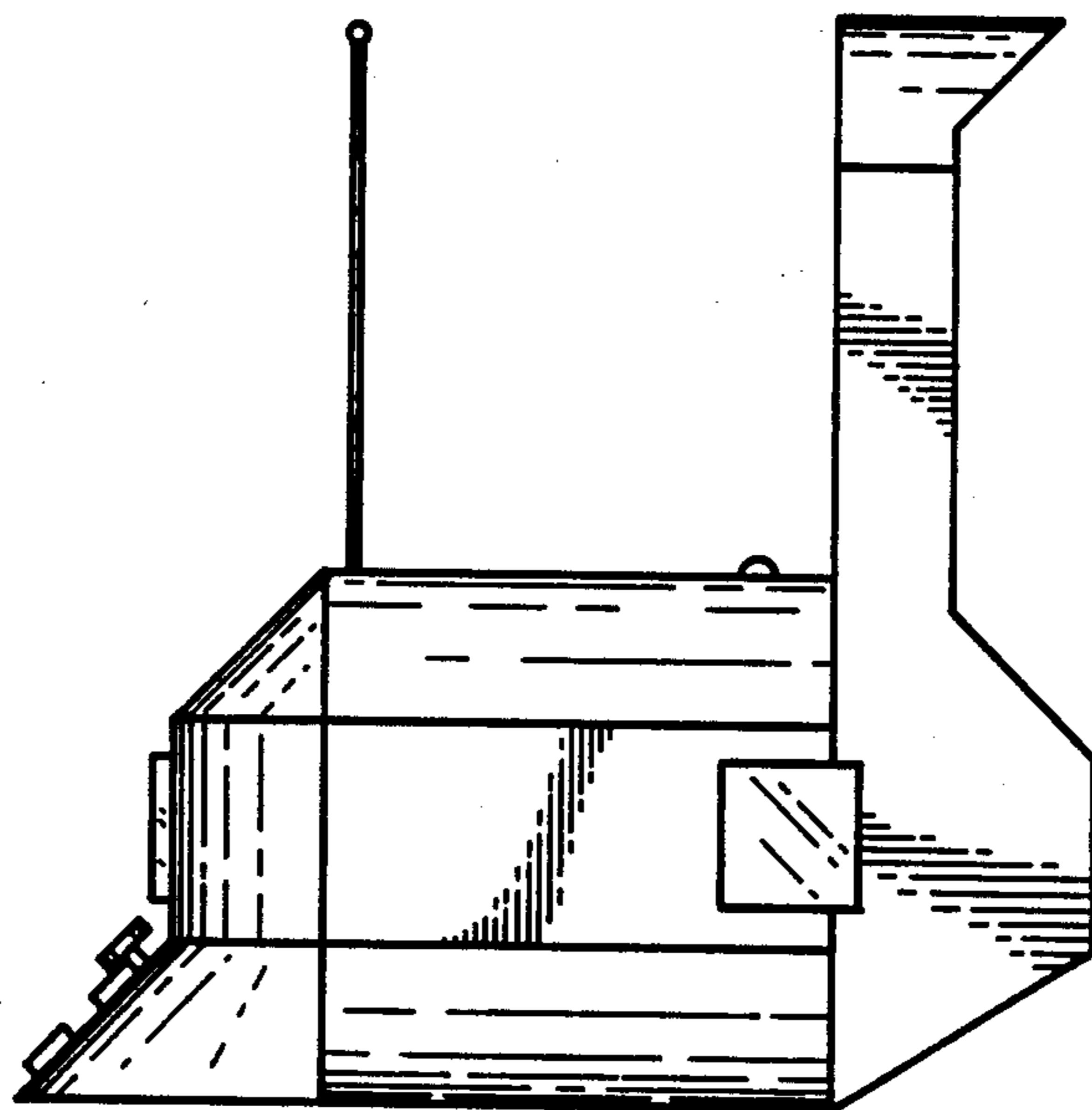


Fig. 4

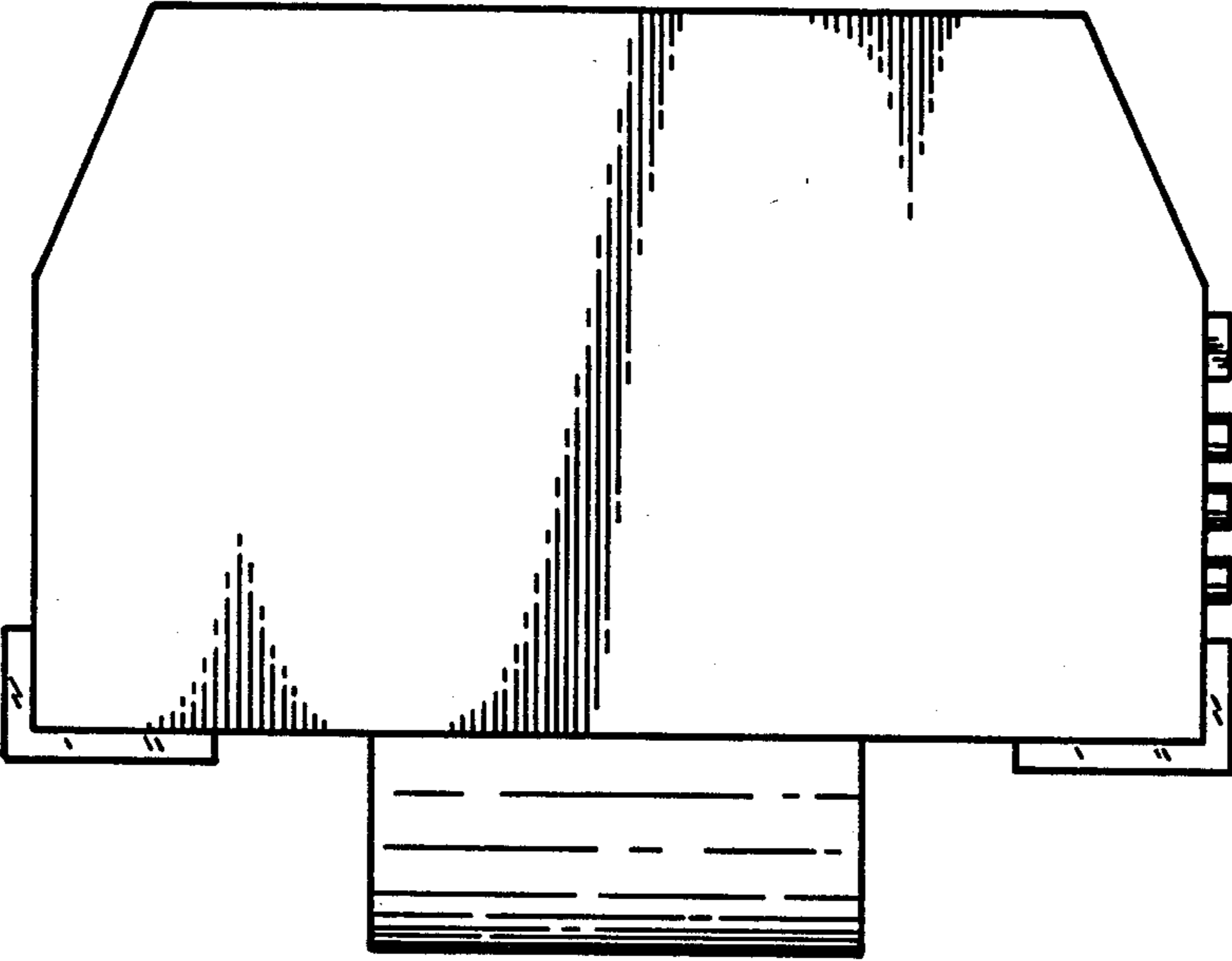


Fig. 5