

[54] **LOADING ATTACHMENT FOR EMPTYING
REFUSE BIN INTO A GARBAGE TRUCK**

[76] **Inventor: Anthony J. Crozier, Lot 38 Fyfe
Road, Kellyville, New South Wales
2153, Australia**

[**] **Term: 14 Years**

[21] **Appl. No.: 828,016**

[22] **Filed: Feb. 10, 1986**

[52] **U.S. Cl. D12/15; D34/28**

[58] **Field of Search D34/28; D12/15, 14;
414/408, 406, 407, 421, 422, 409**

[56] **References Cited**

U.S. PATENT DOCUMENTS

4,687,405 8/1987 Olney 414/421
4,722,658 2/1988 Würtz et al. 414/408

FOREIGN PATENT DOCUMENTS

8303242 9/1983 PCT Int'l Appl. 414/422
2128578 5/1984 United Kingdom 414/406

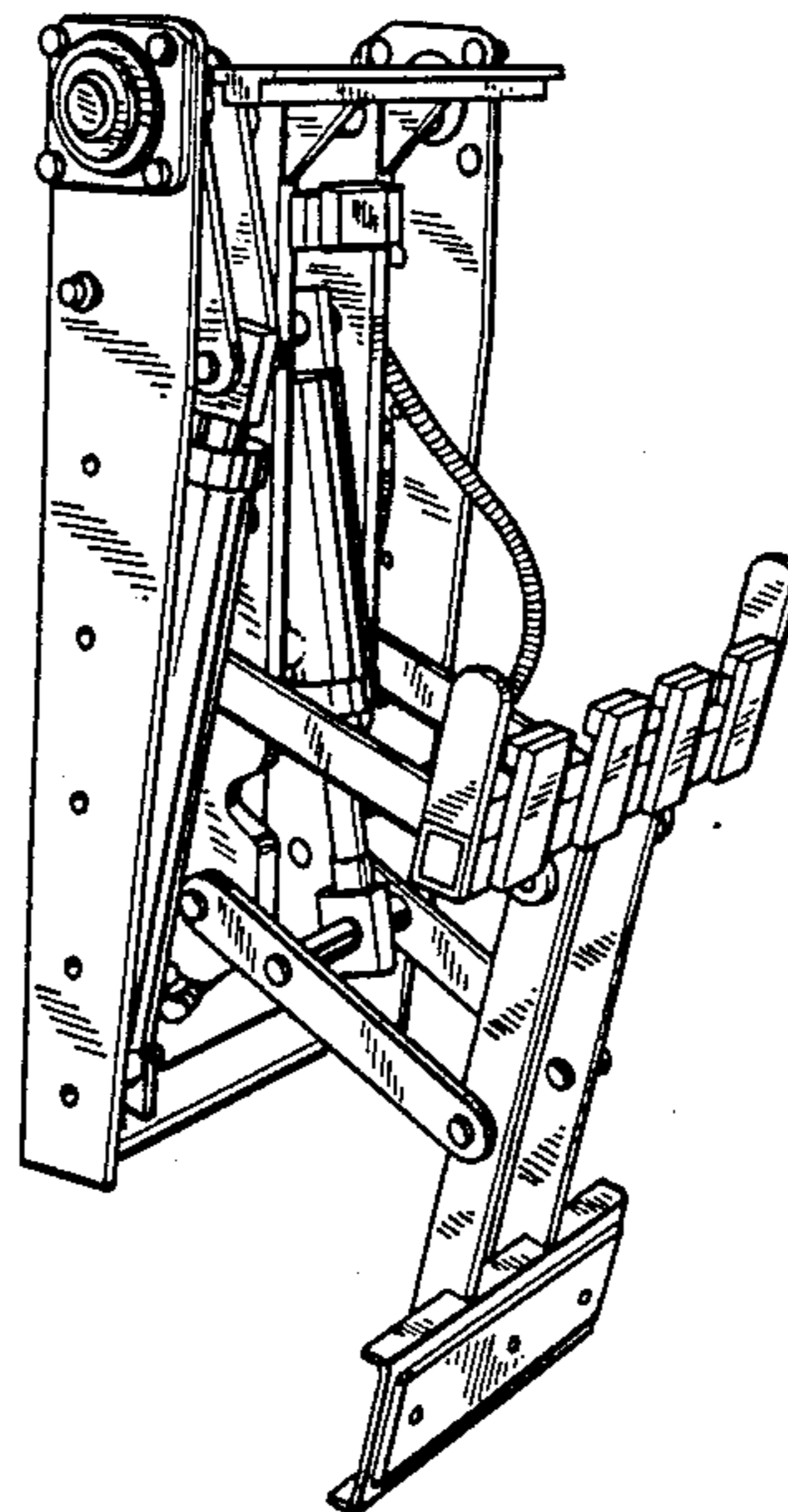
Primary Examiner—Wallace R. Burke
Assistant Examiner—Kay H. Chin
Attorney, Agent, or Firm—Ladas & Parry

[57] **CLAIM**

The ornamental design for a loading attachment for emptying refuse bin into a garbage truck, as shown and described.

DESCRIPTION

FIG. 1 is a perspective view of a loading attachment for emptying refuse bin into a garbage truck showing my new design;
FIG. 2 is a top plan view thereof;
FIG. 3 is a front elevational view thereof;
FIG. 4 is a side elevational view thereof and
FIG. 5 is a rear elevation view.



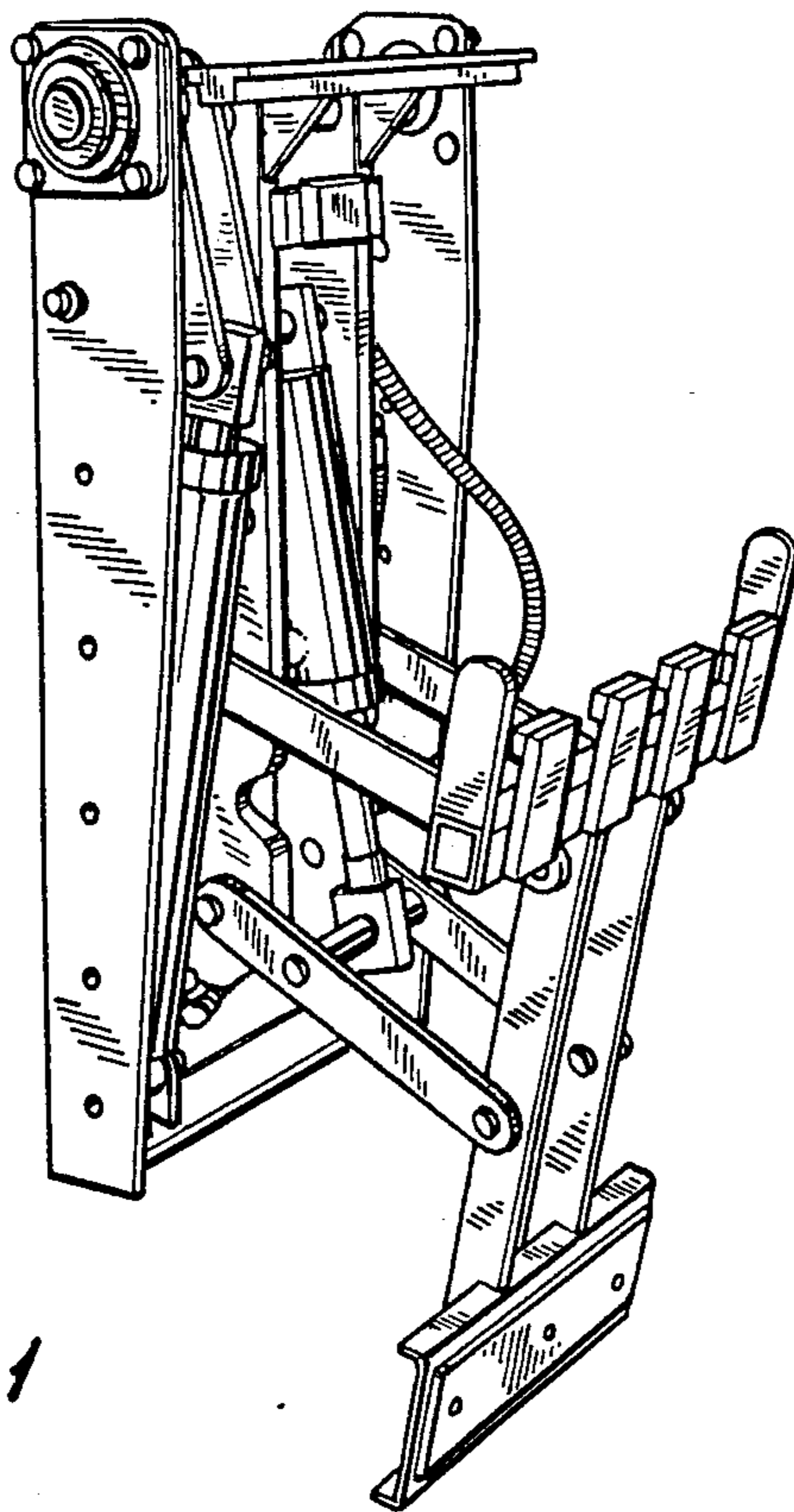


FIG. 1

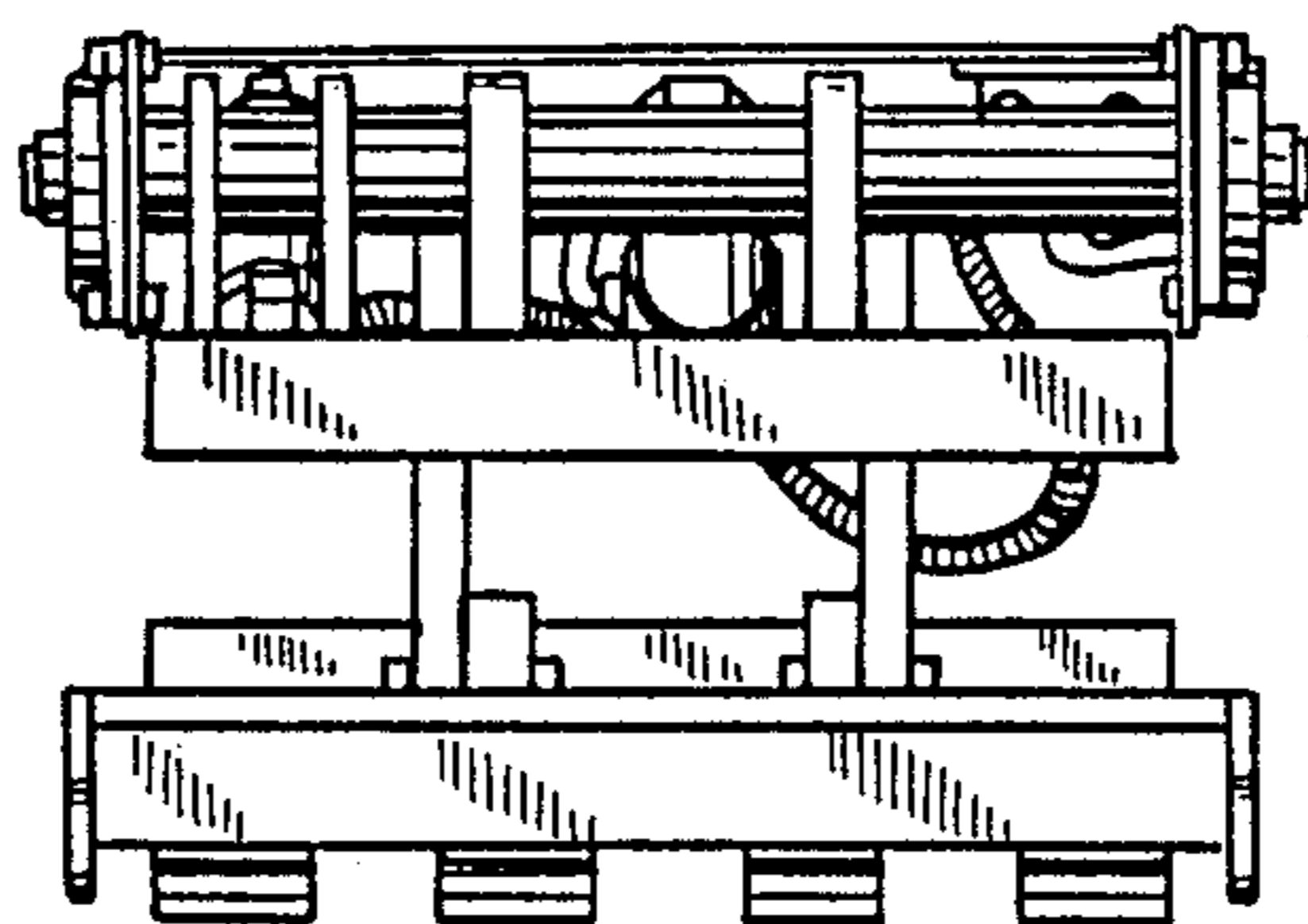


FIG. 2

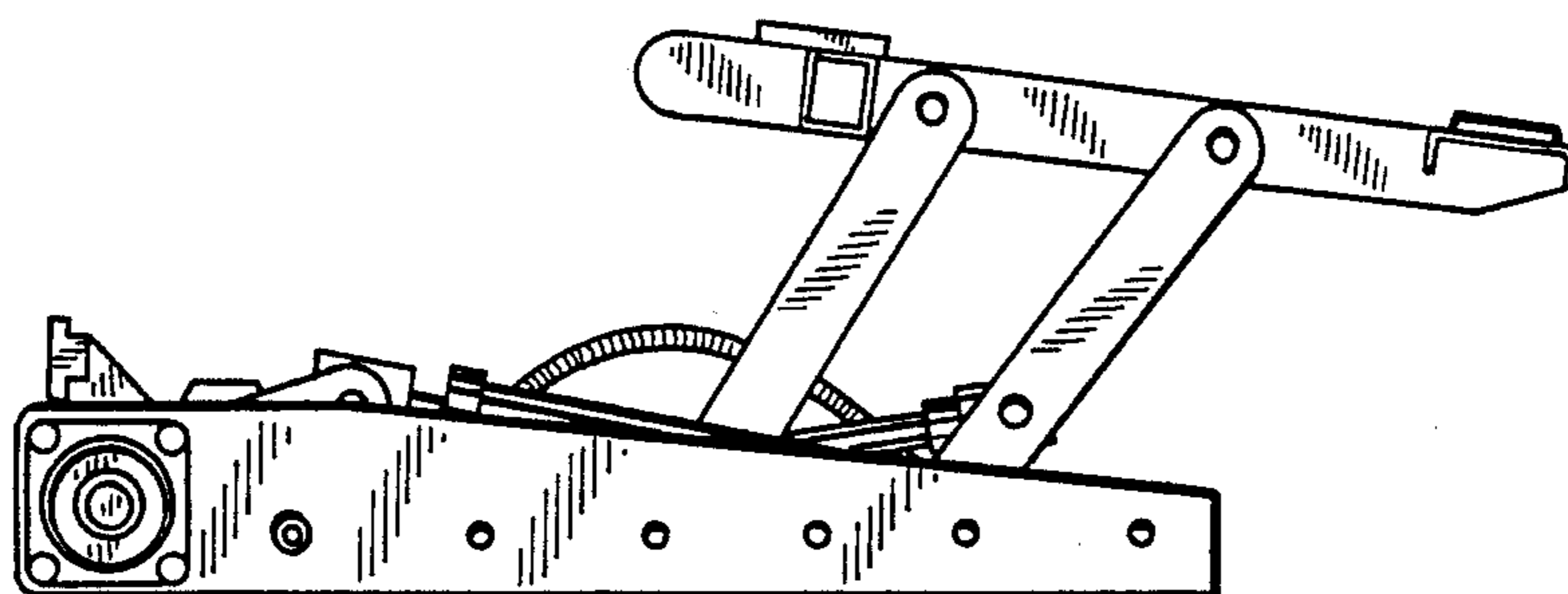


FIG. 4

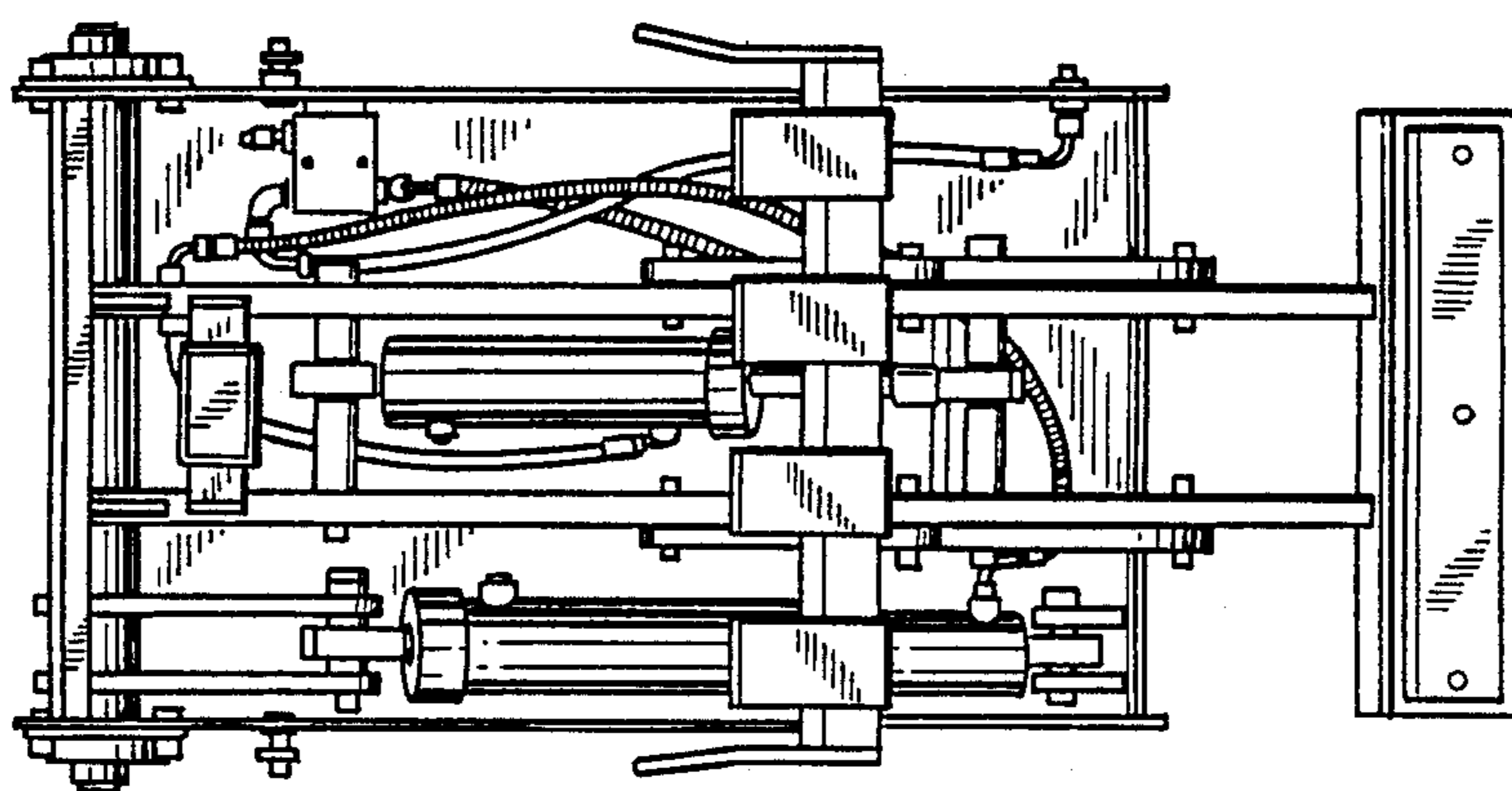


FIG. 3

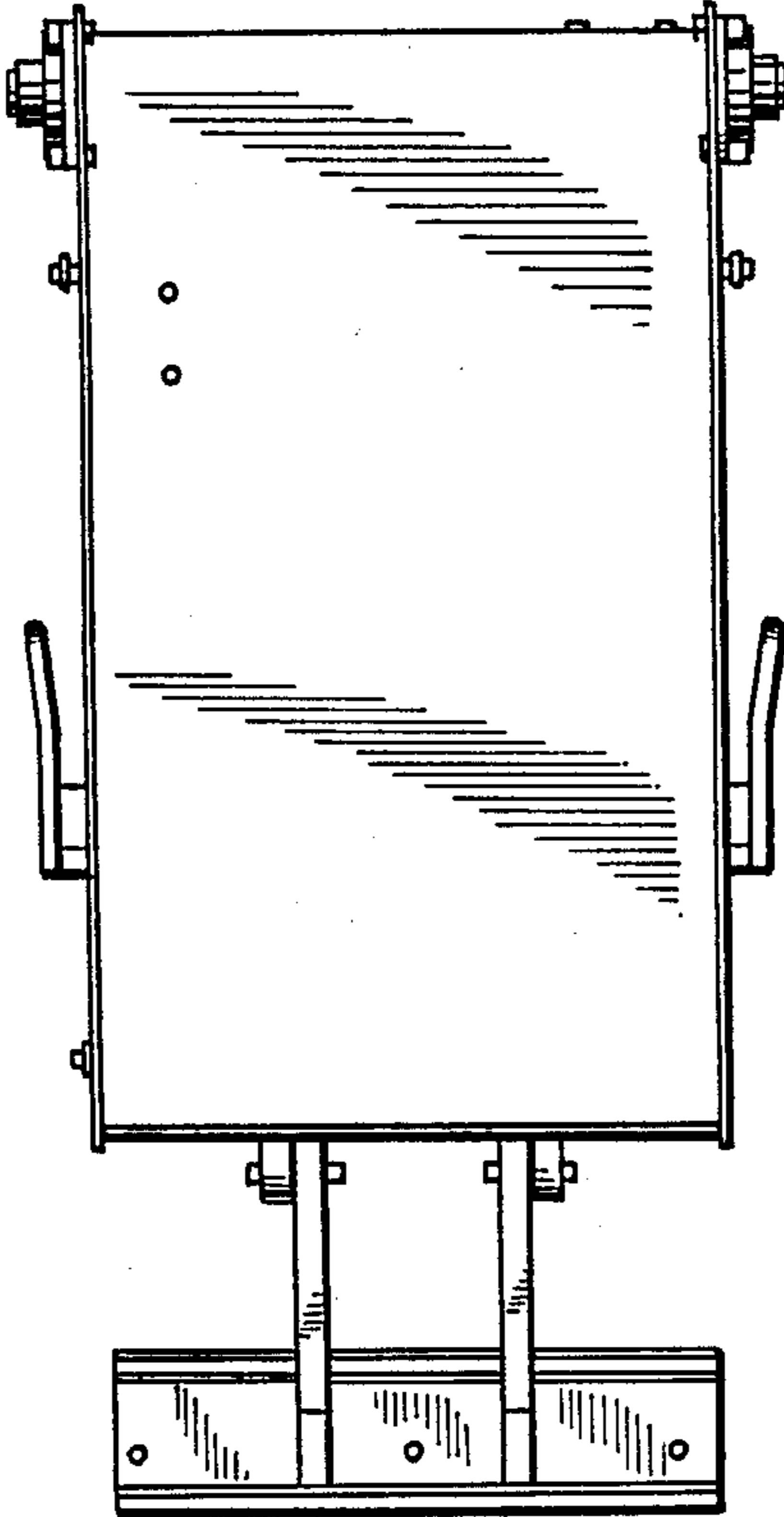


FIG. 5