

[54] BUCKLE

[75] Inventor: Robert M. Johnston, Toronto, Canada

[73] Assignee: Cooper Canada Limited, Toronto, Canada

[**] Term: 14 Years

[21] Appl. No.: 21,709

[22] Filed: Mar. 4, 1987

[30] Foreign Application Priority Data

Nov. 13, 1986 [CA] Canada 13-11-86-3

[52] U.S. Cl. D11/216; 24/191

[58] Field of Search 24/170, 191, 192, 193, 24/176, 198, 200; D11/200, 218, 216

[56] References Cited

U.S. PATENT DOCUMENTS

45,540 1/1914 Rumble, Jr. D11/218
D 267,130 12/1982 Goldman D11/216
906,391 12/1908 Dickson et al. 24/170
1,443,145 1/1923 Prentice 24/191
1,495,471 2/1923 Fiedler 24/191
1,605,441 11/1926 Kallajian 24/191
2,110,684 3/1938 Schuhmann D11/200

FOREIGN PATENT DOCUMENTS

1141618 3/1957 France 24/170

Primary Examiner—Louis S. Zarfes

Assistant Examiner—R. Seifert
Attorney, Agent, or Firm—Sim & McBurney

[57] CLAIM

The ornamental design for a buckle, as shown and described.

DESCRIPTION

FIG. 1 is a perspective view of a buckle in a closed position, seen from the rear and slightly above, showing my new design;

FIG. 2 is a left side elevational view of a buckle in a closed position, seen from the rear and slightly above, showing my new design;

FIG. 3 is a perspective view thereof, seen from in front and slightly below;

FIG. 4 is a perspective view thereof, in the open position, seen from the rear a slightly above;

FIG. 5 is a left side elevational view thereof, in the open position;

FIG. 6 is a perspective view thereof, in the open position, seen from in front and slightly below;

FIG. 7 is a top plan view thereof, in the closed position;

FIG. 8 is a rear elevational view thereof;

FIG. 9 is a bottom plan view thereof, in the closed position;

FIG. 10 is a front elevational view thereof;

FIG. 11 is a top plan view thereof, in the open position;

FIG. 12 is a front elevational view thereof;

FIG. 13 is a bottom plan view thereof, in the open position; and

FIG. 14 is a rear elevational view thereof.

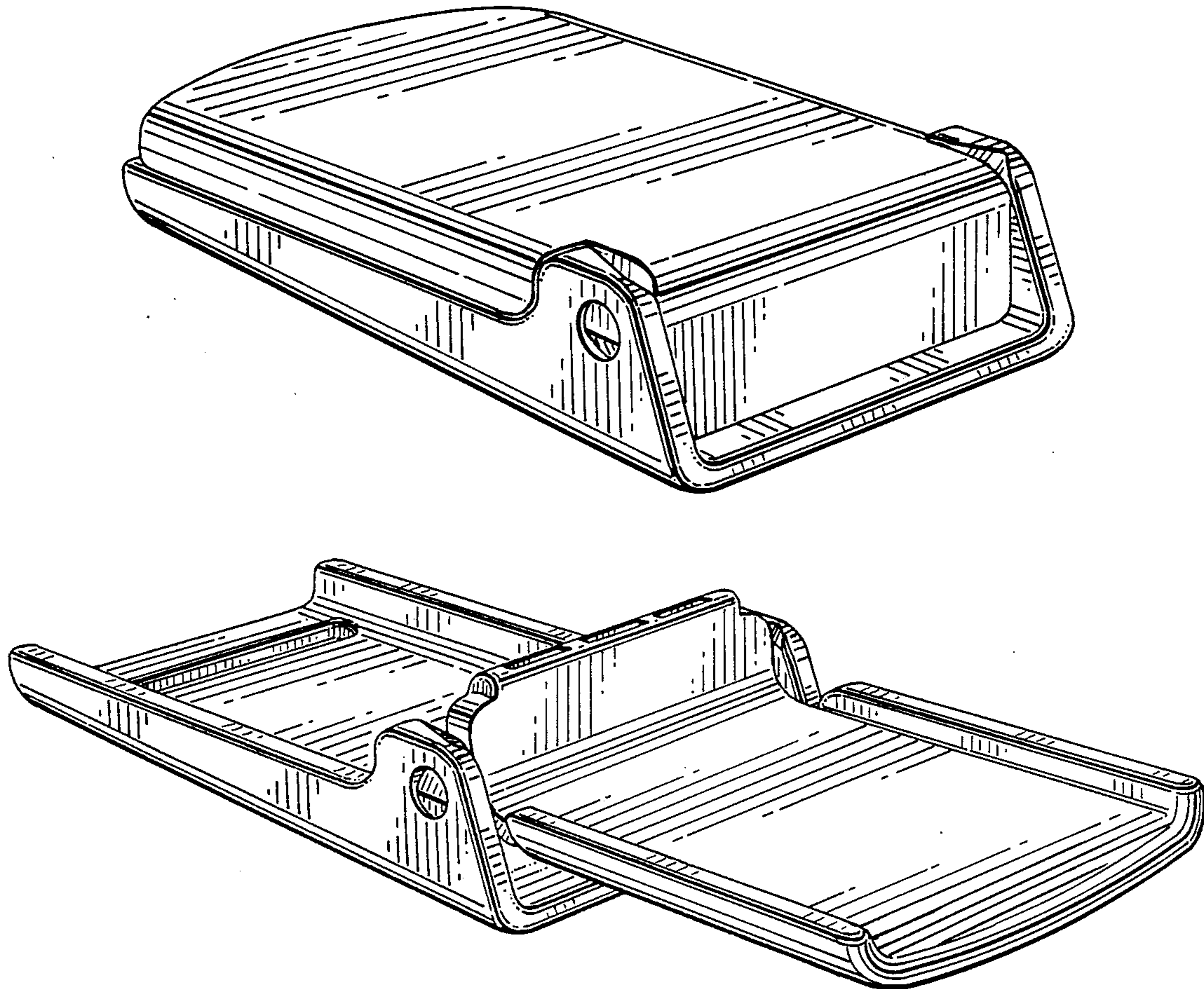


FIG. 1

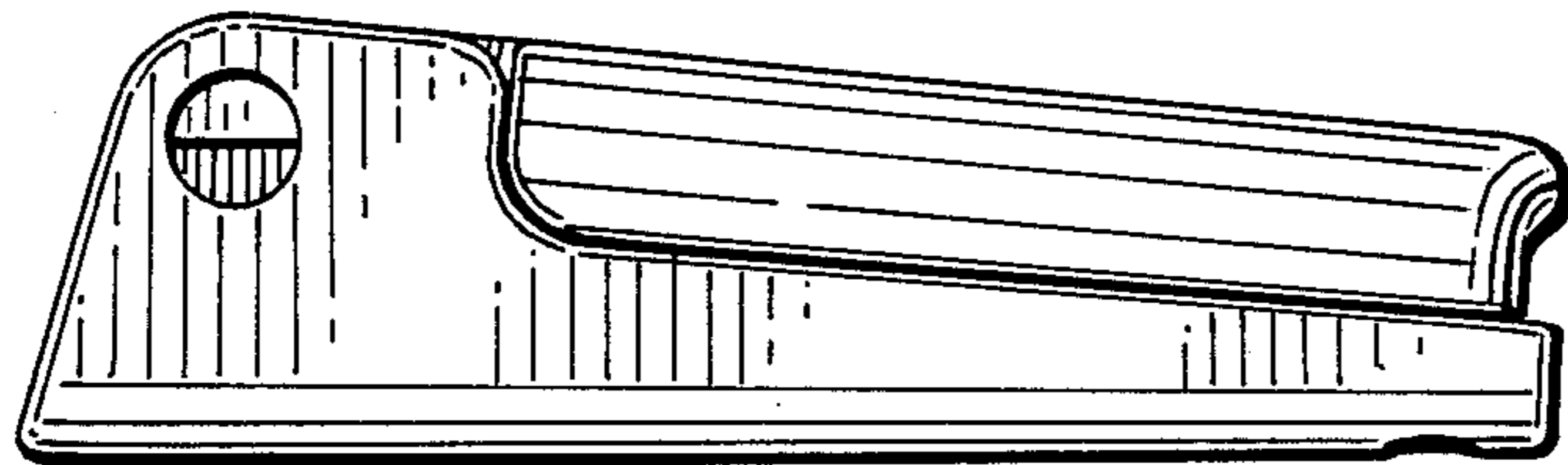
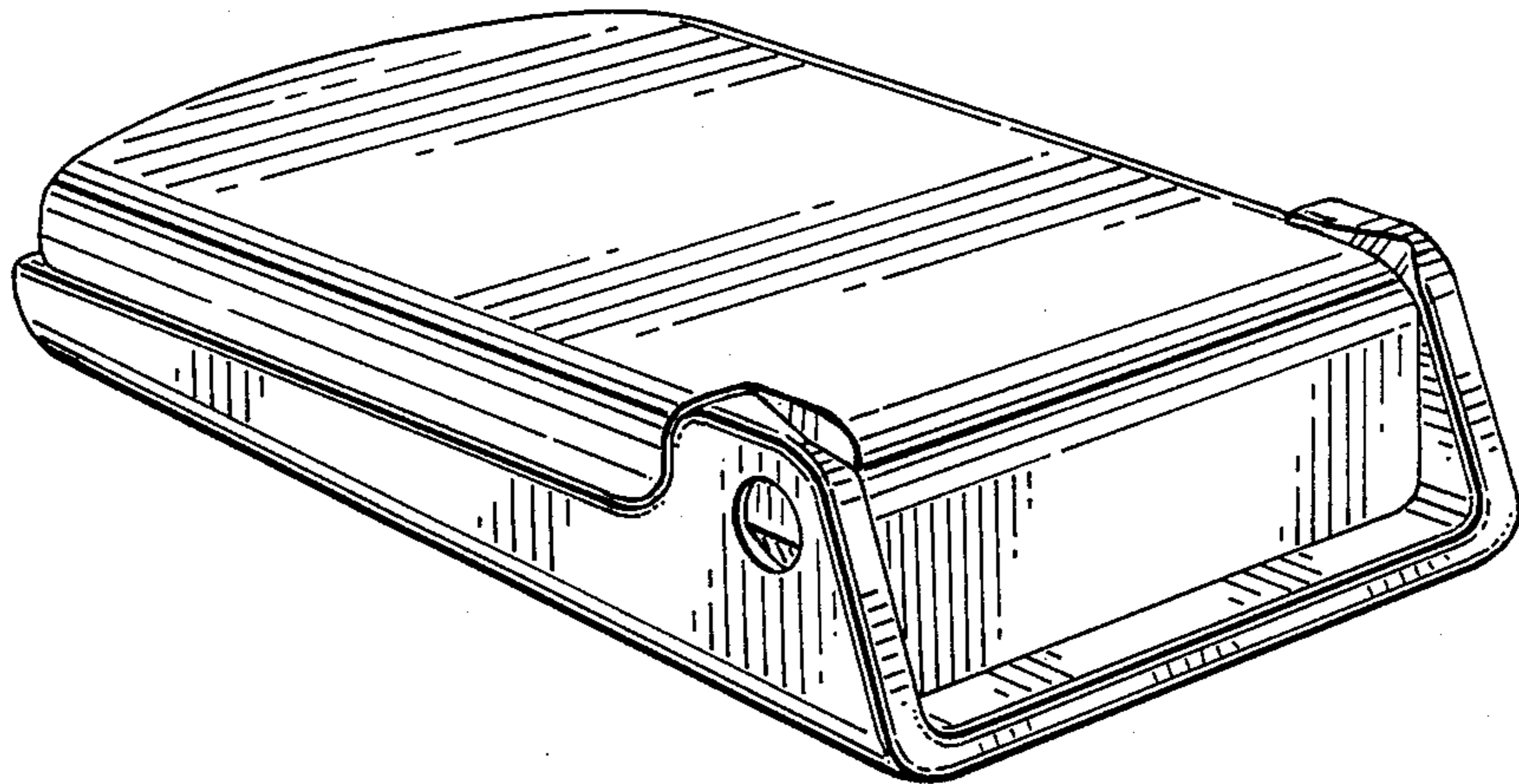


FIG. 2

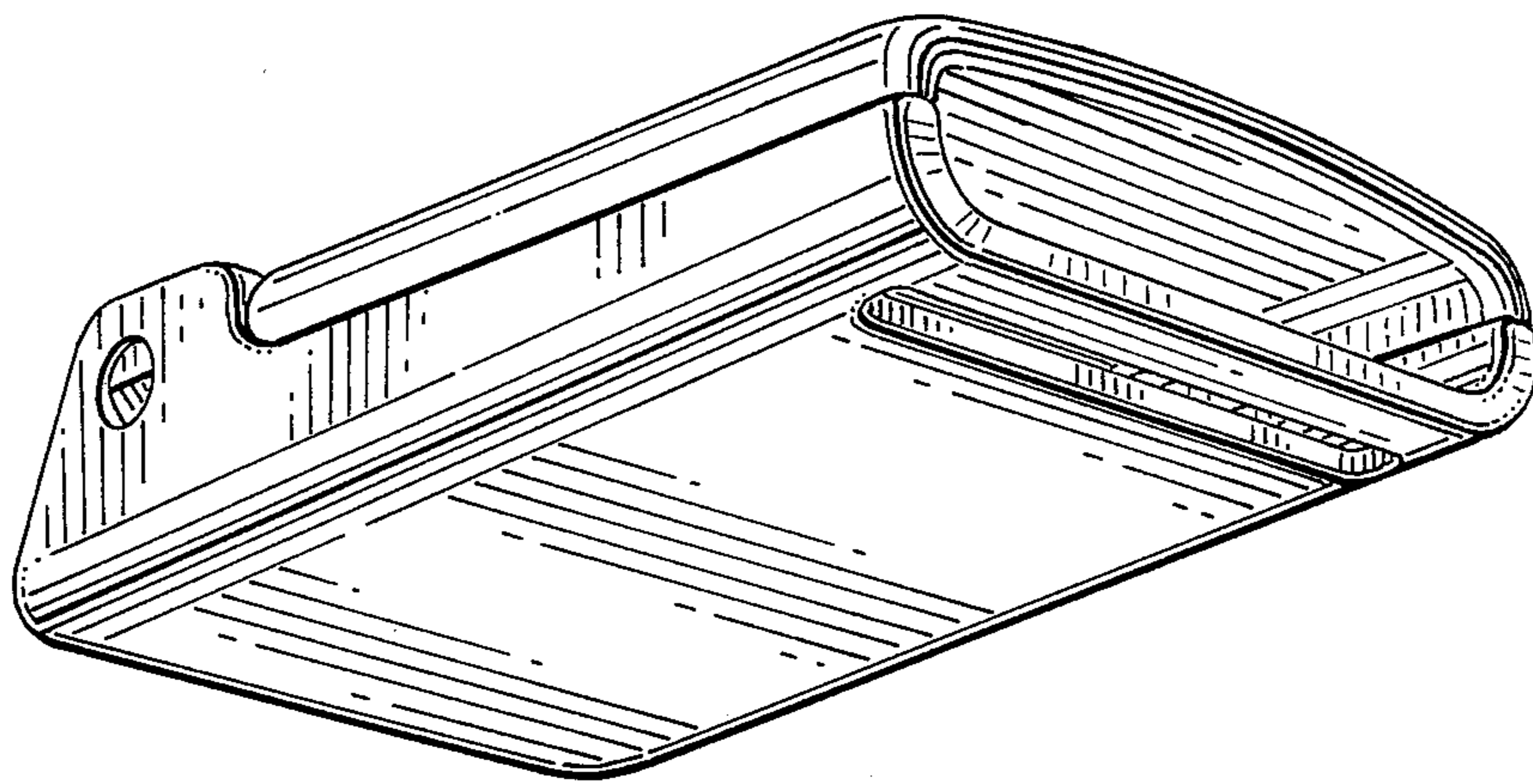
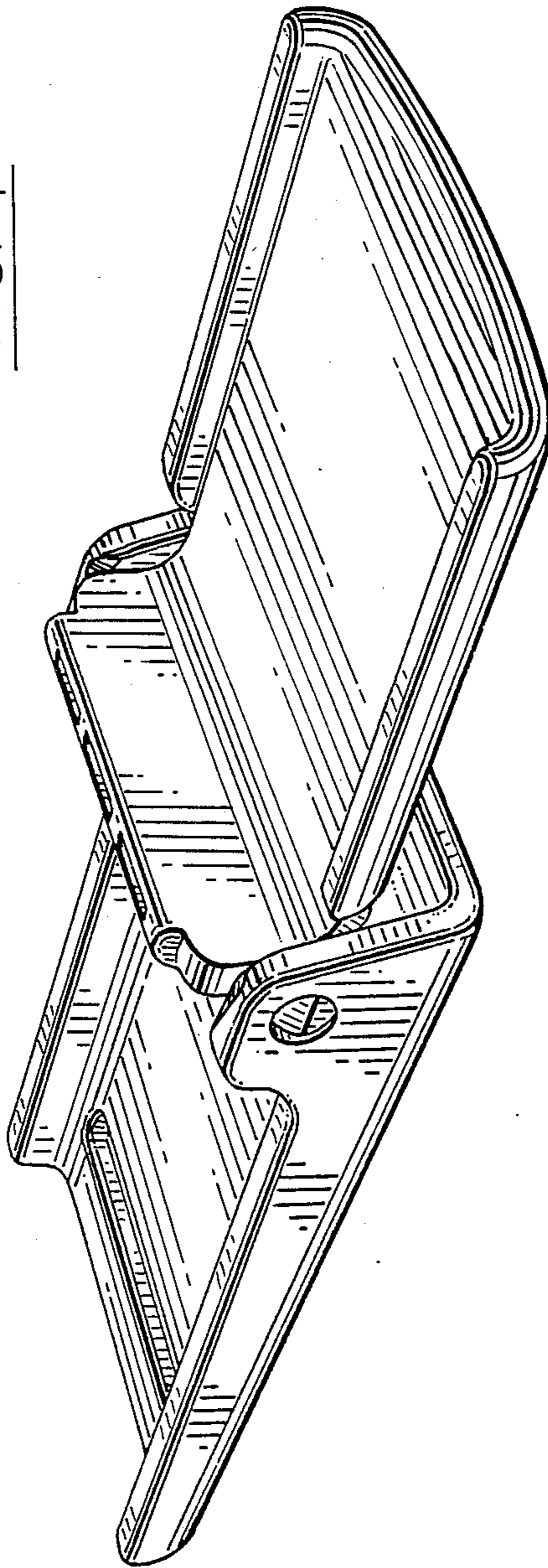
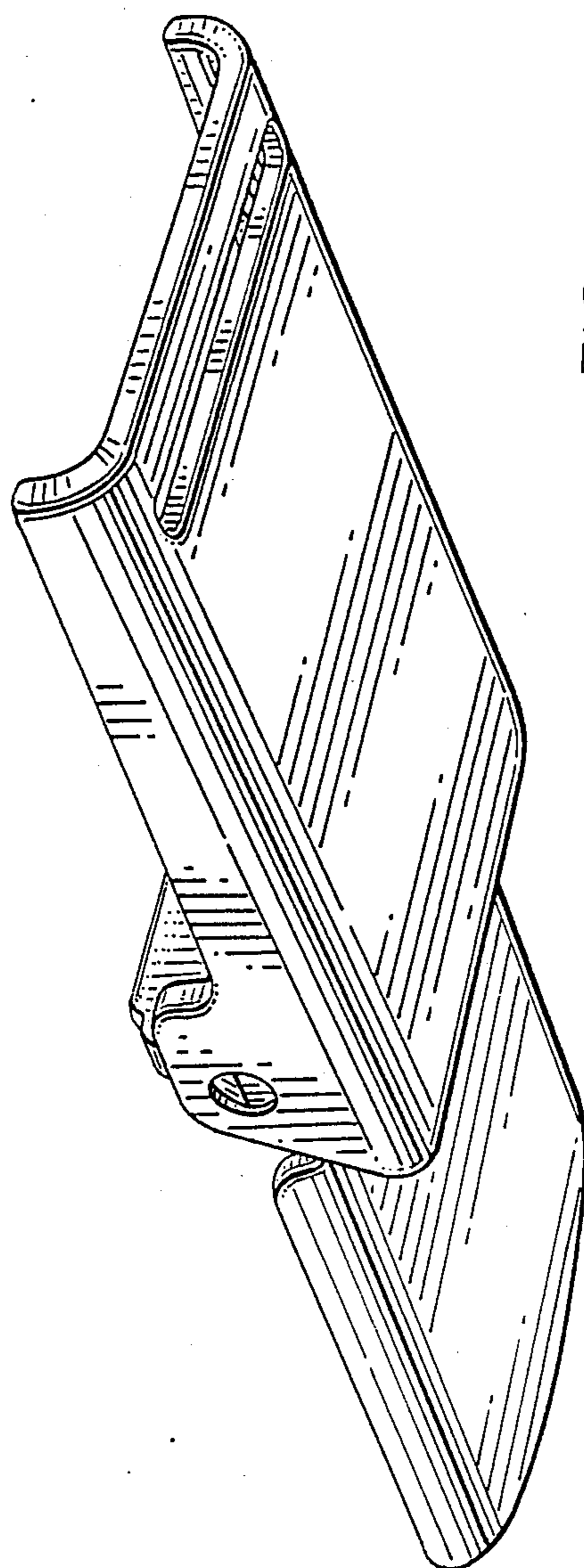
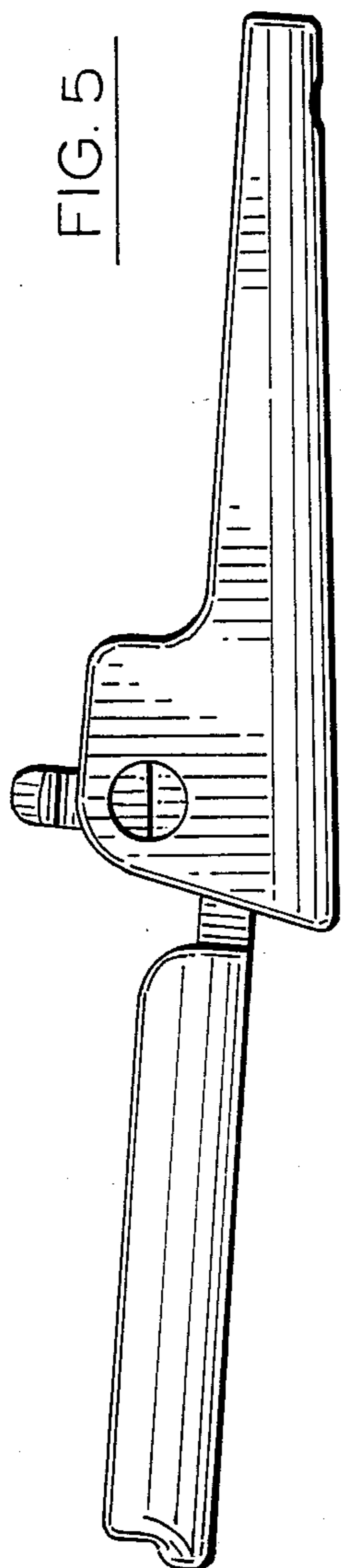


FIG. 3

FIG. 4





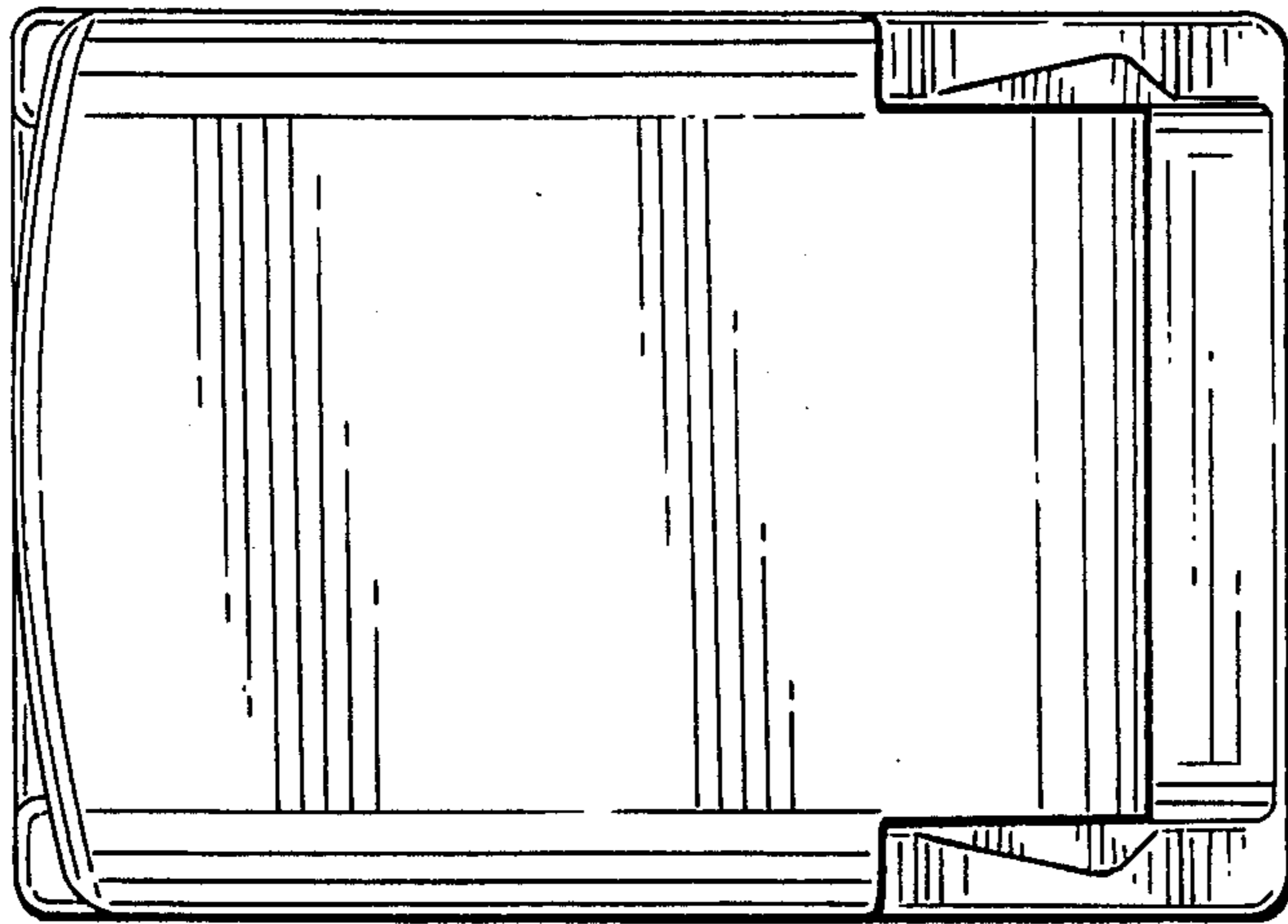


FIG. 7

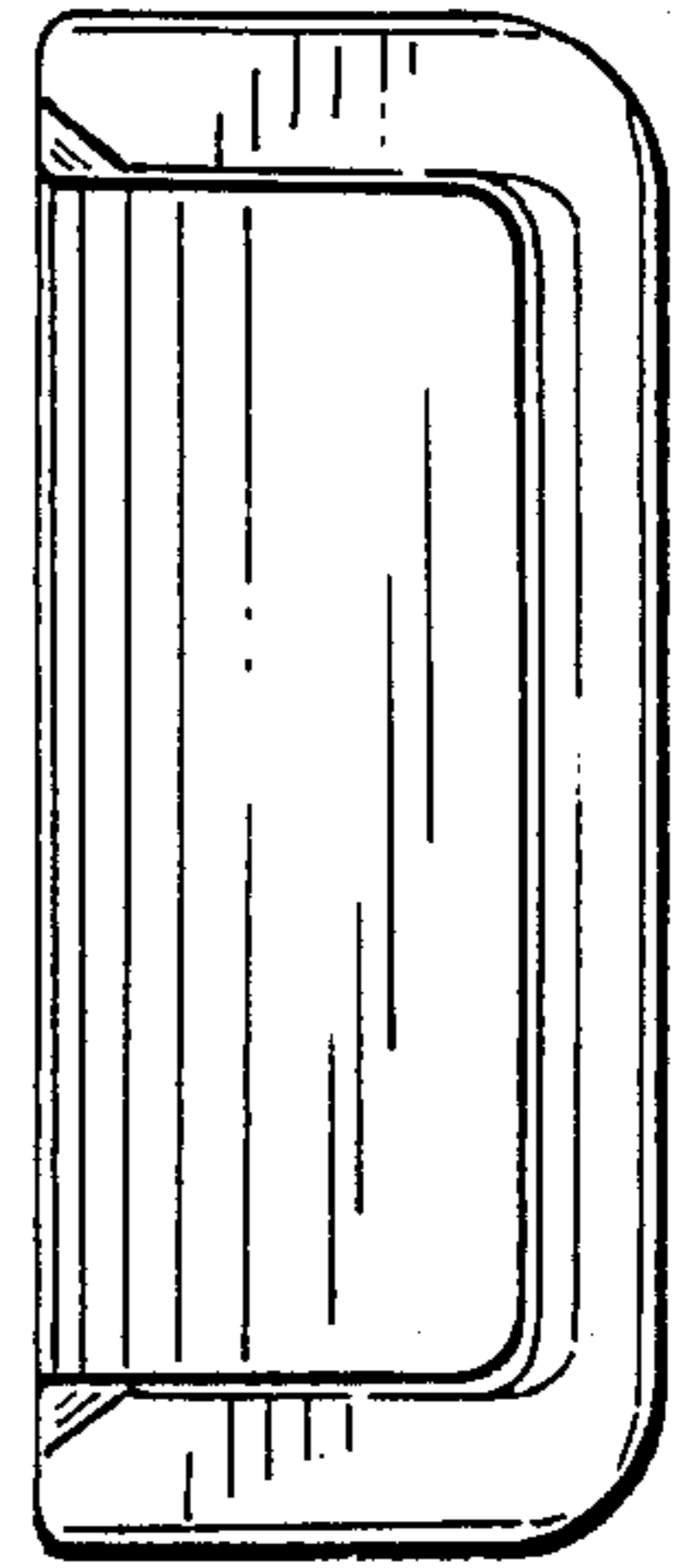


FIG. 8

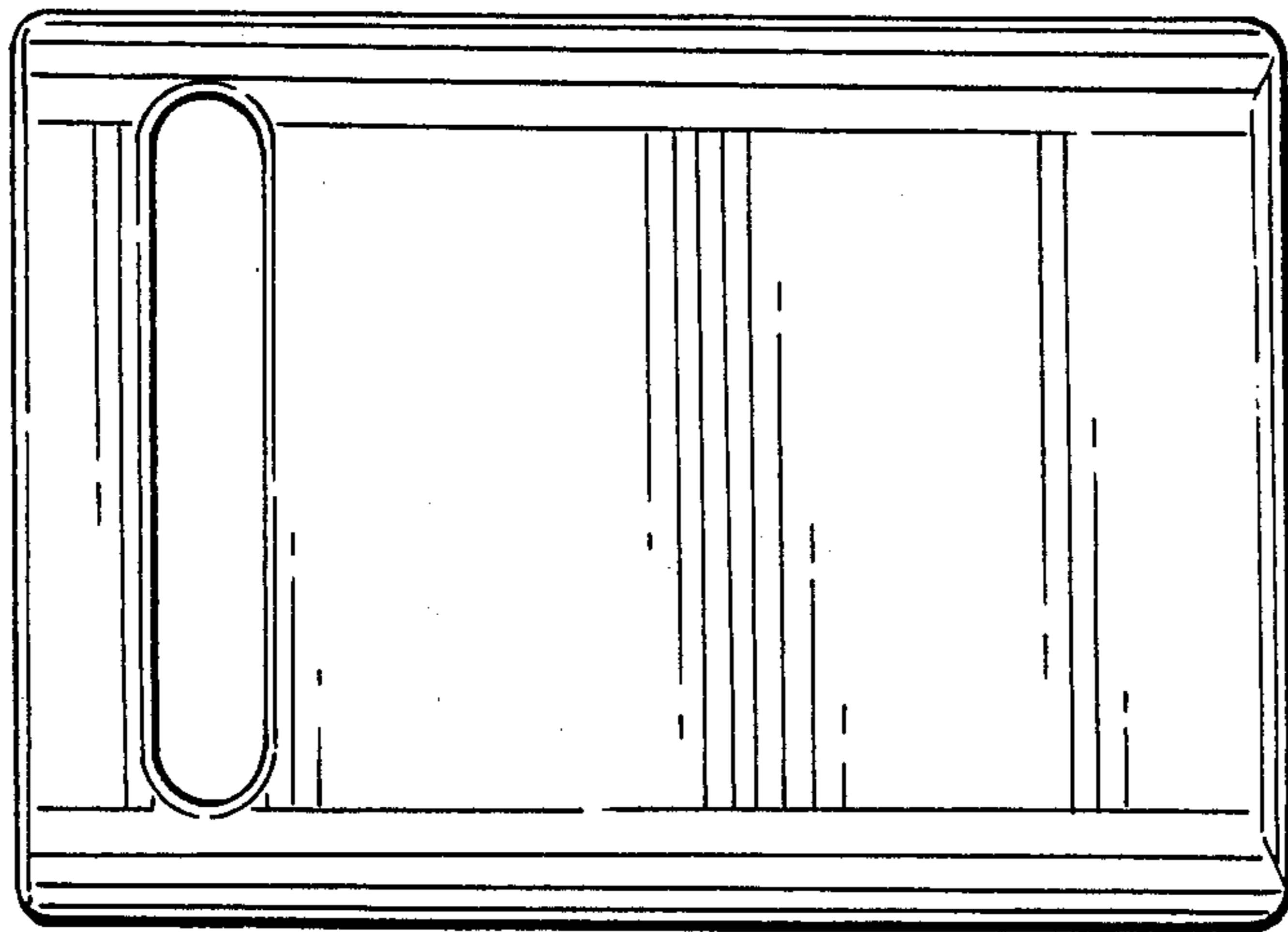


FIG. 9

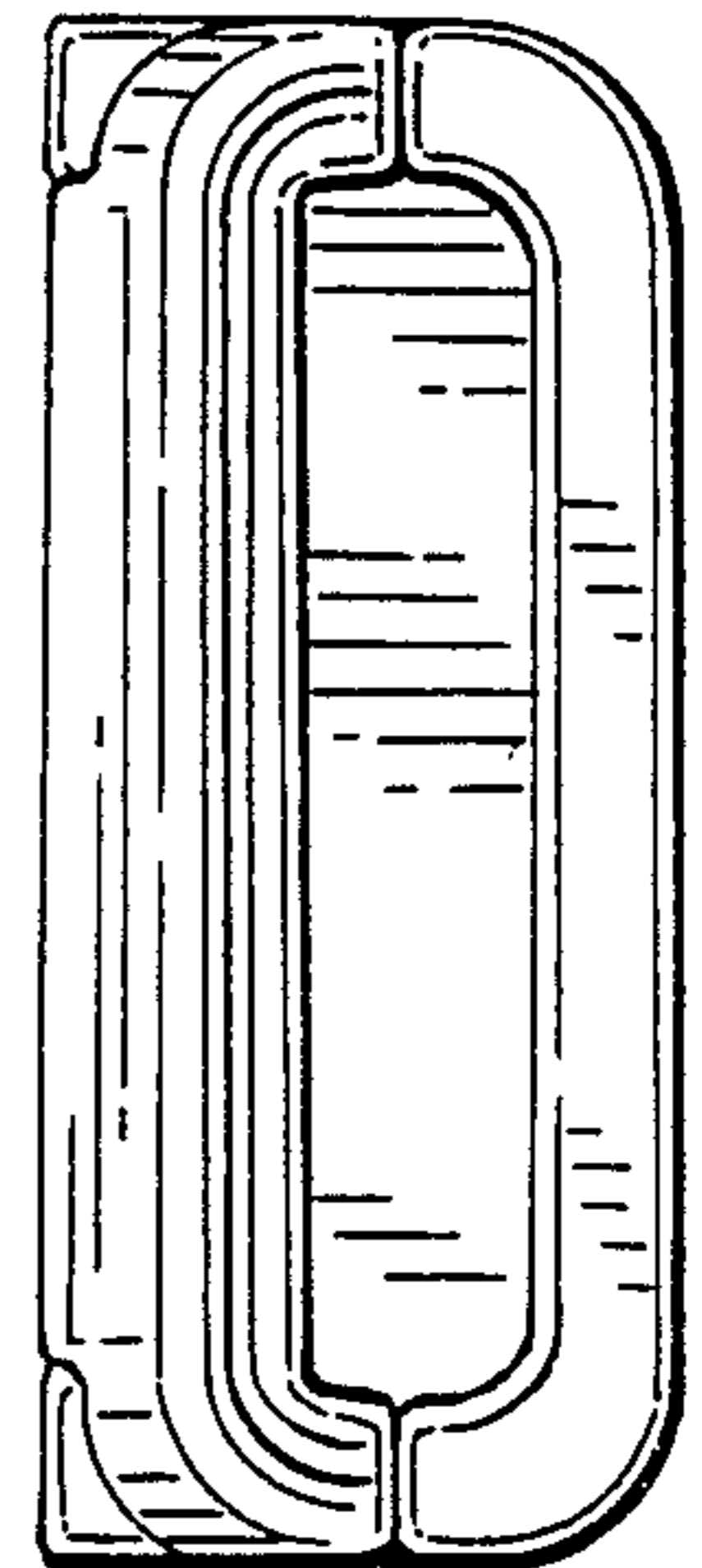


FIG. 10

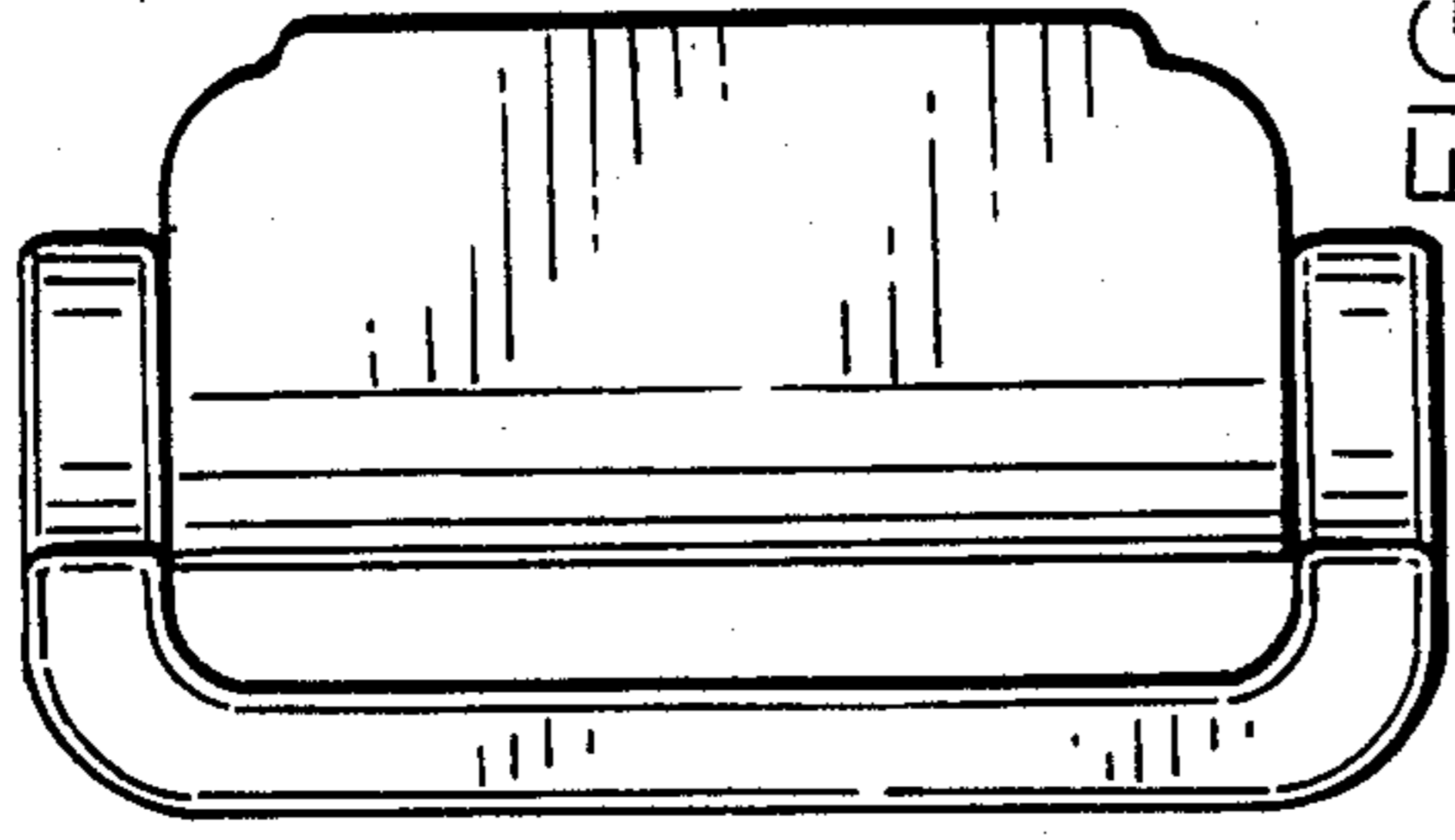


FIG. 12

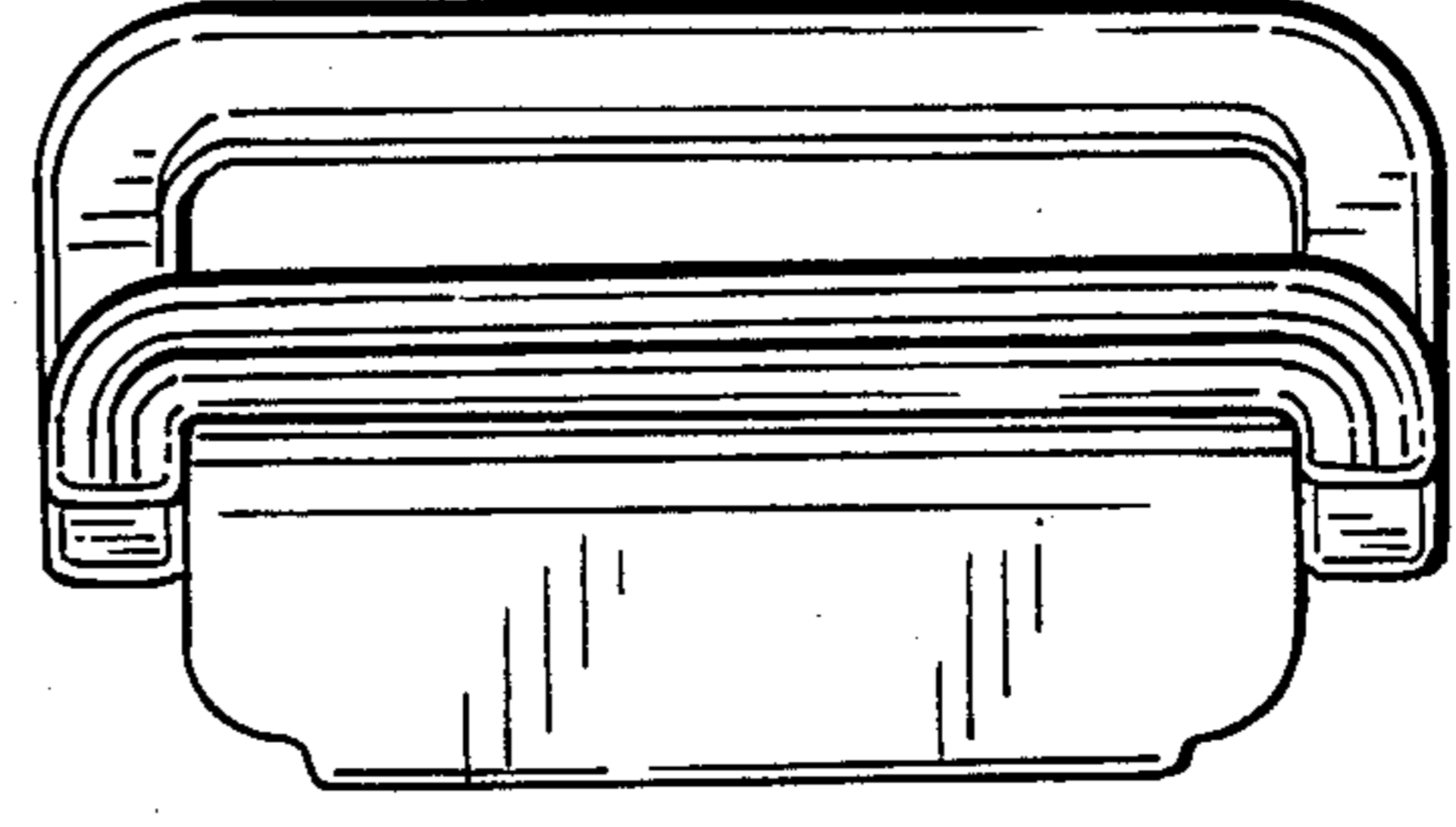


FIG. 14

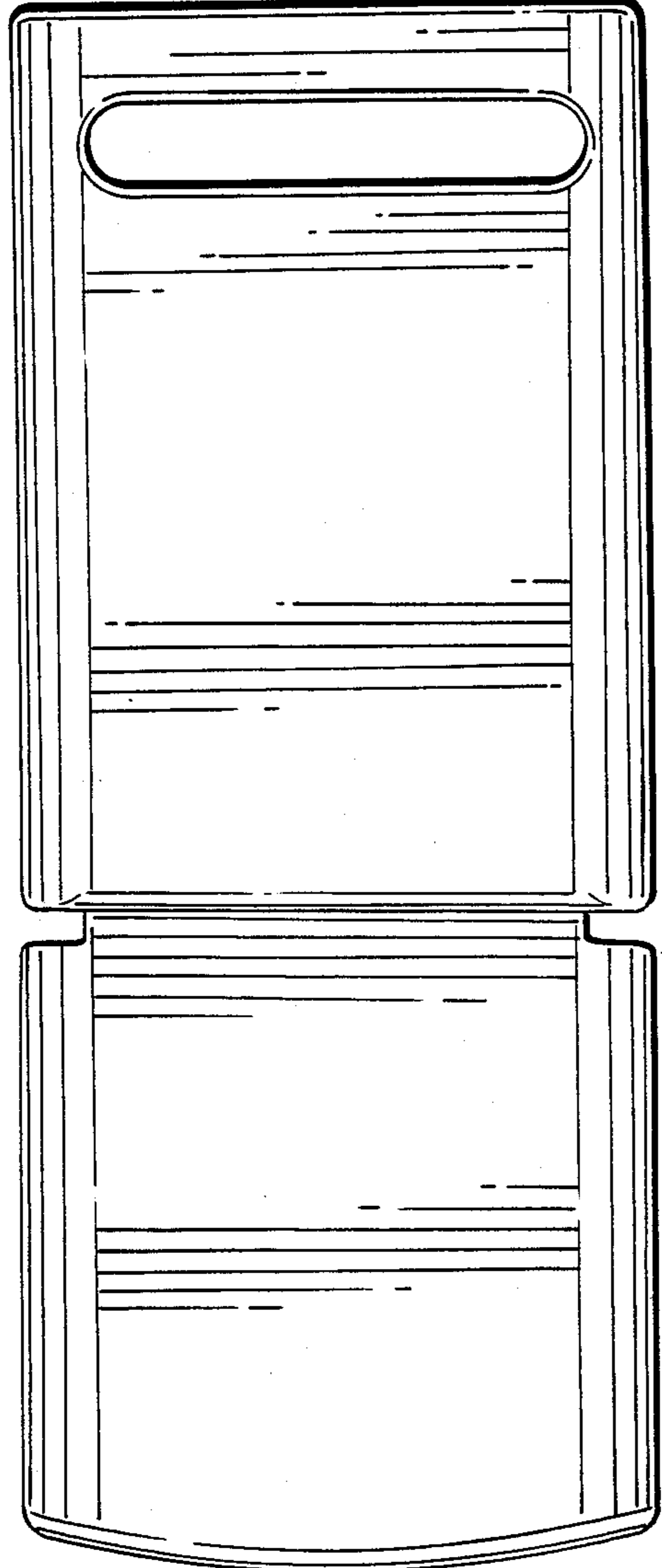


FIG. 11

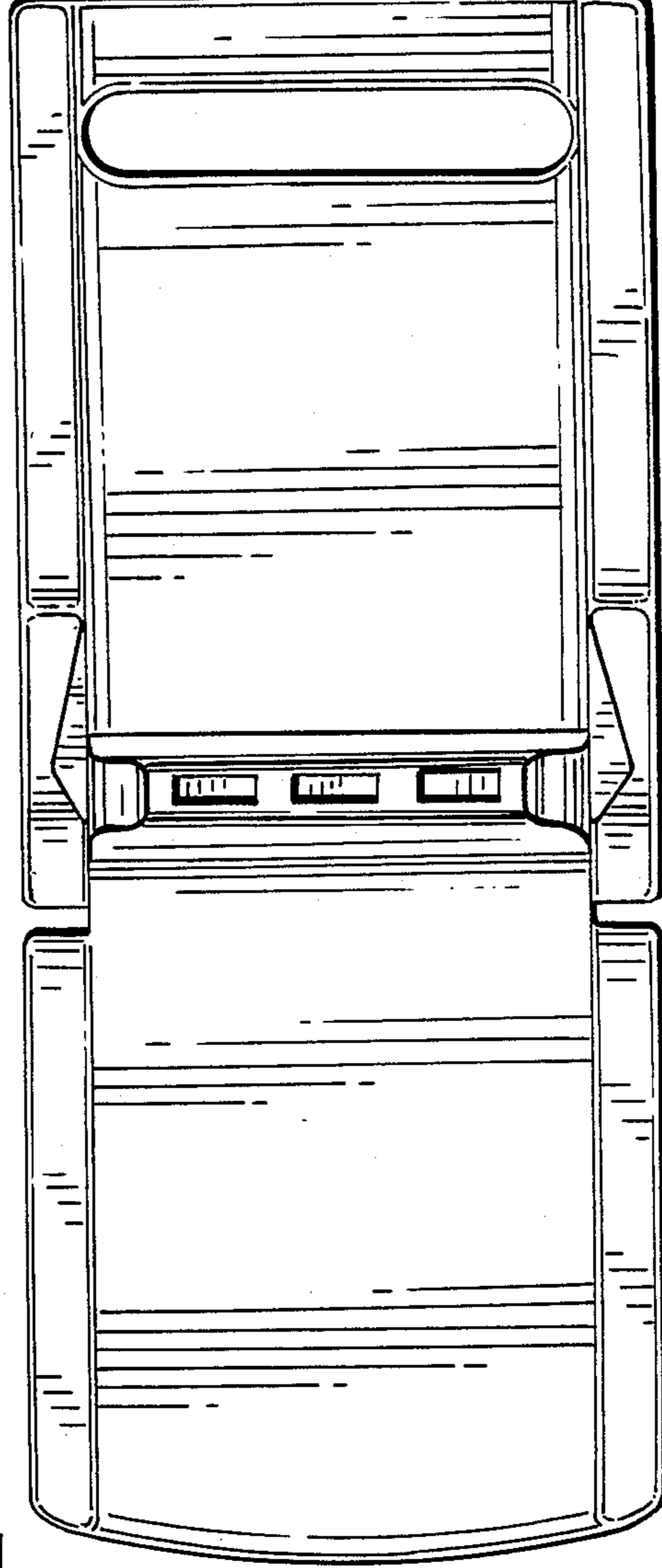


FIG. 13