

[54] HAIR CURLER

DESCRIPTION

[76] Inventor: Anthony J. Ina, 11436 Edgewater Dr., Cleveland, Ohio 44102

[**] Term: 14 Years

[21] Appl. No.: 80,373

[22] Filed: Jul. 31, 1987

[52] U.S. Cl. D28/37

[58] Field of Search D28/9-18, D28/35, 37, 38; 219/222, 225; 132/7, 9, 31 R, 32 R, 38 R, 38 A, 39, 40, 42 R, 42 A

FIG. 1 is a perspective view of a hair curler showing my new design in open position;

FIG. 2 is a perspective view showing principally bottom portions thereof;

FIG. 3 is a right end elevational view thereof;

FIG. 4 is a left end elevational view thereof;

FIG. 5 is a front side elevational view thereof;

FIG. 6 is a top plan view thereof;

FIG. 7 is a bottom plan view thereof;

FIG. 8 is a perspective view similar to FIG. 1 but with the hair curler in closed position;

FIG. 9 is a right end elevational view thereof;

FIG. 10 is a left end elevational view thereof;

FIG. 11 is a front side elevational view thereof;

FIG. 12 is a top plan view thereof;

FIG. 13 is a perspective view similar to FIG. 1 but showing another form of my new design, with the embodiment of FIG. 13 differing from the embodiment of FIGS. 1-12 only in that an array of holes is formed through a body portion of the hair curler, and with the view showing principally top portions of the hair curler;

FIG. 14 is a perspective view showing principally bottom portions thereof;

FIG. 15 is a perspective view similar to FIG. 1 but showing another form of my new design, with the embodiment of FIG. 15 differing from the embodiment of FIGS. 1-12 only in that a body portion of the hair curler is hollowed out to give the interior of the curler a trough-like appearance;

FIG. 16 is a bottom plan view thereof, it being understood that the hair curler of FIGS. 15-16 is identical in top plan and elevational view to the hair curler of FIGS. 1-12;

FIG. 17 is a bottom plan view similar to FIG. 16 but showing another form of my new design, with the embodiment of FIG. 17 differing from the embodiment of FIGS. 15-16 only in that an array of holes is formed through a wall of a body portion of the hair curler;

FIG. 18 is a perspective view similar to FIG. 1 but showing another form of my new design, with the view showing principally top portions of the hair curler;

FIG. 19 is a perspective view showing principally bottom portions thereof;

[56] References Cited

U.S. PATENT DOCUMENTS

D. 143,330	12/1945	Lindsay	D28/37
D. 234,323	2/1975	Demi	D28/37
D. 234,324	2/1975	Demi	D28/37
D. 287,298	12/1986	Kibe et al.	D28/37
1,221,437	4/1917	Garrity	.	
1,850,377	3/1932	Brookes	.	
2,081,199	5/1937	Heath	132/33
2,139,751	12/1938	Hitzgrath	132/33
2,309,373	1/1943	Yven et al.	132/33
2,402,470	6/1946	Toro	132/33
2,426,343	8/1947	Del Zoppo	132/33
2,429,135	10/1947	Newman	132/33
2,537,728	1/1951	Wright	132/42
3,529,608	9/1970	Mates	132/40
3,858,588	1/1975	Walter et al.	132/33 R
3,870,057	3/1975	Pezzino	132/39
3,933,161	1/1976	Strickman et al.	132/40
4,605,021	8/1986	Hodson et al.	132/33 R

FOREIGN PATENT DOCUMENTS

6712038	3/1969	Netherlands	132/42 R
---------	--------	-------------	-------	----------

OTHER PUBLICATIONS

Hong Kong Enterprise, vol. 7, 1980, p. 208—curlers in top three rows.

Primary Examiner—Louis S. Zarfes
 Attorney, Agent, or Firm—David A. Burge

[57] CLAIM

The ornamental design for a hair curler, as shown and described.

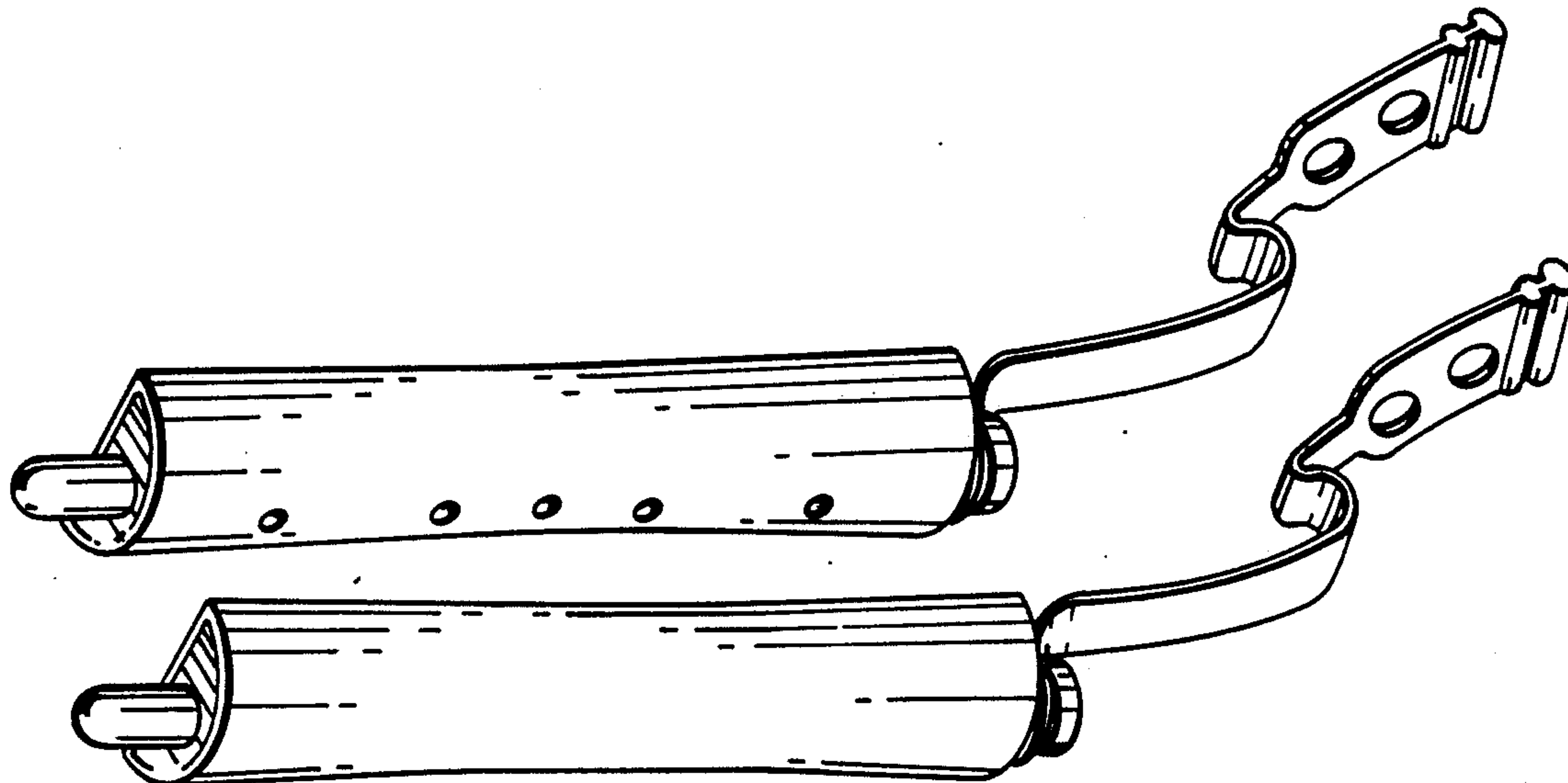


FIG. 20 is a right end elevational view thereof;
FIG. 21 is a left end elevational view thereof;
FIG. 22 is a front side elevational view thereof;
FIG. 23 is a top plan view thereof;
FIG. 24 is a bottom plan view thereof;
FIG. 25 is a perspective view similar to FIG. 18 but with the hair curler in closed position;
FIG. 26 is a right end elevational view thereof;
FIG. 27 is a left end elevational view thereof;
FIG. 28 is a front side elevational view thereof;
FIG. 29 is a top plan view thereof;
FIG. 30 is a perspective view similar to FIG. 18 but showing another form of my new design, with the embodiment of FIG. 30 differing from the embodiment of FIGS. 18-29 only in that an array of holes is formed through a body portion of the hair curler, and with the

view showing principally top portions of the hair curler;
FIG. 31 is a perspective view showing principally bottom portions thereof;
FIG. 32 is a perspective view similar to FIG. 18 but showing another form of my new design, with the embodiment of FIG. 32 differing from the embodiment of FIGS. 18-29 only in that a body portion of the hair curler is hollowed out to give the interior of the curler a trough-like appearance;
FIG. 33 is a bottom plan view thereof, it being understood that the hair curler of FIGS. 32-33 is identical in top plan and elevational views to the hair curler of FIGS. 18-29; and,
FIG. 34 is a bottom plan view similar to FIG. 33 but showing still another form of my new design, with the embodiment of FIG. 34 differing from the embodiment of FIGS. 32-33 only in that an array of holes is formed through a wall of a body portion of the hair curler.

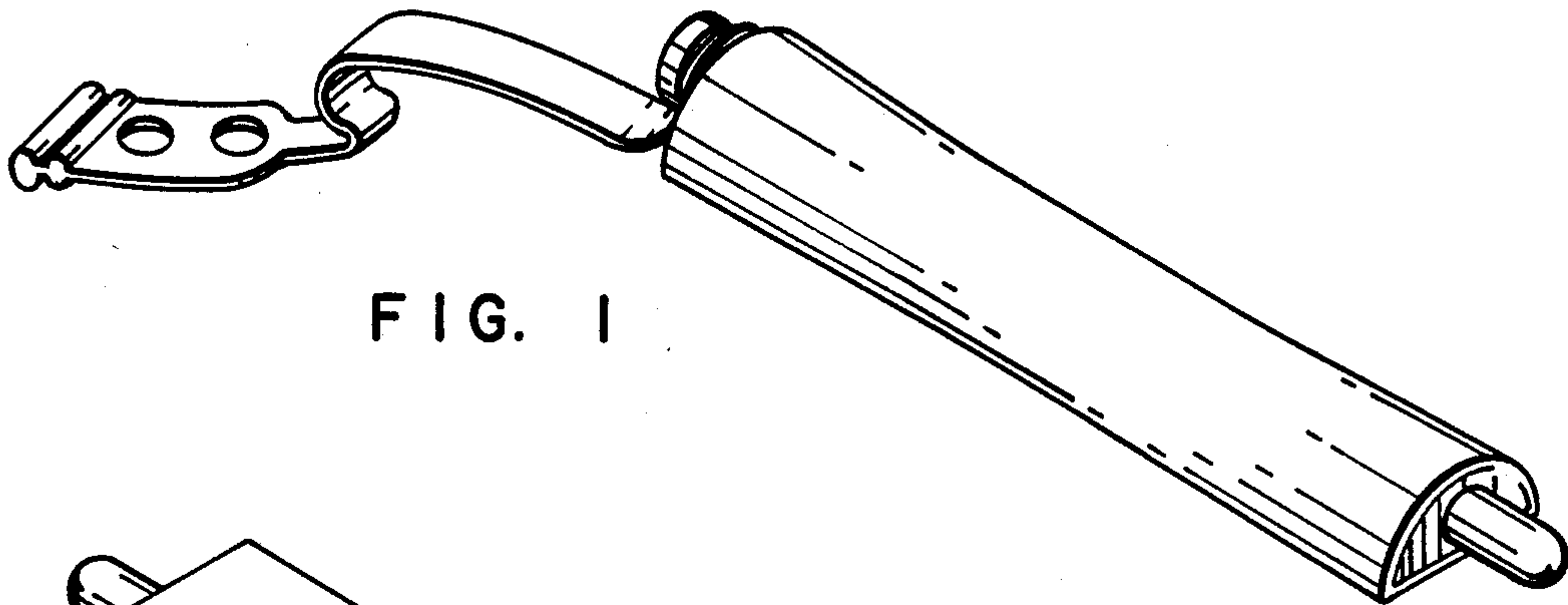


FIG. 1

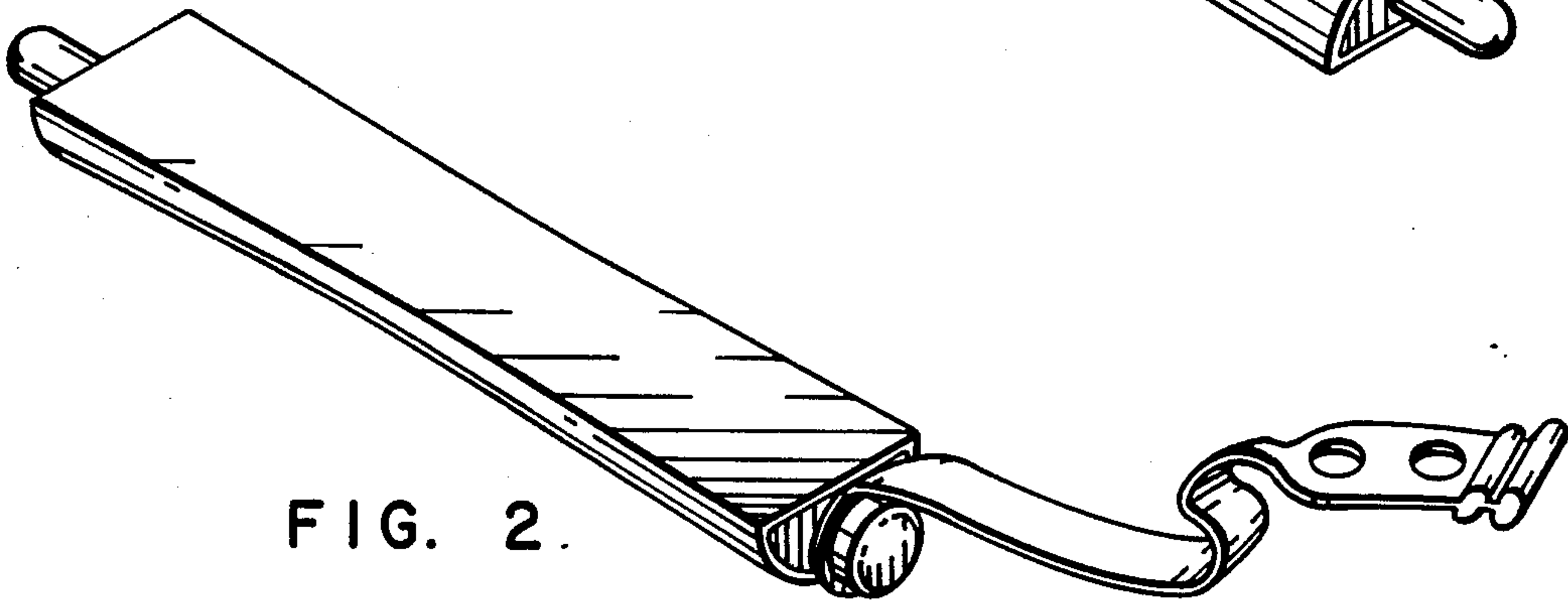


FIG. 2

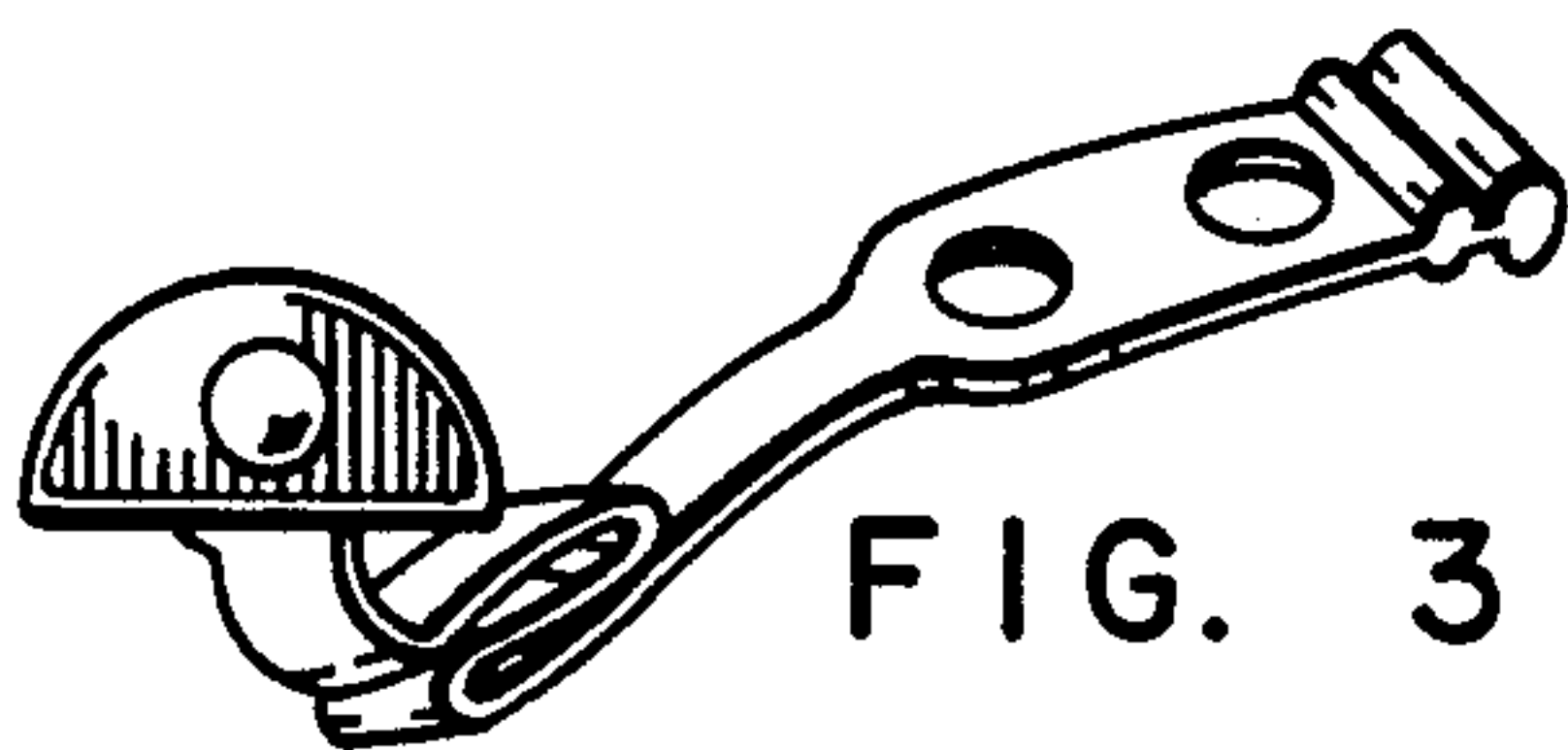


FIG. 3



FIG. 5

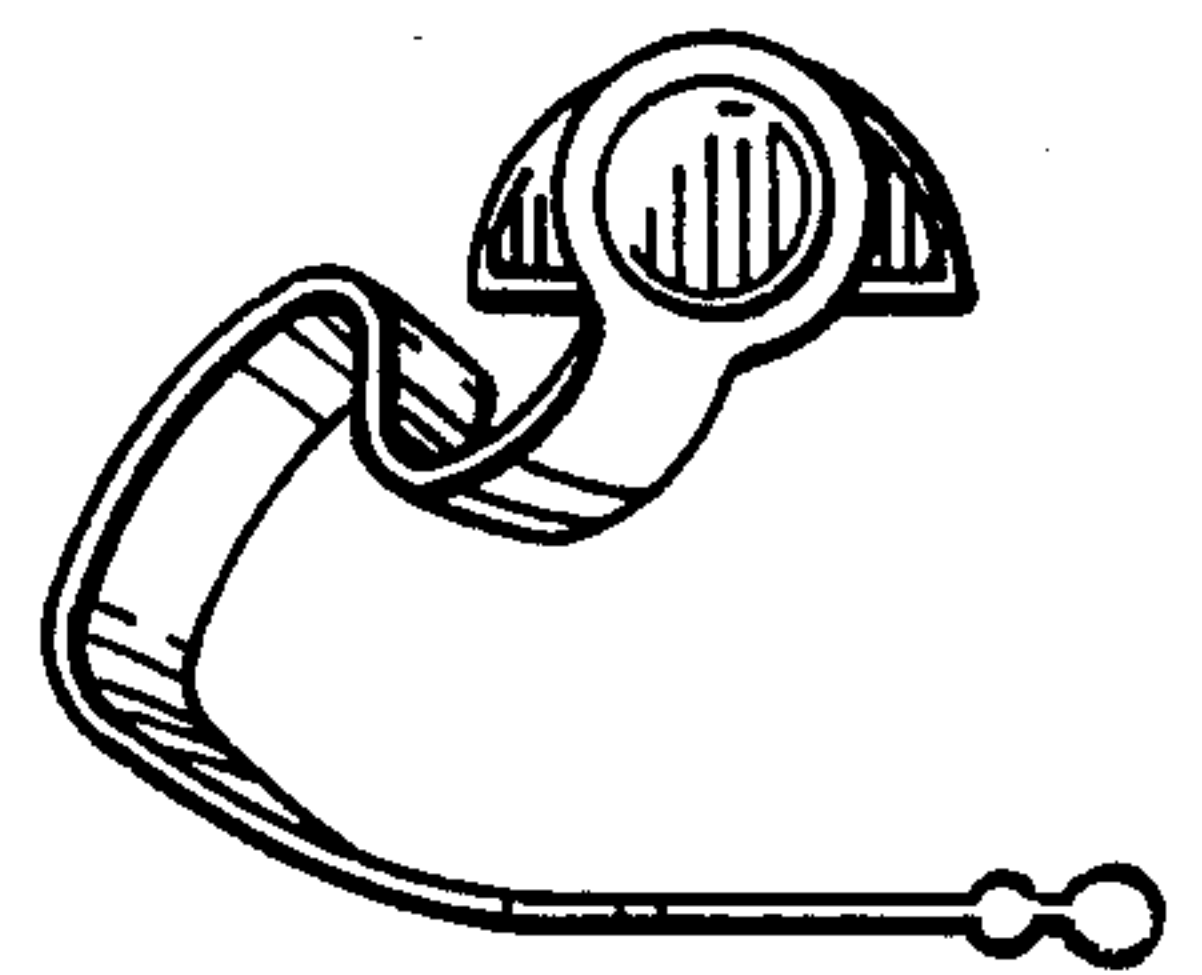


FIG. 4

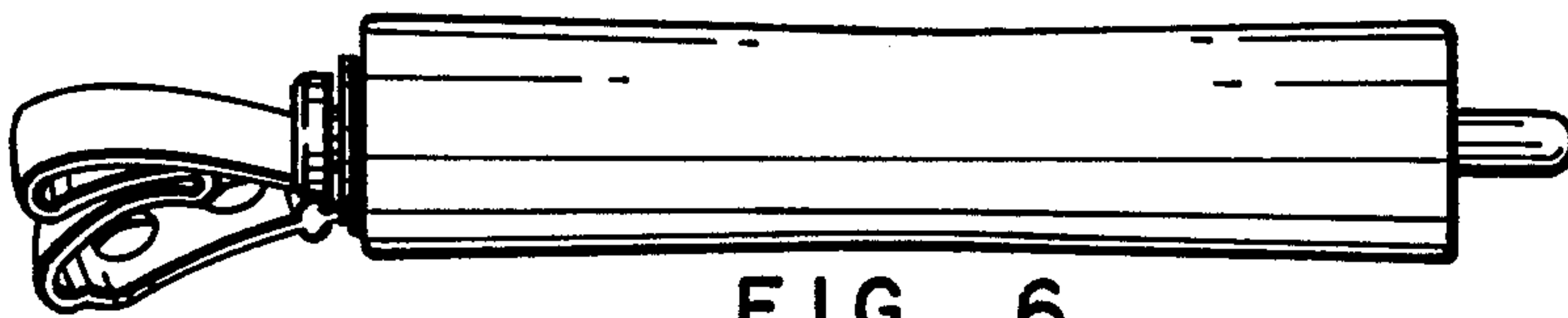


FIG. 6

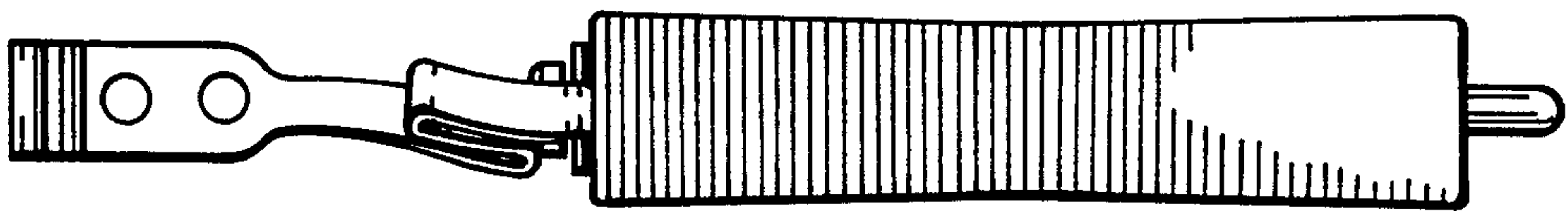


FIG. 7

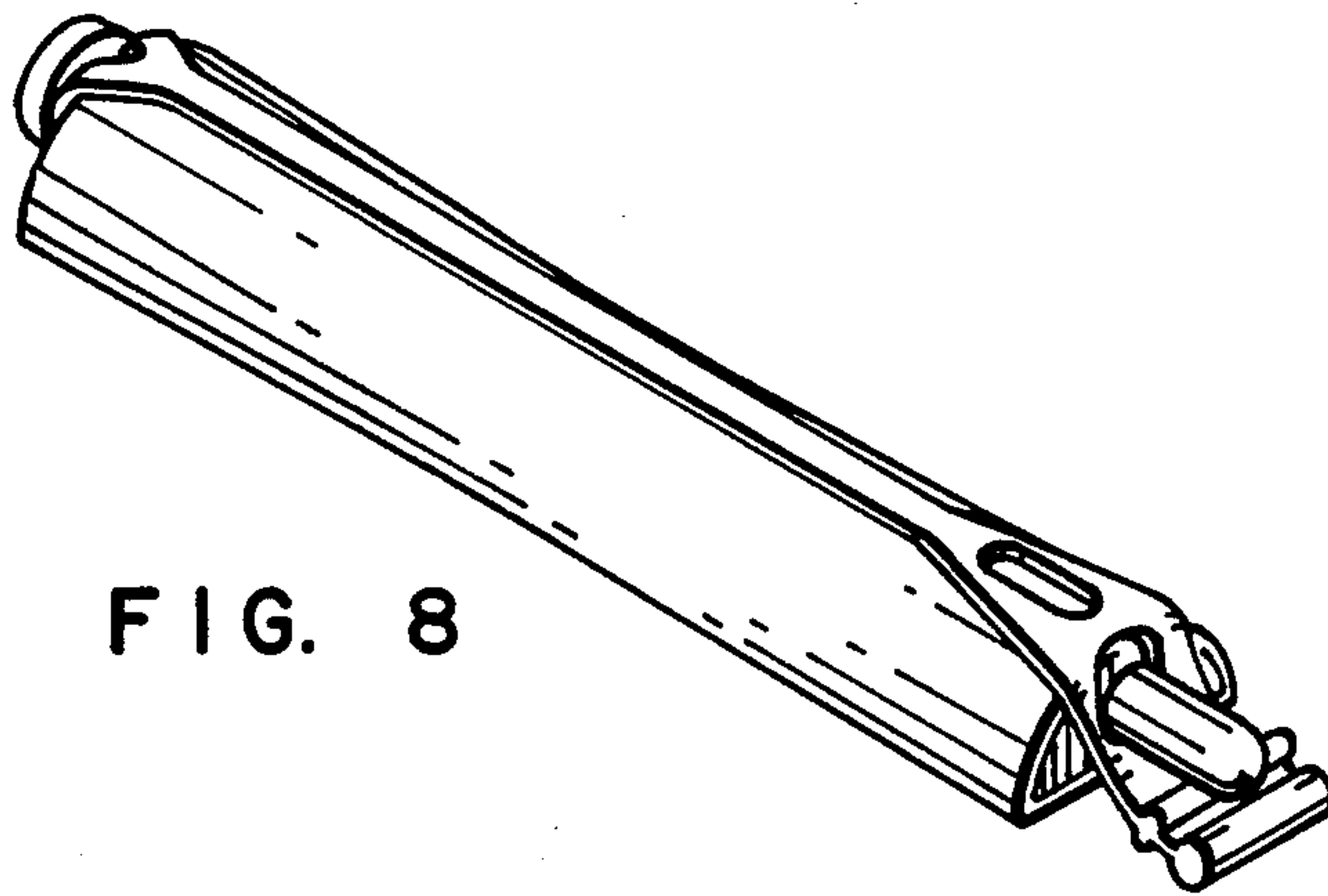


FIG. 8

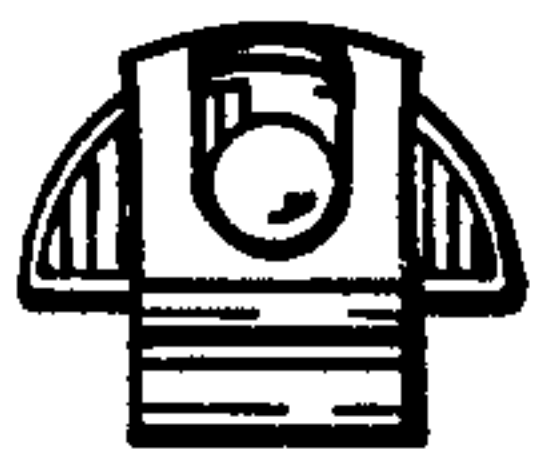


FIG. 9



FIG. 10

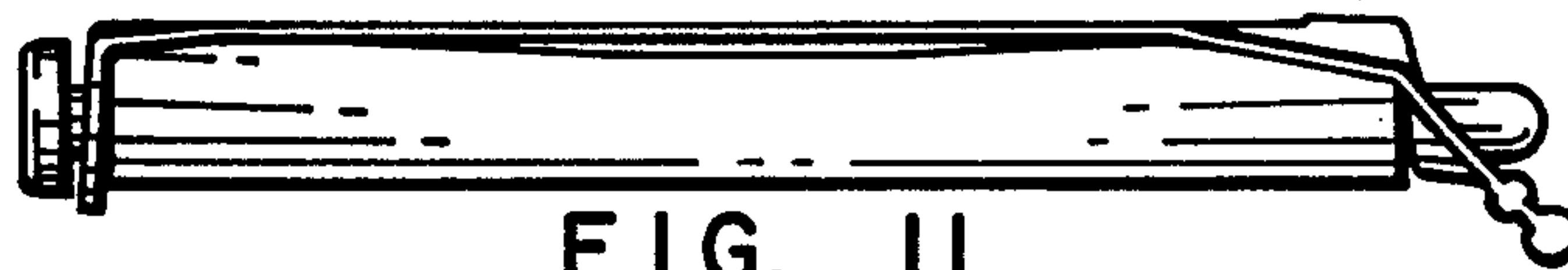


FIG. 11

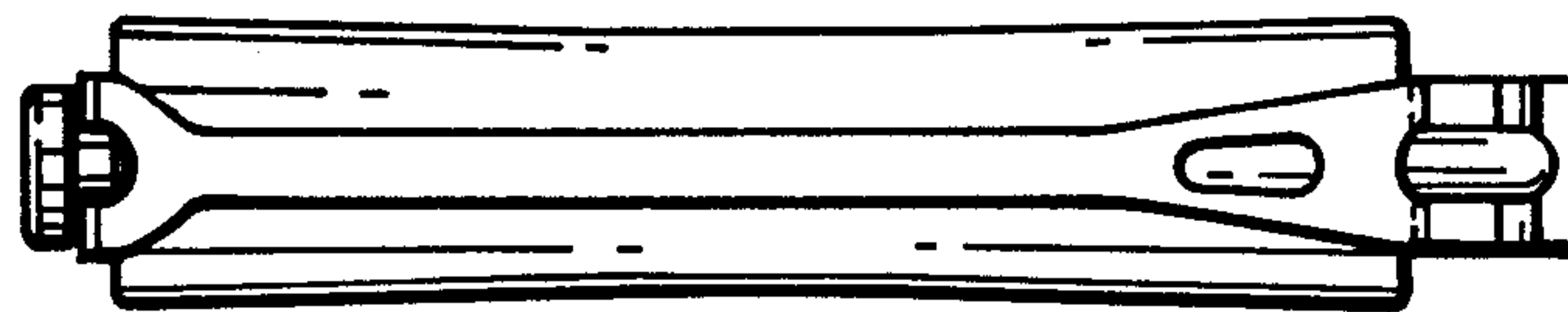


FIG. 12

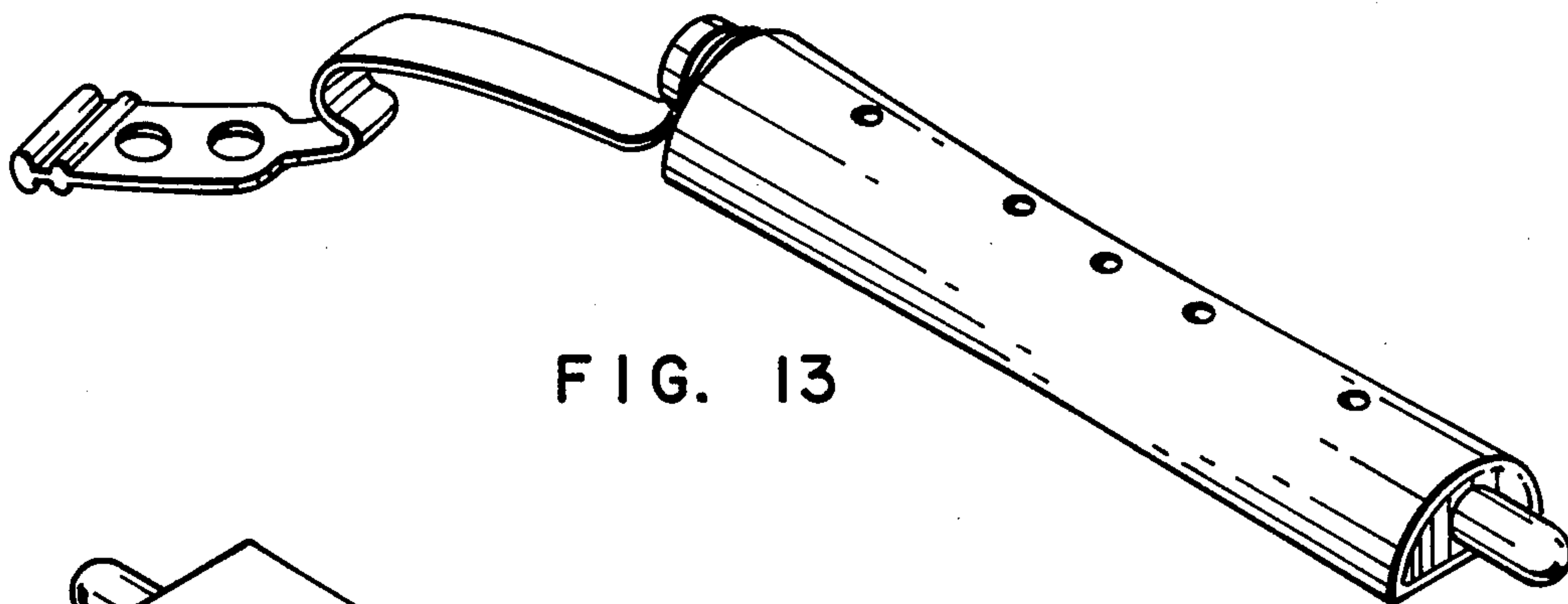


FIG. 13

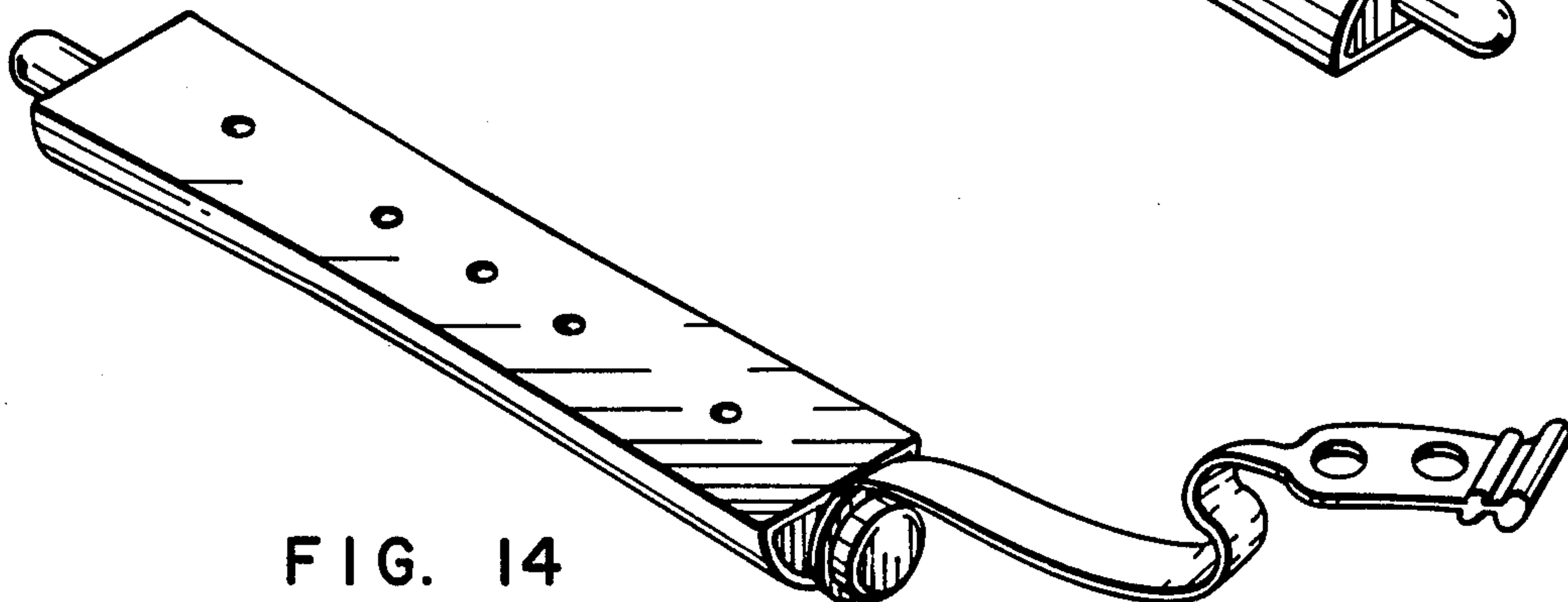


FIG. 14

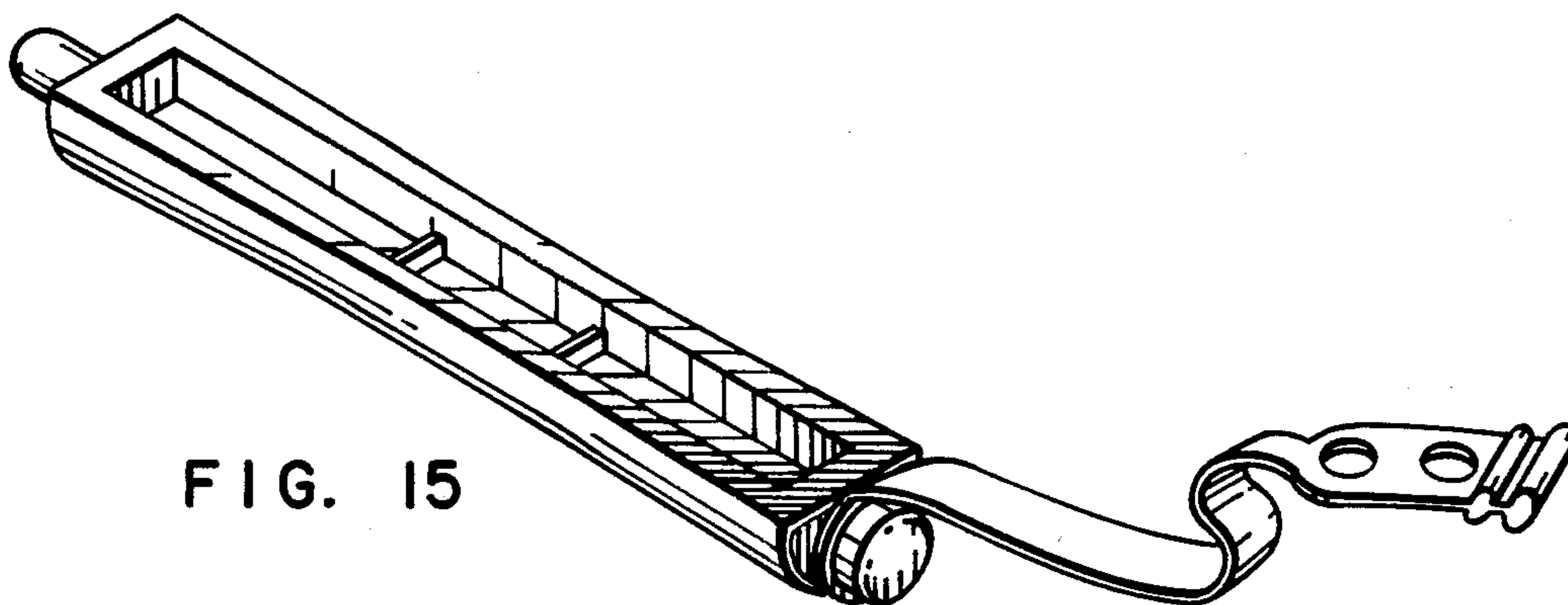


FIG. 15

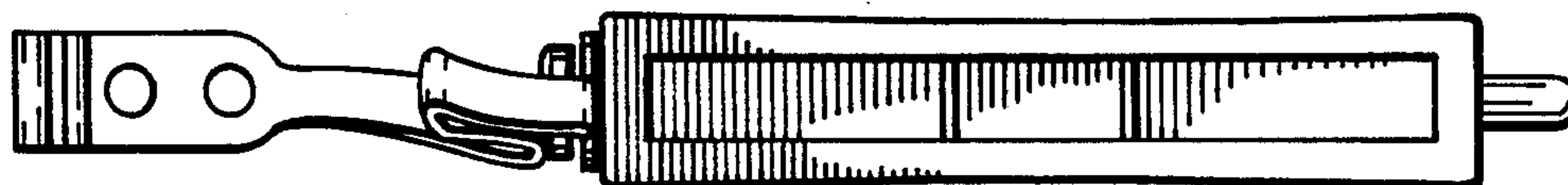


FIG. 16

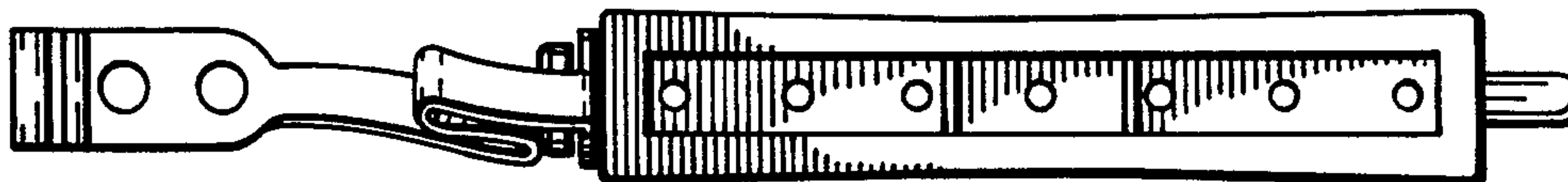


FIG. 17

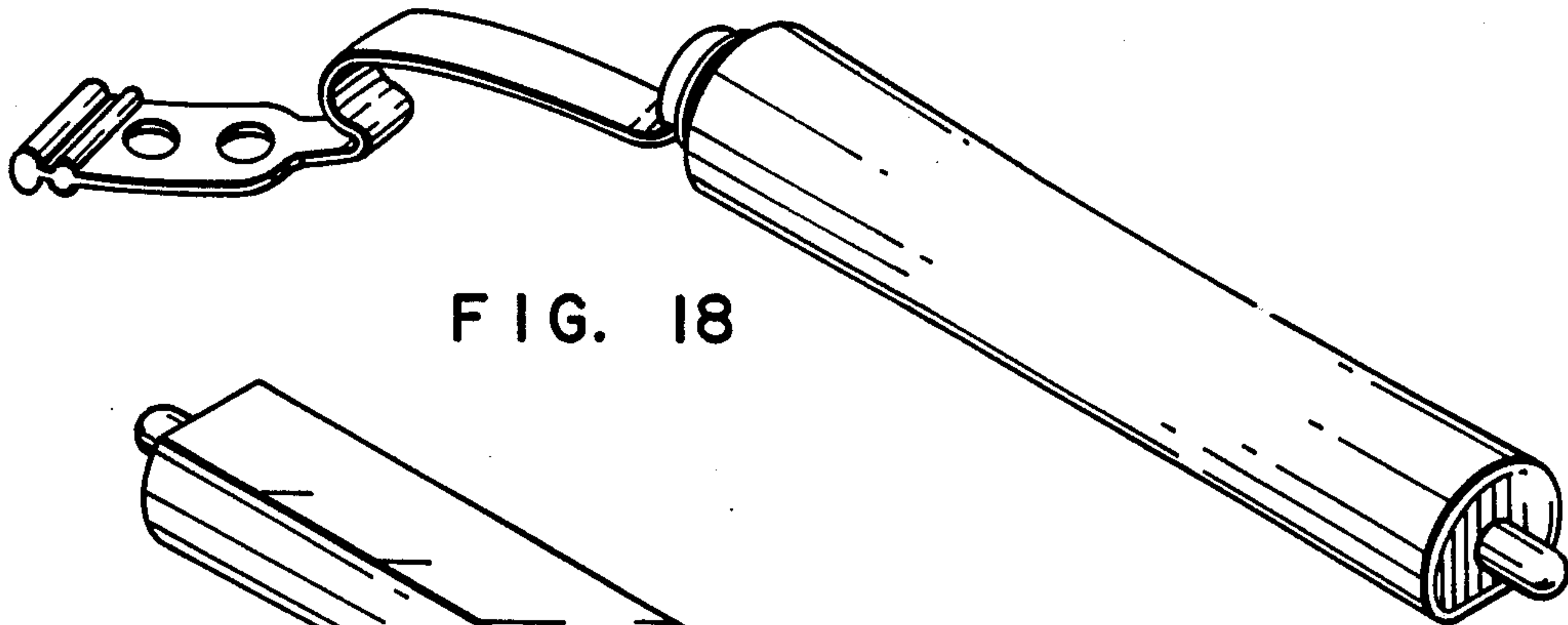


FIG. 18

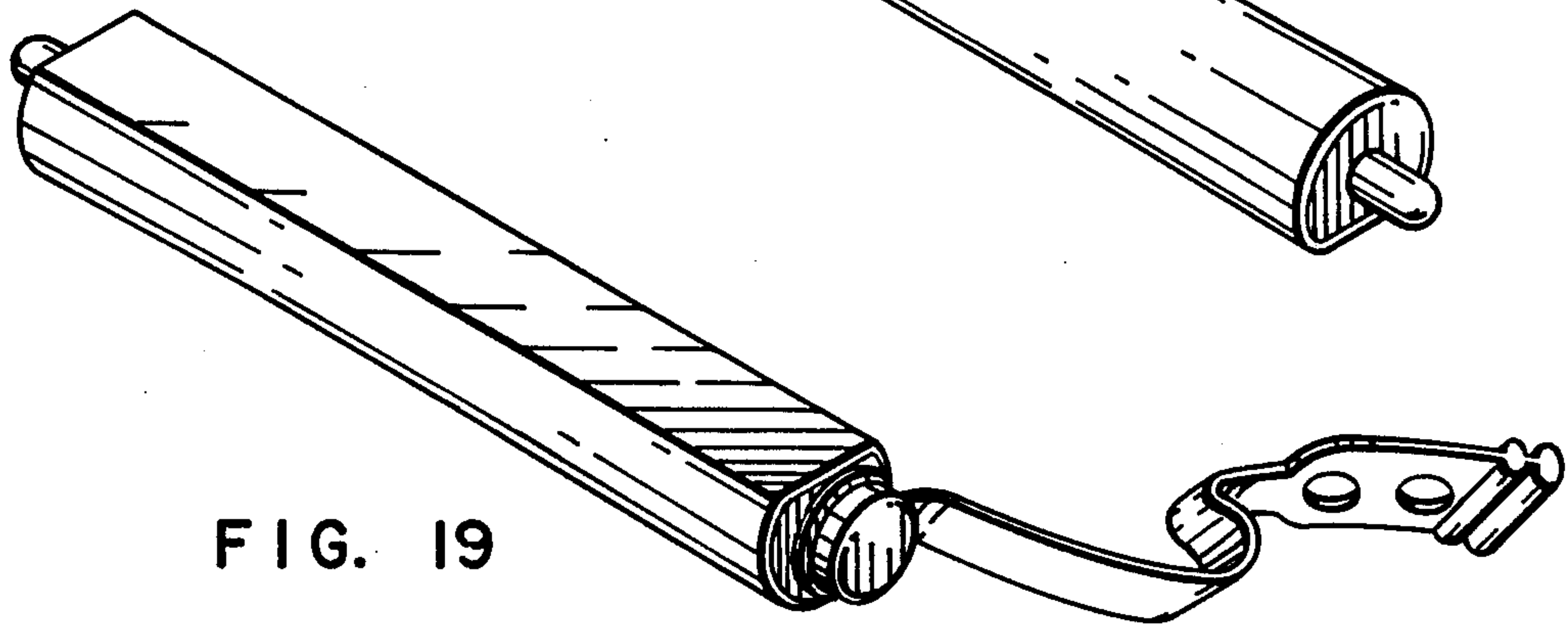


FIG. 19

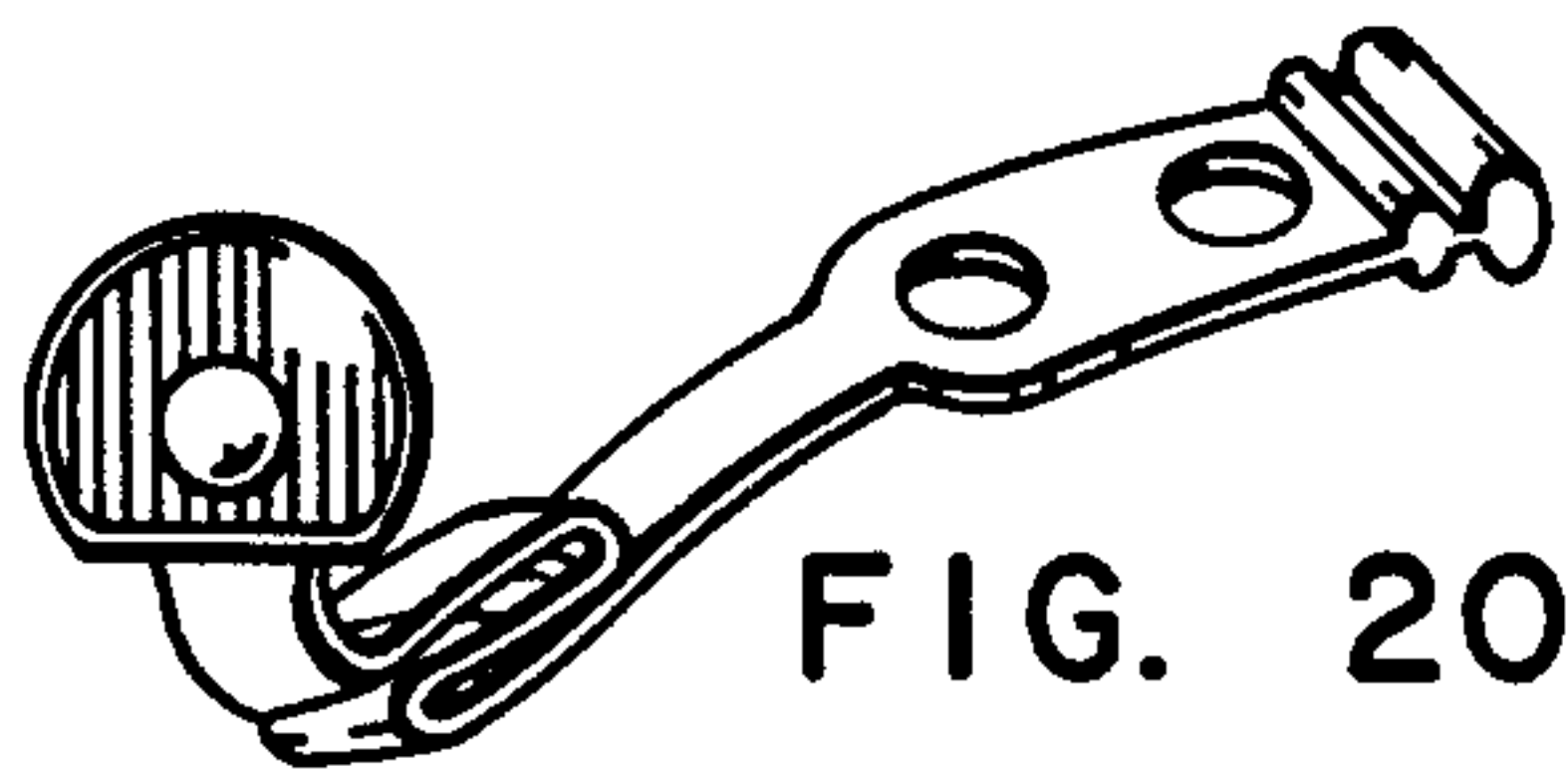


FIG. 20

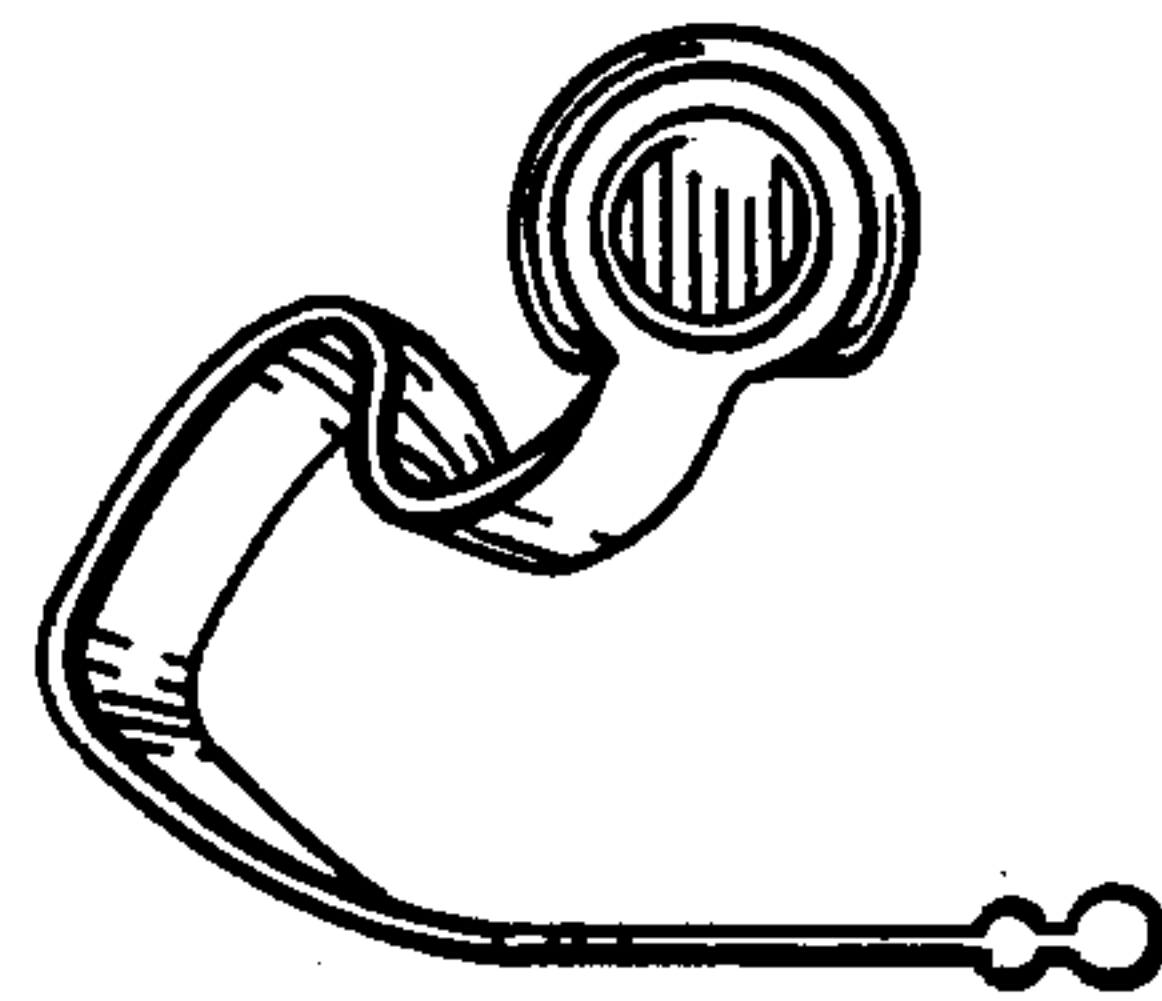


FIG. 21



FIG. 22



FIG. 23



FIG. 24

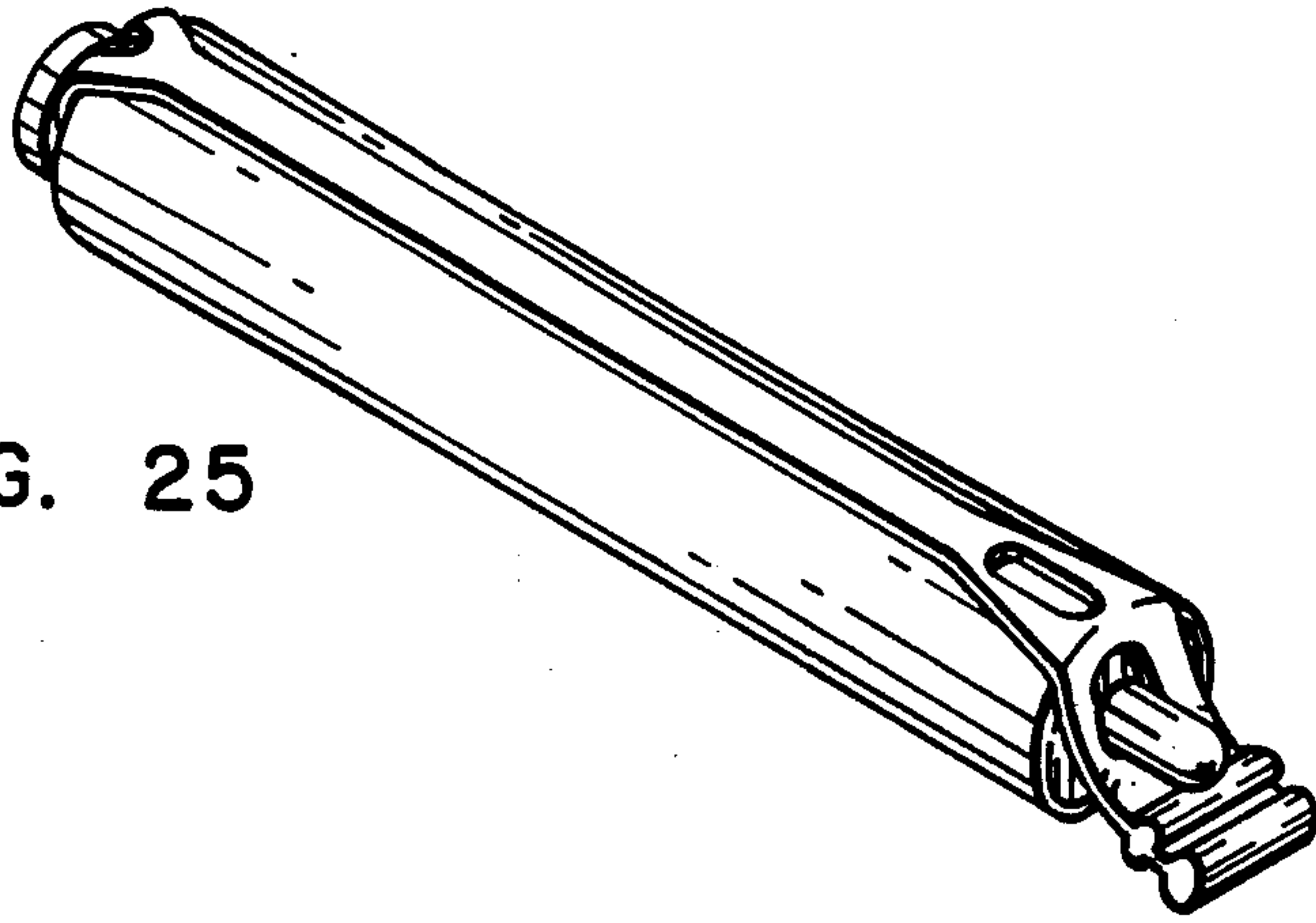


FIG. 25

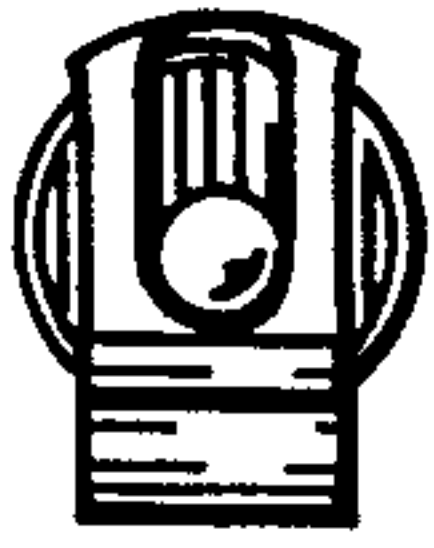


FIG. 26



FIG. 27

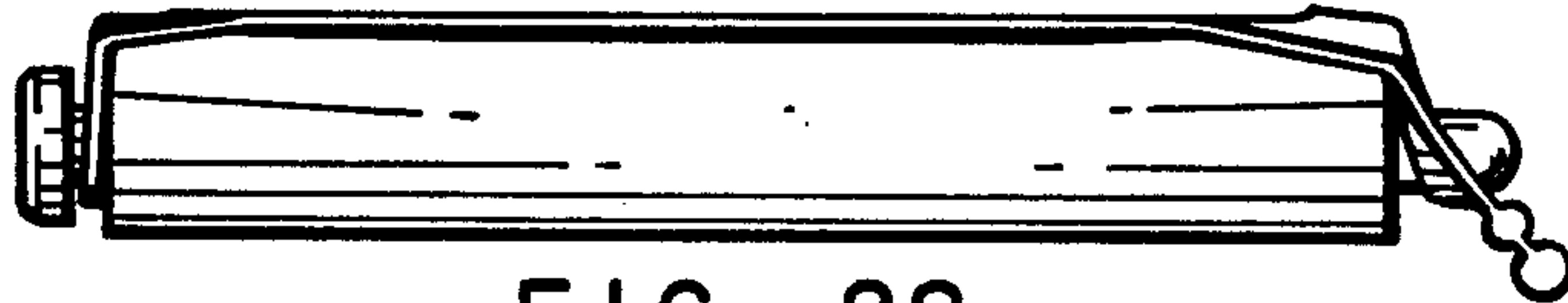


FIG. 28

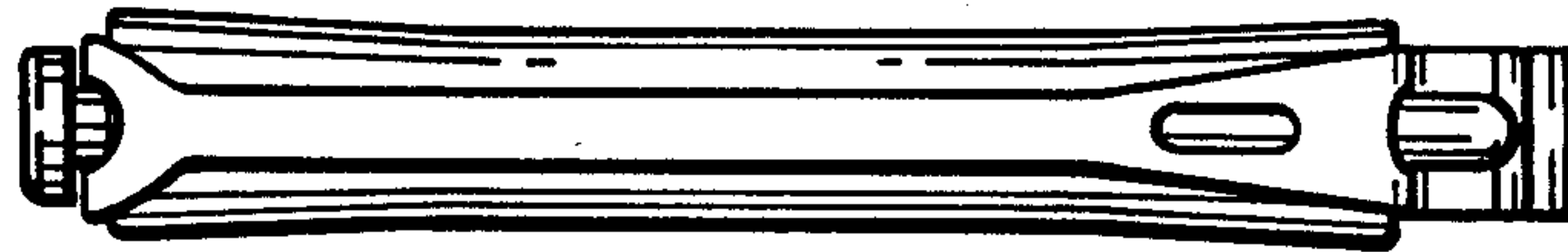


FIG. 29

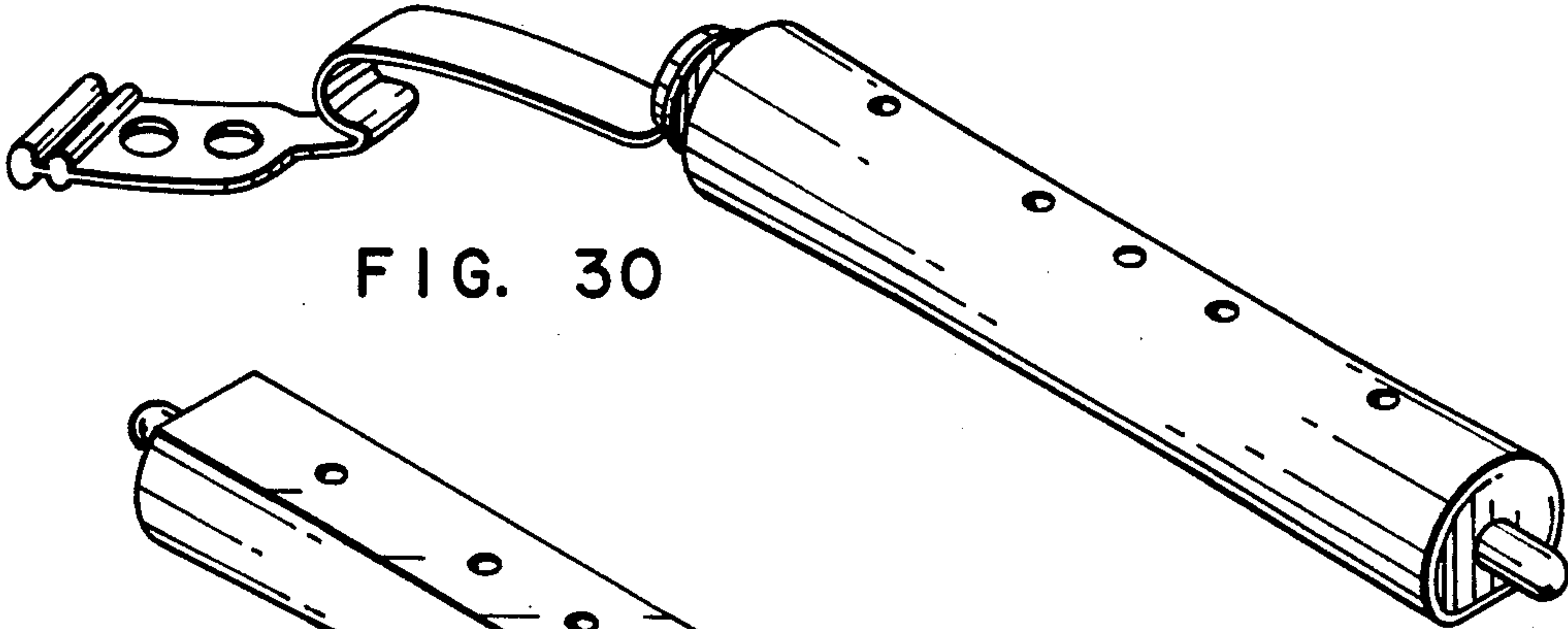


FIG. 30

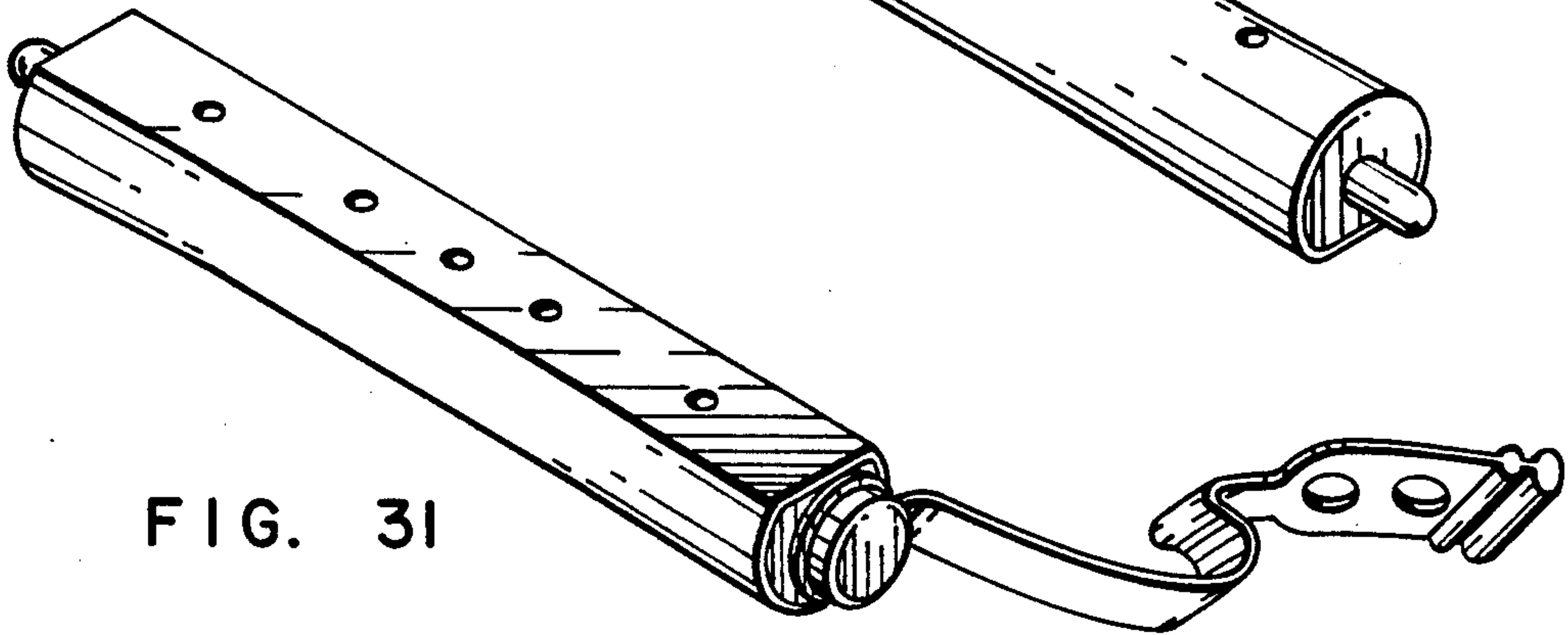


FIG. 31

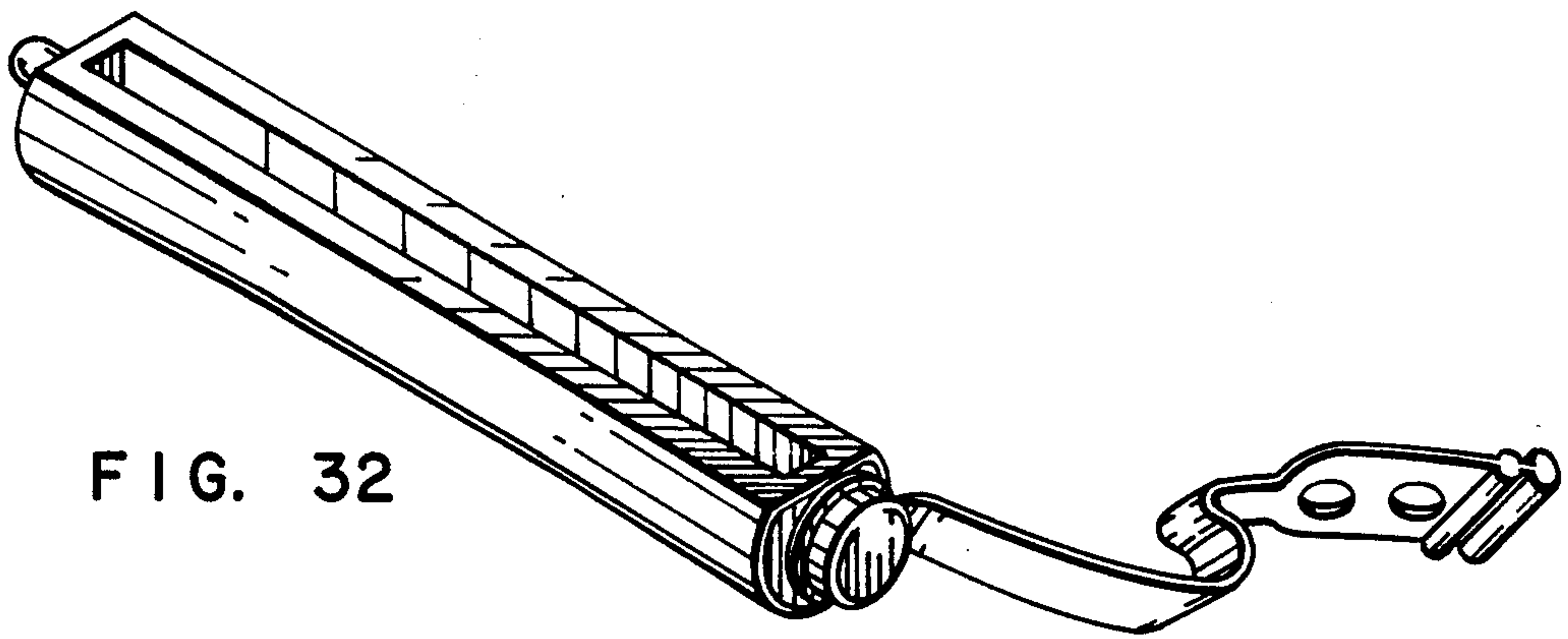


FIG. 32

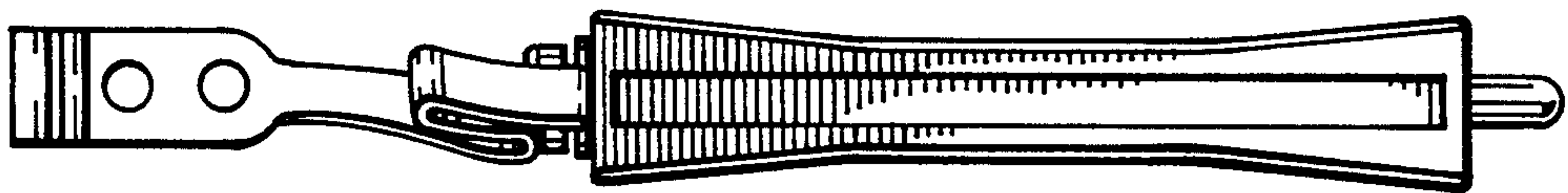


FIG. 33

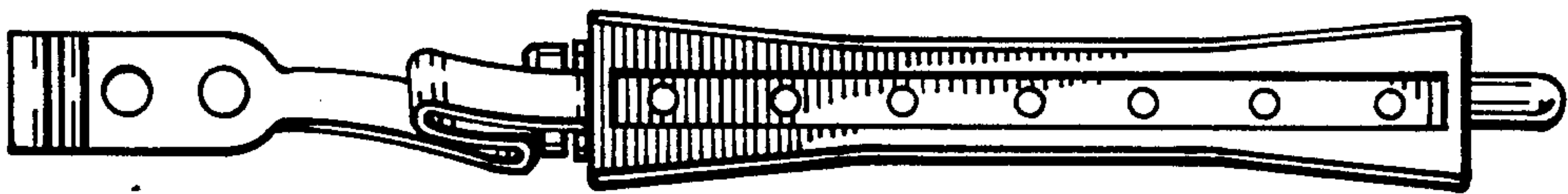


FIG. 34