

[54] **QUARTZ CLOCK MOVEMENT**
[75] **Inventor: Richard F. Leavitt, Andover, Mass.**
[73] **Assignee: Chelsea Clock Company, Incorporated, Chelsea, Mass.**
[**] **Term: 14 Years**
[21] **Appl. No.: 862,563**
[22] **Filed: May 12, 1986**
[52] **U.S. Cl. D10/129**
[58] **Field of Search D10/128, 129; 368/220, 368/318**

1,846,950 2/1932 Cosentino 368/220

FOREIGN PATENT DOCUMENTS

41102 10/1914 Sweden 368/220

Primary Examiner—Nelson C. Holtje

[57] **CLAIM**

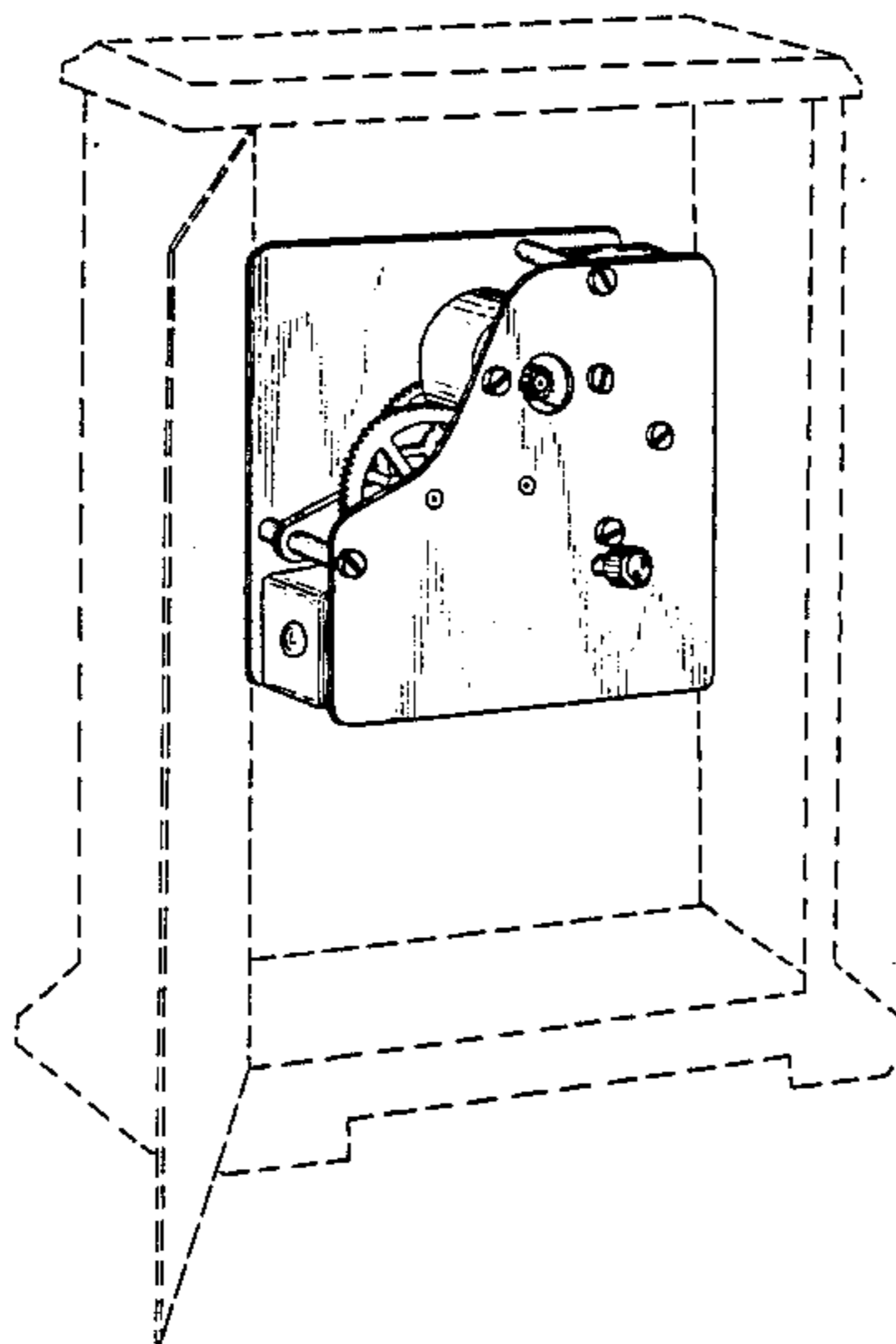
The ornamental design for quartz clock movement, as shown.

DESCRIPTION

FIG. 1 is a left, front perspective view of a quartz clock movement showing my new design, the broken line clock case being environmental only and forming no part of the claimed design;
FIG. 2 is a front elevational view thereof;
FIG. 3 is a rear elevational view thereof;
FIG. 4 is as top plan view thereof;
FIG. 5 is a bottom plan view thereof;
FIG. 6 is a side elevational view thereof; and
FIG. 7 is a right side elevational view thereof.

[56] **References Cited**
U.S. PATENT DOCUMENTS

D. 208,927	10/1967	Thomas	D10/129	X
494,919	4/1893	Felt	368/318	X
1,502,235	7/1924	De Vries	368/220	
1,584,750	5/1926	Vincent	368/220	
1,755,560	4/1930	Porter	368/220	X



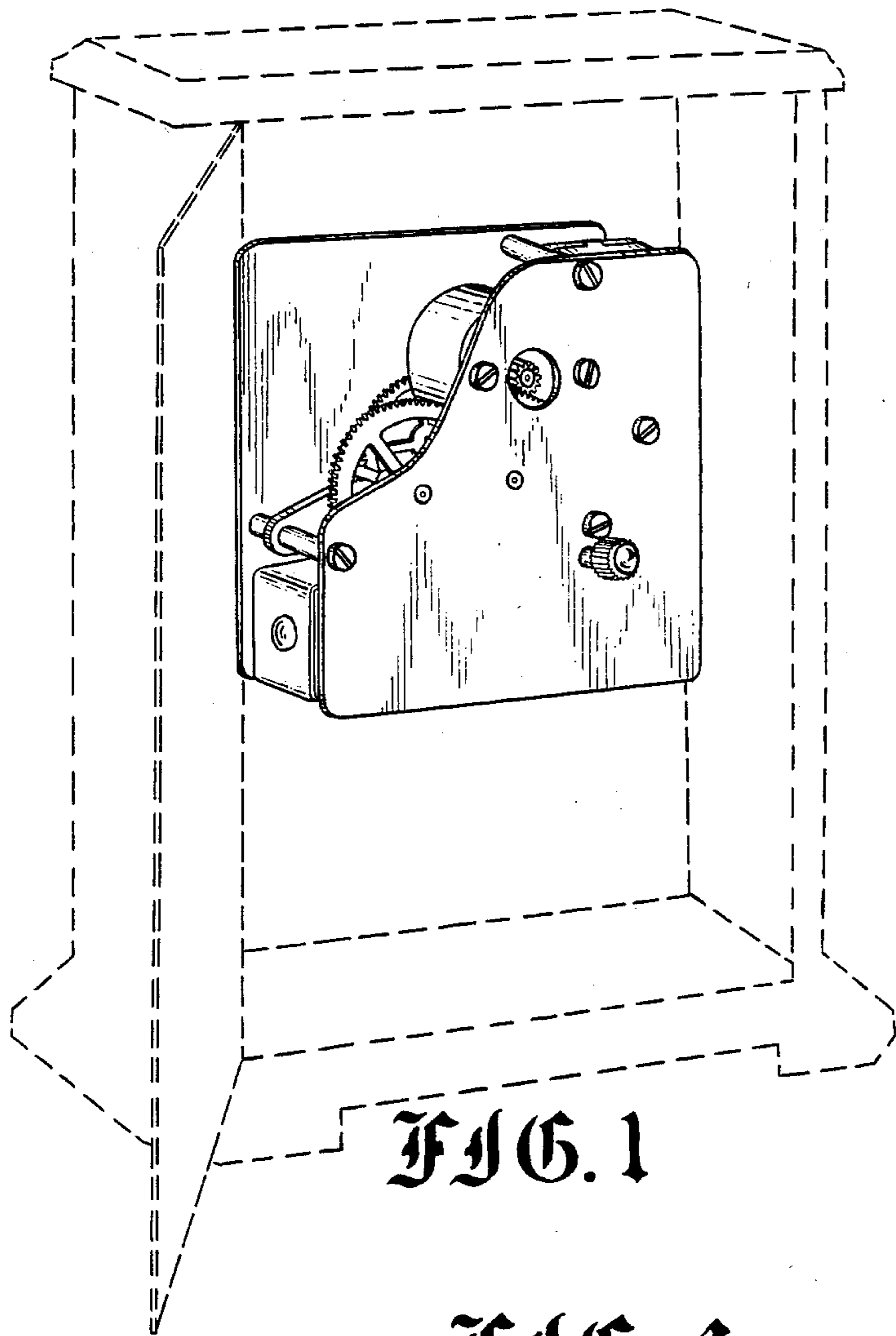


FIG. 2

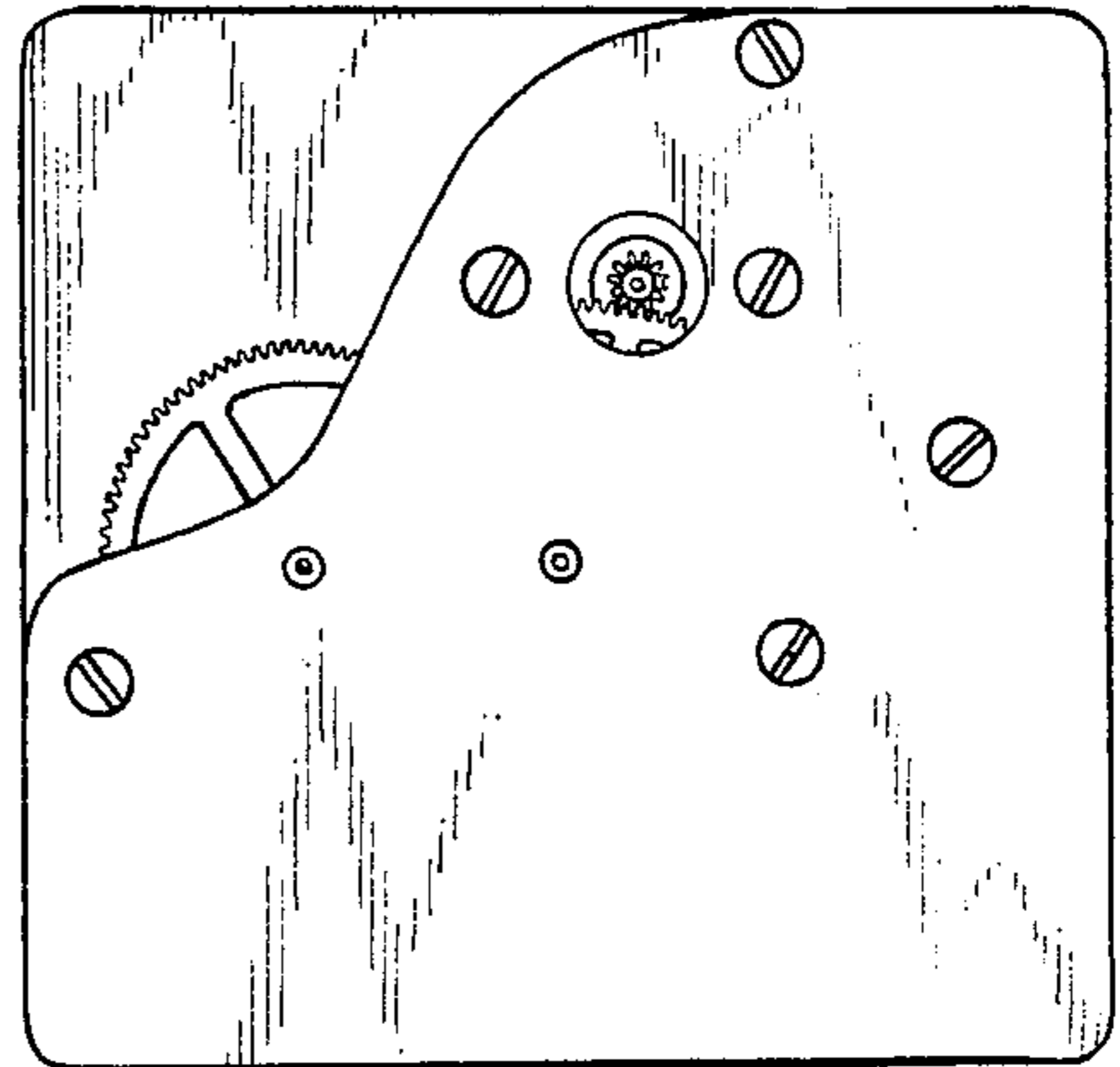


FIG. 3

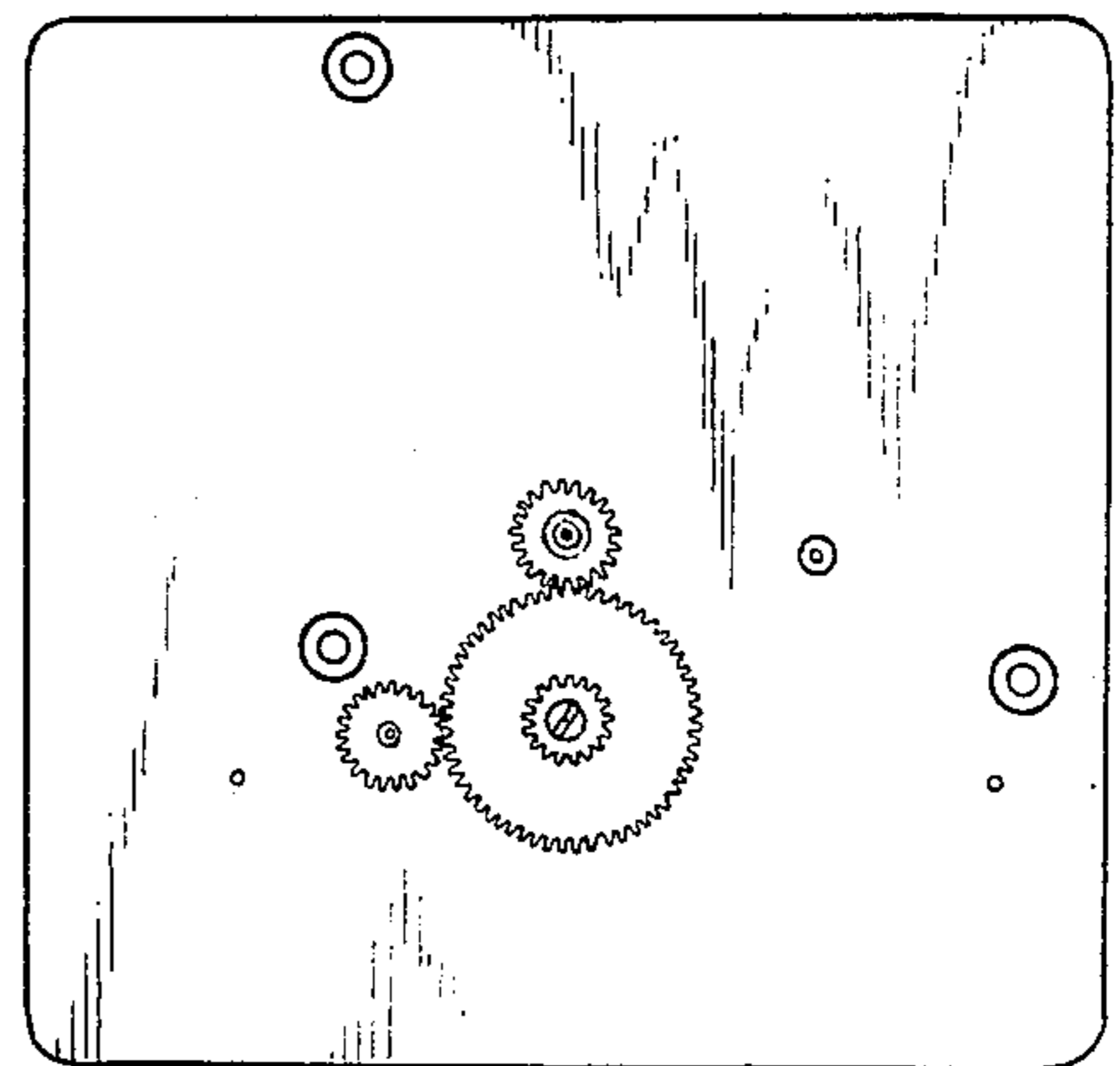


FIG. 4

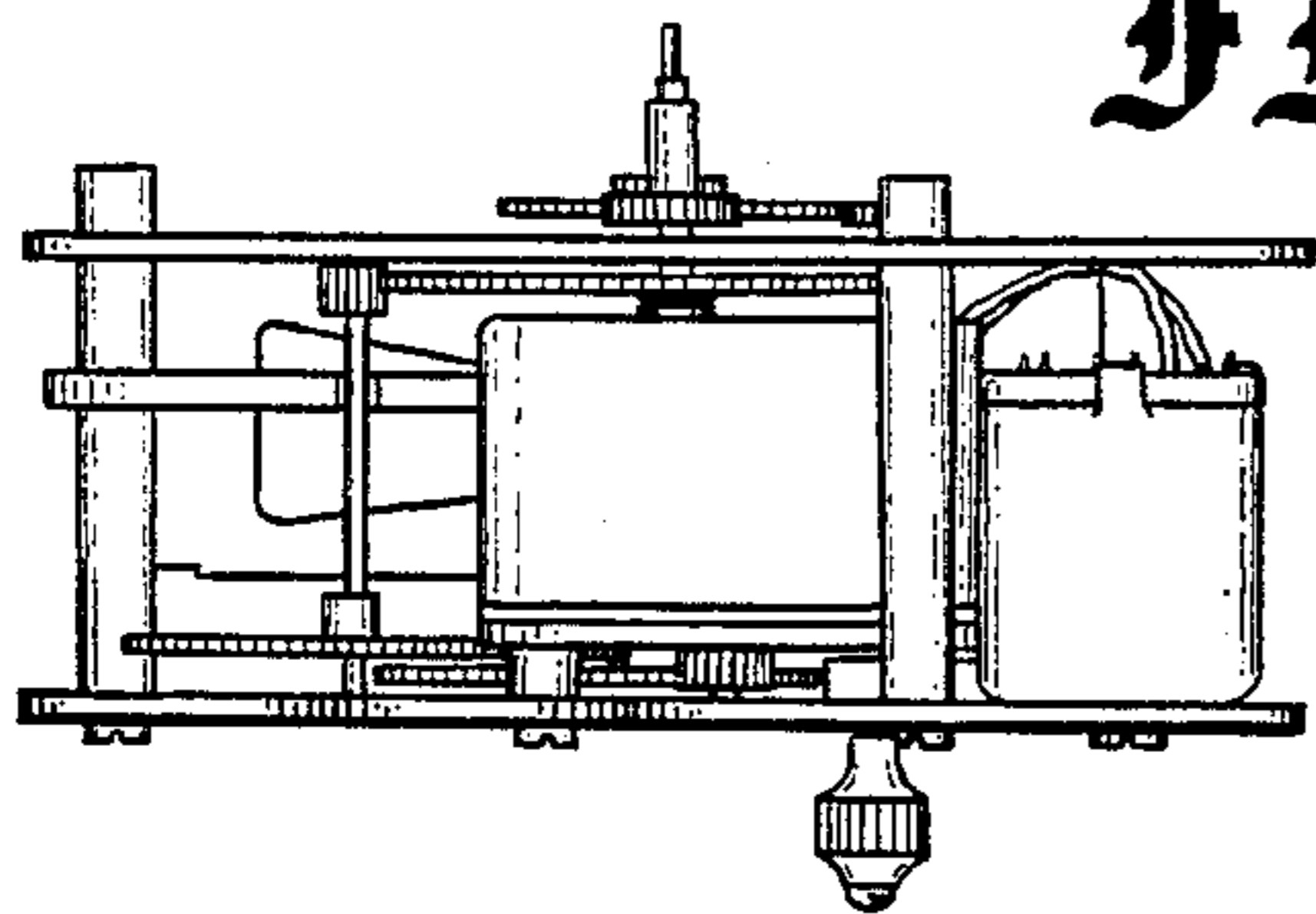


FIG. 6

FIG. 7

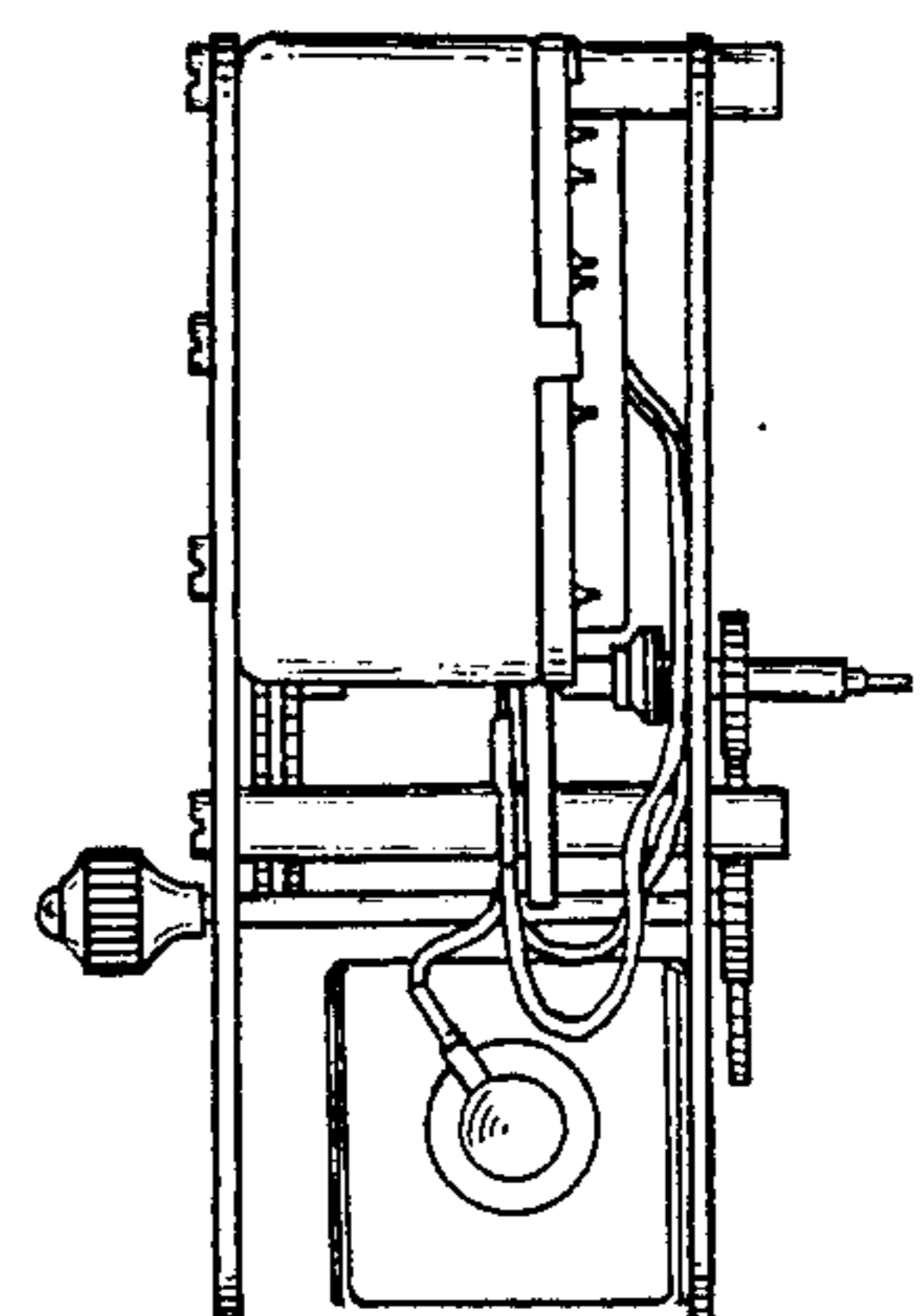
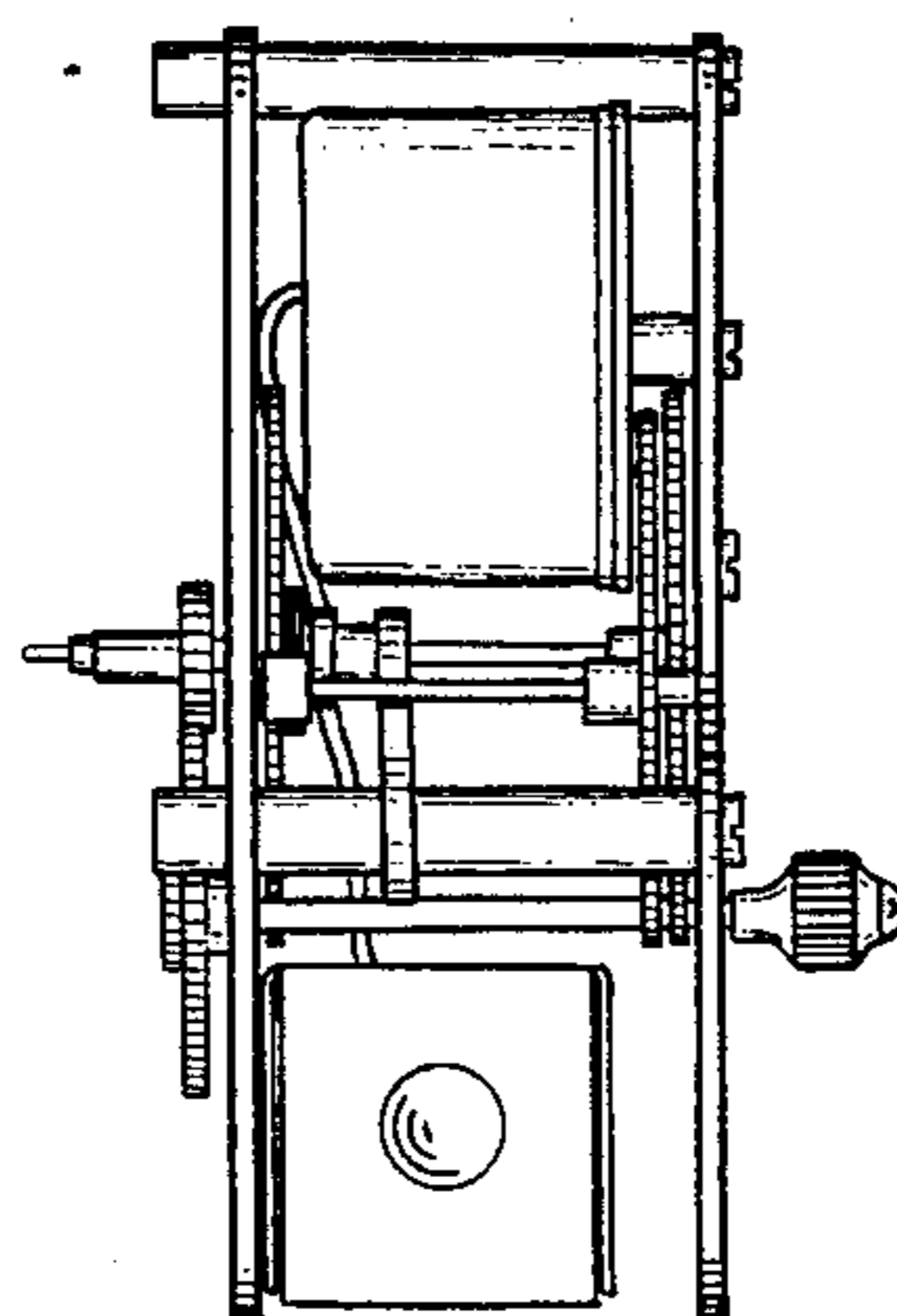


FIG. 5

