

[54] END CLOSURE FOR CONTAINER WITH INTEGRAL OPENER

[75] Inventor: William T. Saunders, Weirton, W. Va.

[73] Assignee: Weirton Steel Corporation, Weirton, W. Va.

[**] Term: 14 Years

[21] Appl. No.: 838,035

[22] Filed: Feb. 27, 1986

[52] U.S. Cl. D9/438

[58] Field of Search D9/434, 435, 438, 368; 220/269-274, 54, 58, 90.6, 231; 215/305, 200

[56] References Cited

U.S. PATENT DOCUMENTS

D. 246,157 10/1977 Kocour et al. D9/438

3,743,129	7/1973	Willis et al.	215/305
3,795,342	3/1974	Ashton	D9/438
3,874,553	4/1975	Schultz et al.	220/273
4,445,621	5/1984	Saunders	220/273
4,576,305	3/1986	Saunders	220/269

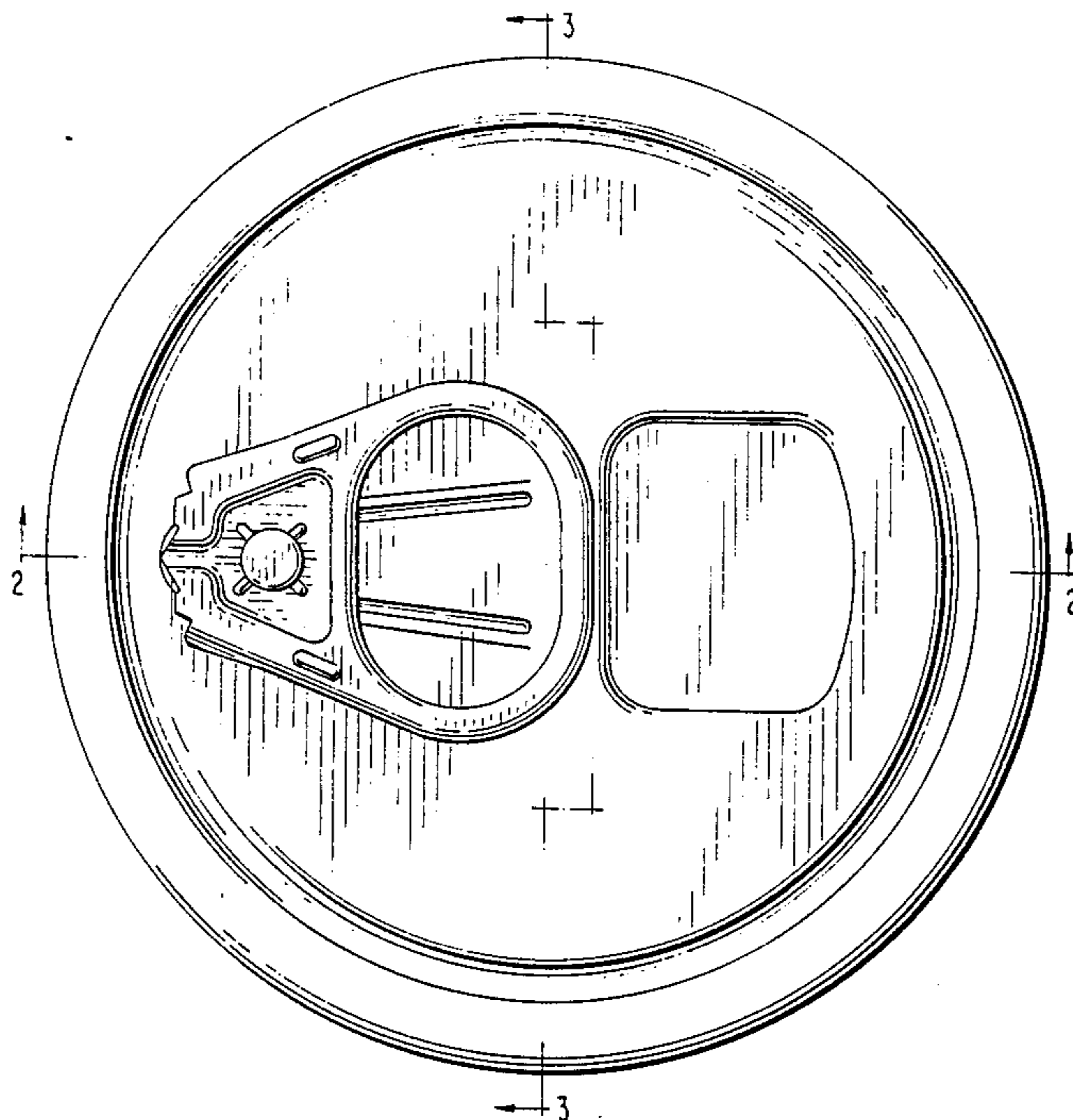
Primary Examiner—B. J. Bullock
Assistant Examiner—Prabhakar Deshmukh
Attorney, Agent, or Firm—Raymond N. Baker

[57] CLAIM

The ornamental design for an end closure for container with integral opener, as shown and described.

DESCRIPTION

FIG. 1 is a top plan view of an end closure for container with integral opener showing my new design; FIG. 2 is a sectional view taken along the line 2—2 of FIG. 1; and FIG. 3 is a sectional view taken along the line 3—3 of FIG. 1.



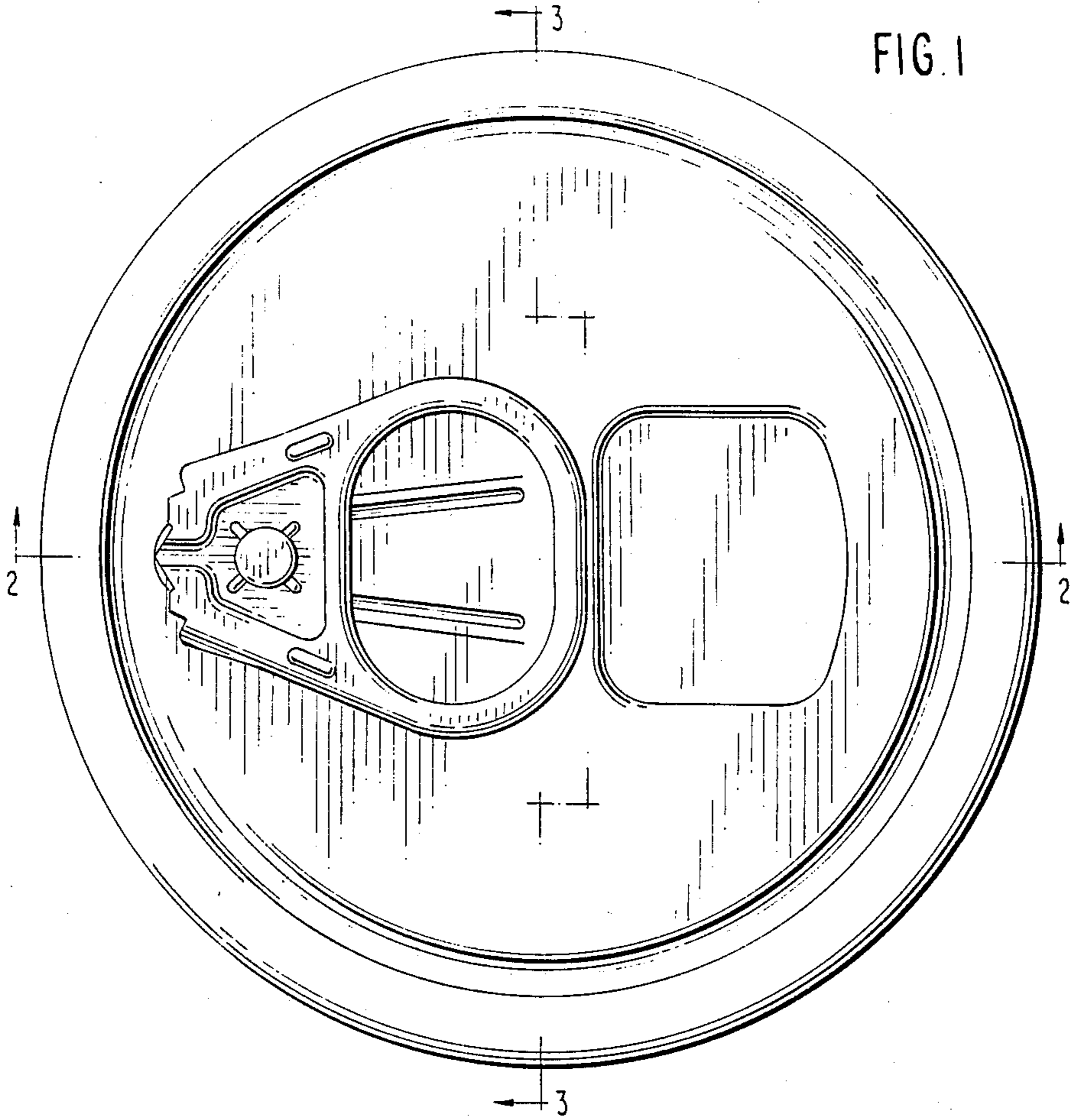


FIG. 2

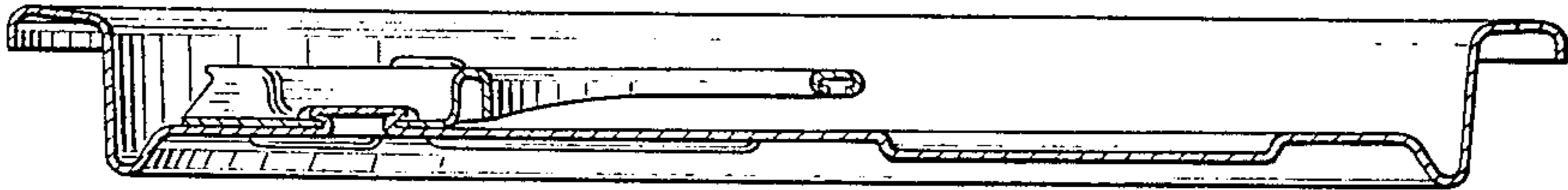


FIG. 3

