

United States Patent [19]

Wright

[11] Patent Number: **Des. 302,121**

[45] Date of Patent: **** Jul. 11, 1989**

[54] **DIAPER BOX**

[76] Inventor: **Hank Wright, 2616 Beaverwood Cir., Haughton, La. 71037**

[**] Term: **14 Years**

[21] Appl. No.: **862,437**

[22] Filed: **May 8, 1986**

[52] U.S. Cl. **D9/418**

[58] Field of Search **D9/418, 414, 416, 432; 206/216, 45.31, 45.19, 557, 491, 45.33, 44 R; 229/16 D; D24/50**

[56] **References Cited**

U.S. PATENT DOCUMENTS

D. 91,830 1/1934 Levkoff D9/418
D. 94,588 2/1935 Williams D9/418
2,155,996 4/1939 Saint 206/45.31

2,672,274 3/1954 Crane 206/45.31
2,949,221 8/1960 Lugt, Jr. 206/45.31
3,738,251 6/1973 Haaser 206/557
4,129,210 12/1978 Brown et al. 206/45.31
4,522,302 6/1985 Paikoff 206/216

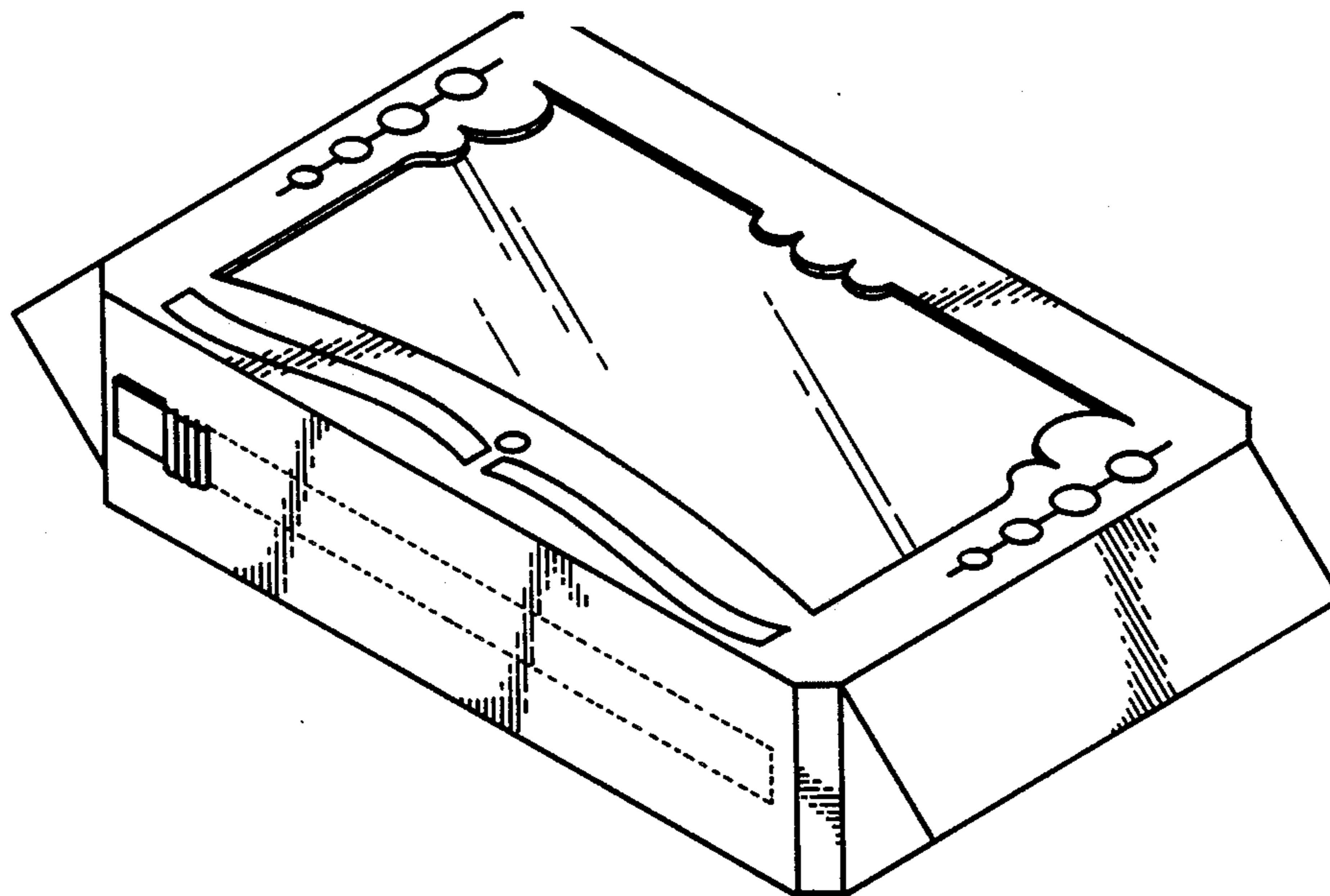
Primary Examiner—Bernard Ansher
Assistant Examiner—Prabhakar Deshmukh
Attorney, Agent, or Firm—Terry M. Gernstein

[57] **CLAIM**

The ornamental design for a diaper box, as shown and described.

DESCRIPTION

FIG. 1 is a perspective view of a diaper box showing my new design;
FIG. 2 is a rear elevation thereof;
FIG. 3 is a left side elevation thereof; the right side elevation is similar to the left side elevation shown; and
FIG. 4 is a bottom plan view thereof.



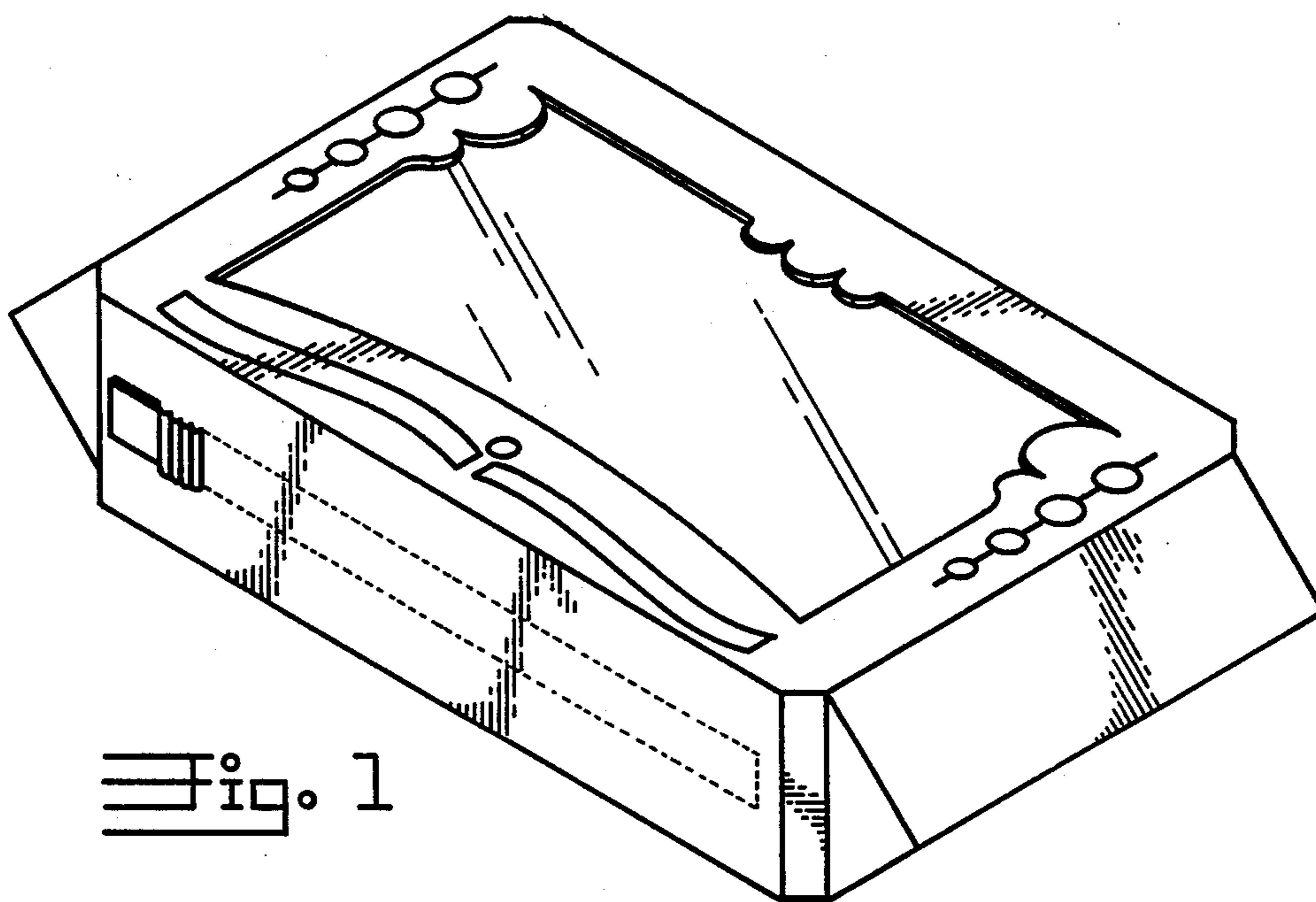


Fig. 1

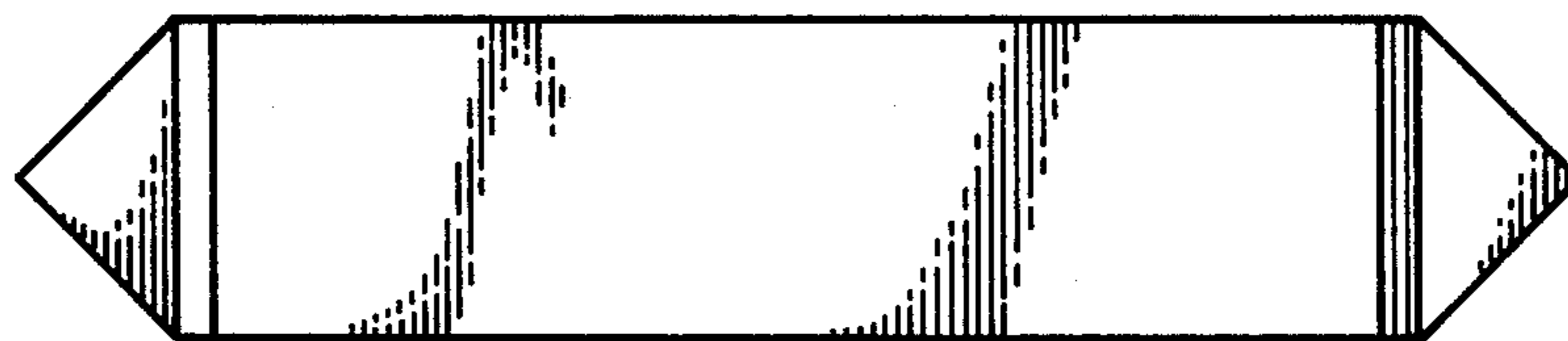


Fig. 2

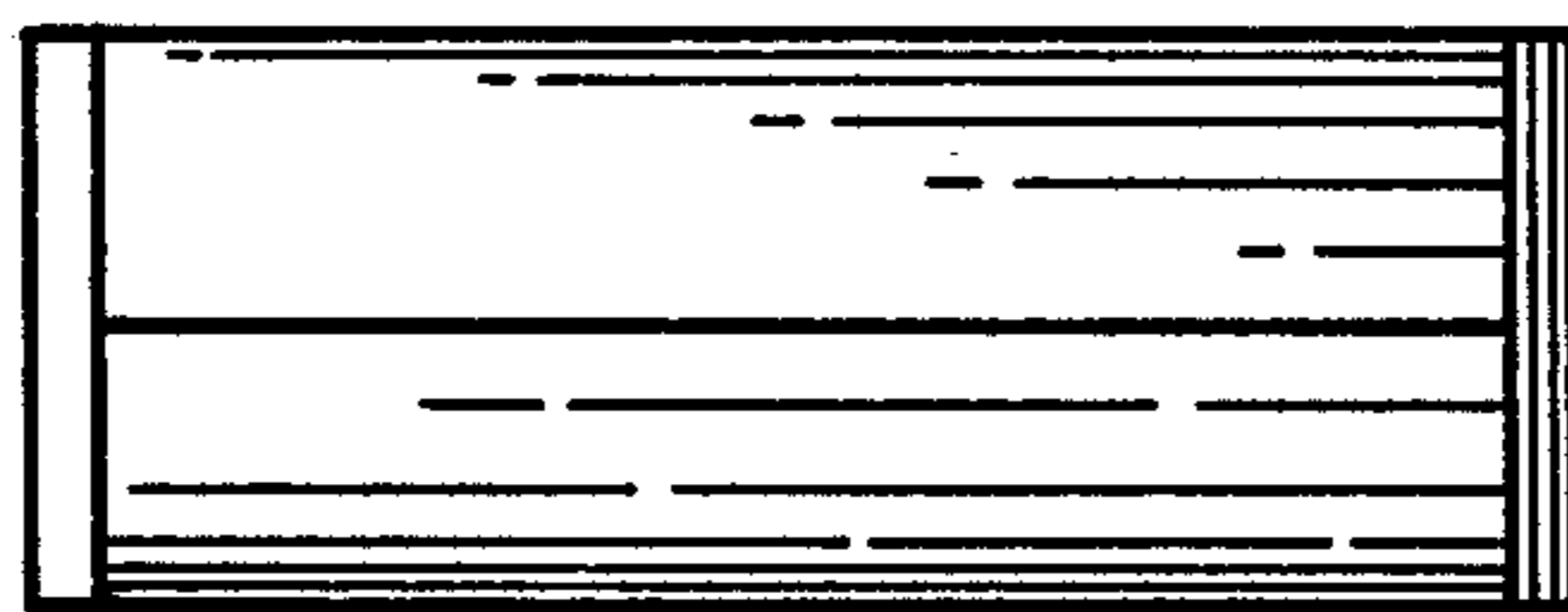


Fig. 3

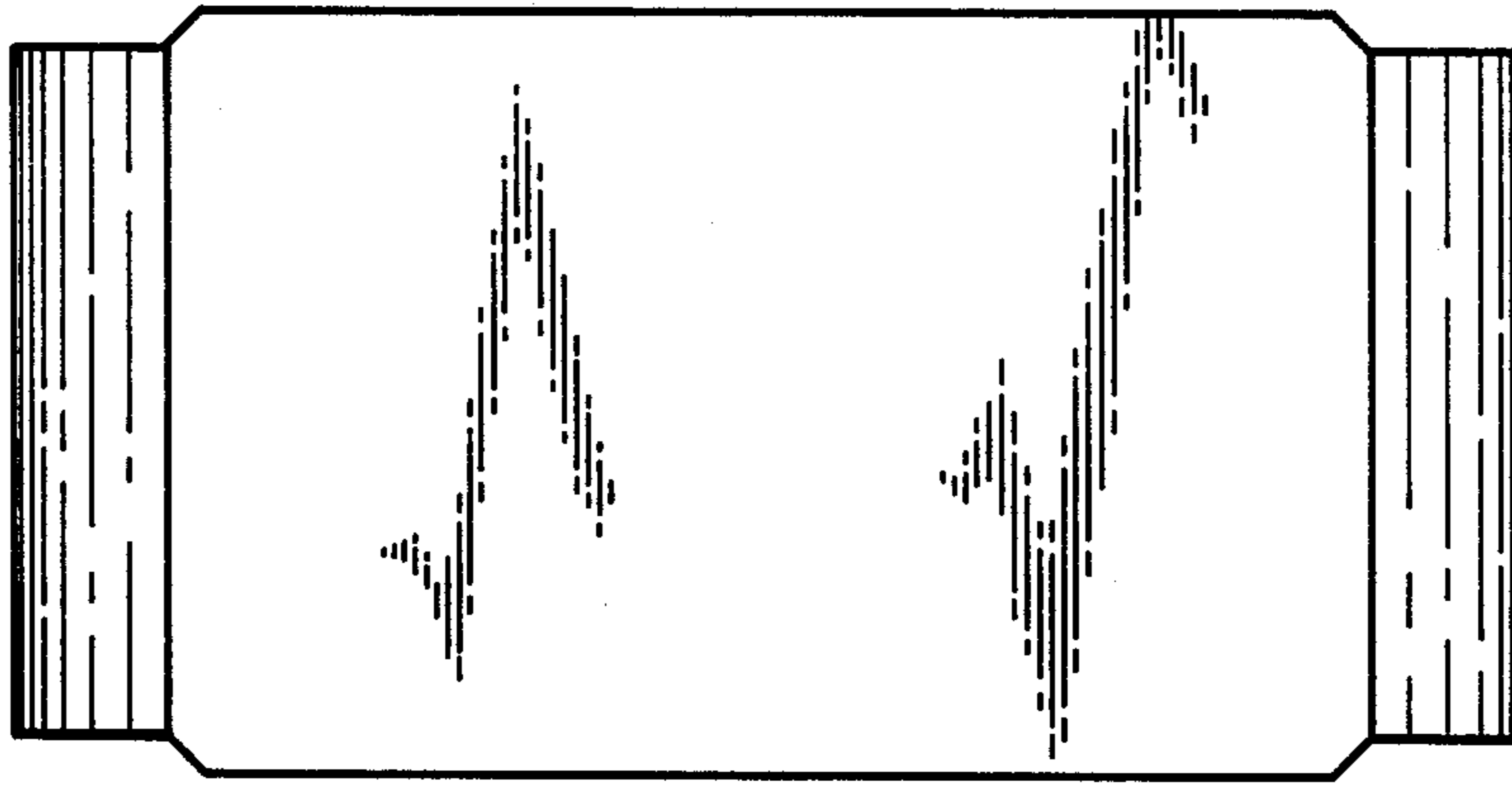


Fig. 4