

United States Patent [19]

Cayce et al.

[11] Patent Number: **Des. 302,109**

[45] Date of Patent: **** Jul. 11, 1989**

[54] WING NUT

[75] Inventors: **David Cayce, Glenrock; Wayne E. Cohen, Emerson, both of N.J.**

[73] Assignee: **Latin Percussion, Inc., Garfield, N.J.**

[**] Term: **14 Years**

[21] Appl. No.: **52,767**

[22] Filed: **May 22, 1987**

[52] U.S. Cl. **D8/398**

[58] Field of Search **D8/397, 398; 411/427, 411/435**

[56] **References Cited**

U.S. PATENT DOCUMENTS

D. 176,945	2/1956	Gilson	D8/398
D. 274,979	8/1984	Hill	D8/398
2,793,376	5/1957	Pavlinetz	411/435

FOREIGN PATENT DOCUMENTS

0801373 1/1951 Fed. Rep. of Germany 411/435

OTHER PUBLICATIONS

Shear-Loc Products Cat. 801; p. 1; Thumb Screw Knob, (right of center).

Primary Examiner—B. J. Bullock

Attorney, Agent, or Firm—Collard, Roe & Galgano

[57] **CLAIM**

The ornamental design for a wing nut, as shown.

DESCRIPTION

FIG. 1 is a perspective view, of a wing nut showing my new design;

FIG. 2 is a top view thereof;

FIG. 3 is a side view thereof (the other side view being the same);

FIG. 4 is an end view thereof (the other end view being the same).

FIG. 5 is a bottom view thereof.

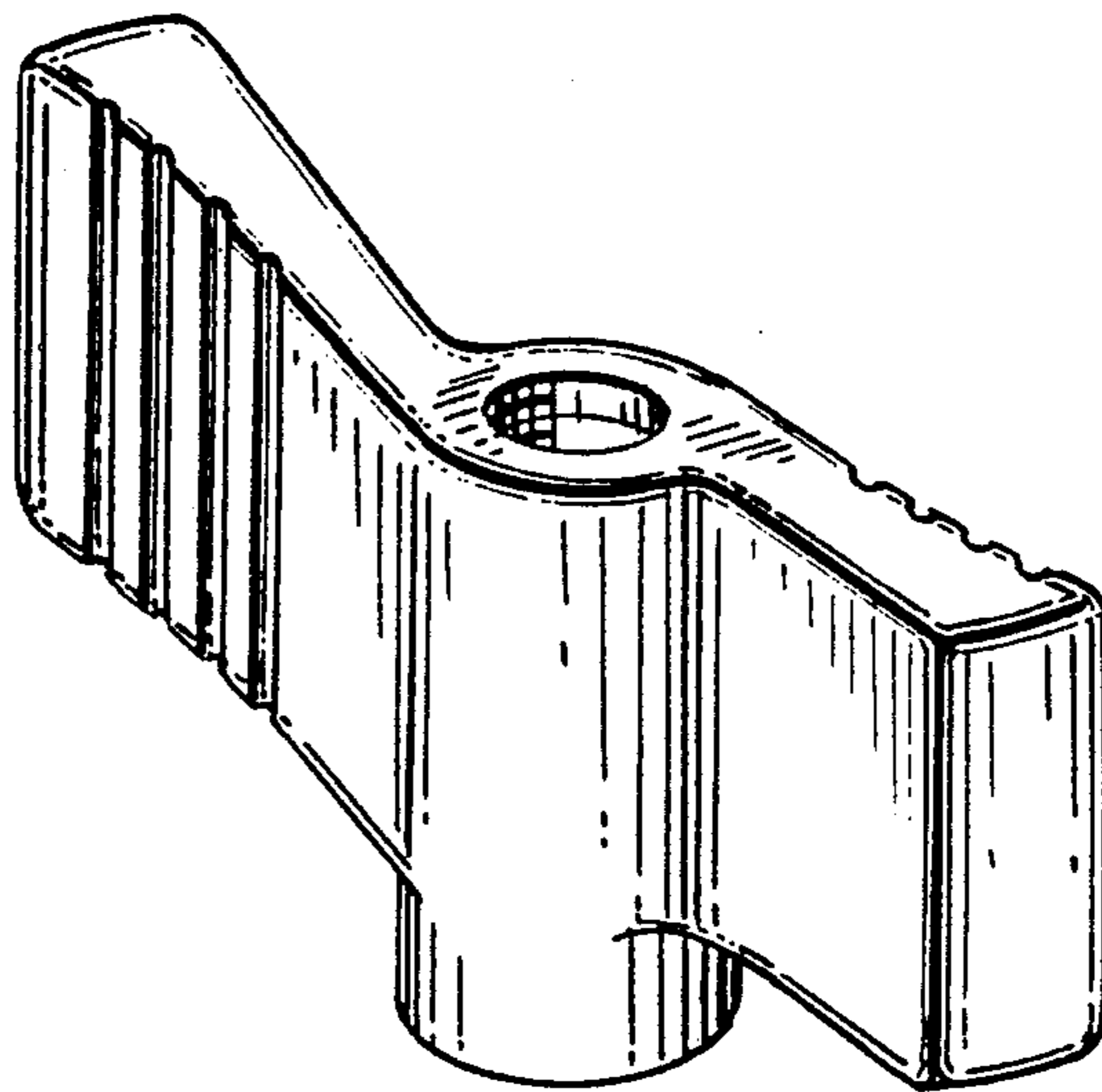


FIG. 1

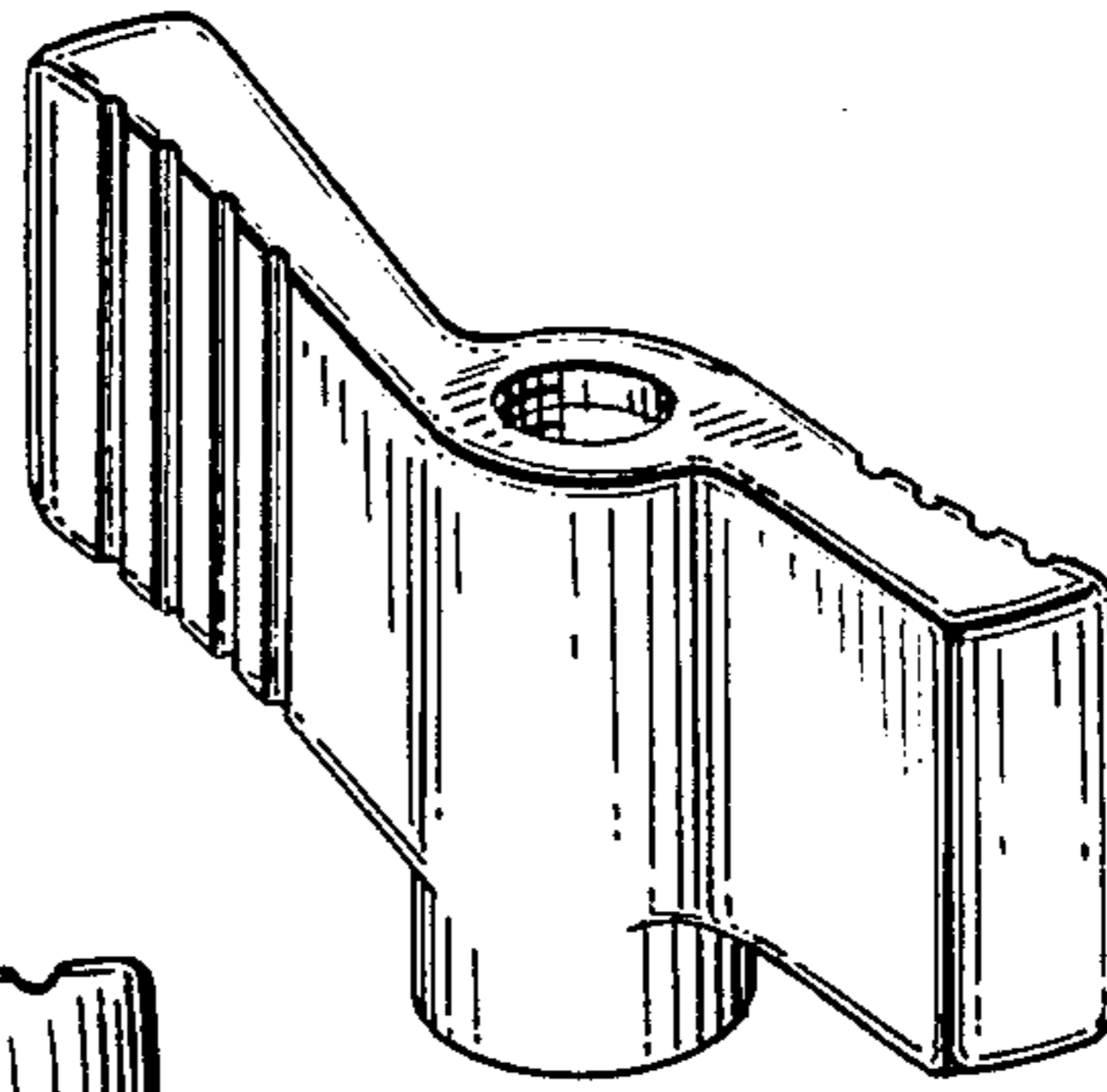


FIG. 2

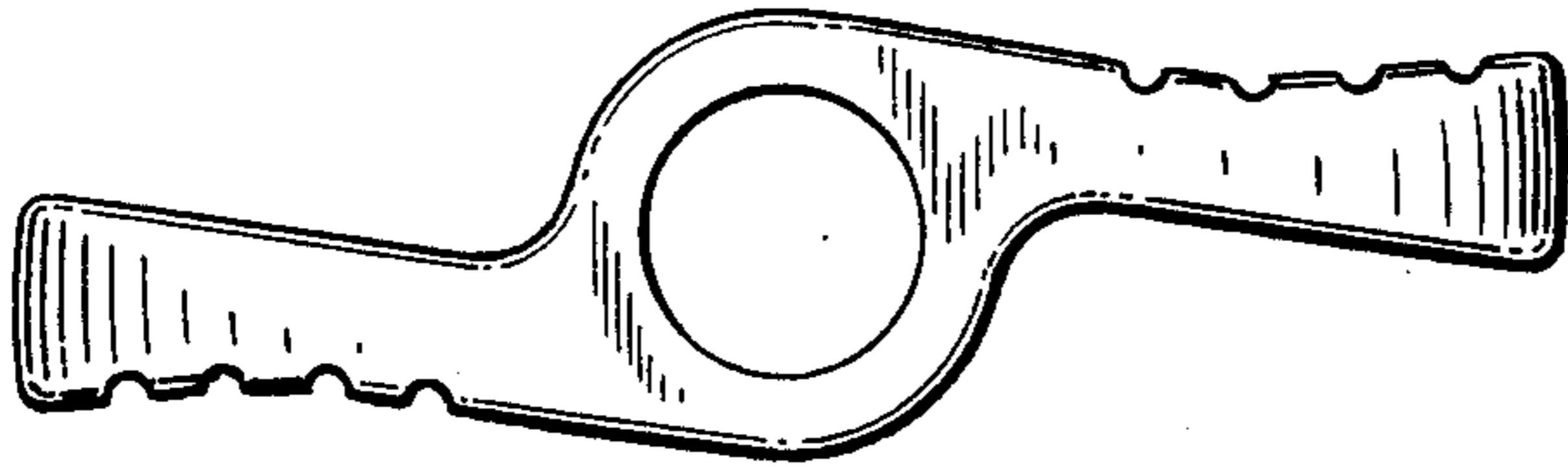


FIG. 3

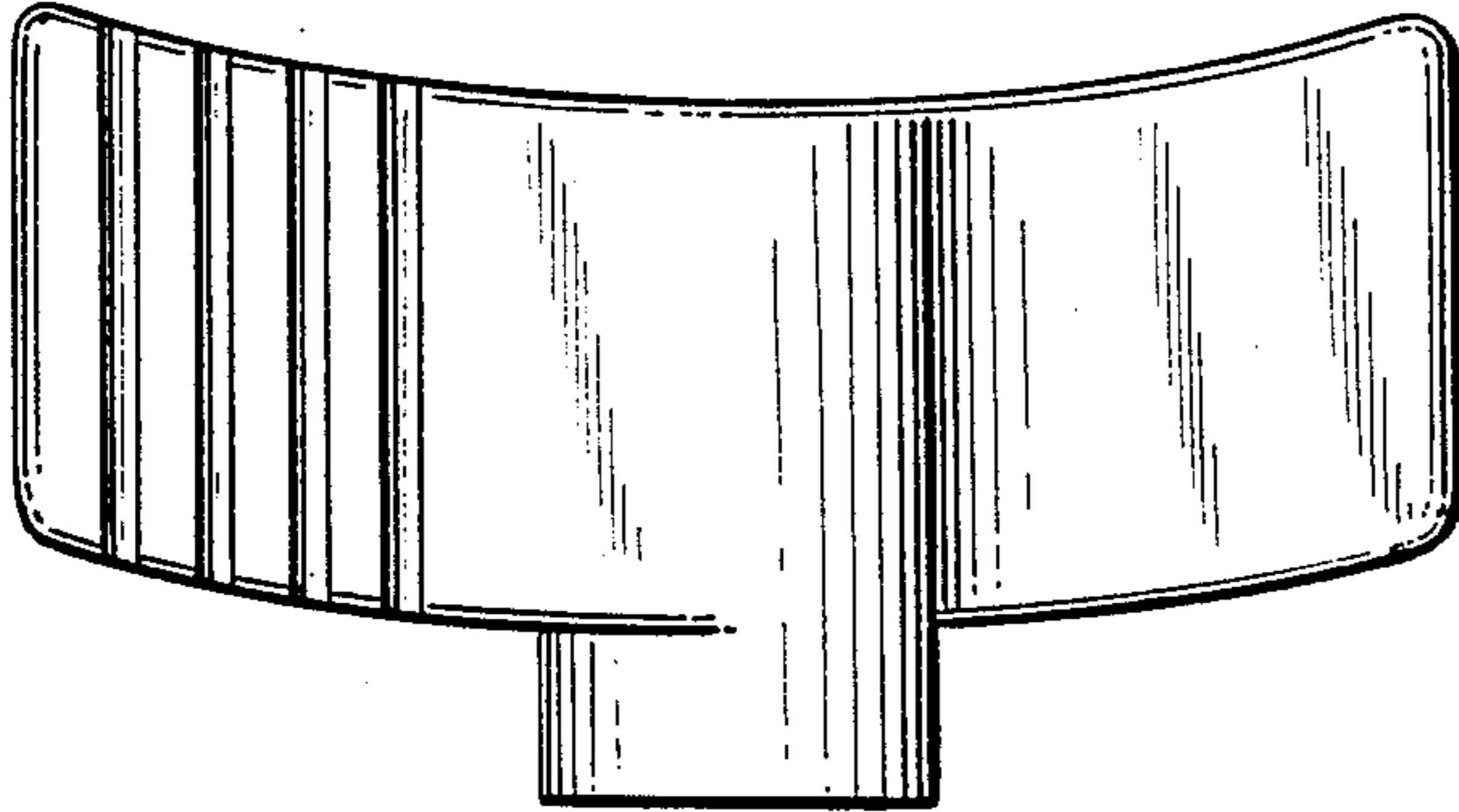


FIG. 4

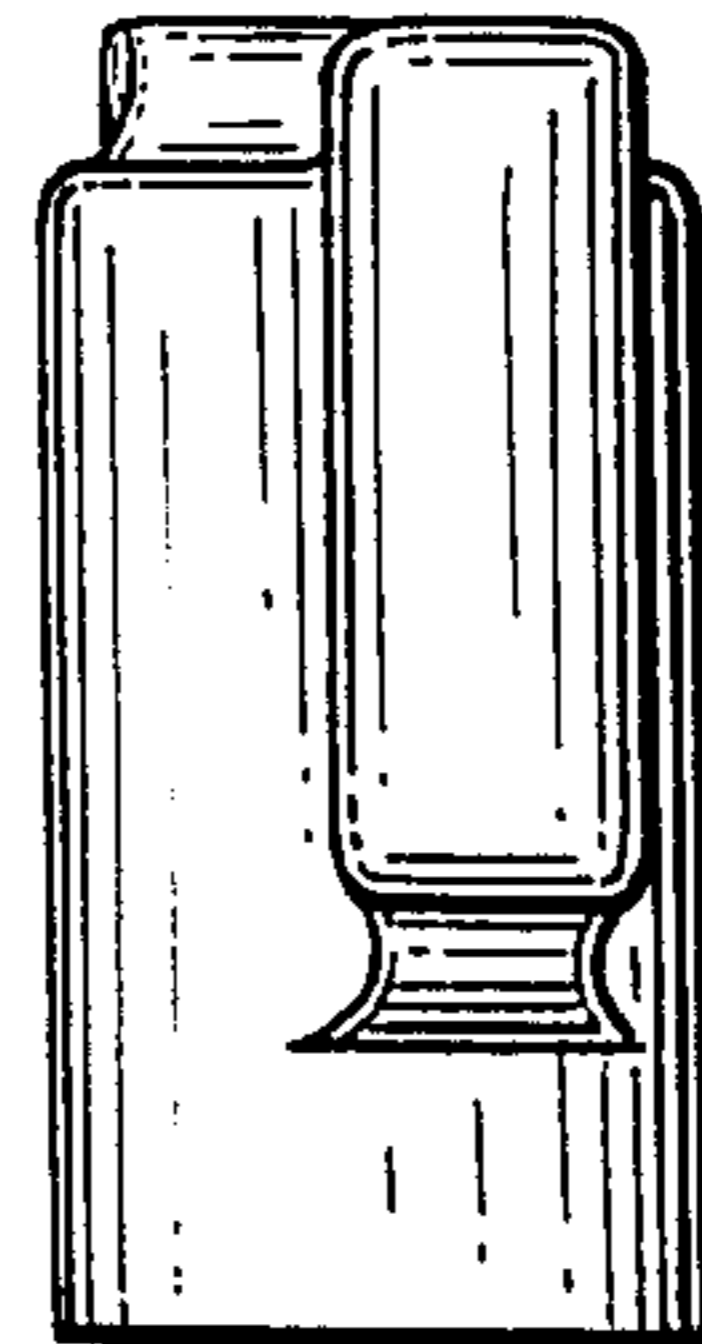


FIG. 5

