

United States Patent [19]

Halsted et al.

[11] Patent Number: **Des. 302,103**

[45] Date of Patent: **** Jul. 11, 1989**

[54] **COMBINED LOCK AND HANDLE UNIT**

[75] Inventors: **Milt J. Halsted**, San Juan Capistrano;
Karen L. Graham, Long Beach, both
of Calif.

[73] Assignee: **Kwikset Corporation**, Anaheim,
Calif.

[*] Notice: The portion of the term of this patent
subsequent to Jul. 11, 2003 has been
disclaimed.

[**] Term: **14 Years**

[21] Appl. No.: **38,812**

[22] Filed: **Apr. 15, 1987**

[52] U.S. Cl. **D8/302; D8/320;**
D8/350

[58] Field of Search **D8/300, 301, 302, 315-320,**
D8/350, 331; 16/110 R, 111 R, 121; 70/91, 448,
452, DIG. 67, DIG. 72

[56] **References Cited**

U.S. PATENT DOCUMENTS

D. 43,534 2/1913 Hawley D8/350
D. 259,915 7/1981 Pittenger D8/320

OTHER PUBLICATIONS

Schlage Cat. S-80; p. 69; Plymouth Pull.
Sager Cat. No. 37; ©1937; p. 235; Door Handle Set,
Richmond Design RM92.

Weslock Door Pull brochure; 9/1968, front side; Colo-
nial Pull.

Primary Examiner—B. J. Bullock
Attorney, Agent, or Firm—Barry E. Deutsch

[57] **CLAIM**

The ornamental design for a combined lock and handle
unit, as shown and described.

DESCRIPTION

FIG. 1 is front elevational view of a combined lock and
handle unit showing our new design;
FIG. 2 is a right side elevational view, the left side being
a mirror image;
FIG. 3 is a rear elevational view;
FIG. 4 is a top plan view; and
FIG. 5 is a bottom plan view.

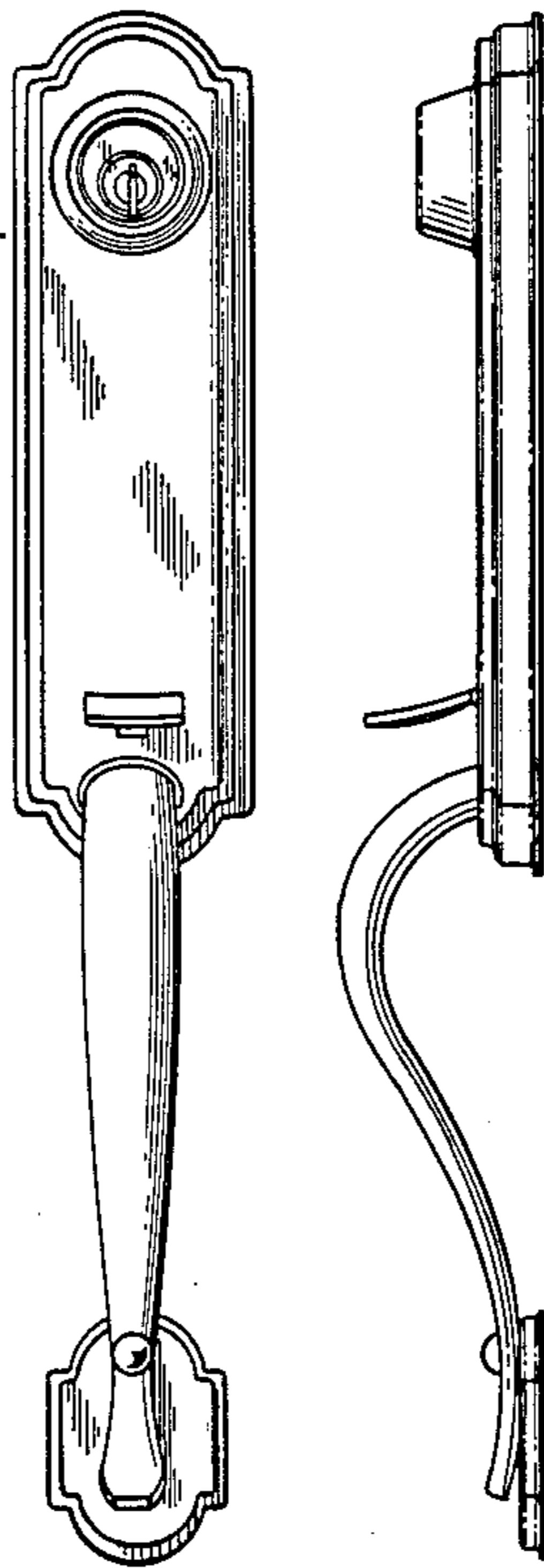


FIG. 1

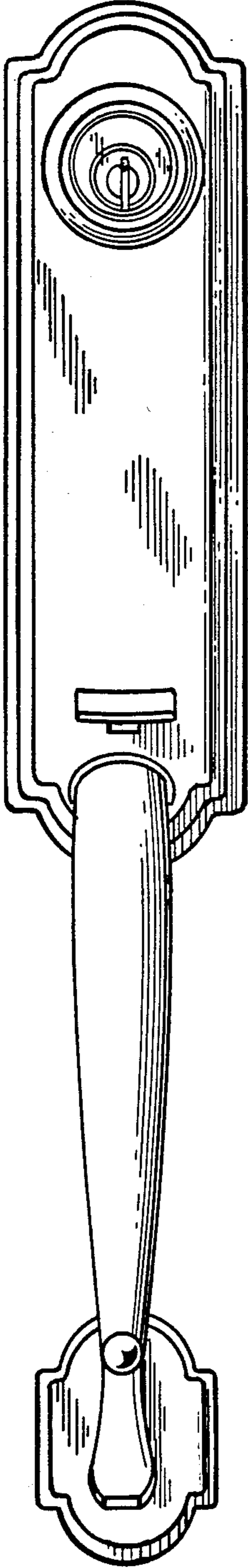


FIG. 2

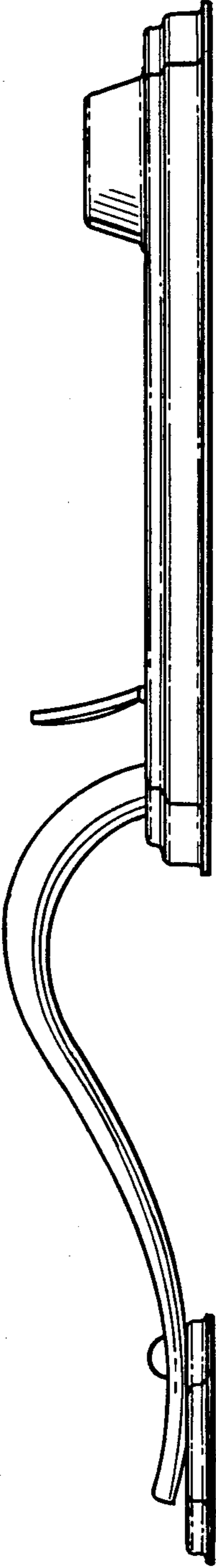


FIG. 3

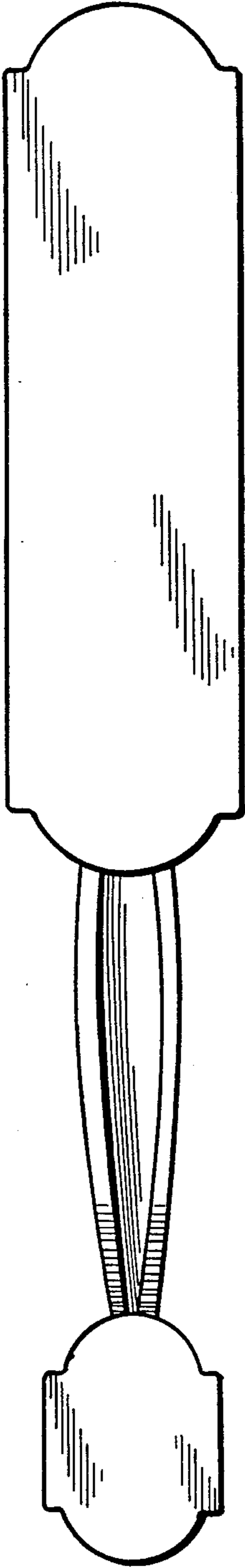


FIG. 4

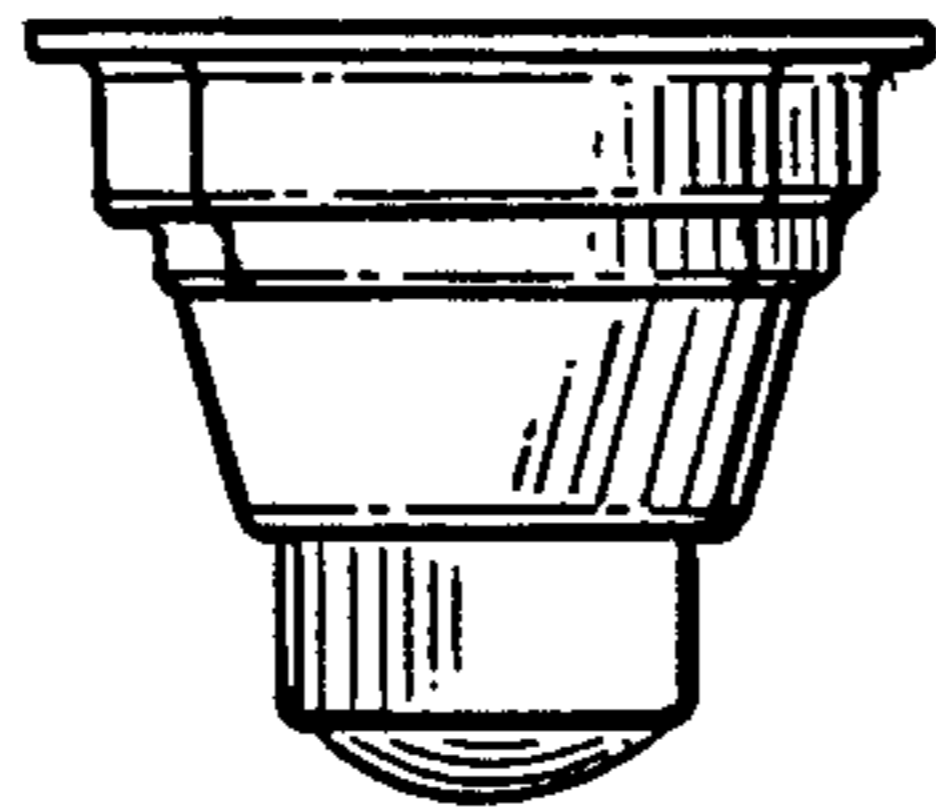


FIG. 5

