

[54] **MULTIPURPOSE STATIONERY TOOL**

[75] **Inventor: Hidefumi Amagaya, Yokohama, Japan**  
 [73] **Assignee: Plus Corporation, Tokyo, Japan**  
 [\*\*] **Term: 14 Years**  
 [21] **Appl. No.: 22,428**  
 [22] **Filed: Mar. 6, 1987**

[30] **Foreign Application Priority Data**  
 Oct. 7, 1986 [JP] Japan ..... 61-39703  
 [52] **U.S. Cl. .... D8/105; D19/65**  
 [58] **Field of Search ..... D8/14, 104, 105; 7/118, 7/119, 160, 163, 164**

[56] **References Cited**

**U.S. PATENT DOCUMENTS**

95,964	10/1869	Zerbe .....	7/163
136,693	3/1873	Bartle .....	7/119
589,847	9/1897	Miller .....	7/164
883,648	3/1908	Landers .....	7/118
1,047,795	12/1912	Gross et al. ....	7/118
1,200,079	10/1916	Christensen et al. ....	7/118
1,828,121	10/1931	Adam et al. ....	7/118
2,503,380	4/1950	Derby .....	7/118

**FOREIGN PATENT DOCUMENTS**

409943	9/1910	France .....	7/118
582724	10/1924	France .....	7/118

*Primary Examiner*—Bruce W. Dunkins  
*Assistant Examiner*—Clare E. Heflin  
*Attorney, Agent, or Firm*—Koda and Androlia

[57] **CLAIM**  
 The ornamental design for a multipurpose stationery tool, as shown and described.

**DESCRIPTION**

FIG. 1 is a front elevational view of a multipurpose stationery tool showing my new design;  
 FIG. 2 is a rear elevational view thereof;  
 FIG. 3 is a left side elevational view thereof;  
 FIG. 4 is a right side elevational view thereof;  
 FIG. 5 is a top plan view thereof;  
 FIG. 6 is a bottom plan view thereof;  
 FIG. 7 is a cross sectional view thereof taken along the line 7—7 of FIG. 3;  
 FIG. 8 is a cross sectional view thereof taken along the line 8—8 of FIG. 3;  
 FIG. 9 is a cross sectional view thereof taken along the line 9—9 of FIG. 3;  
 FIG. 10 is a front elevational view thereof with the stapler shown extended;  
 FIG. 11 is a rear elevational view thereof with the paper cutter shown extended;  
 FIG. 12 is a front elevational view thereof with the pin and staple remover shown extended;  
 FIG. 13 is a front elevational view thereof with an adhesive tape holder shown extended;  
 FIG. 14 is a front elevational view thereof with the tape measure shown extended;  
 FIG. 15 is a rear elevational view thereof with the pair of scissors shown extended;  
 FIG. 16 is a front elevational view thereof with the loupe shown extended;  
 FIG. 17 is a front elevational view thereof with the punch shown extended;  
 FIG. 18 is a perspective view thereof;  
 FIG. 19 is a fragmentary perspective view thereof with the stapler portion shown extended;  
 FIG. 20 is a fragmentary perspective view thereof with the adhesive tape holder shown extended;  
 FIG. 21 is a fragmentary perspective view thereof with the tape measure shown extended;  
 FIG. 22 is a fragmentary perspective view thereof with the loupe shown extended;  
 FIG. 23 is a fragmentary perspective view of the punch portion thereof.



FIG. 1

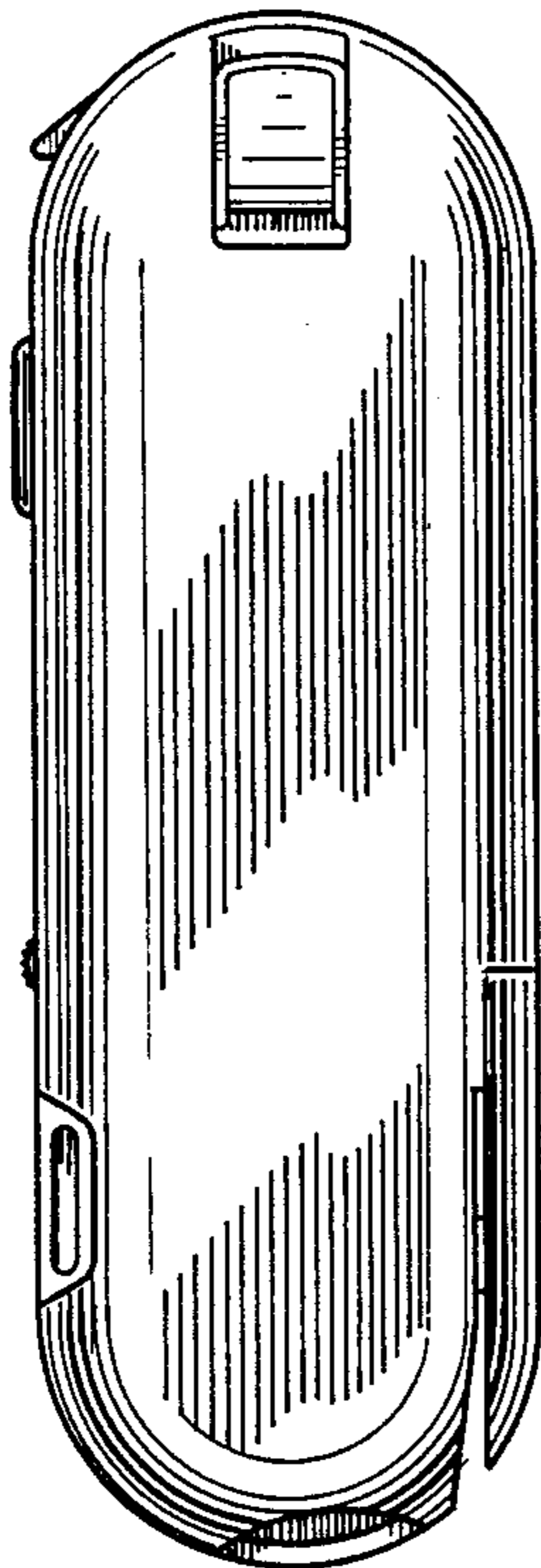


FIG. 2

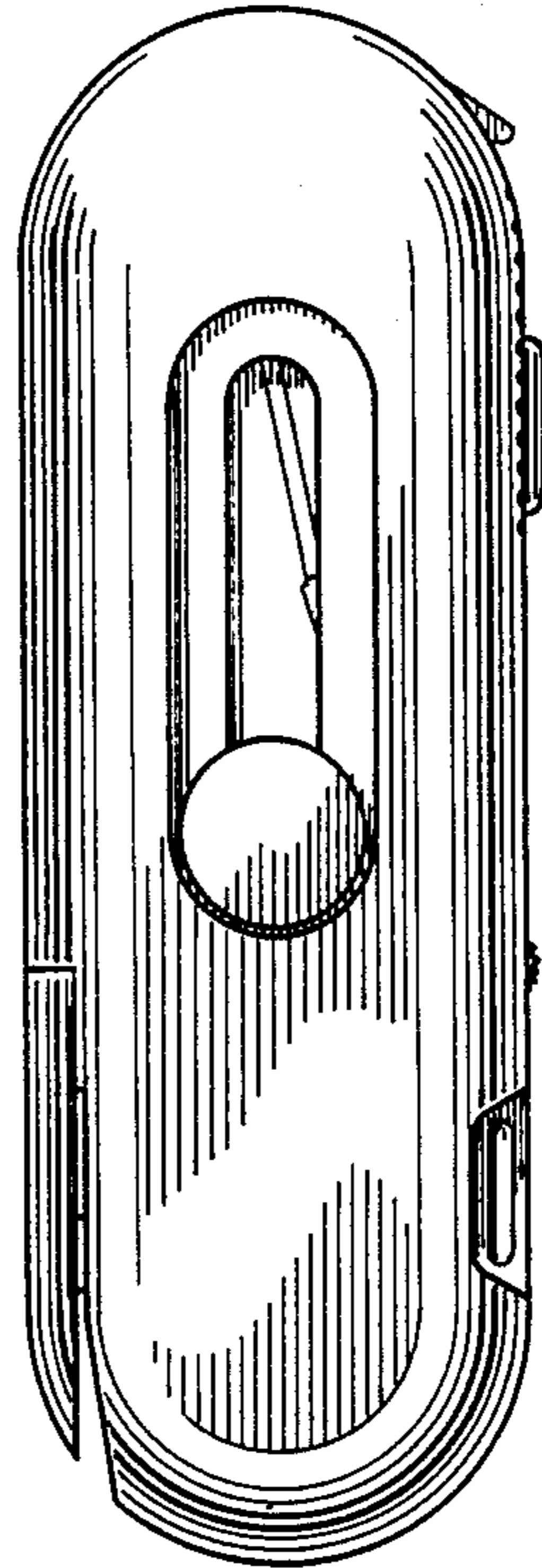


FIG. 3

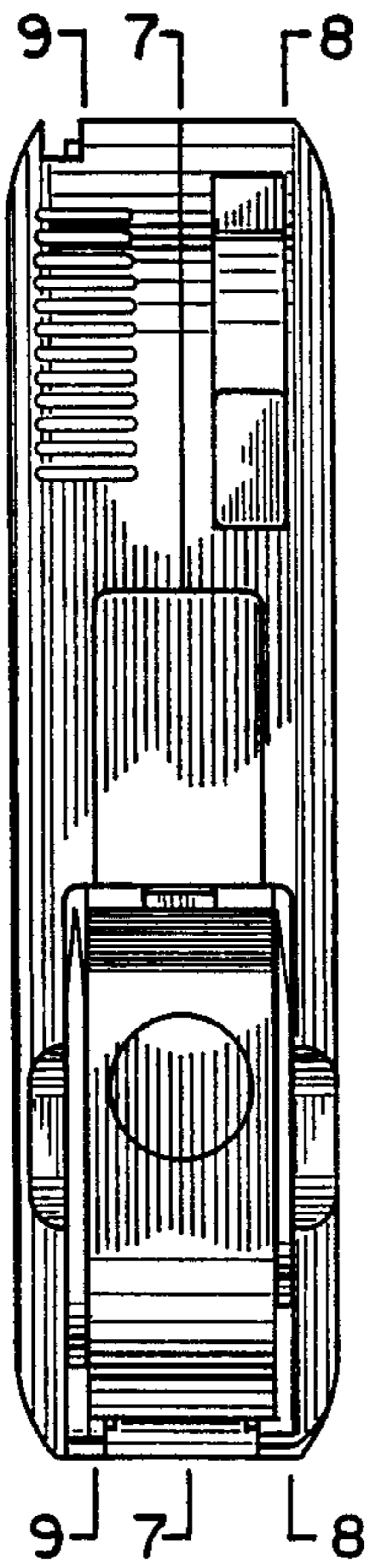


FIG. 4

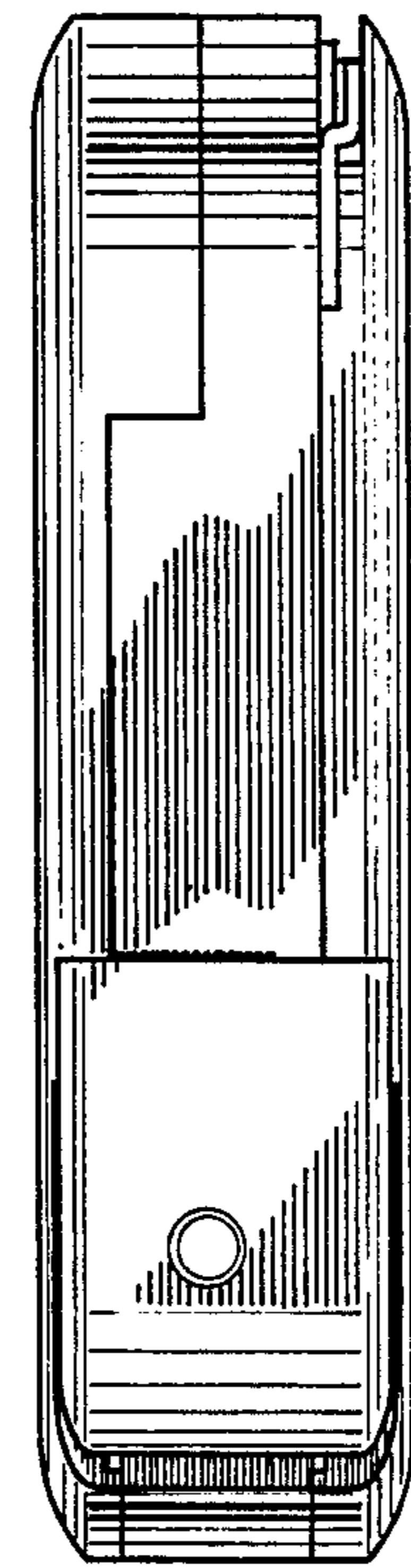


FIG. 5

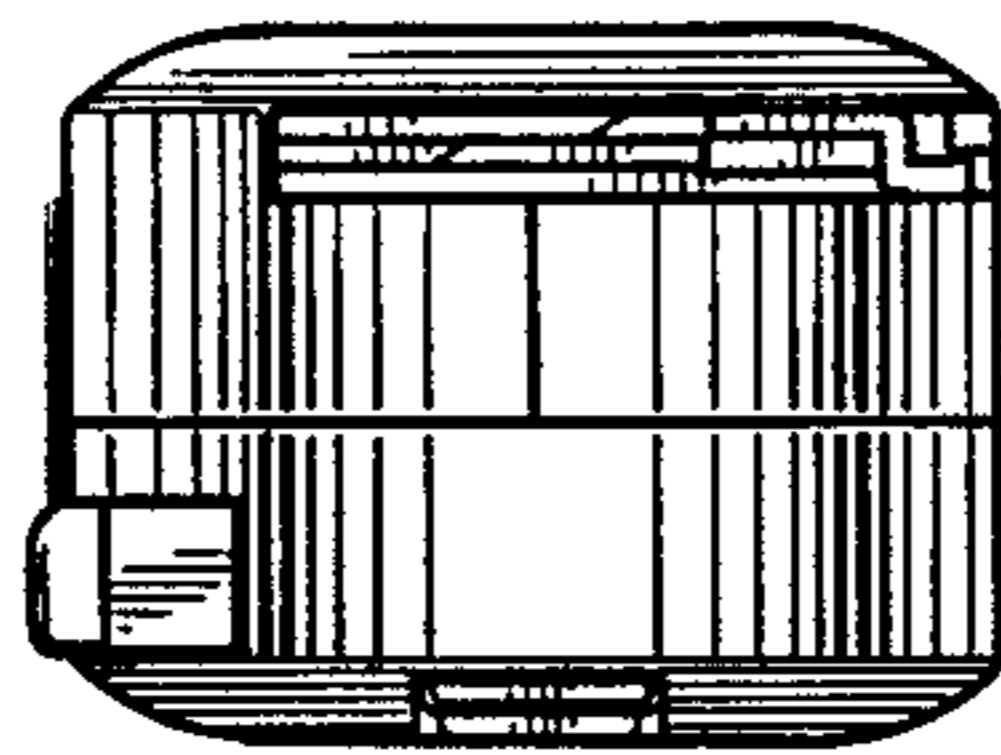


FIG. 6

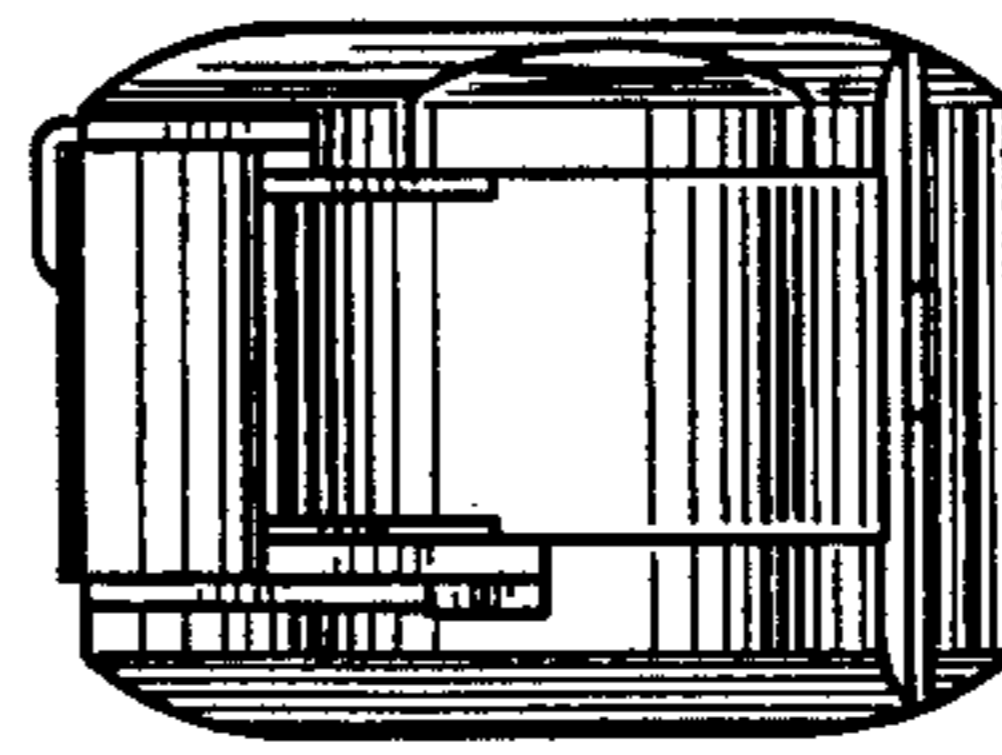


FIG. 7

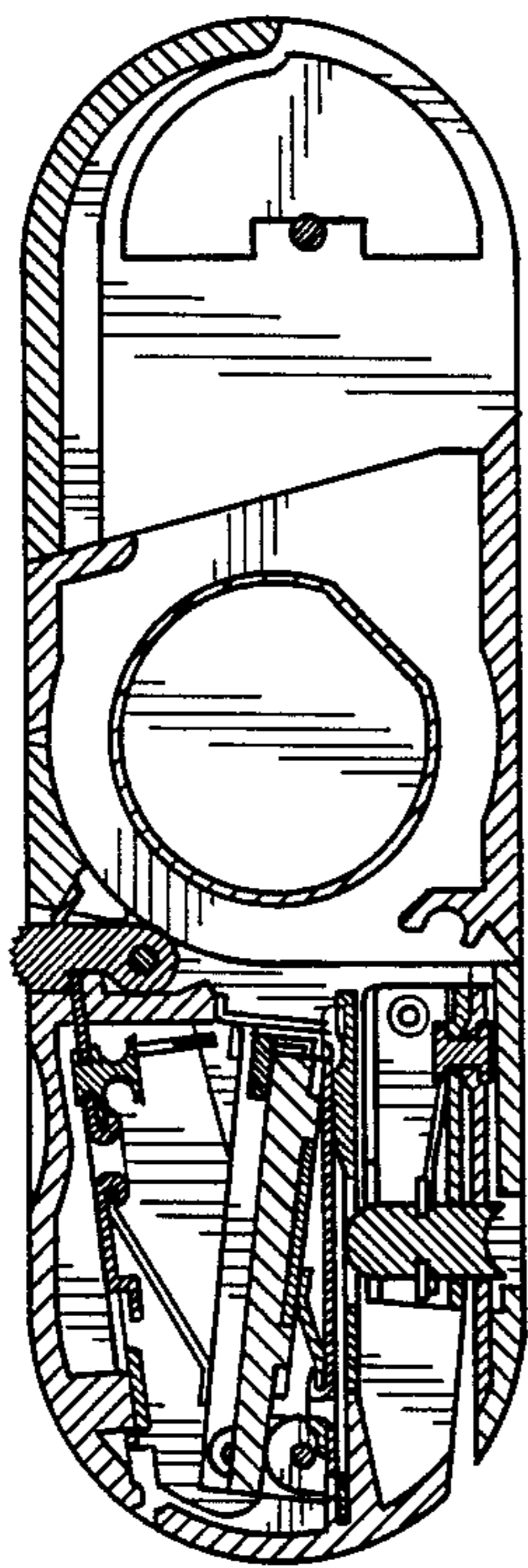


FIG. 8

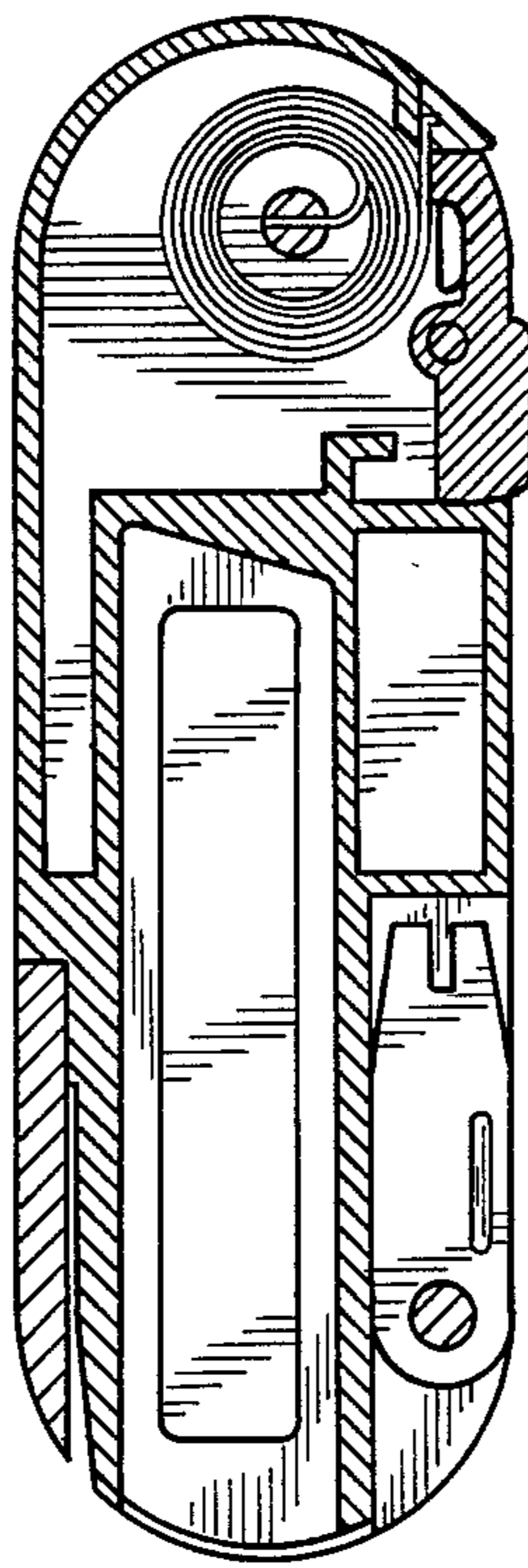


FIG. 9

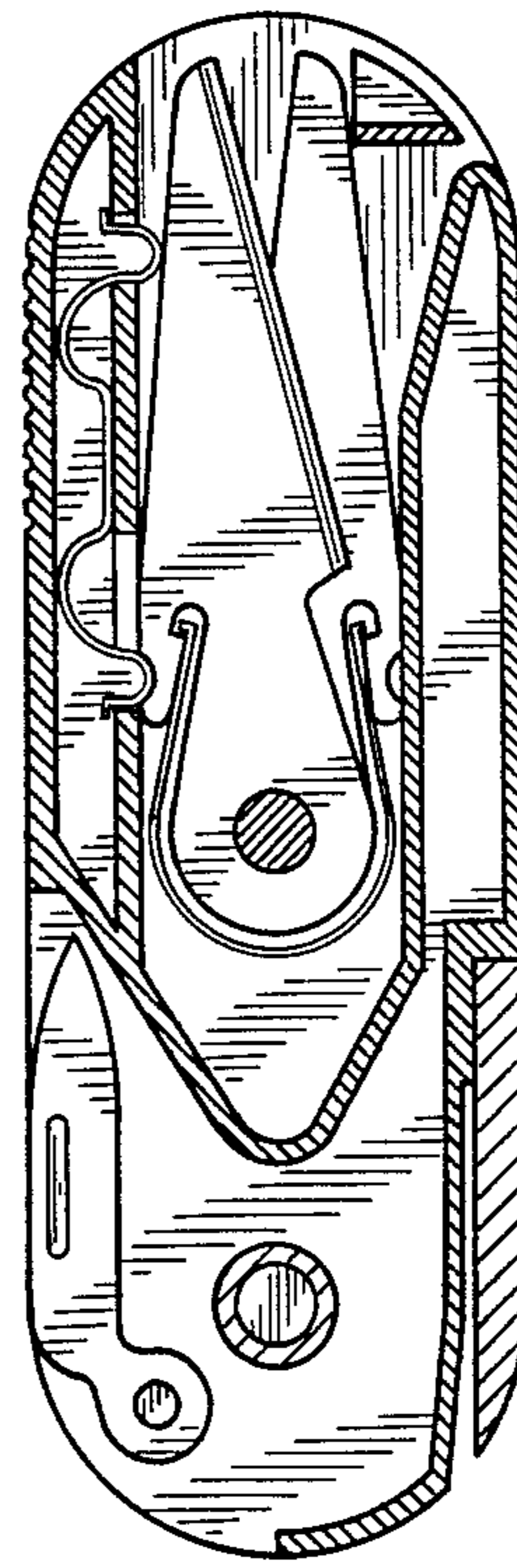


FIG. 10

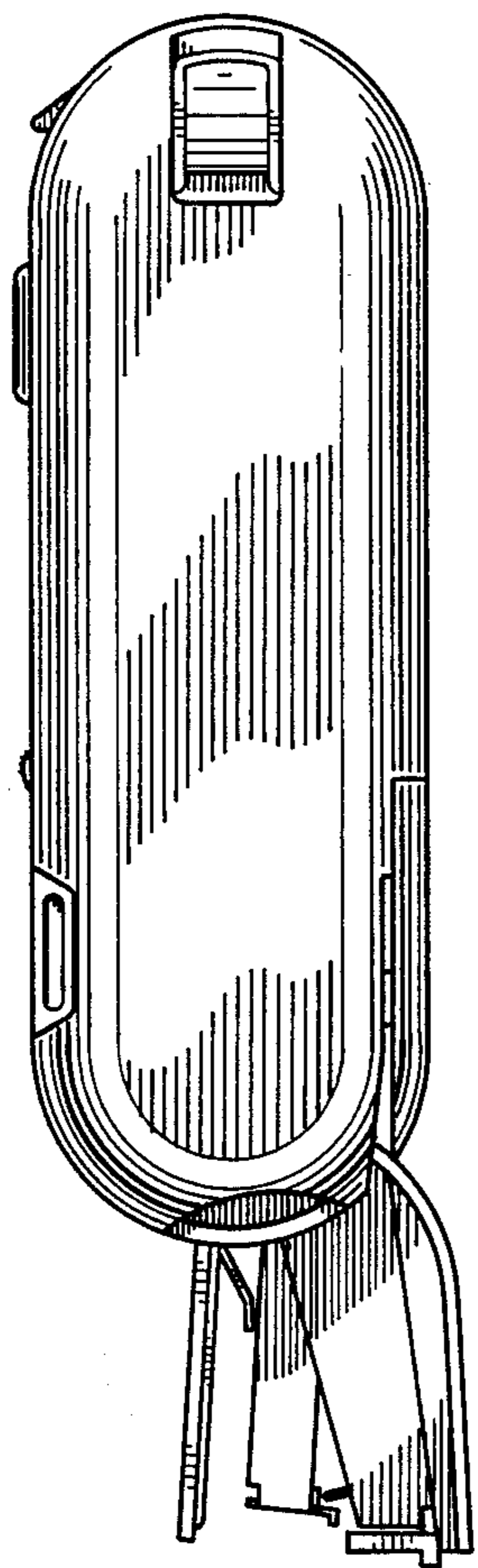


FIG. 11

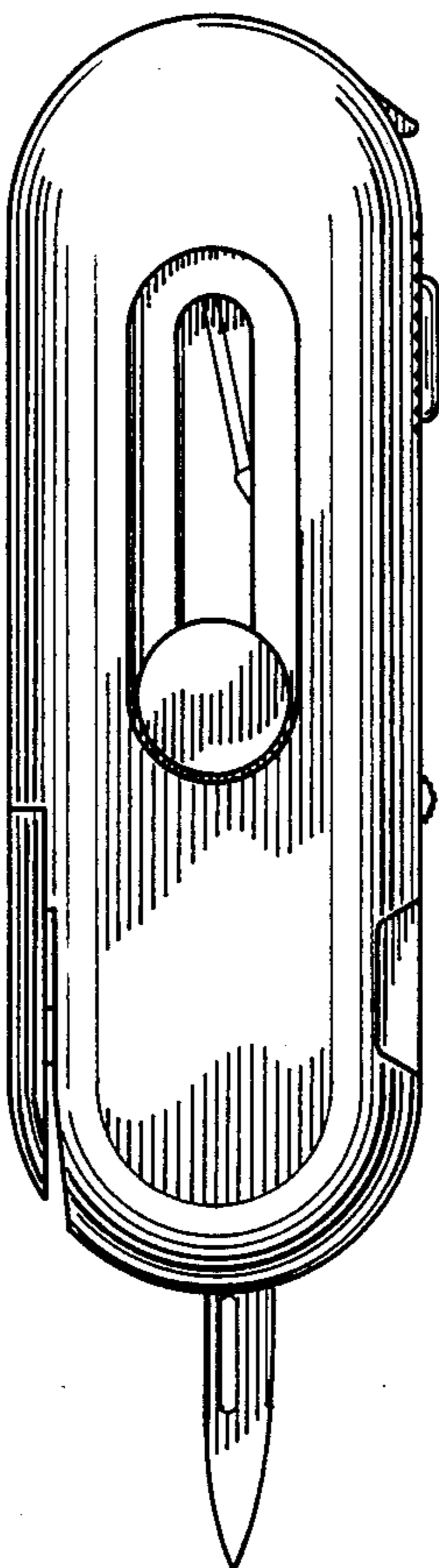


FIG. 12

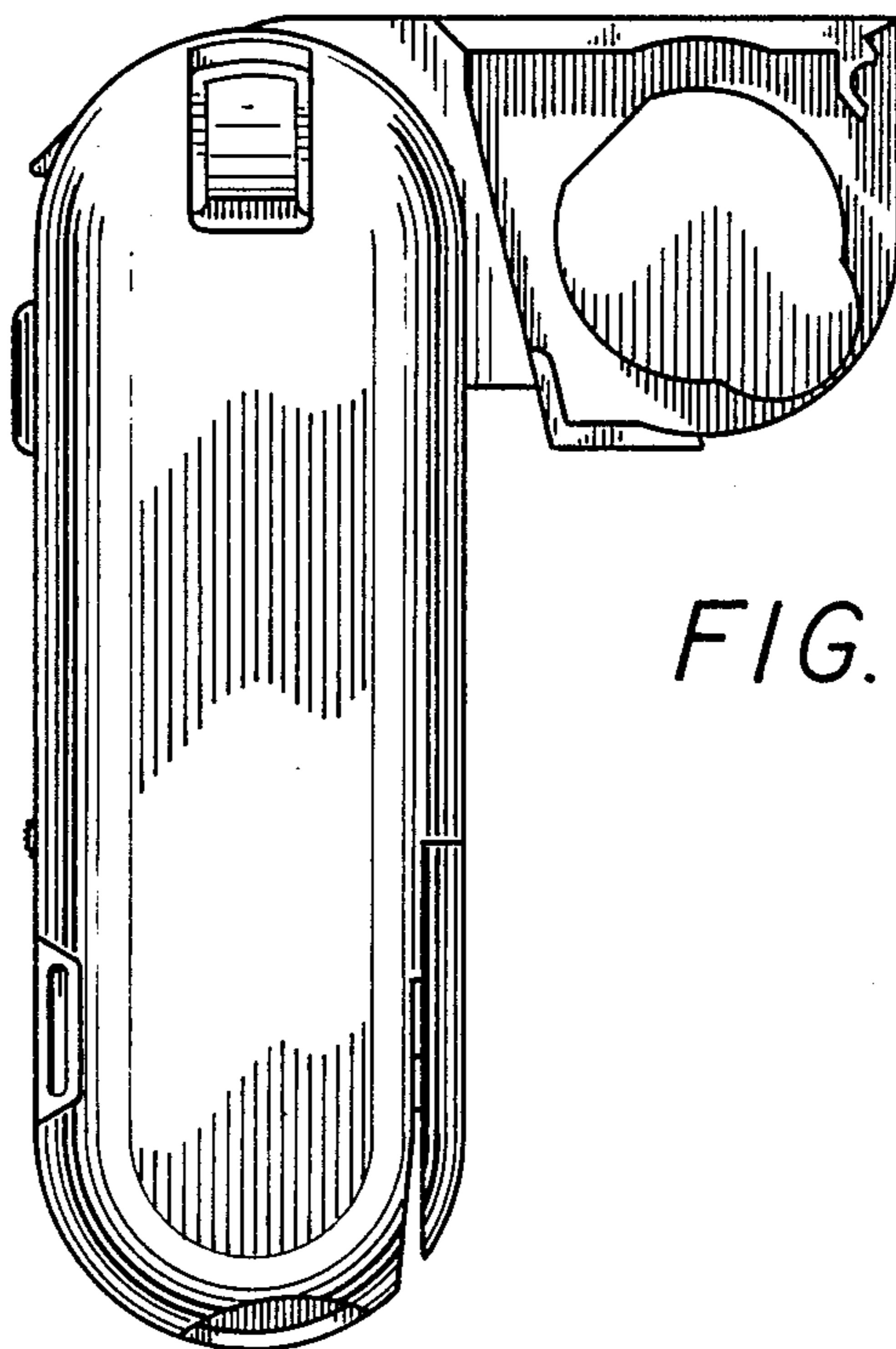
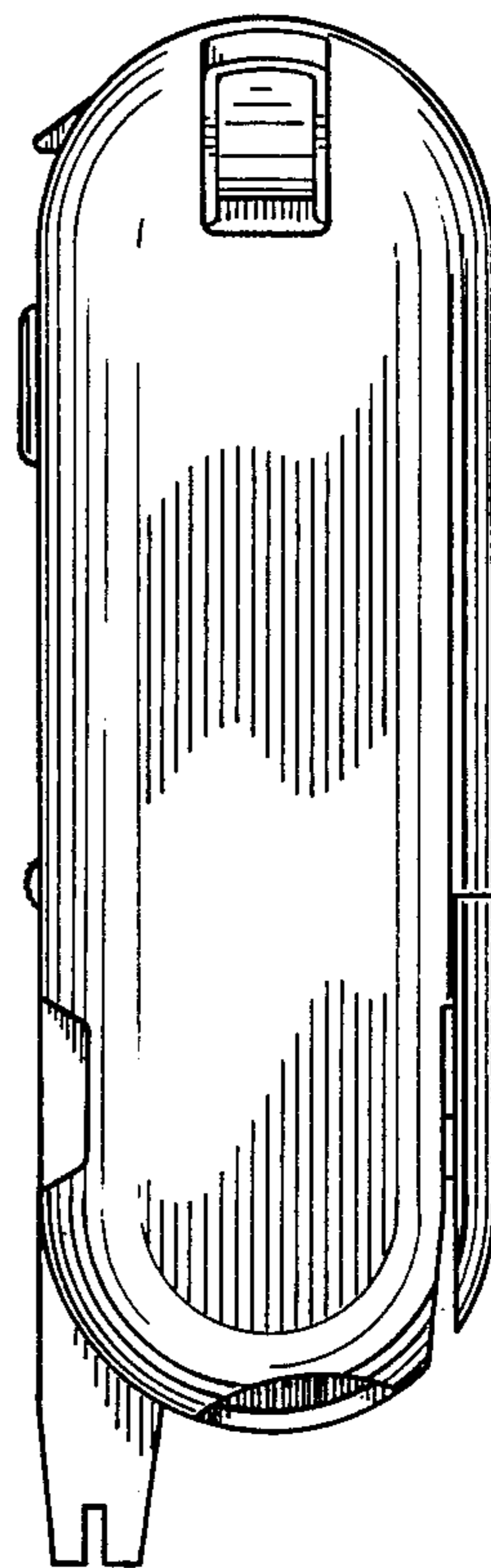


FIG. 13

FIG. 14

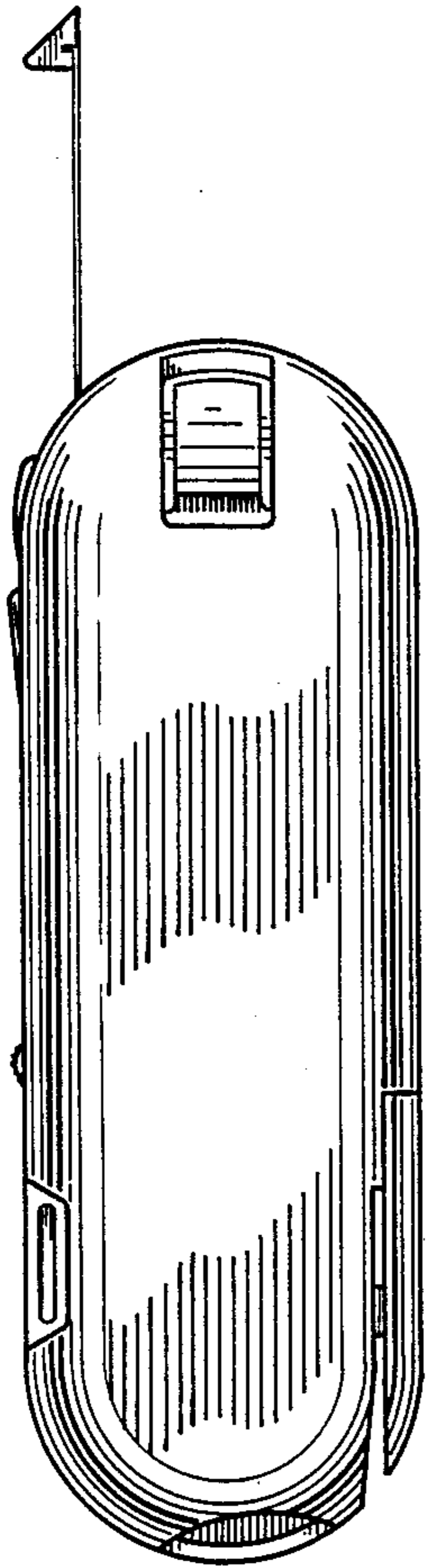


FIG. 15

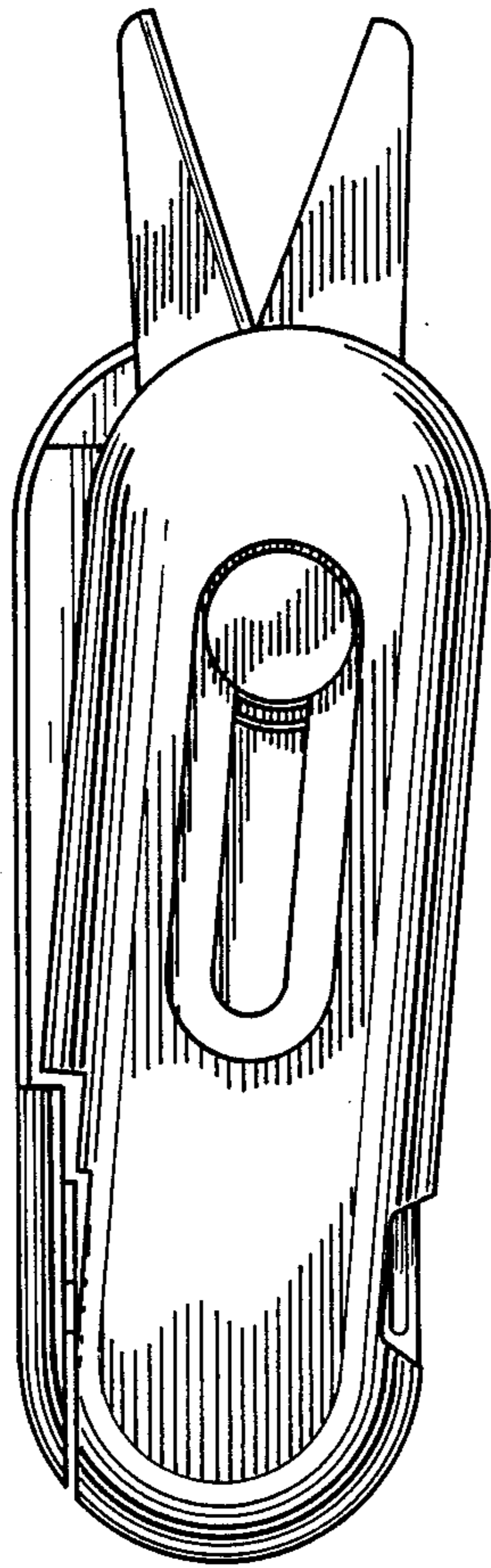


FIG. 16

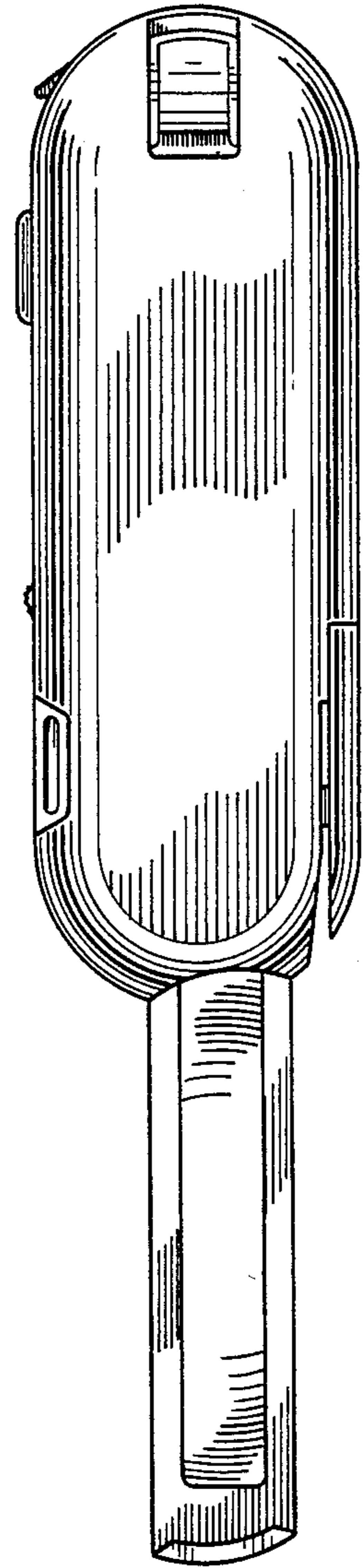


FIG. 17

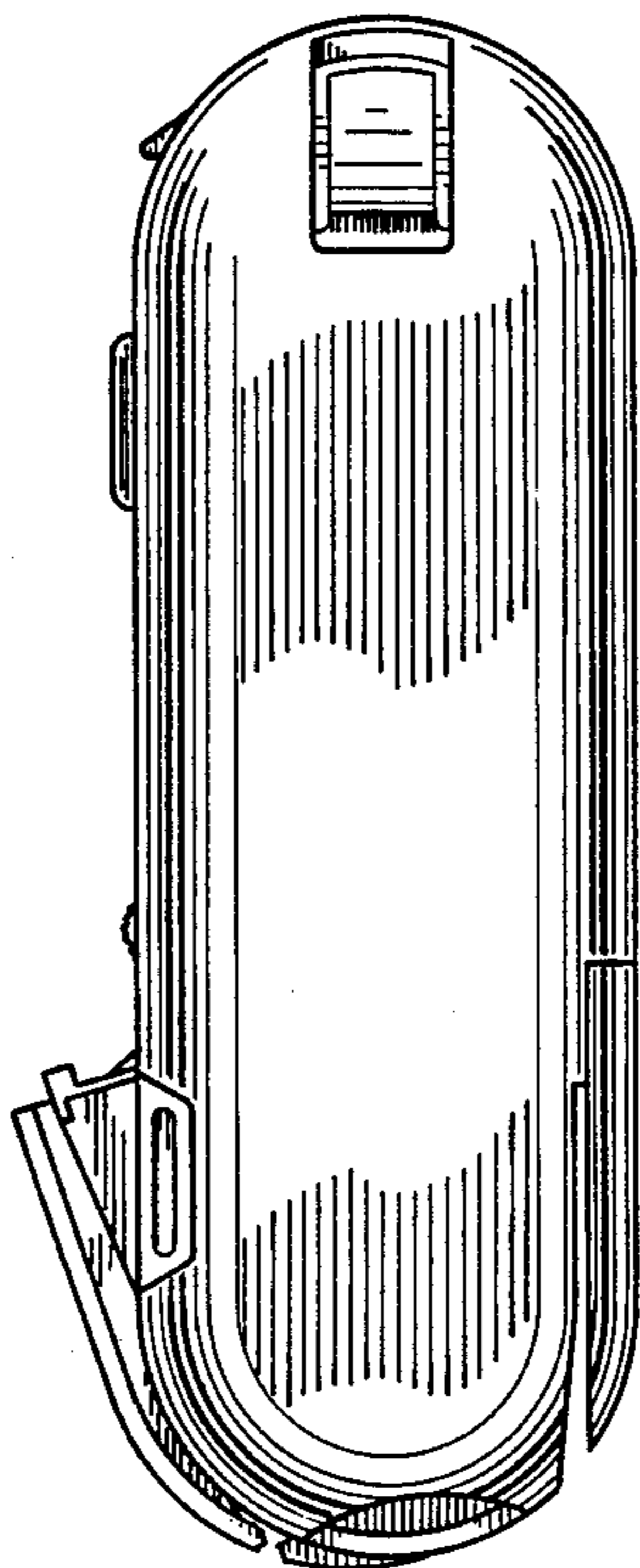
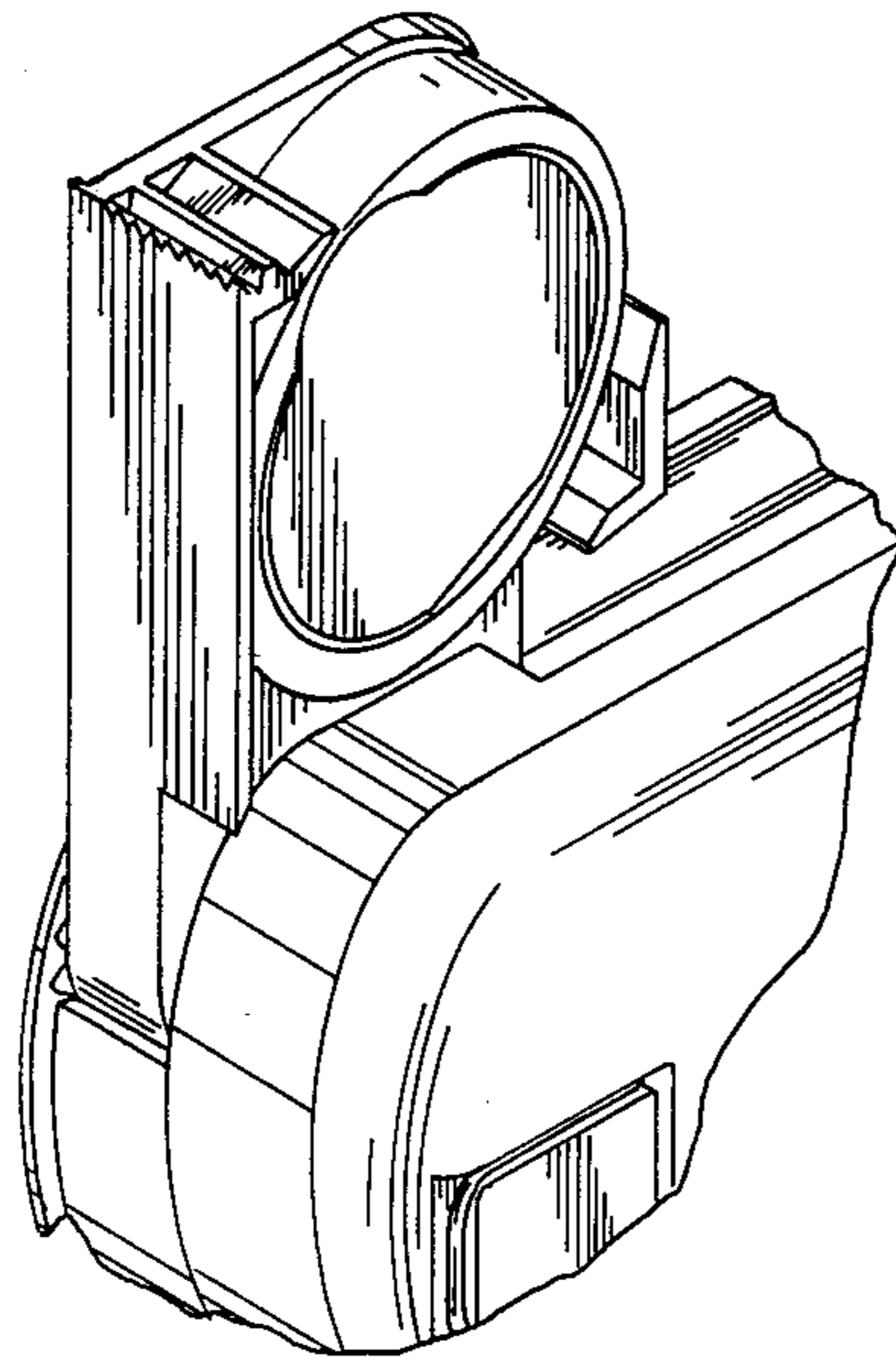
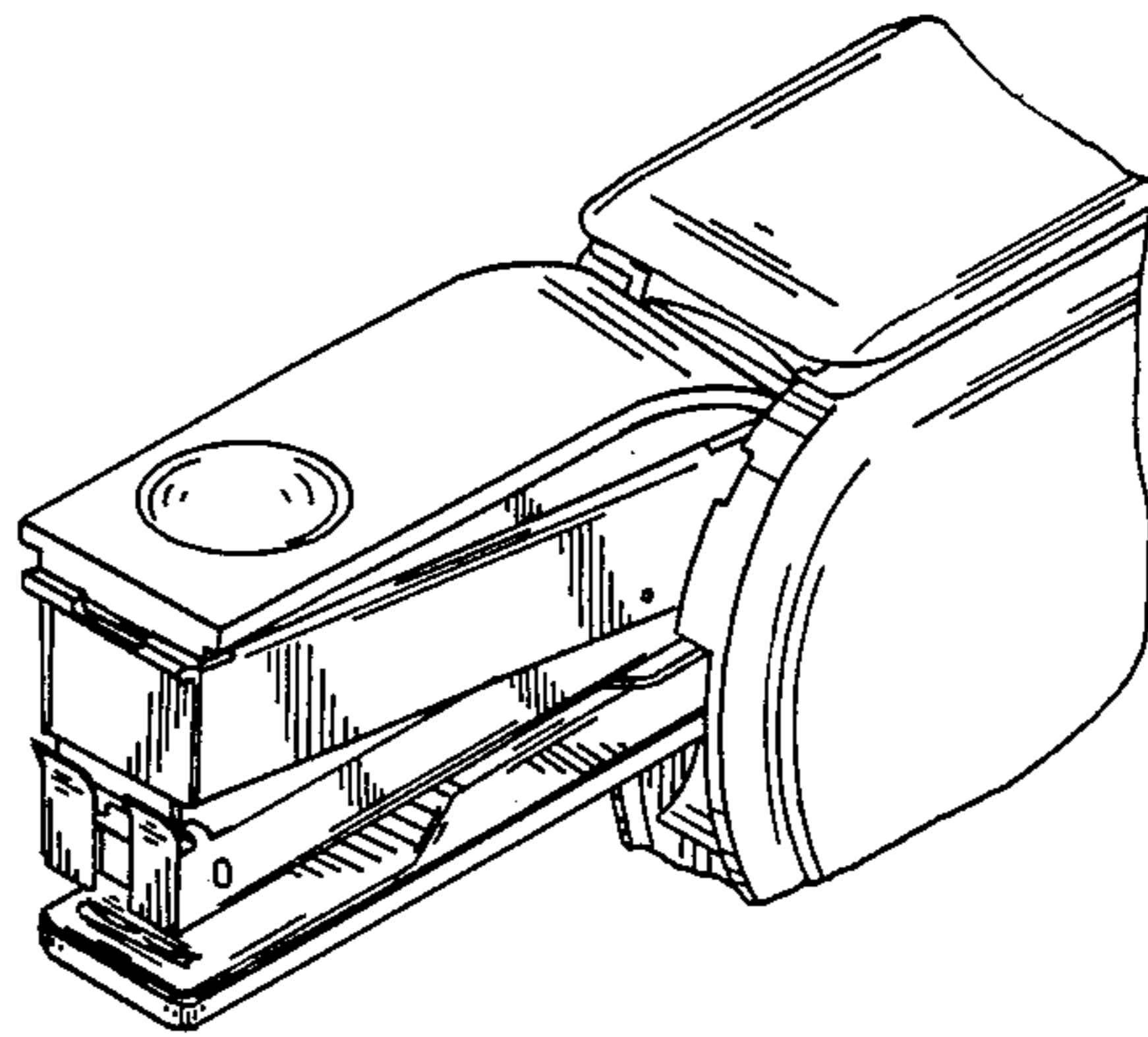


FIG. 18

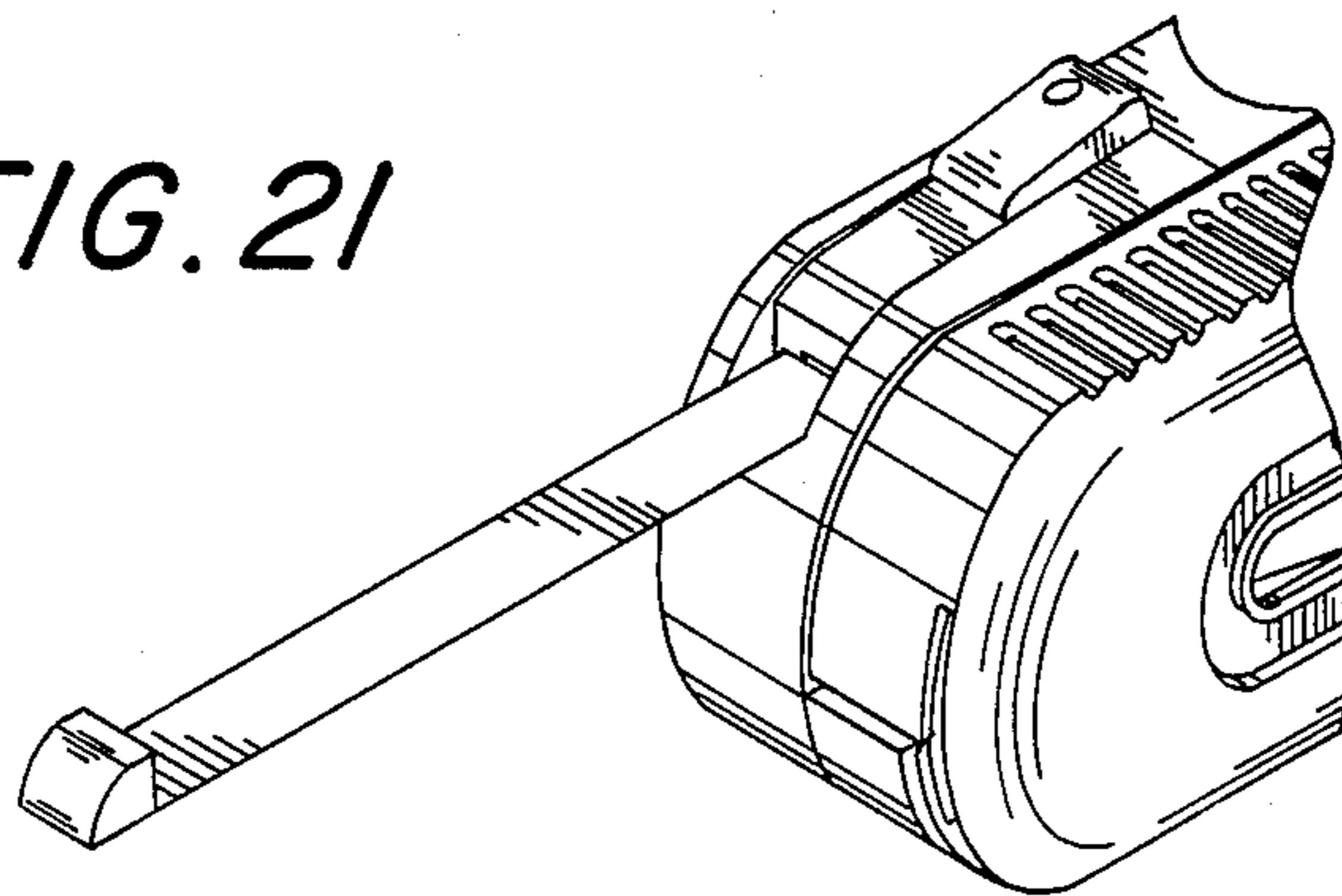


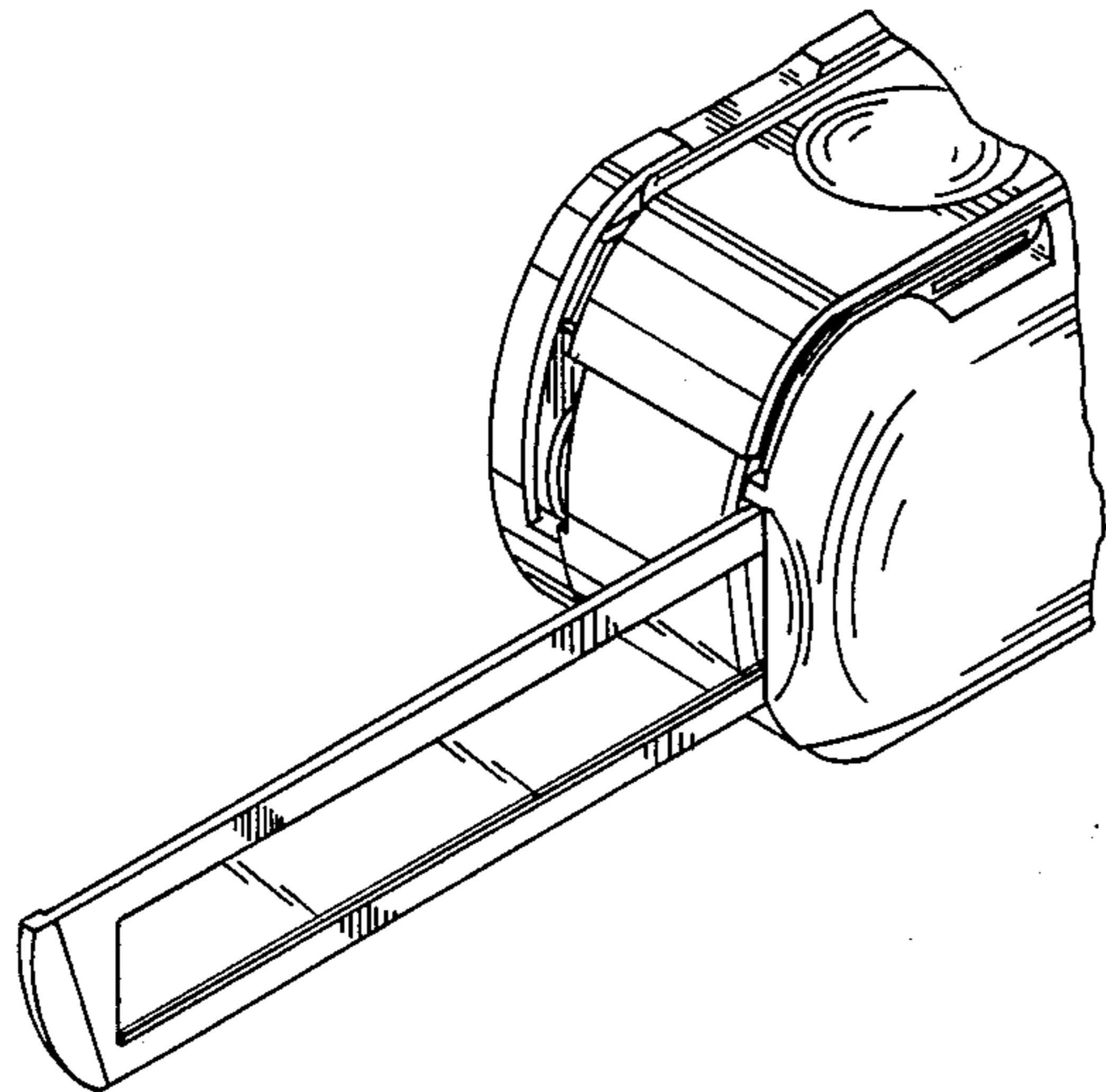
*FIG. 19*



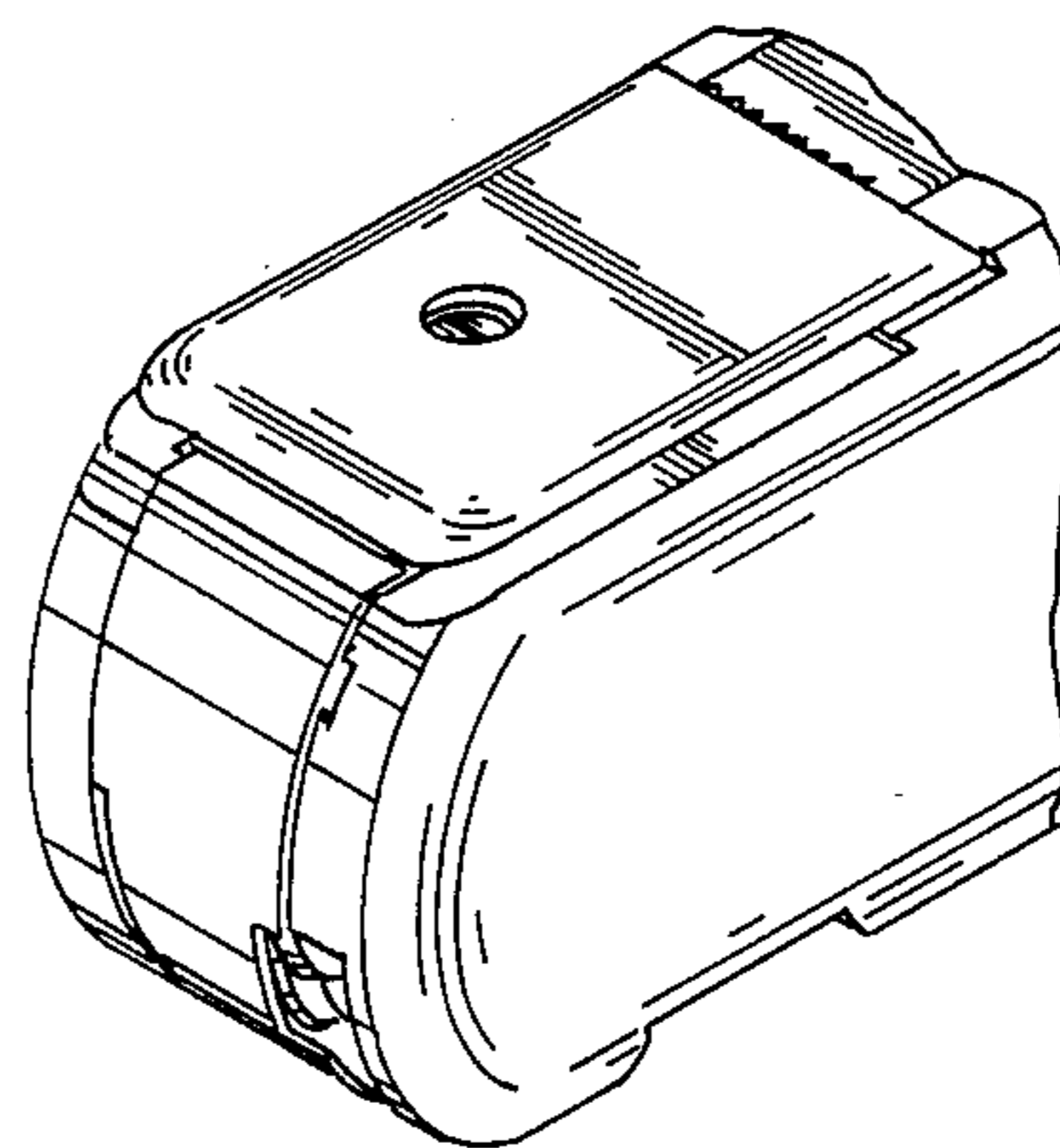
*FIG. 20*

*FIG. 21*





*FIG. 22*



*FIG. 23*