

[54] **DIAMOND POLISHING PLATFORM**

[76] **Inventor: Efraim Goren, 93-02 68th Ave., Forest Hills, N.Y. 11375**

[**] **Term: 14 Years**

[21] **Appl. No.: 826,234**

[22] **Filed: Feb. 5, 1986**

[52] **U.S. Cl. D8/71**

[58] **Field of Search D8/71, 72; 51/229; 269/104**

[56] **References Cited**

U.S. PATENT DOCUMENTS

.698,521	4/1902	Kneip	51/229
2,383,619	8/1945	Rosner	51/229
2,796,708	6/1957	Angiolino et al.	51/229
3,948,006	4/1976	Waldman	51/229

FOREIGN PATENT DOCUMENTS

511982 1/1921 France 51/229

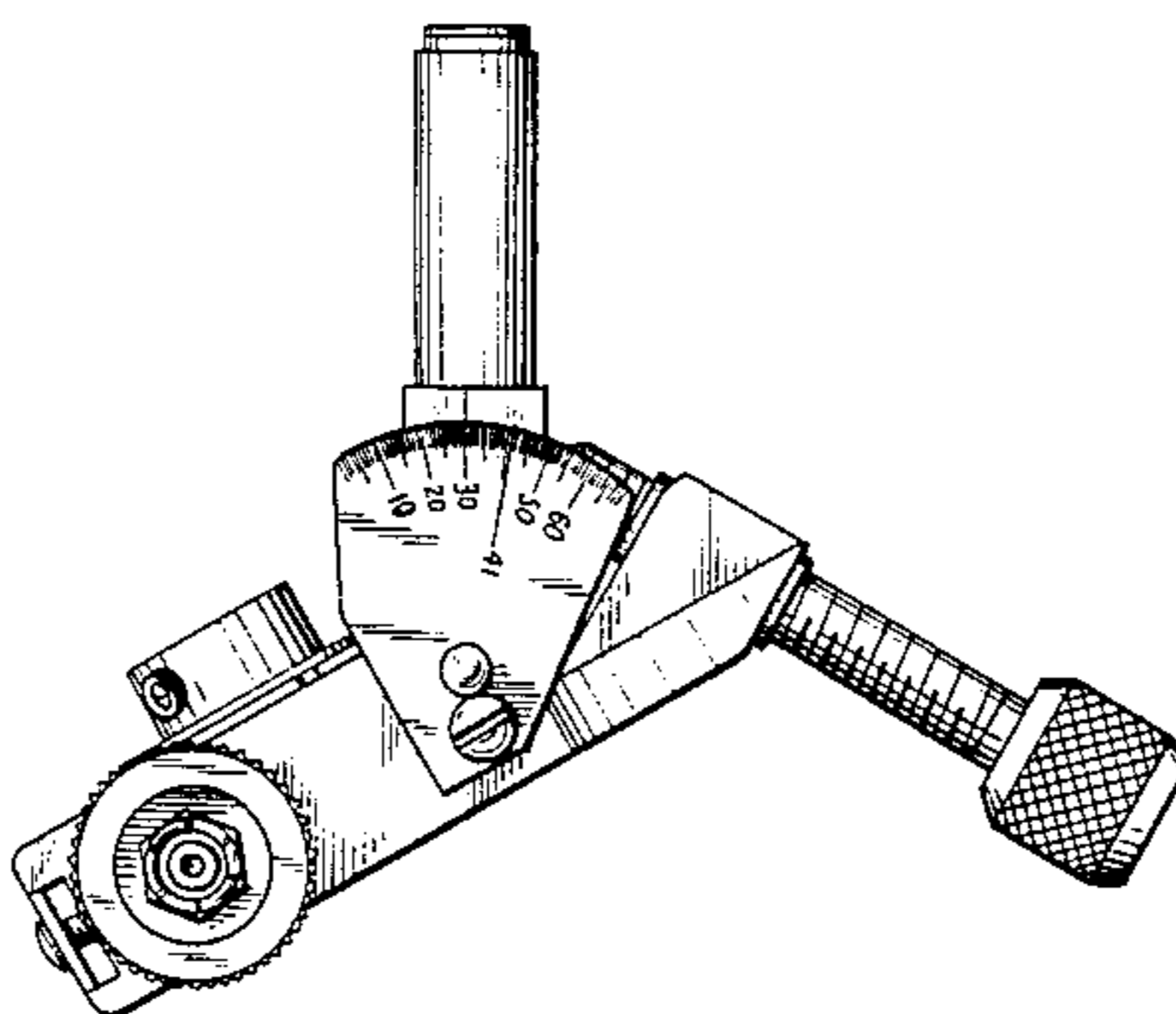
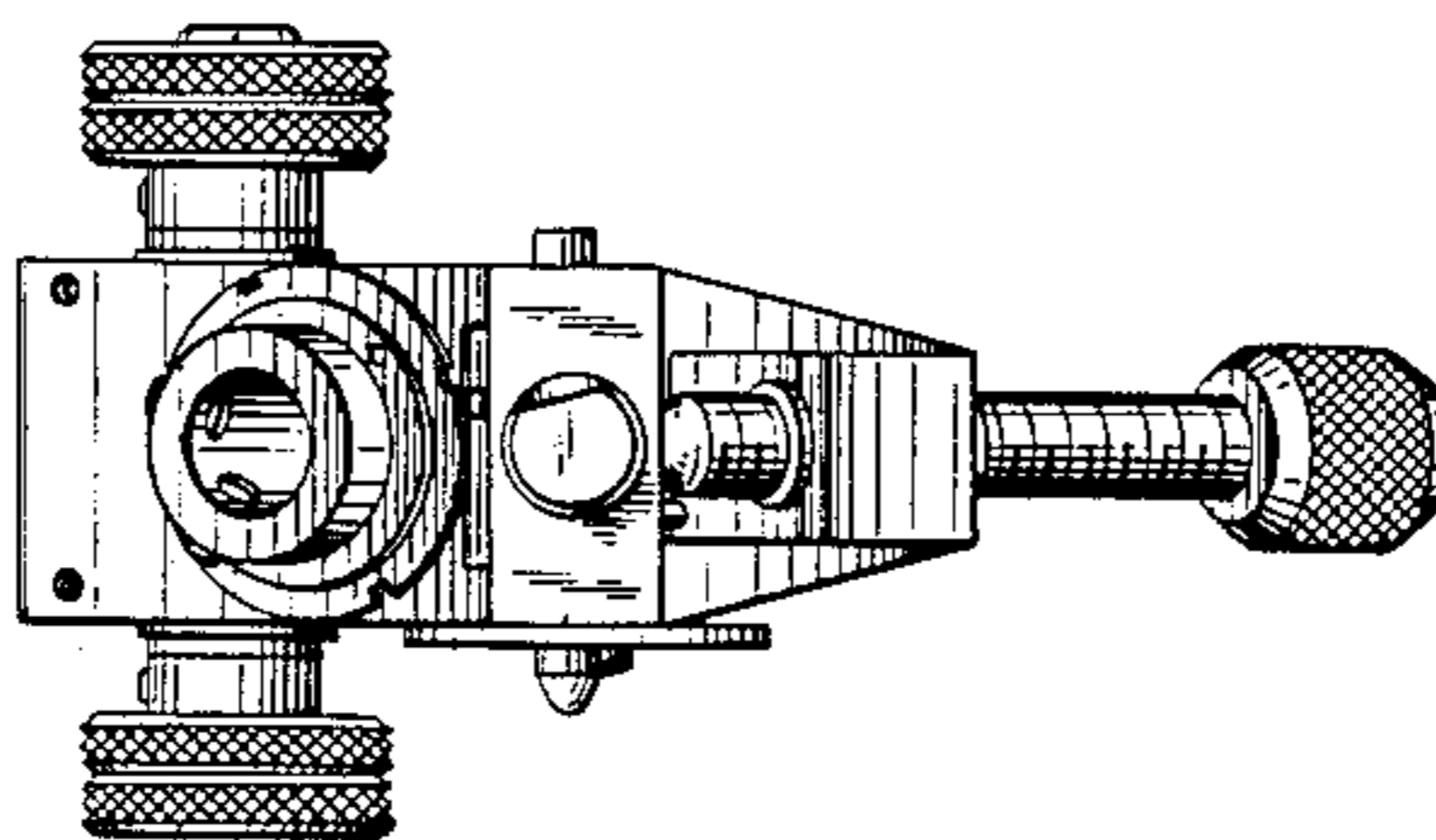
Primary Examiner—Bruce W. Dunkins
Assistant Examiner—Clare E. Heflin
Attorney, Agent, or Firm—Goodman & Teitelbaum

[57] **CLAIM**

The ornamental design for a diamond polishing platform, as shown.

DESCRIPTION

FIG. 1 is a top plan view of a diamond polishing platform, showing my new design;
FIG. 2 is a front elevational view thereof;
FIG. 3 is a right side elevational view thereof;
FIG. 4 is a left side elevational view thereof;
FIG. 5 is a rear elevational view thereof; and
FIG. 6 is a bottom plan view thereof.



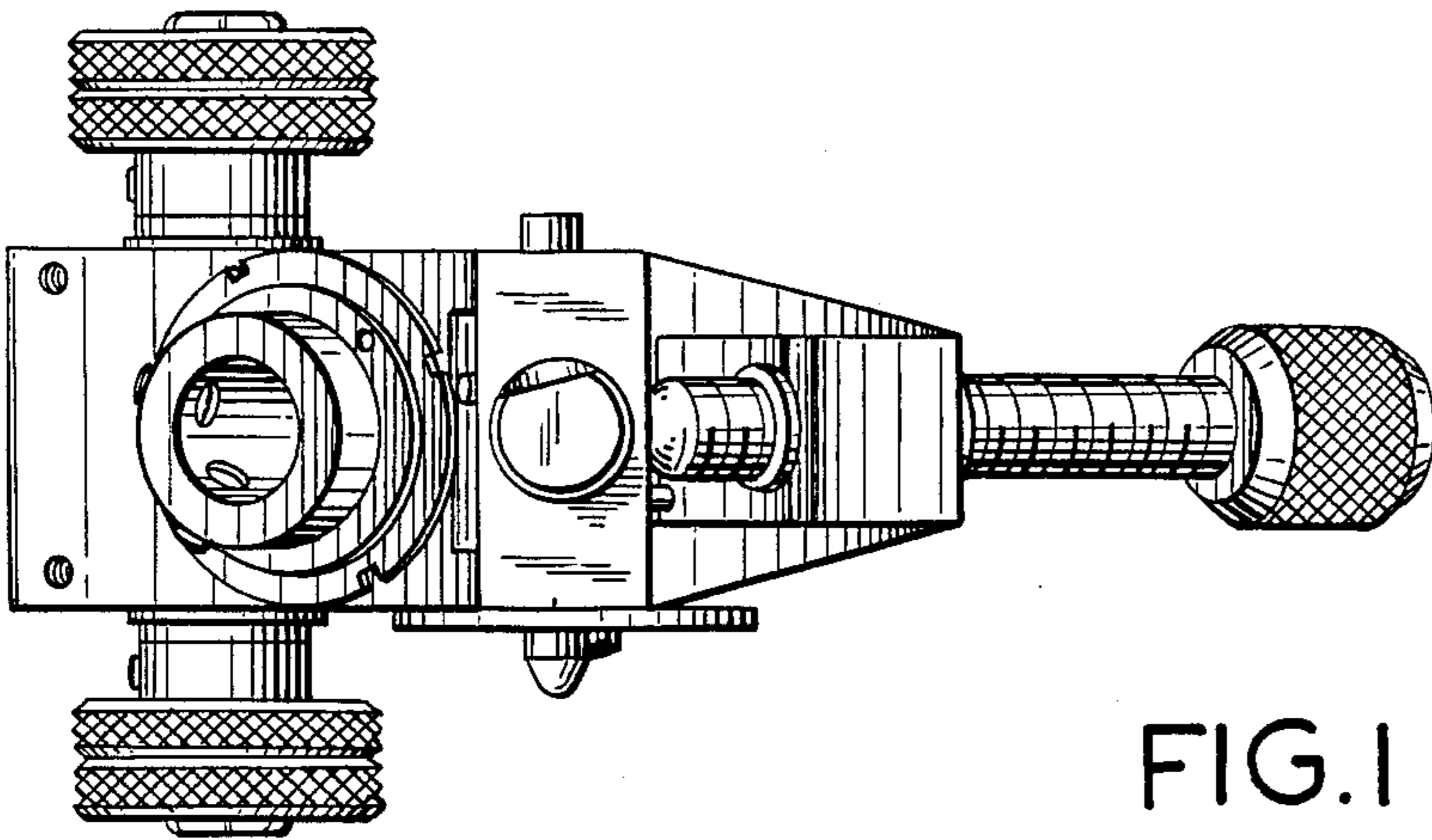


FIG. 1

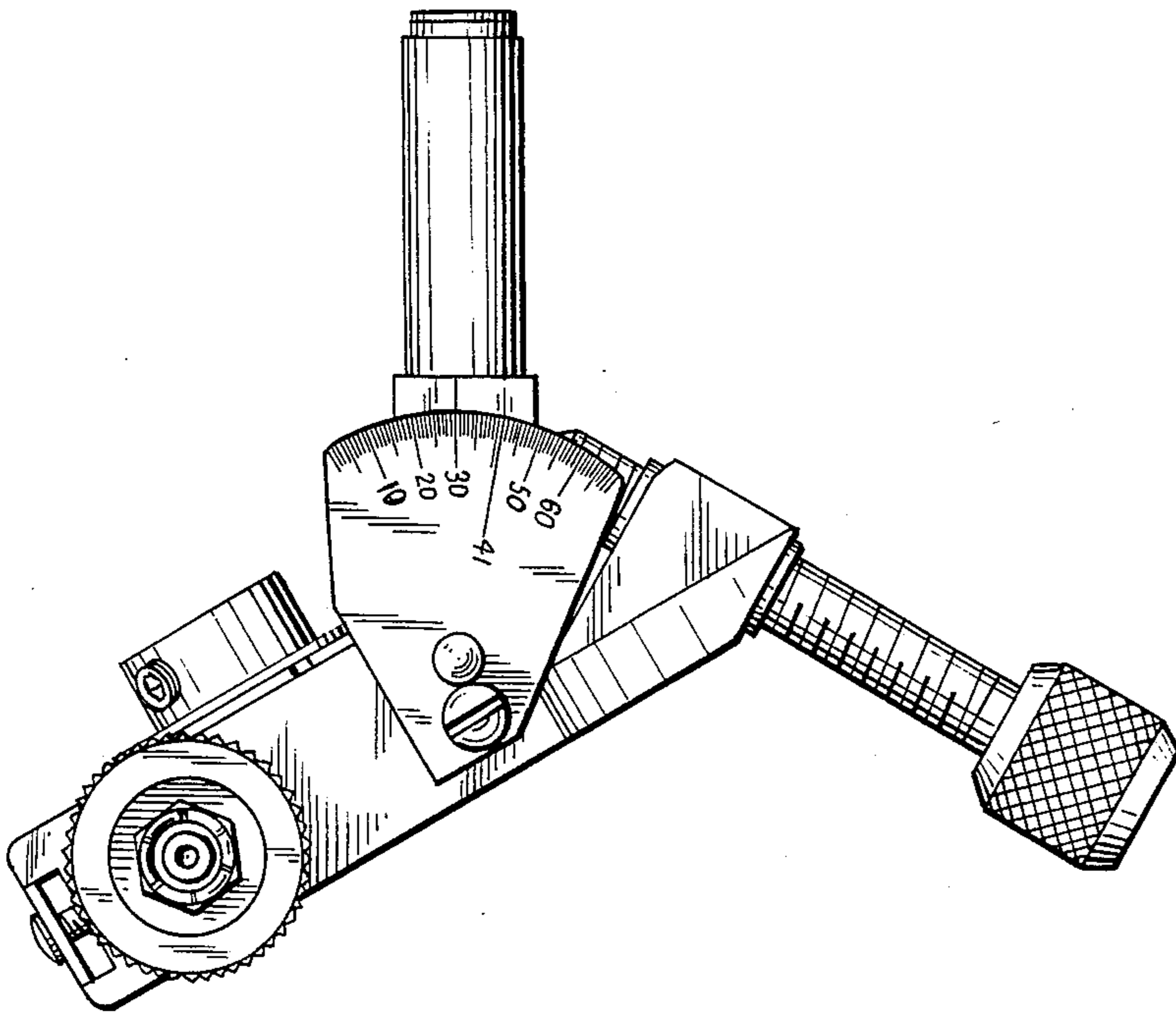


FIG. 2

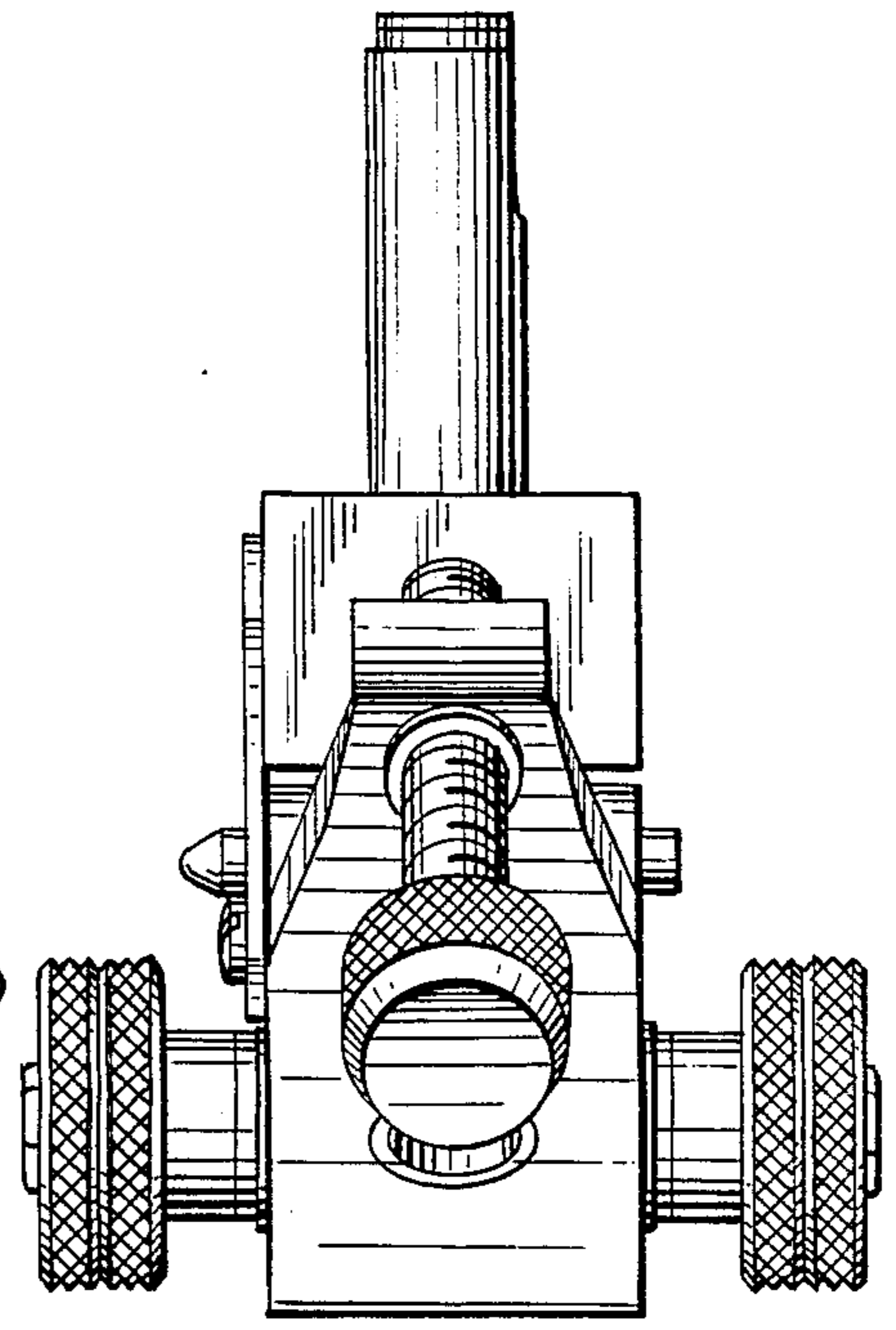


FIG. 3

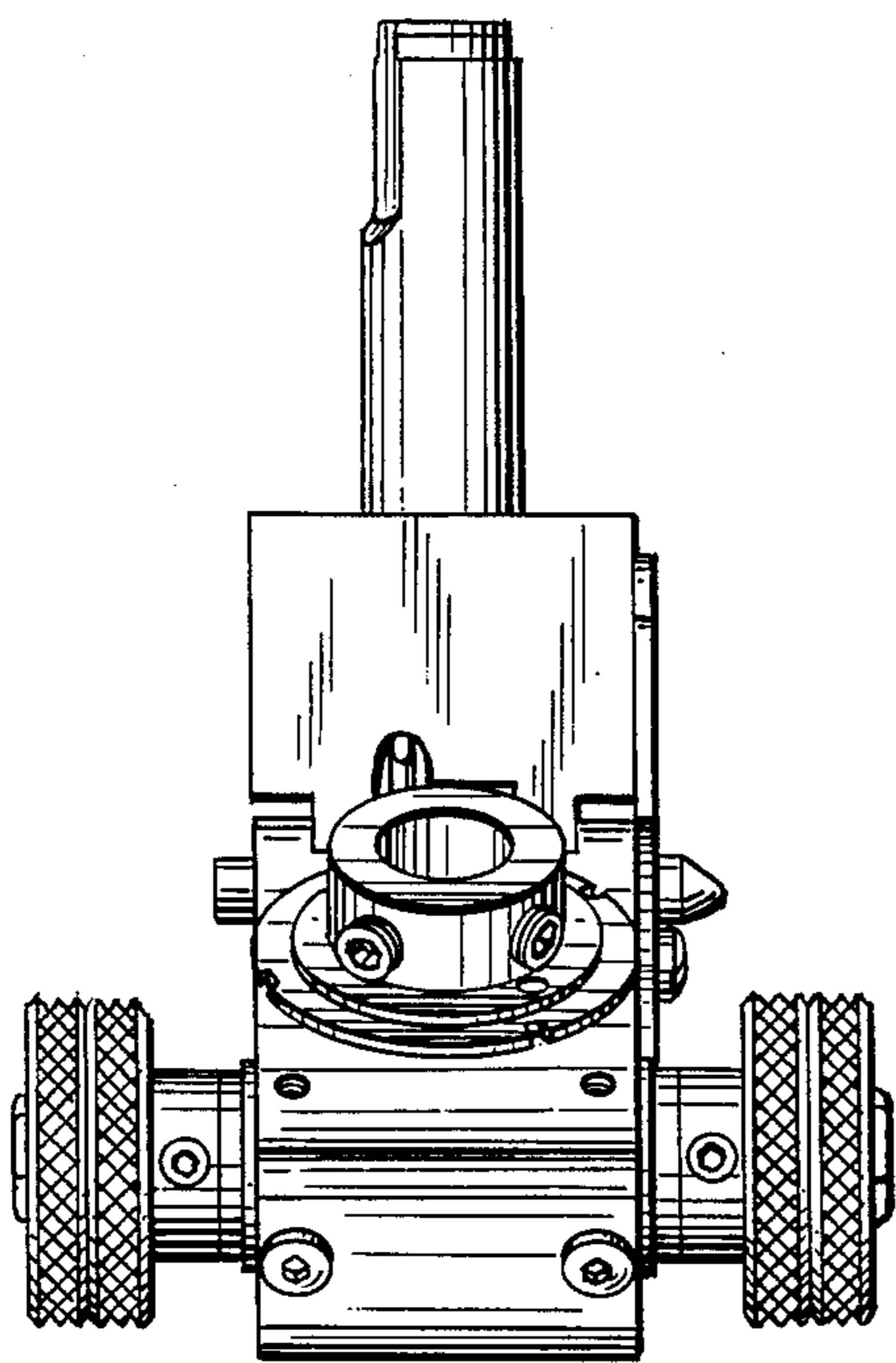


FIG. 4

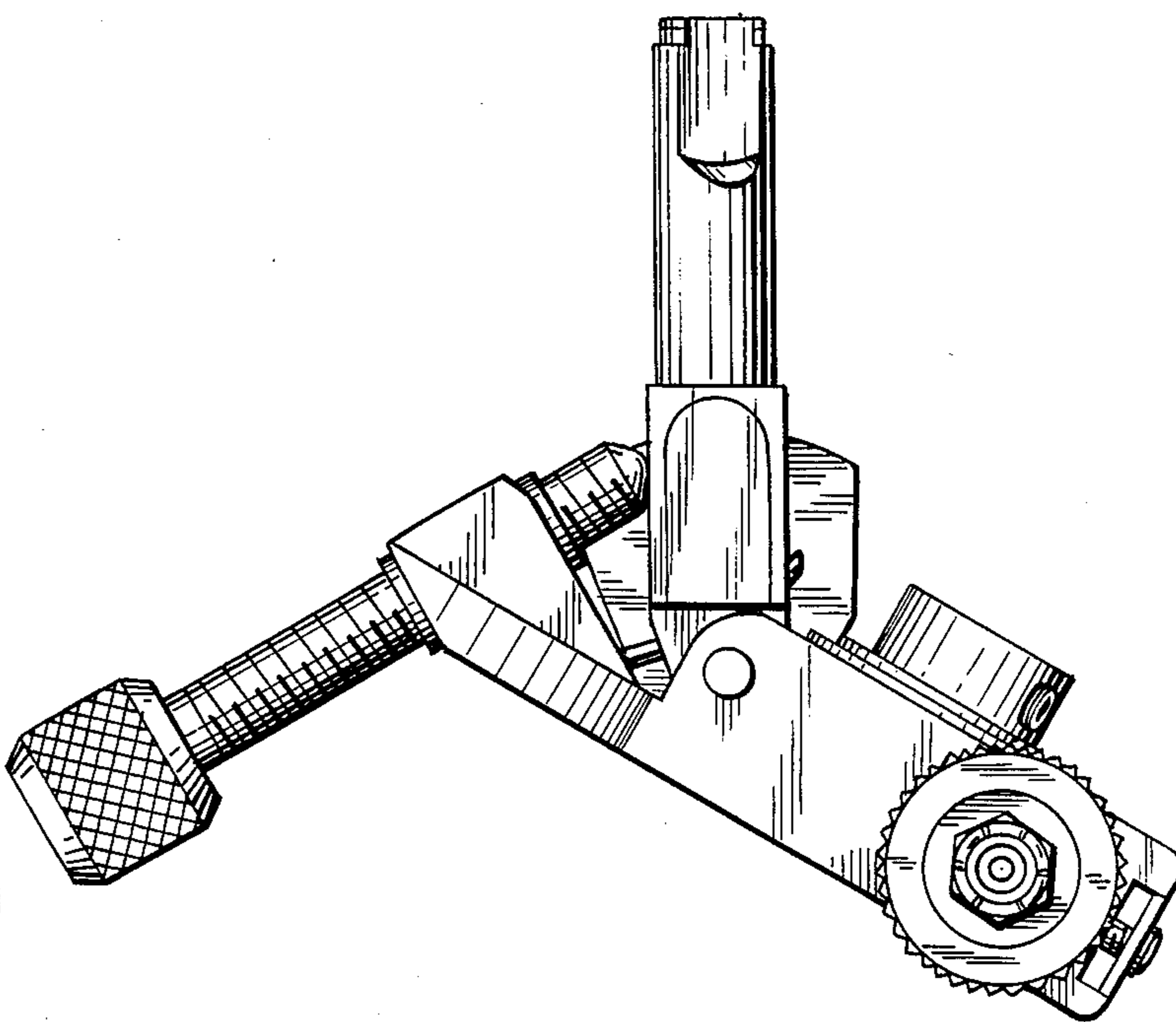


FIG. 5

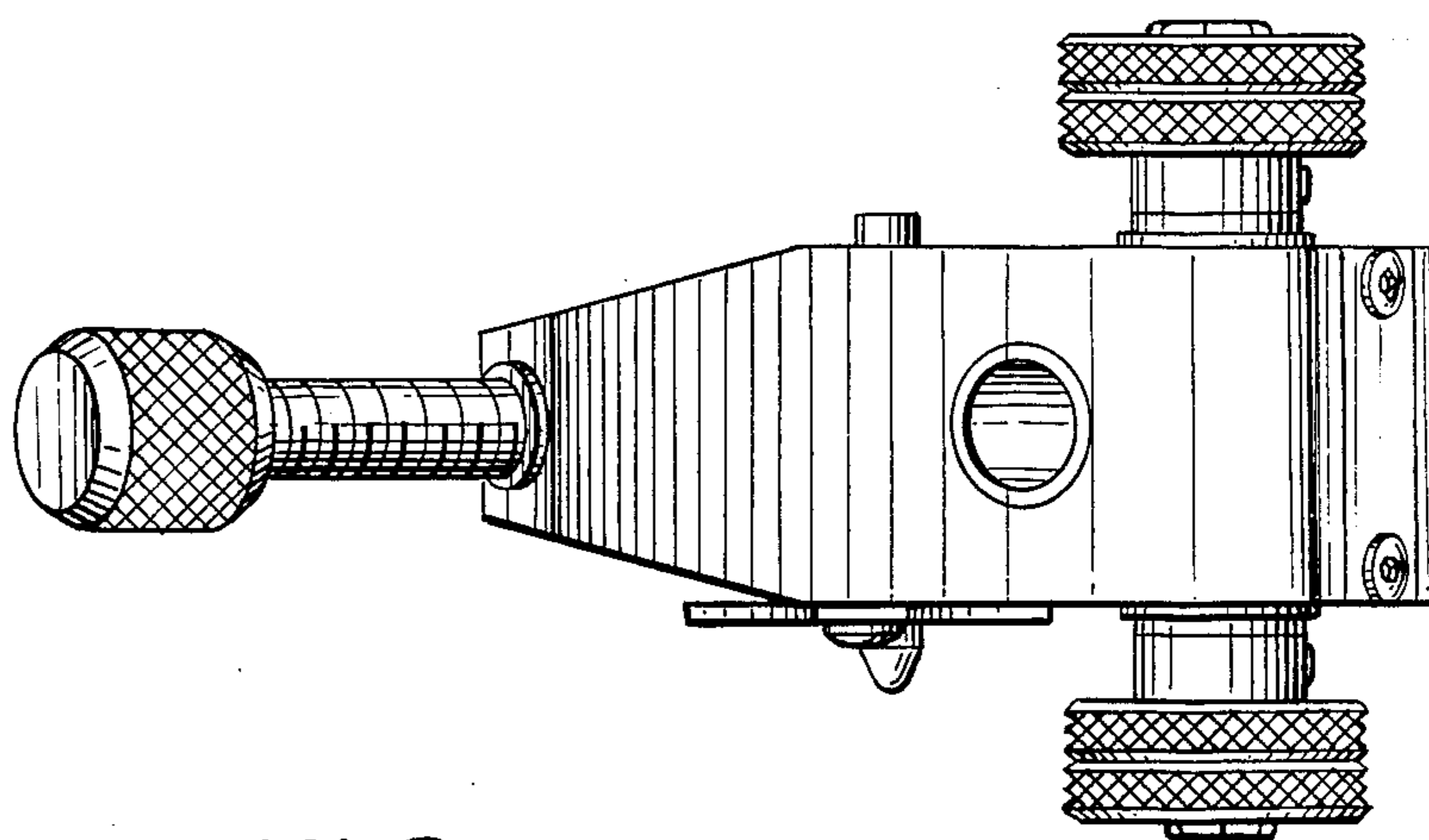


FIG. 6