

[54] ADJUSTABLE RACK FOR HOLDING A WOK IN A BARBEQUE GRILL

[76] Inventor: Pat R. Anderson, 2650 N.E. 24th St., Pompano Beach, Fla. 33064

[\*\*] Term: 14 Years

[21] Appl. No.: 118,518

[22] Filed: Nov. 6, 1987

[52] U.S. Cl. .... D7/402

[58] Field of Search ..... D7/402, 409; D6/566, D6/462; 211/106, 134, 175, 181; 126/25 A, 25 AA, 25 R, 25 B, 29-30, 9 R, 9 B, 37 R-38, 41 R, 337 R, 337 A, 339

[56] References Cited

U.S. PATENT DOCUMENTS

- D. 219,320 11/1970 Glaser et al. .... D7/409
- 2,914,283 11/1959 Jorgensen ..... D7/336
- 4,432,334 2/1984 Holt ..... 126/25 R

OTHER PUBLICATIONS

Modern Home Products, Gnd-Grate-A. P. Raek Identification & Dimensions, 1/1/83. "Exhibit 1a".

Primary Examiner—Bruce W. Dunkins

Assistant Examiner—Ruth Takemoto

[57] CLAIM

The ornamental design for adjustable rack for holding a wok in a barbeque grill, as shown and described.

DESCRIPTION

FIG. 1 is a front elevational view of an adjustable rack for holding a wok in a barbeque grill showing my new design;

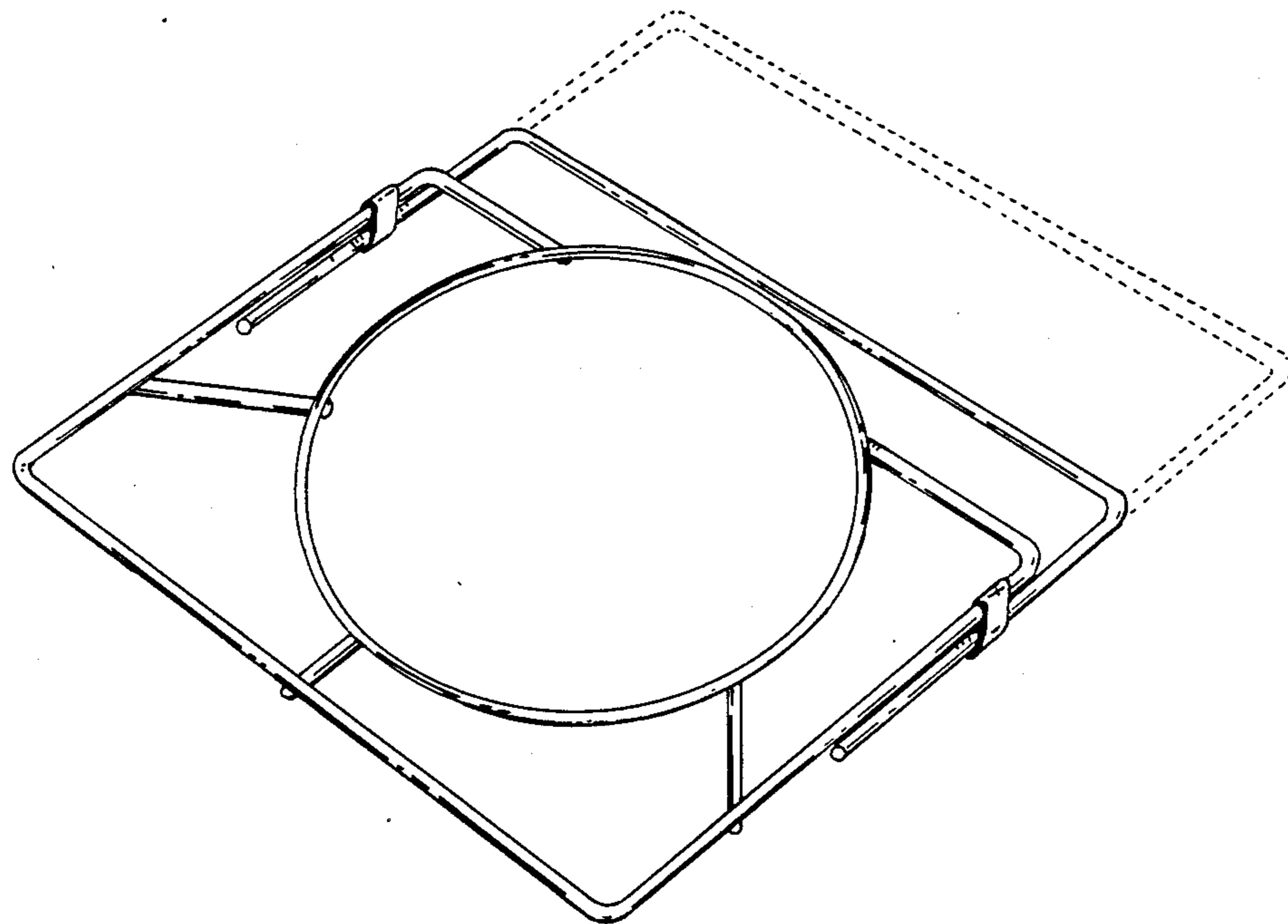
FIG. 2 is a top plan view thereof;

FIG. 3 is a left side elevational view thereof, the right side being a mirror image;

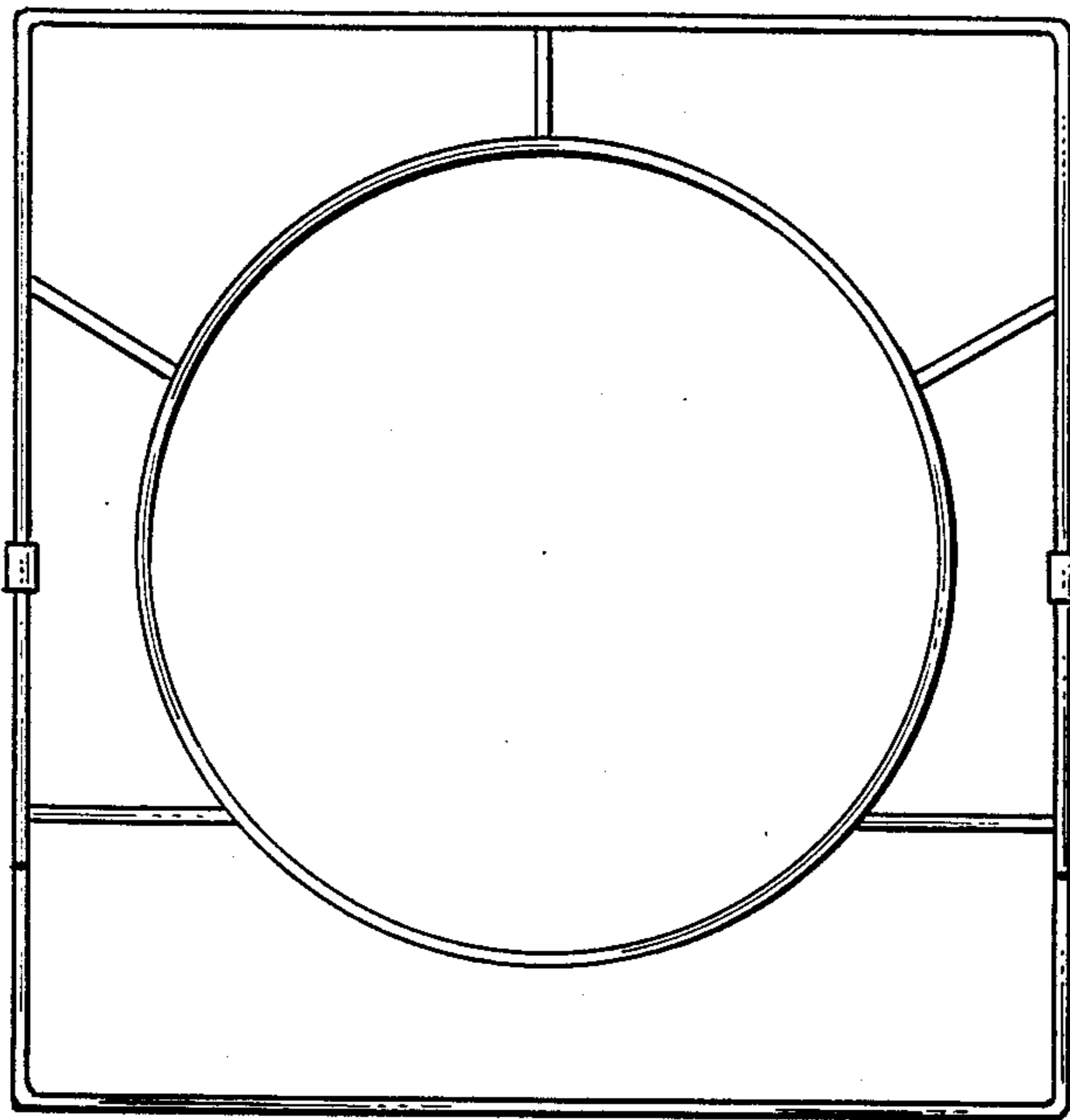
FIG. 4 is a rear elevational view thereof;

FIG. 5 is a bottom plan view thereof; and

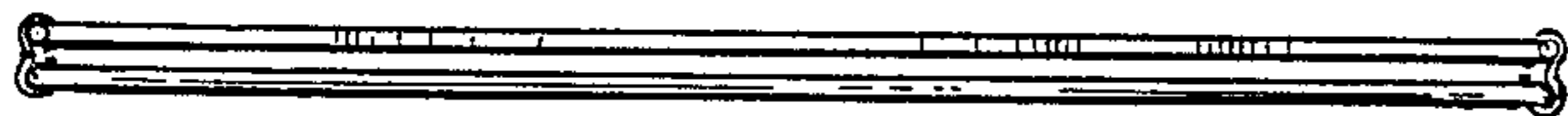
FIG. 6 is a perspective view thereof, the broken lines indicate the extension of the rack and form no part of the claimed design.



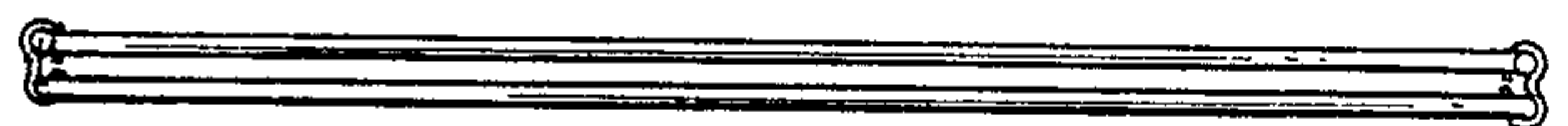
*Fig. 1.*



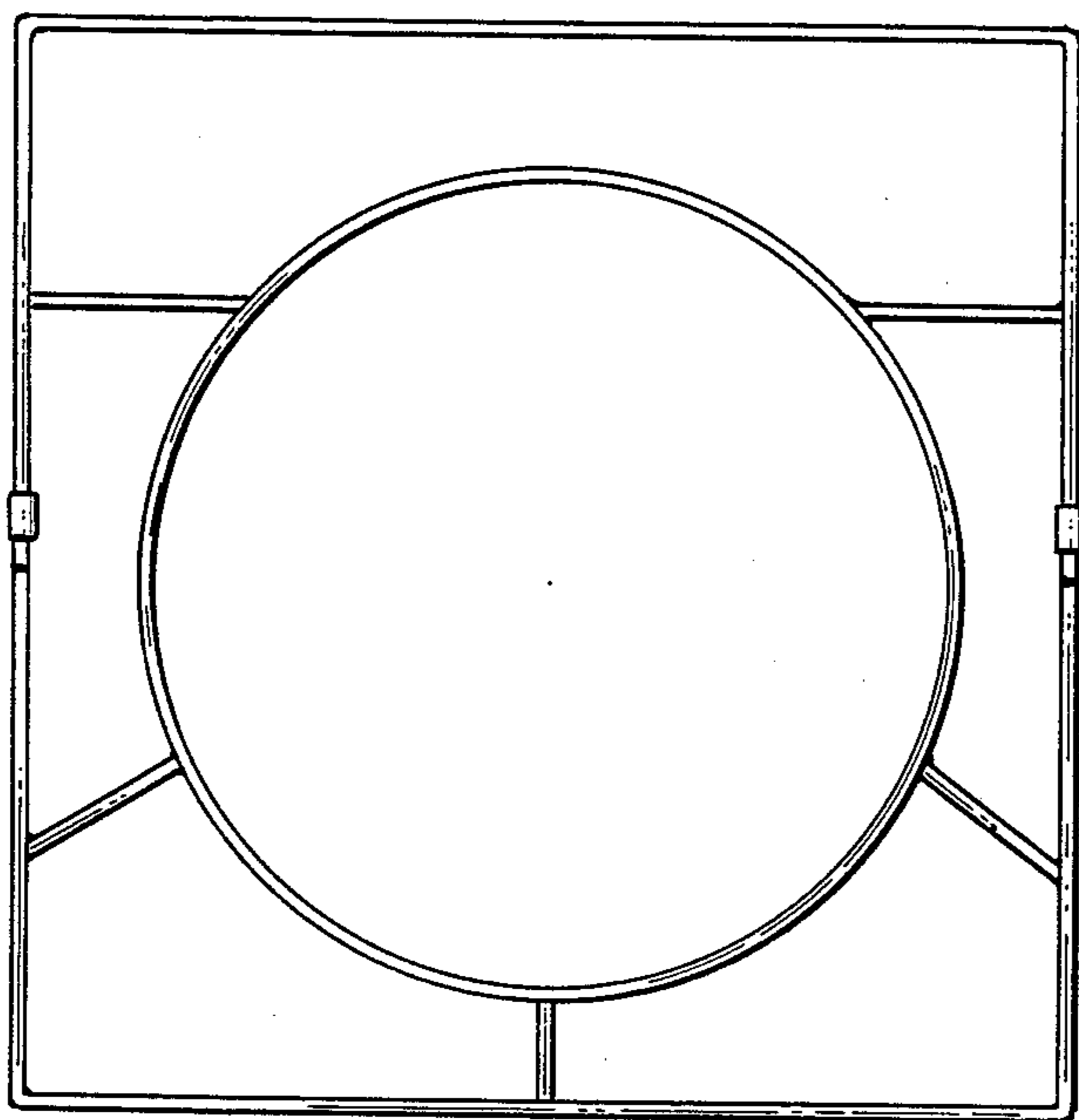
*Fig. 3.*



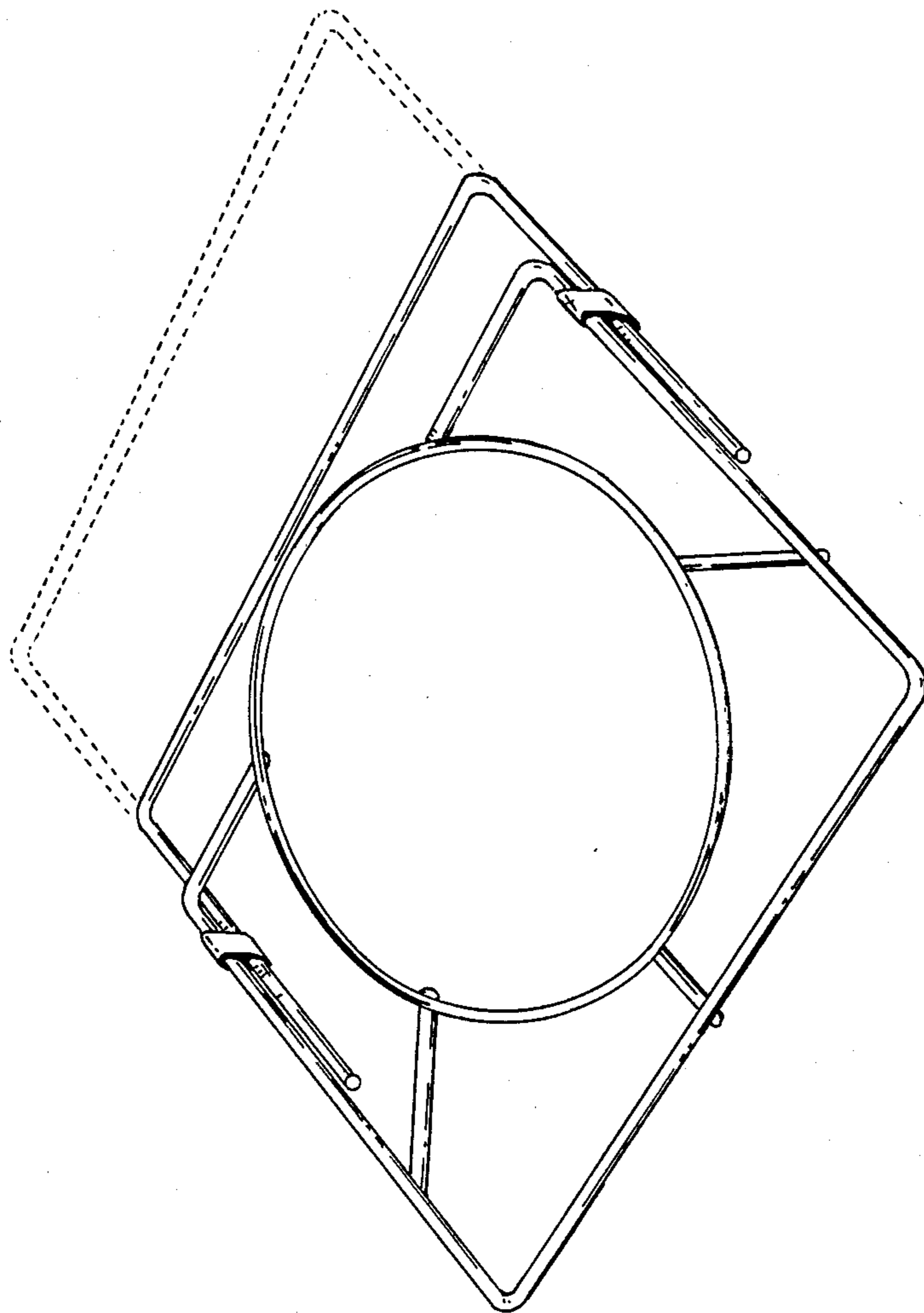
*Fig. 2.*



*Fig. 5.*



*Fig. 4.*



*Fig. 6.*