

# United States Patent [19]

Nishikawa

[11] Patent Number: **Des. 302,095**

[45] Date of Patent: **\*\* Jul. 11, 1989**

[54] **HOT AIR ELECTRIC OVEN**

[75] Inventor: **Hideo Nishikawa, Osaka, Japan**

[73] Assignee: **Imanishi Kinzoku Kogyo Kabushiki Kaisha, Osaka, Japan**

[\*\*] Term: **14 Years**

[21] Appl. No.: **901,451**

[22] Filed: **Aug. 28, 1986**

[52] U.S. Cl. .... **D7/350**

[58] Field of Search ..... **D7/323, 331-332, D7/347-348, 360-361, 337, 355, 365-366, 402-403, 409; 99/447, 341; 126/14, 41 R**

[56] **References Cited**

### U.S. PATENT DOCUMENTS

D. 227,277 11/1973 Ming-Kong ..... D7/337

D. 262,683 1/1982 Assmann ..... D7/348  
D. 293,539 1/1988 Nishikawa ..... D7/337  
D. 293,543 1/1988 Nishikawa ..... D7/360

*Primary Examiner*—Bruce W. Dunkins  
*Assistant Examiner*—Ruth Takemoto

[57] **CLAIM**

The ornamental design for a hot air electric oven, as shown and described.

### DESCRIPTION

FIG. 1 is a top, front and right side perspective view of a hot air electric oven showing my new design; FIG. 2 is a front elevational view thereof; FIG. 3 is a rear elevational view thereof; FIG. 4 is a right side elevational view thereof; FIG. 5 is a top plan view thereof; and FIG. 6 is a bottom plan view thereof;

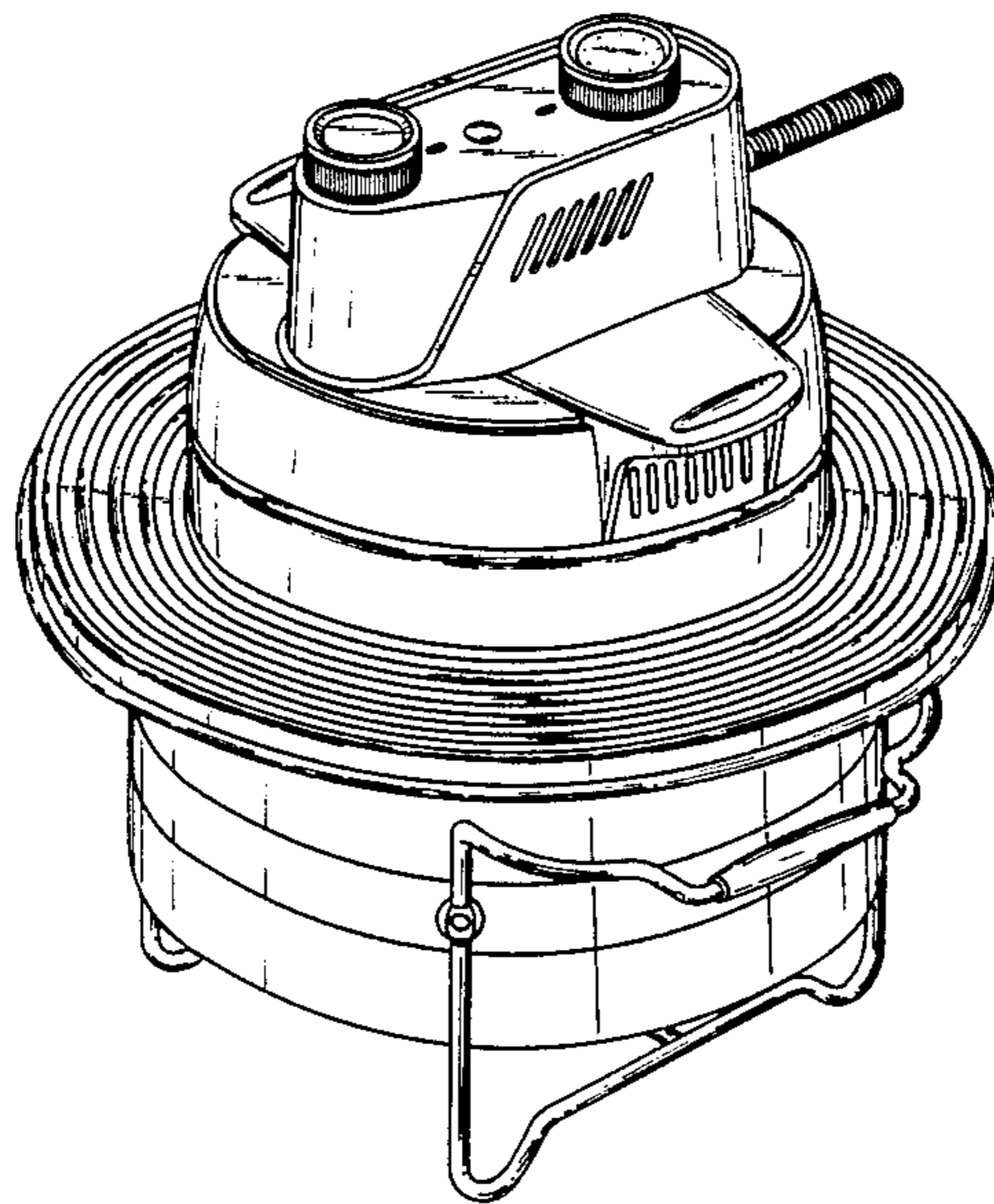


FIG. 1

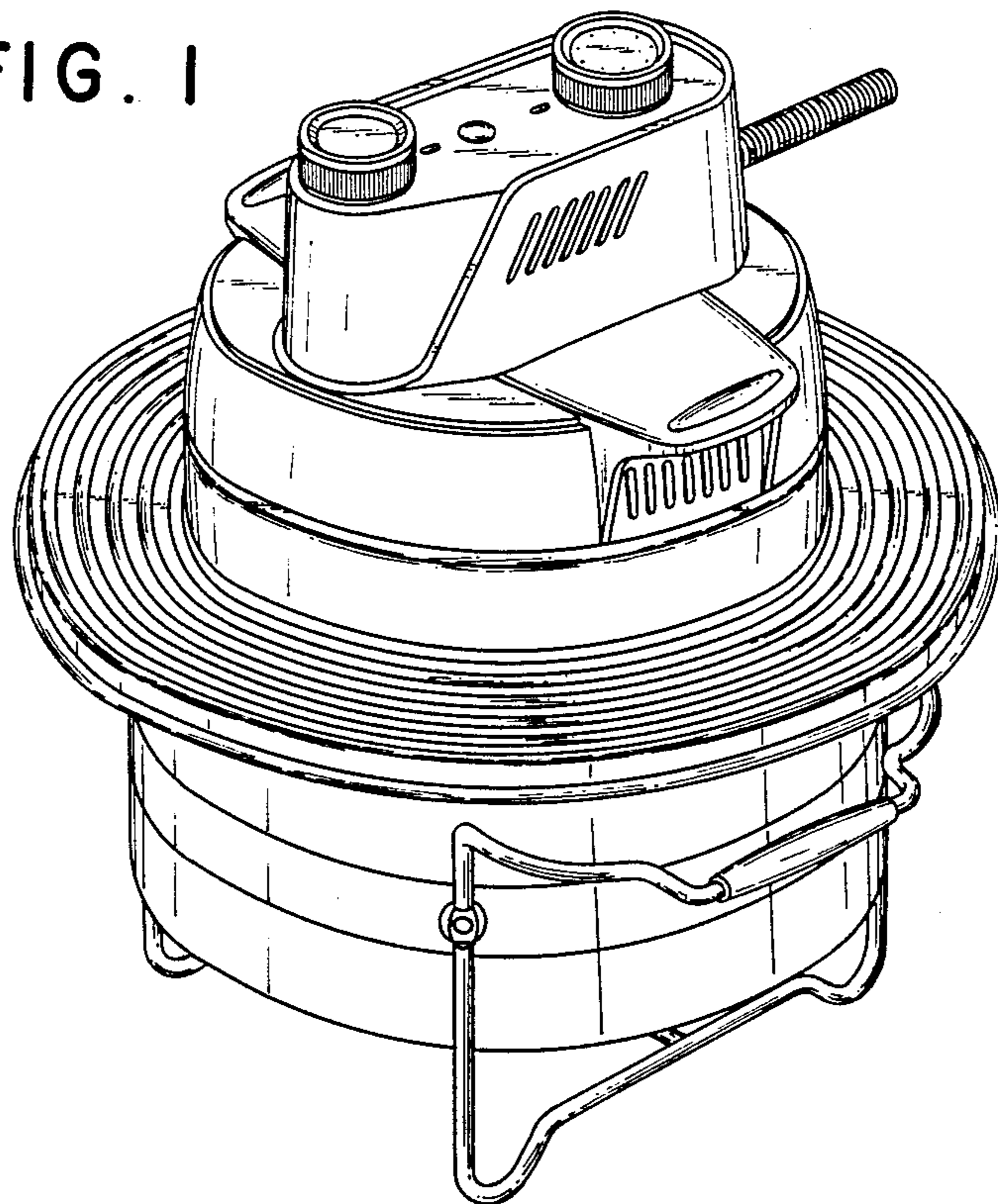


FIG. 2

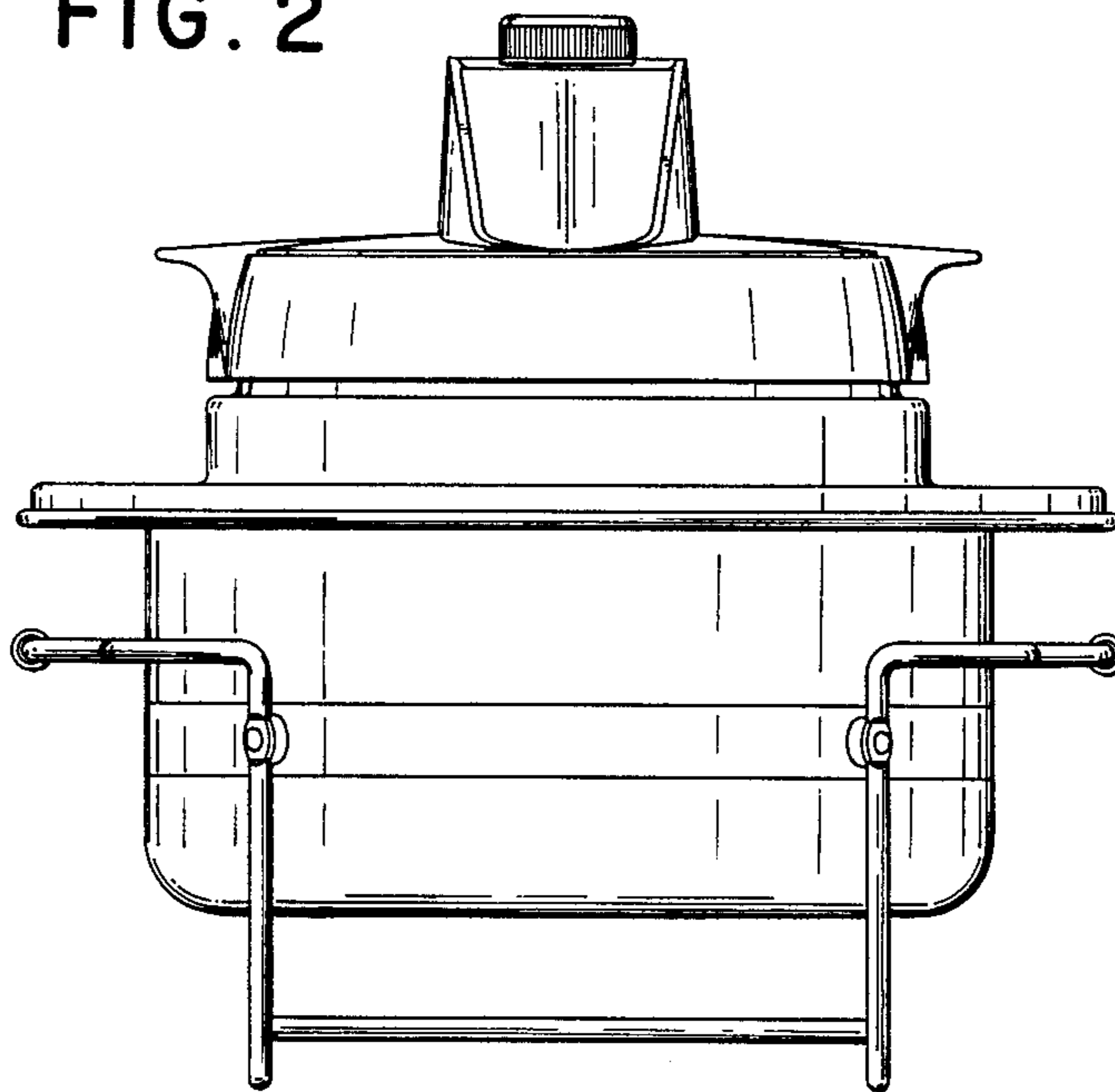


FIG. 3

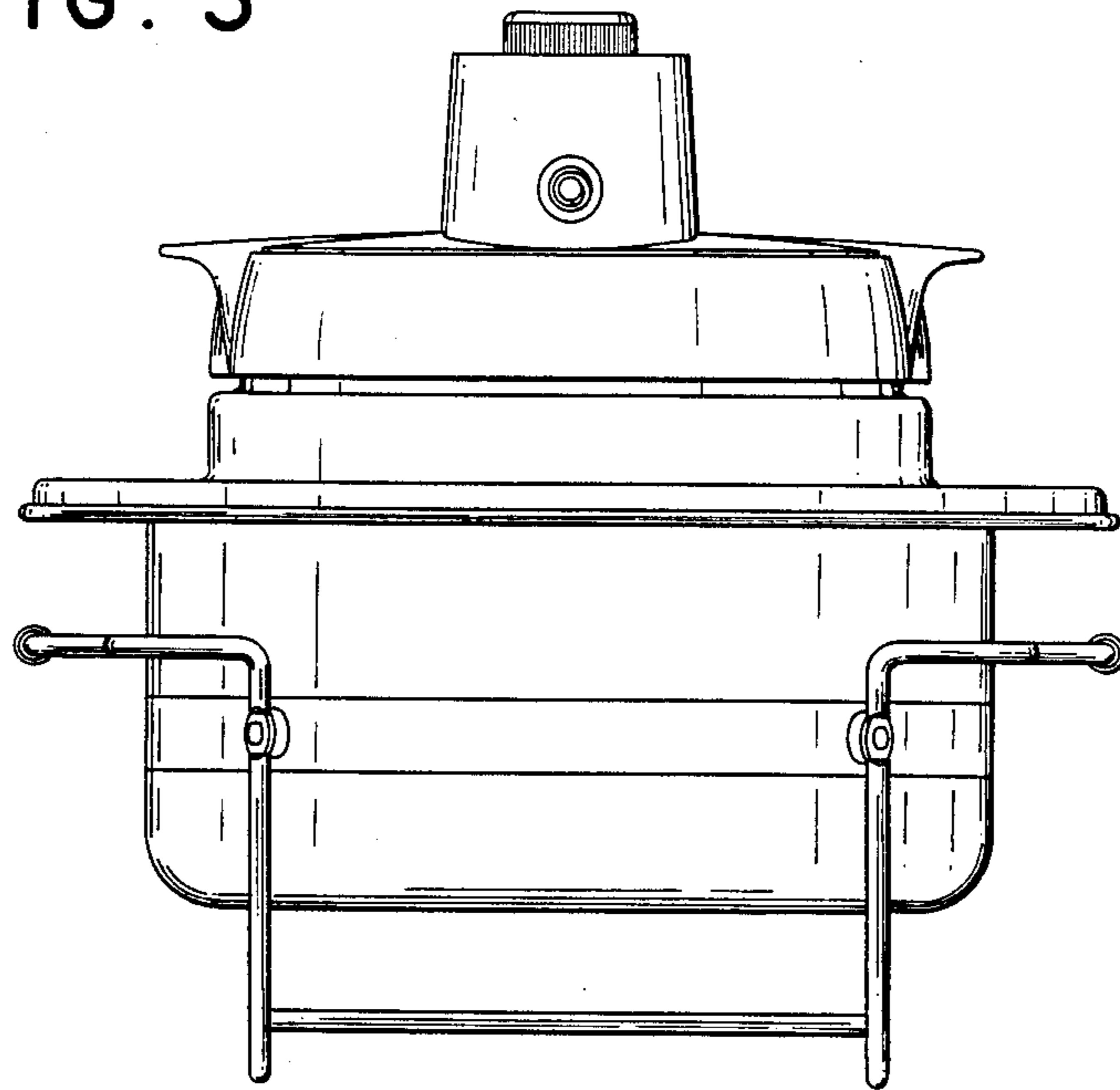


FIG. 4

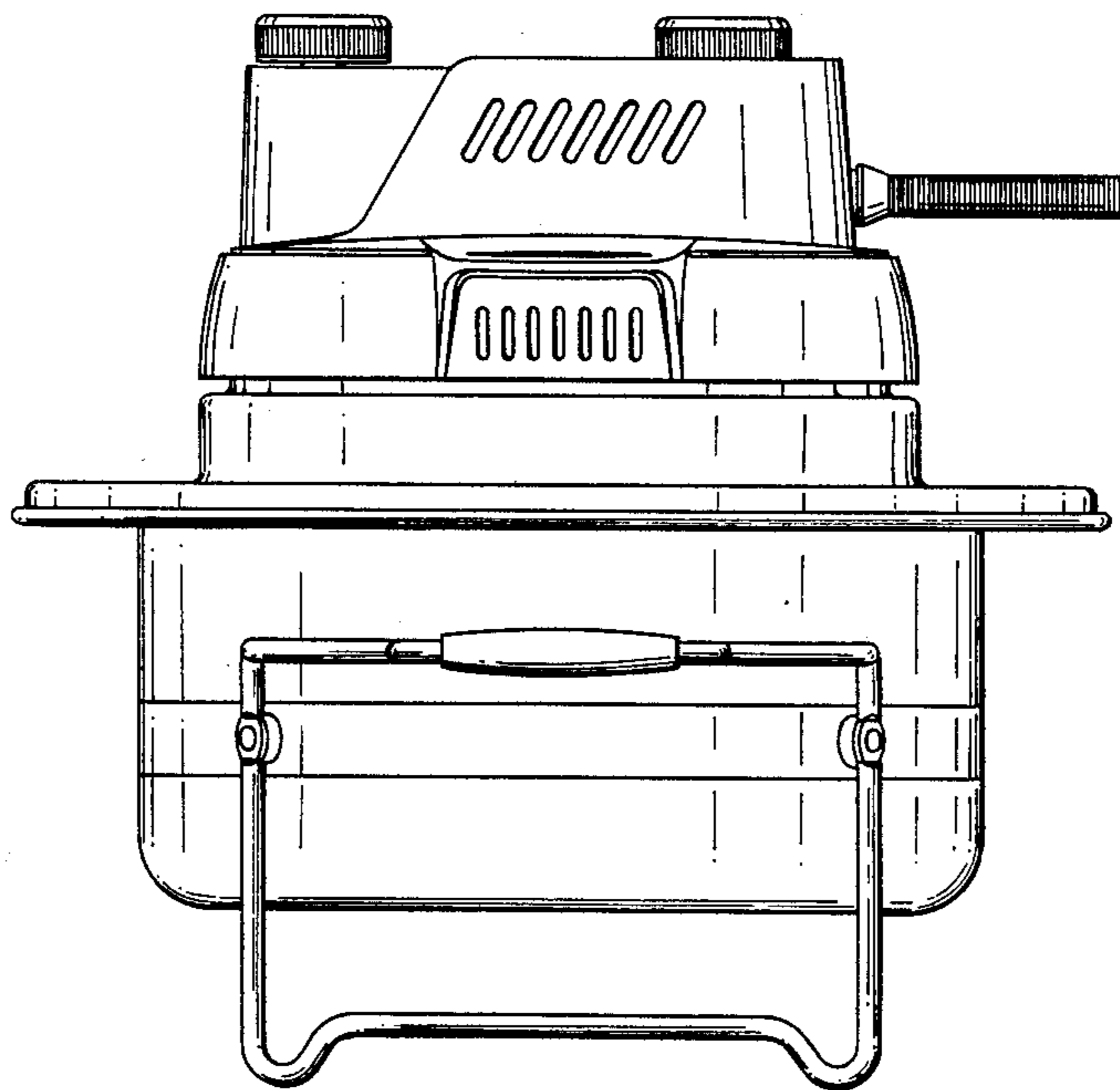




FIG. 5

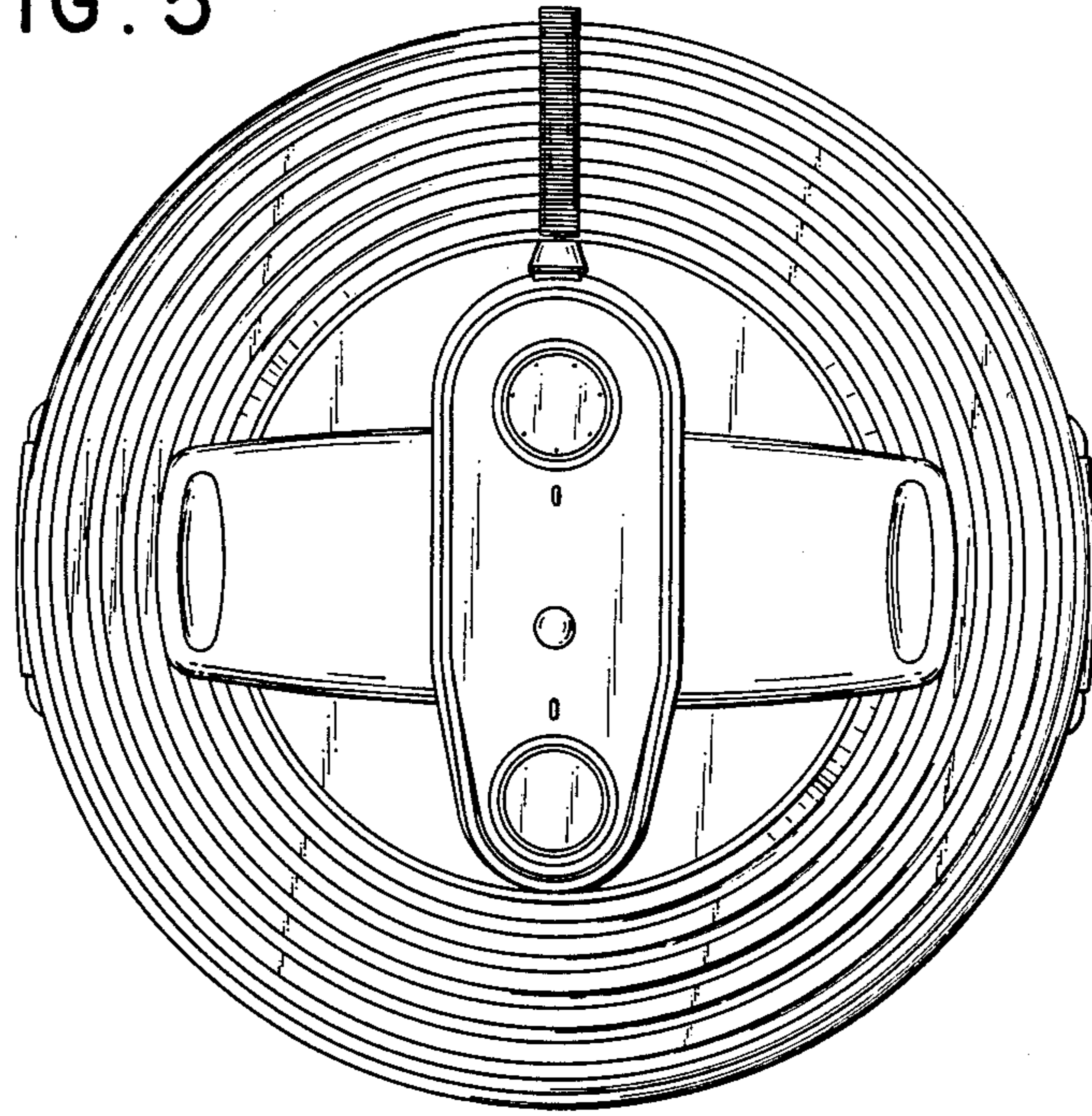


FIG. 6

