

[54] PORTABLE BARBEQUE COOKER

[75] Inventor: James K. Reeves, Rte. 2 Box 45, Wickliffe, Ky. 42087

[73] Assignees: James K. Reeves; Phyllis L. Malone, both of Wickliffe, Ky.; William H. Lefkowitz; Ruth A. Lefkowitz, both of Fort Lauderdale, Fla.

[\*\*] Term: 14 Years

[21] Appl. No.: 81,276

[22] Filed: Aug. 3, 1987

[52] U.S. Cl. .... D7/334

[58] Field of Search ..... D7/331-332, D7/334, 347-348; 126/25 R, 25 A, 25 AA, 25 B, 27, 29-30, 37 R, 38, 41 R, 9 R, 9 B, 275 R, 276; D21/129

[56] References Cited

U.S. PATENT DOCUMENTS

D. 204,579 4/1966 Weatherly ..... D7/334

D. 260,069 8/1981 Birmingham ..... D7/335  
D. 282,519 1/1986 Sustana ..... D7/334  
D. 285,279 8/1986 Arevalo et al. .... D7/334  
D. 292,547 11/1987 Bayer ..... D7/332

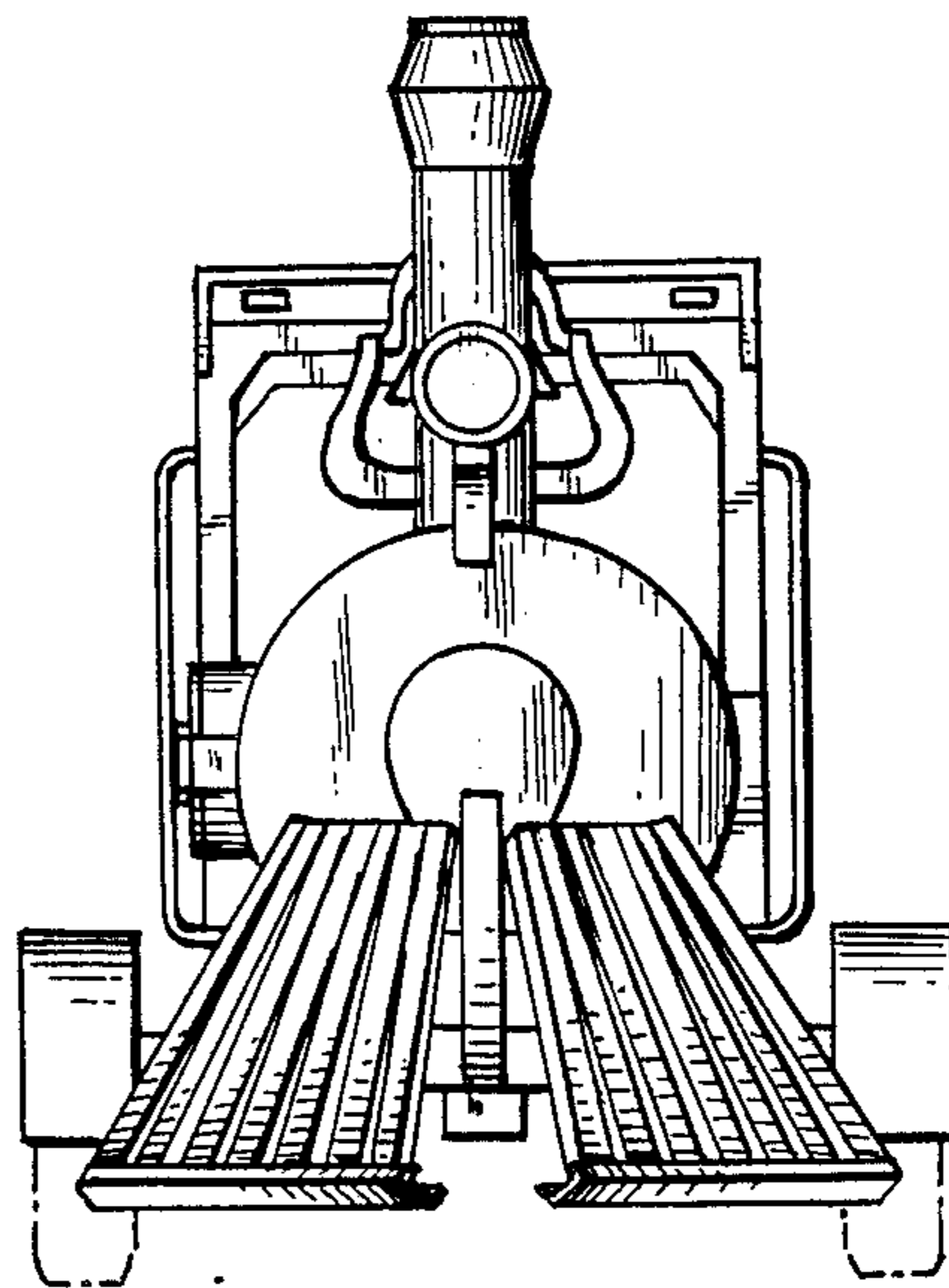
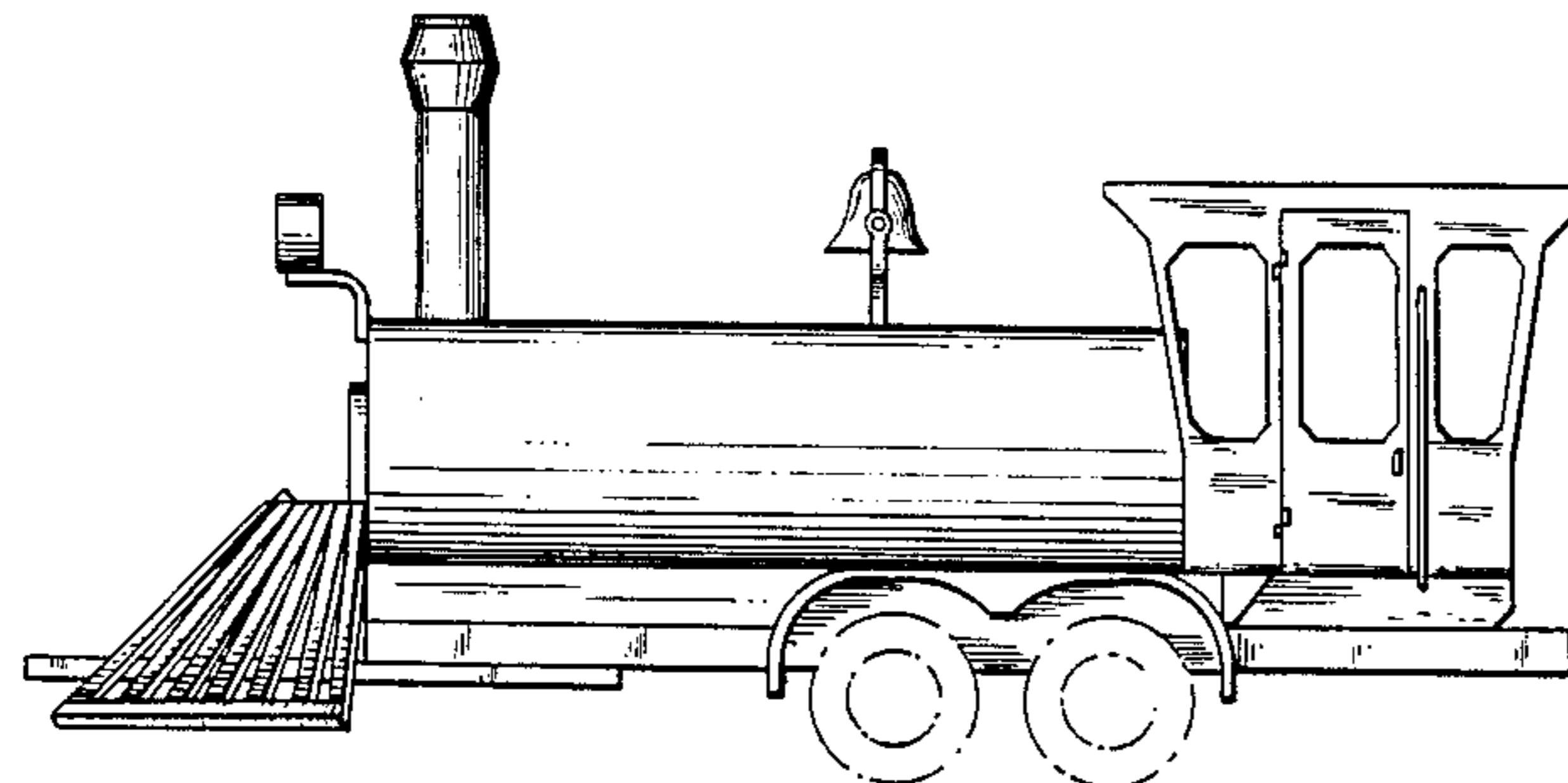
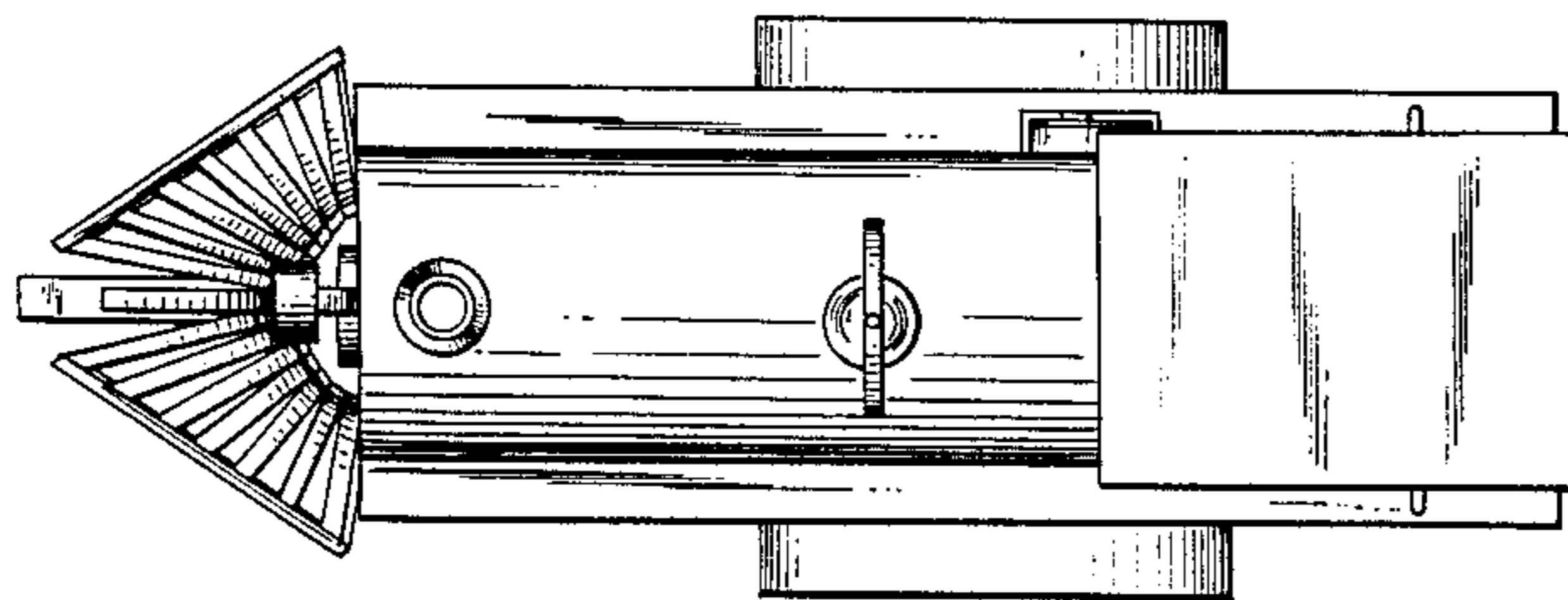
Primary Examiner—Bruce W. Dunkins  
Assistant Examiner—Ruth Takemoto  
Attorney, Agent, or Firm—Sprung, Horn, Kramer & Woods

[57] CLAIM

The ornamental design for the portable barbecue cooker, as shown and described.

DESCRIPTION

FIG. 1 is a top plan view of a portable barbecue cooker showing my new design;  
FIG. 2 is a right side elevational view thereof;  
FIG. 3 is a left side elevational view thereof;  
FIG. 4 is a front elevational view thereof;  
FIG. 5 is a rear elevational view thereof.  
The wheels shown in FIGS. 2 to 6 are shown in broken lines for illustrative purposes only and form no part of the claimed design.



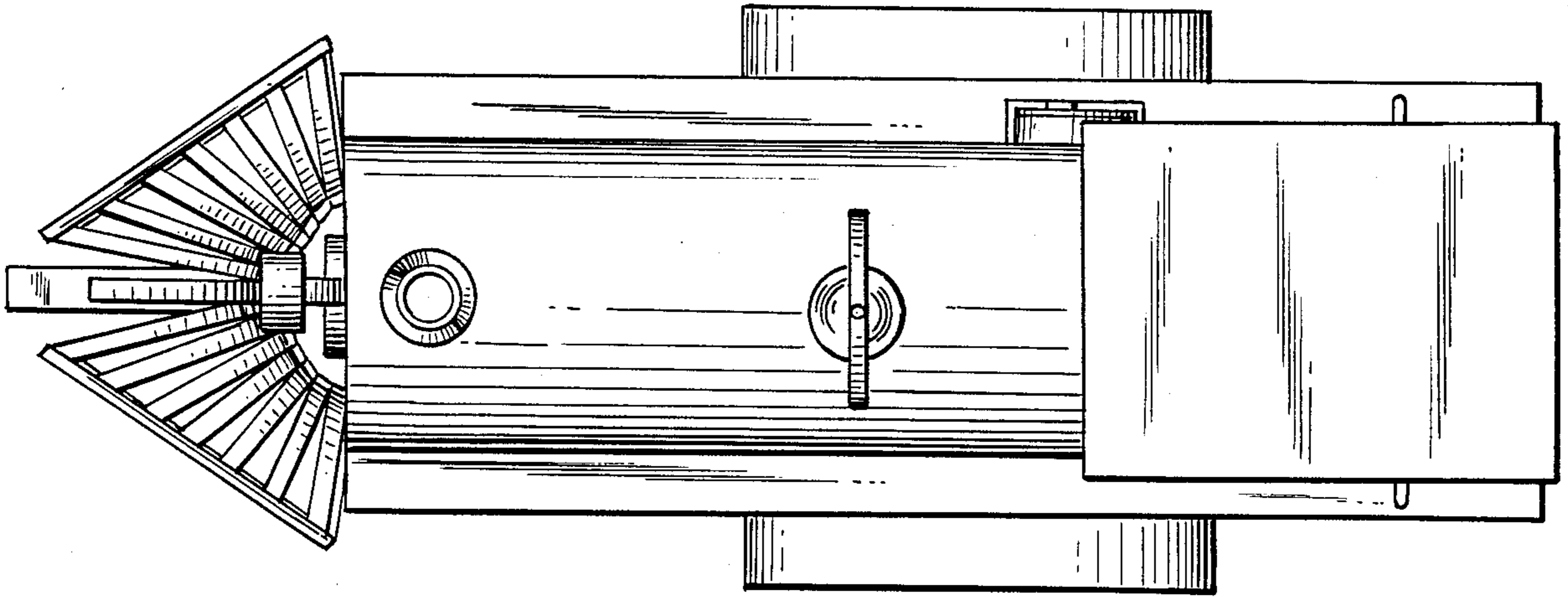


FIG. 1

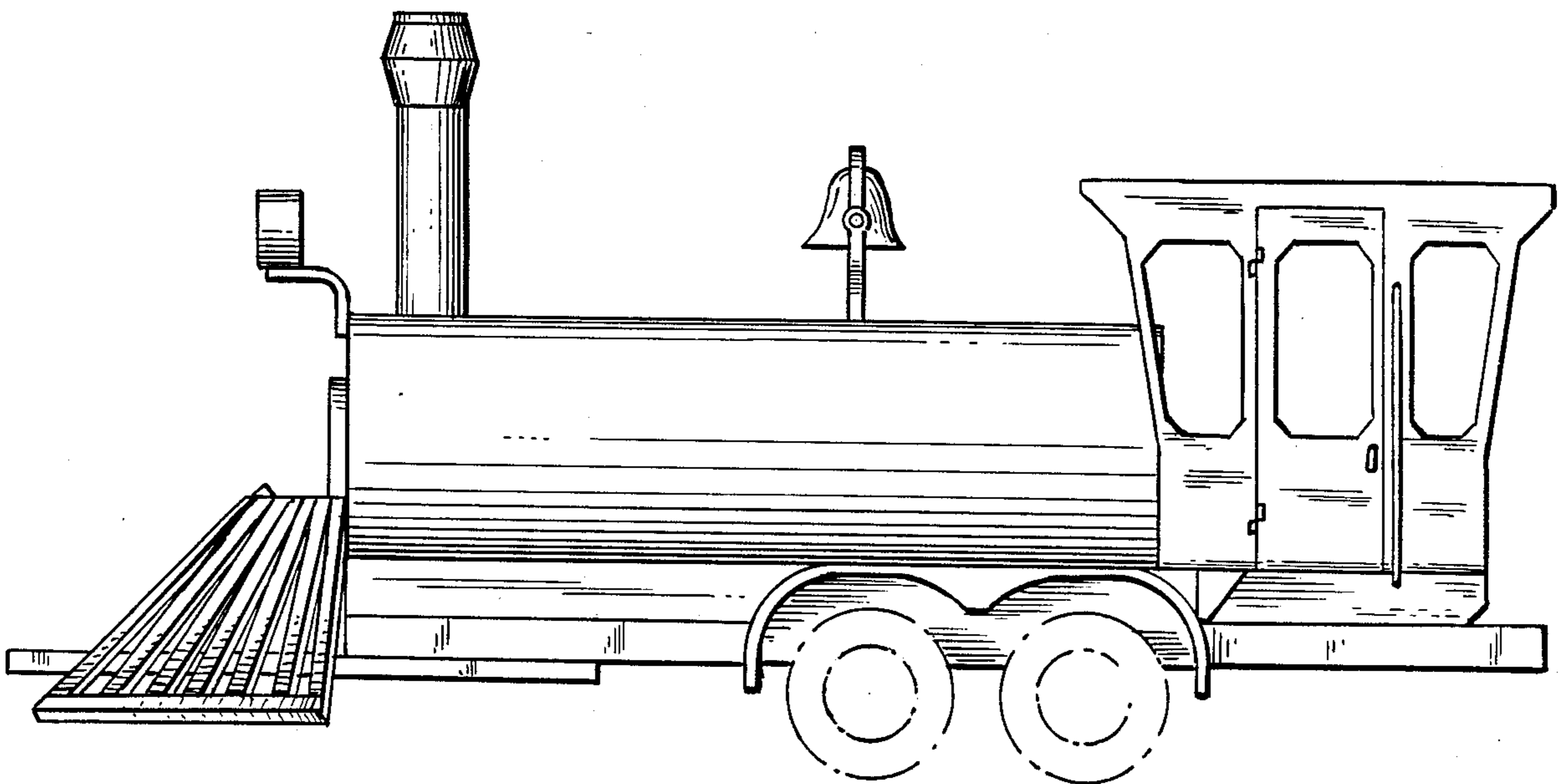


FIG. 2

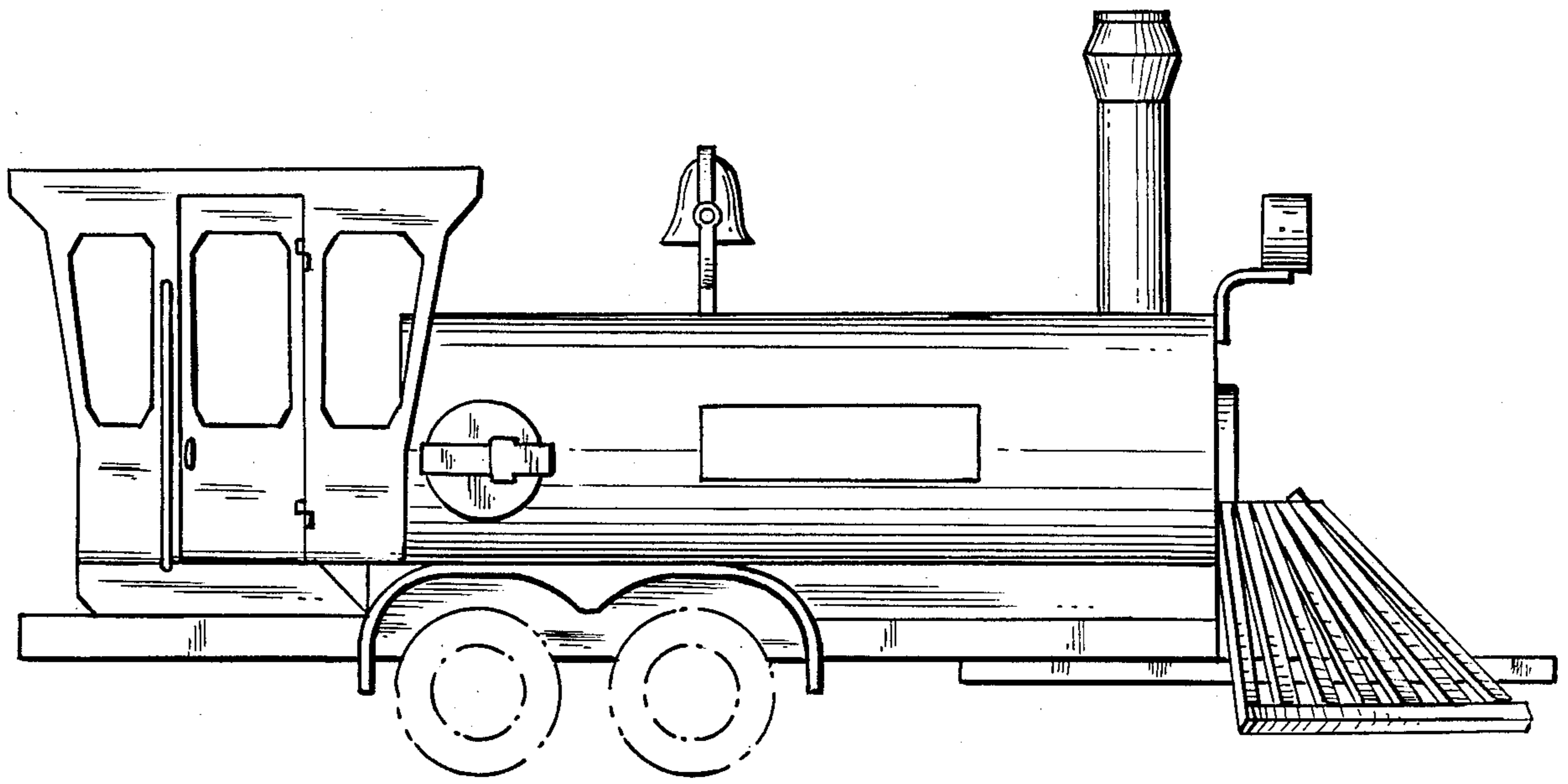


FIG. 3

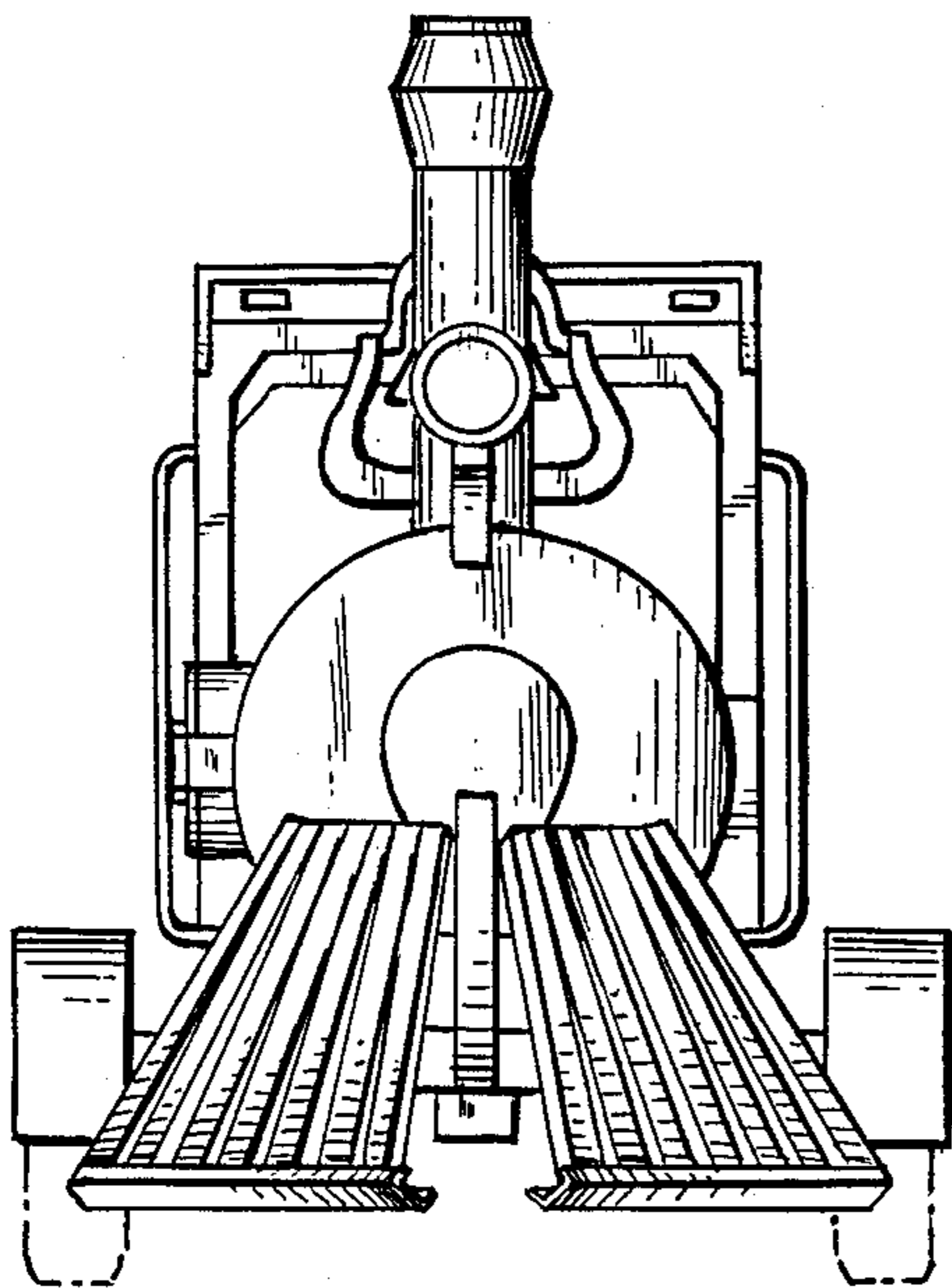


FIG. 4

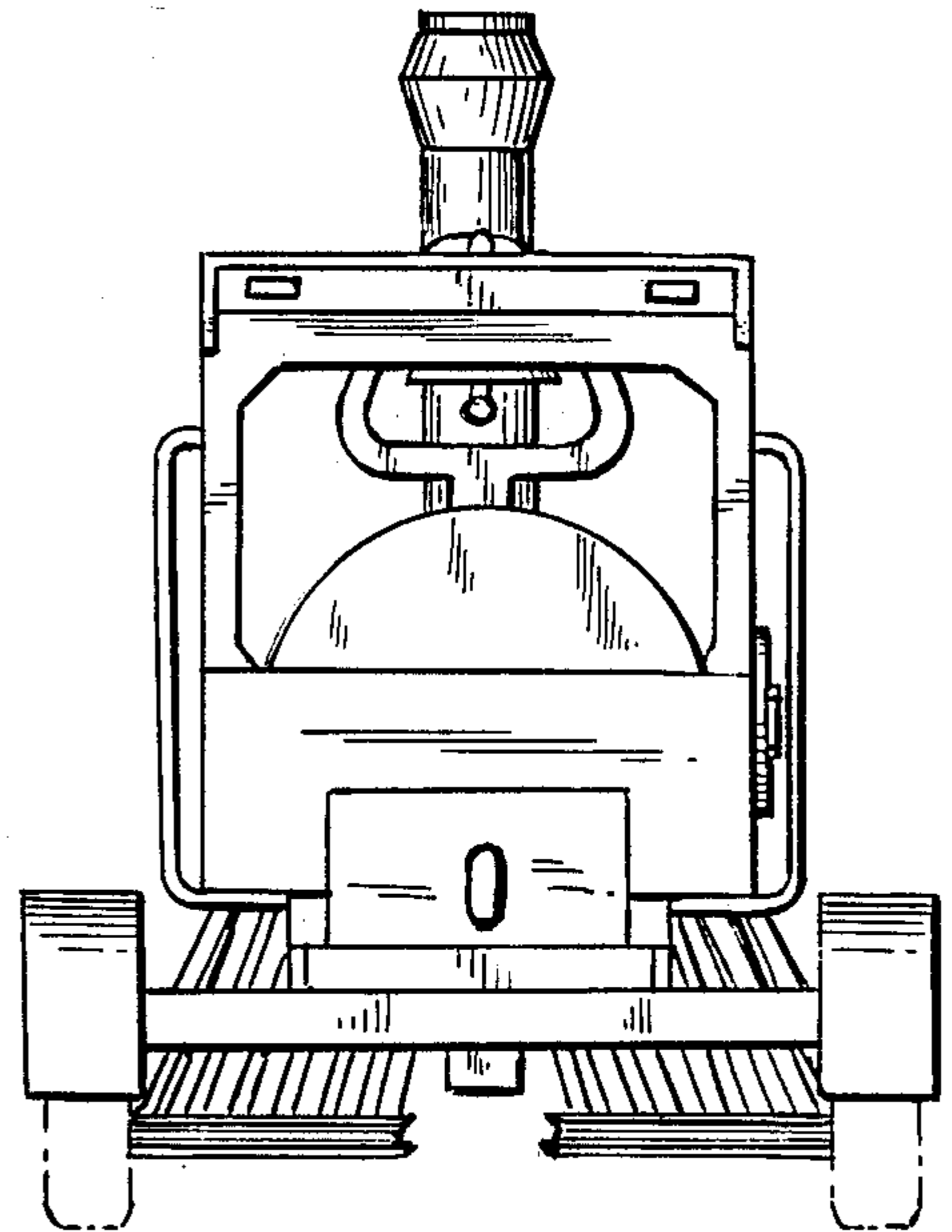


FIG. 5