

[54] **INSULATED FLASK**

[75] **Inventor: Ole Palsby, Copenhagen, Denmark**

[73] **Assignee: Alfi Zitzmann GmgH & Co.,
 Wertheim, Fed. Rep. of Germany**

[*] **Notice: The portion of the term of this patent
 subsequent to Aug. 23, 2002 has been
 disclaimed.**

[**] **Term: 14 Years**

[21] **Appl. No.: 871,589**

[22] **Filed: Jun. 6, 1986**

Related U.S. Application Data

[63] **Continuation-in-part of Ser. No. 813,627, Dec. 26,
 1985, Pat. No. Des. 297,295.**

[30] **Foreign Application Priority Data**

Dec. 11, 1985 [DE] Fed. Rep. of Germany ... MR 312-W
 [52] **U.S. Cl. D7/317; D7/319**
 [58] **Field of Search D7/300, 302, 303, 312,
 D7/309, 316-322, 77, 3**

[56] **References Cited**

U.S. PATENT DOCUMENTS

D. 259,613	6/1981	Sun	D7/318
D. 286,732	11/1986	Darnell	D7/319
D. 297,295	8/1988	Palsby	D7/317
2,786,495	3/1957	Benson	D7/312 X
4,064,795	12/1977	Ackerman	D7/309 X
4,140,252	2/1979	Karlen	D7/312 X
4,629,866	12/1986	Proctor	D7/318 X

OTHER PUBLICATIONS

Insert From HFD-Mikasa Housewares, Sec. One, Sep. 13, 1982, Retailing Home Furnishings, "Cerastone" Beverage Pot shown.

*Primary Examiner—Winifred E. Herrmann
 Attorney, Agent, or Firm—Antonelli, Terry & Wands*

[57] **CLAIM**

The ornamental design for an insulated flask, as shown and described.

DESCRIPTION

FIG. 1 is a front elevational view of an insulated flask showing my new design;
 FIG. 2 is a right side elevational view thereof, the left side elevational view is a mirror image;
 FIG. 3 is a rear elevational view thereof;
 FIG. 4 is a top plan view thereof;
 FIG. 5 is a bottom plan view thereof.

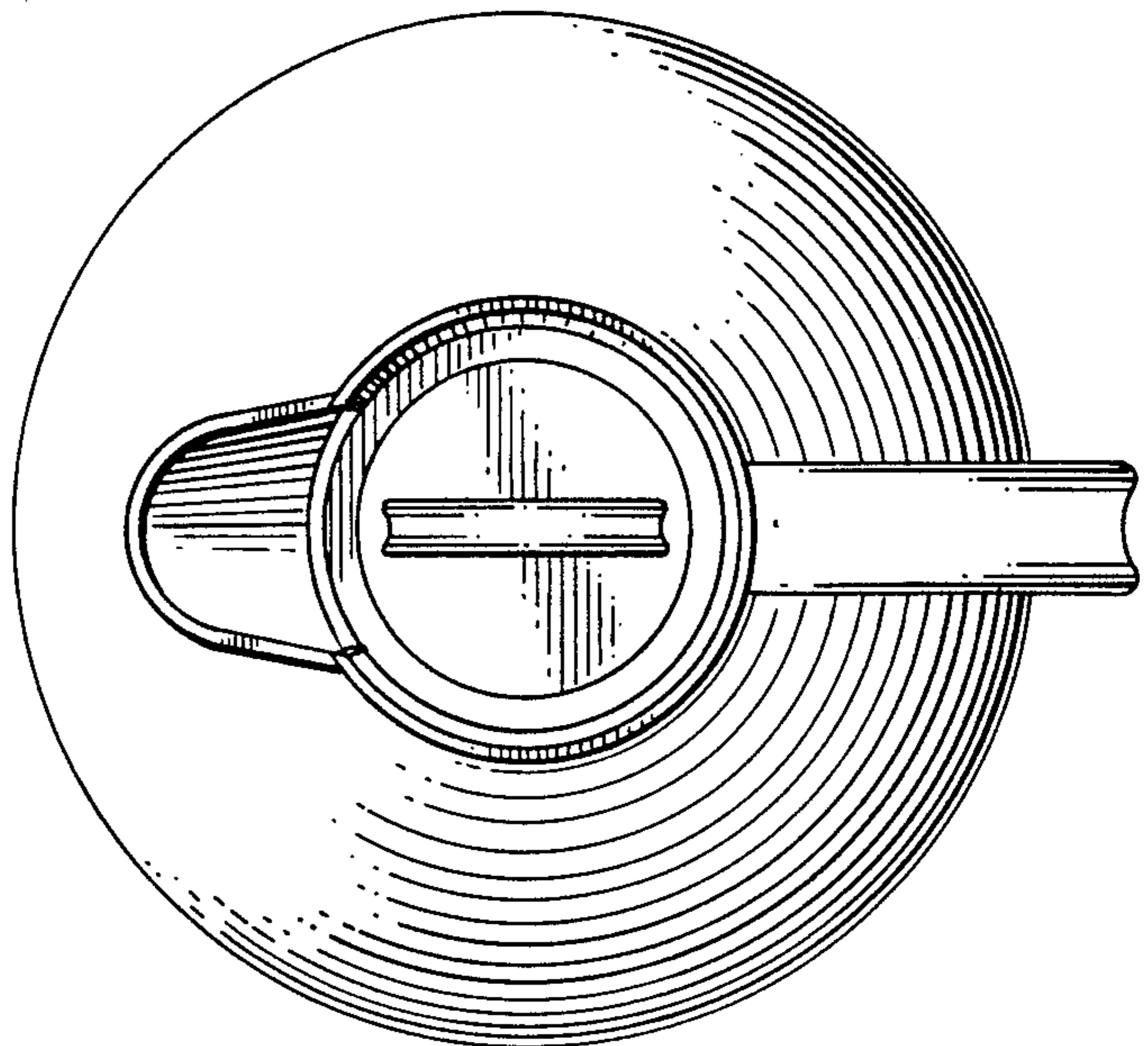
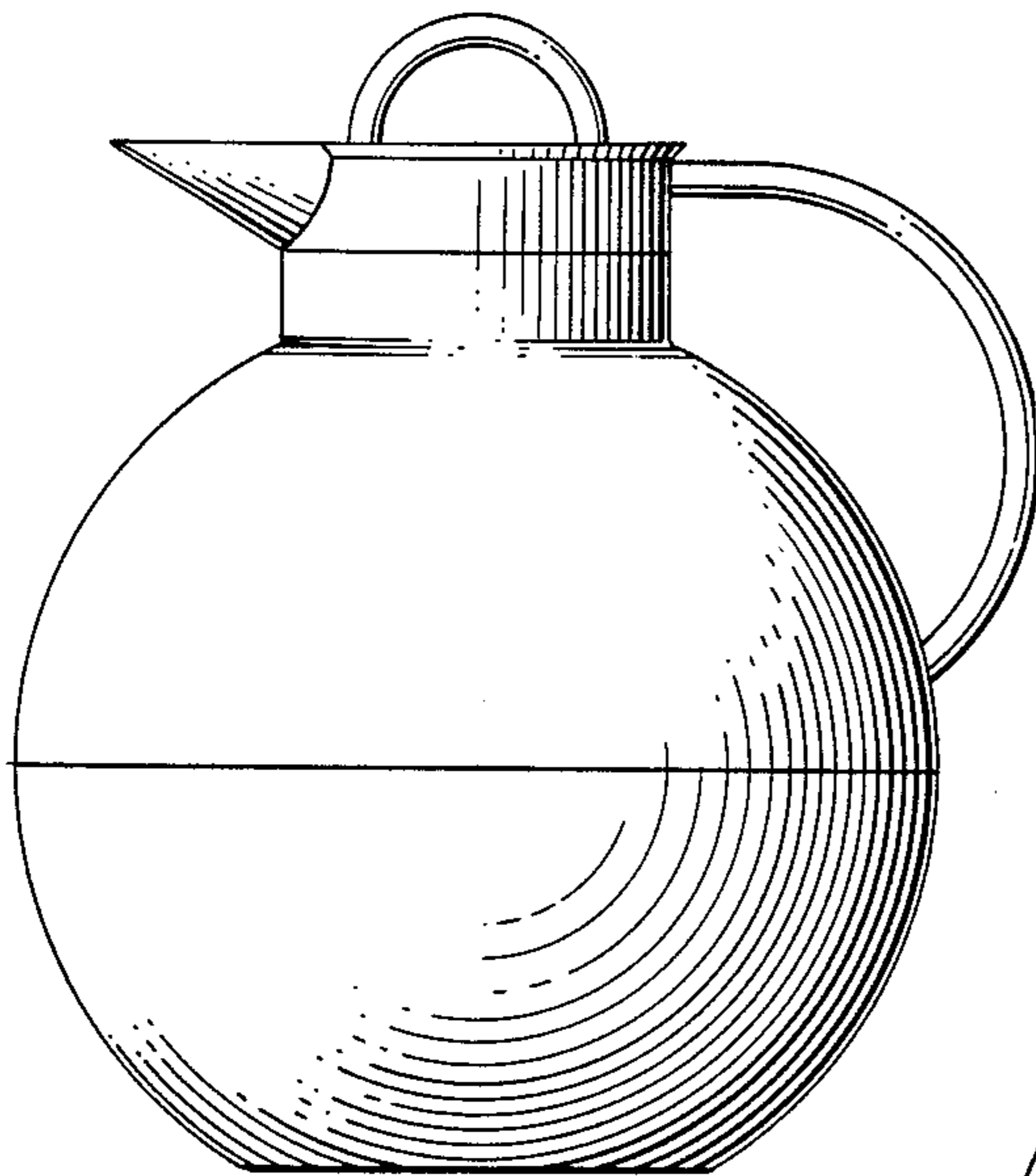


FIG. 2.

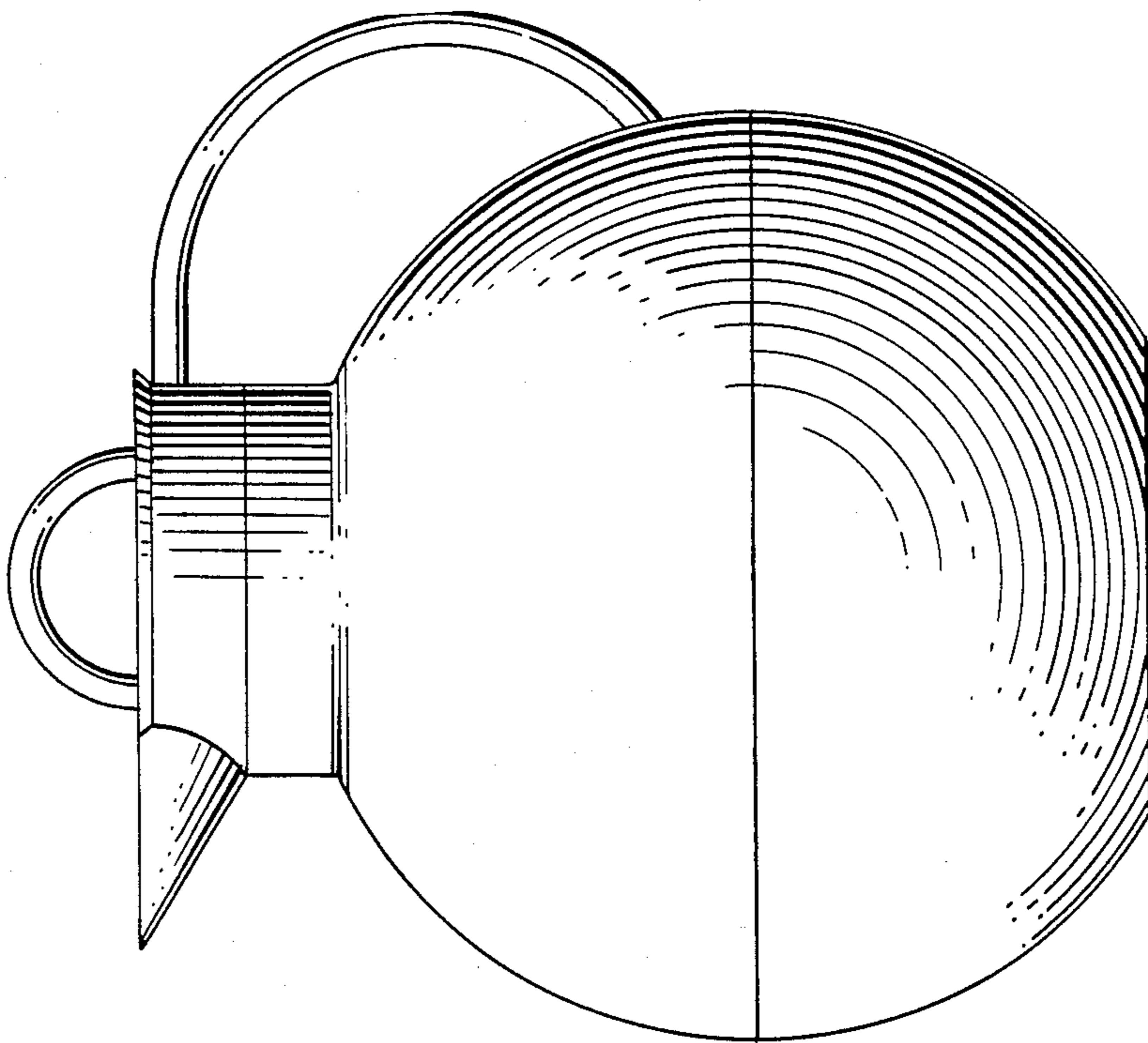


FIG. 1.

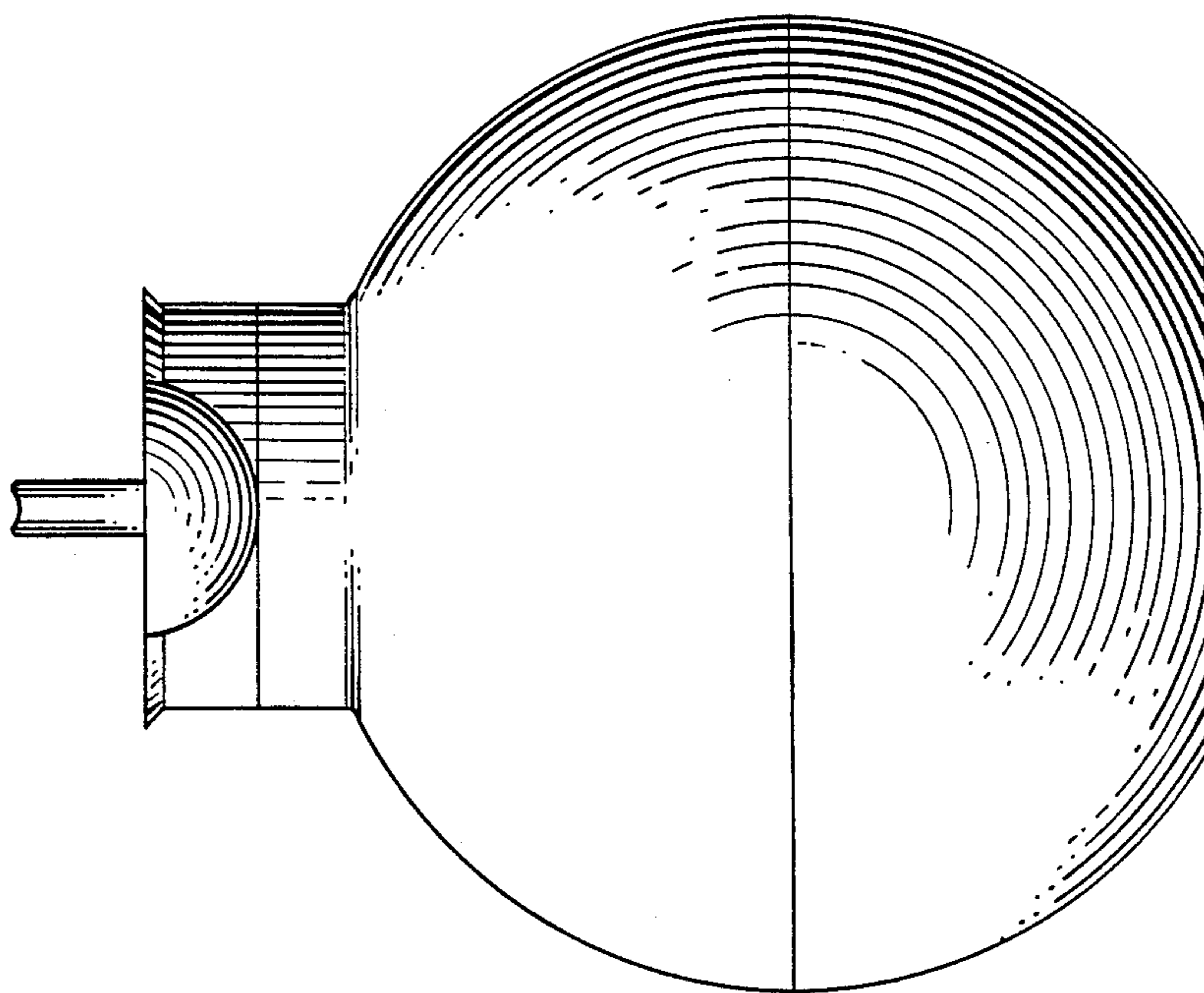


FIG. 4.

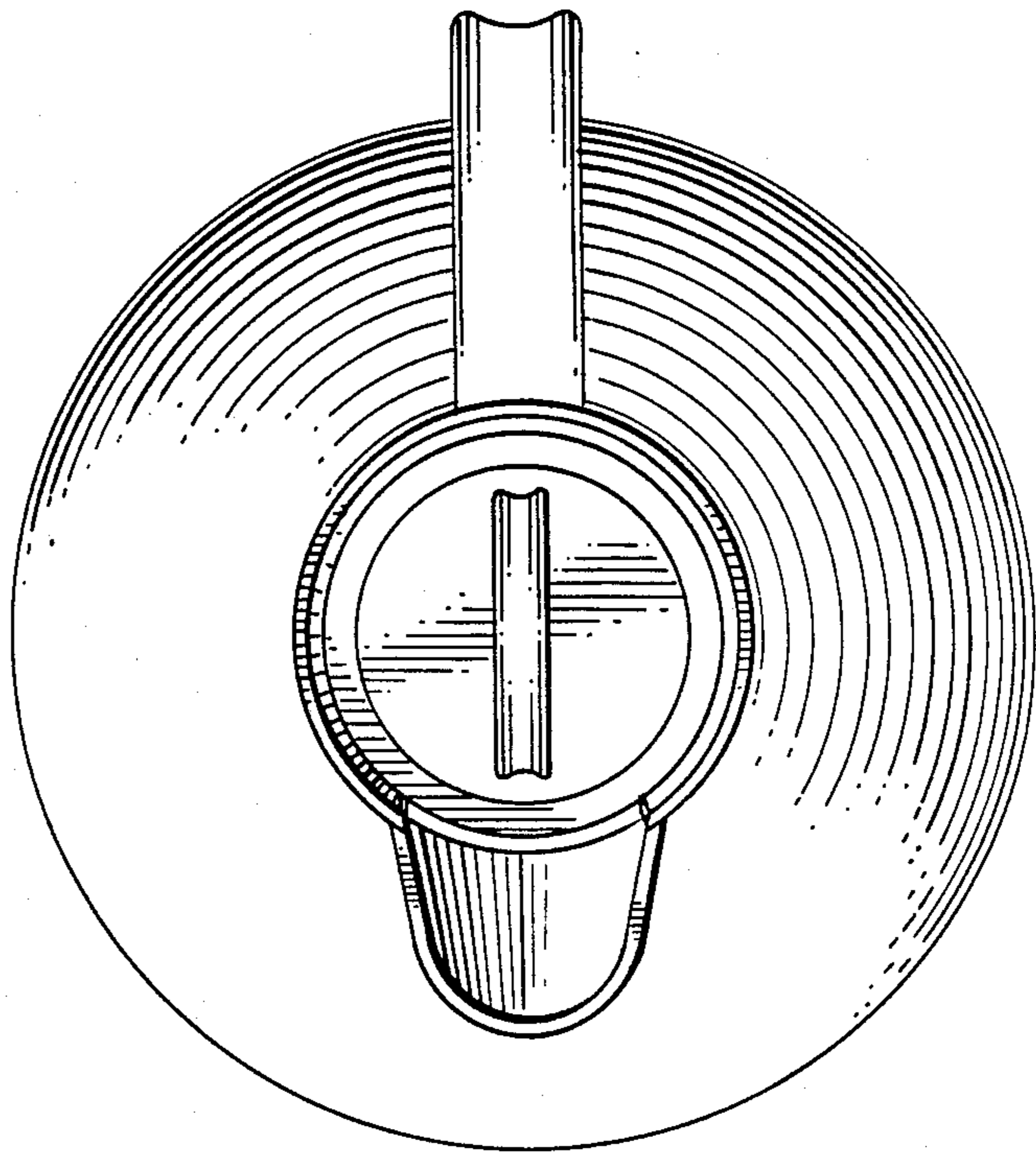


FIG. 3.

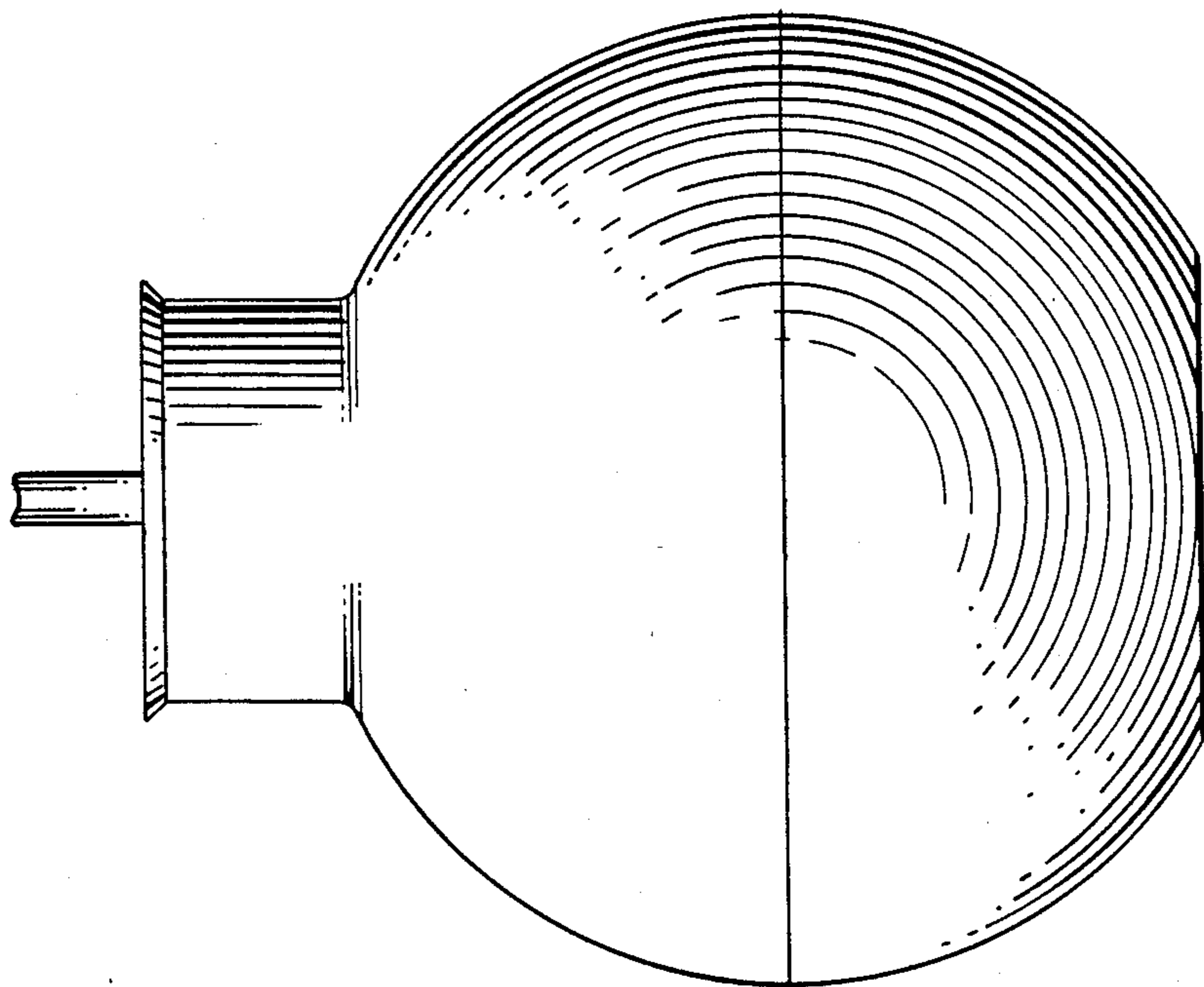


FIG. 5.

