

[54] WALL-MOUNTED DIAPER CHANGING TABLE

[75] Inventor: Timothy P. Burt, Minneapolis, Minn.

[73] Assignee: American Infant Care Products Corporation, Minneapolis, Minn.

[**] Term: 14 Years

[21] Appl. No.: 885,256

[22] Filed: Jul. 14, 1986

[52] U.S. Cl. D6/555

[58] Field of Search D6/300, 396, 432, 448-449, D6/512, 552-553, 559, 555, 567, 571, 573-574; 312/114, 126, 128-129, 138 A, 204, 224, 231, 234, 242, 245; 211/13, 34-35, 65, 69.1, 70.6, 70.7

[56] References Cited

U.S. PATENT DOCUMENTS

D. 139,753	12/1944	Adams	D6/559
D. 174,785	5/1955	Tompkins	D6/555
D. 179,871	3/1957	Wrablica	D6/555
D. 225,803	1/1973	Moore	D6/571
D. 244,072	4/1977	Schaecher	D6/555
544,588	8/1895	Pattiani	D6/523 X
2,203,538	6/1940	Meilink	.	
2,735,737	2/1956	Hancock	.	
2,774,640	12/1956	Harmon et al.	.	
4,155,609	5/1979	Skafto et al.	312/245 X
4,304,447	12/1981	Ellwood et al.	312/242 X

OTHER PUBLICATIONS

Custom-Aire Brochure, (1959), p. 1, Wall Desk.

Primary Examiner—Wallace R. Burke

Assistant Examiner—Brian N. Vinson

Attorney, Agent, or Firm—Merchant, Gould, Smith, Edell, Welter & Schmidt

[57] CLAIM

The ornamental design for a wall-mounted diaper changing table, as shown and described.

DESCRIPTION

FIG. 1 is a perspective view of a wall-mounted diaper changing table showing my new design in an open position;

FIG. 2 is a front elevational view thereof;

FIG. 3 is a top plan view thereof;

FIG. 4 is a bottom plan view thereof;

FIG. 5 is a left side elevational view thereof, the right side being a mirror image of that shown;

FIG. 6 is a perspective view thereof, shown in a closed position;

FIG. 7 is a front elevational view thereof, shown in a closed position;

FIG. 8 is a top plan view thereof, shown in a closed position;

FIG. 9 is a bottom plan view thereof, shown in a closed position; and

FIG. 10 is a left side elevational view thereof, shown in a closed position with the right side being a mirror image of that shown.

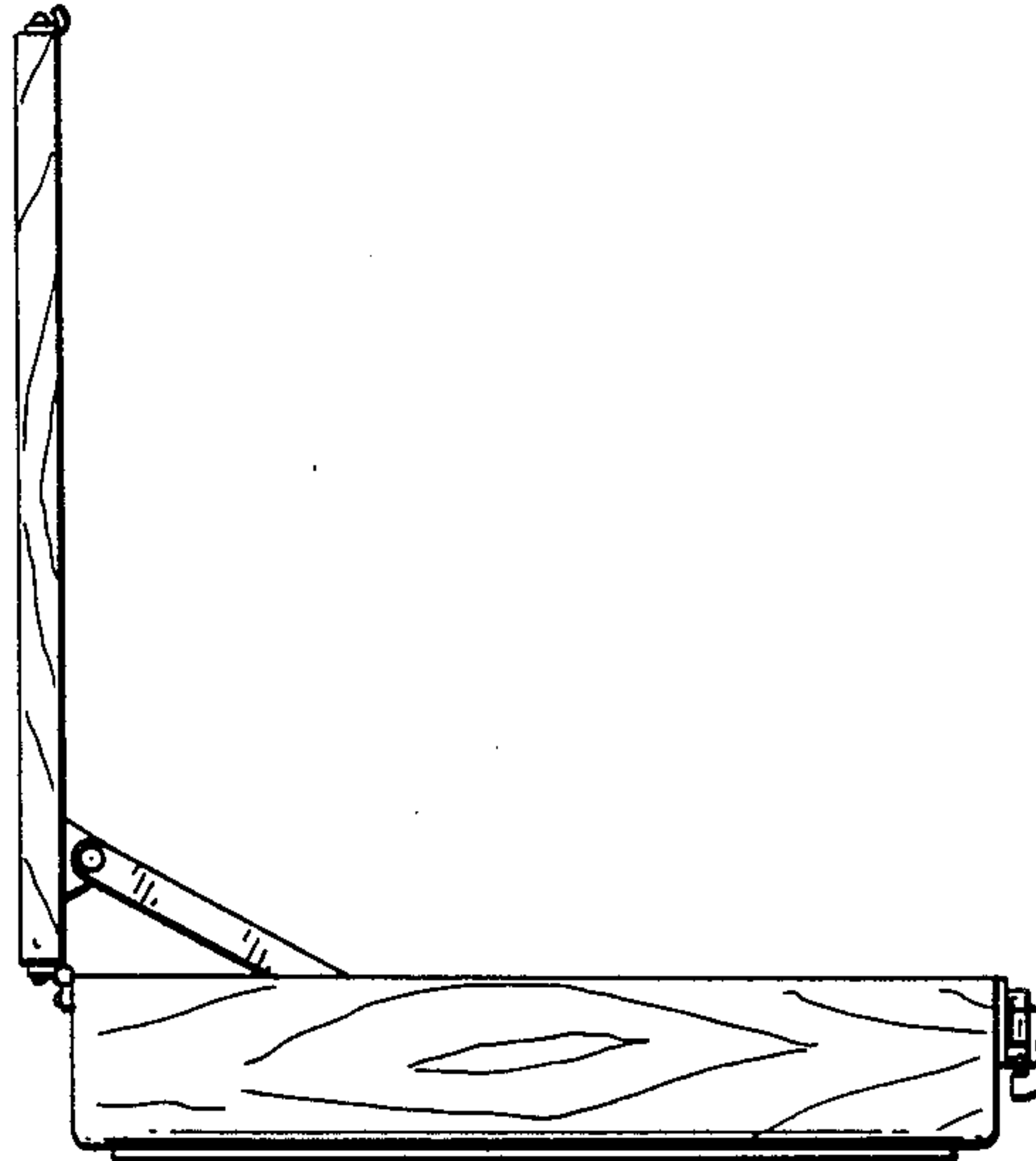
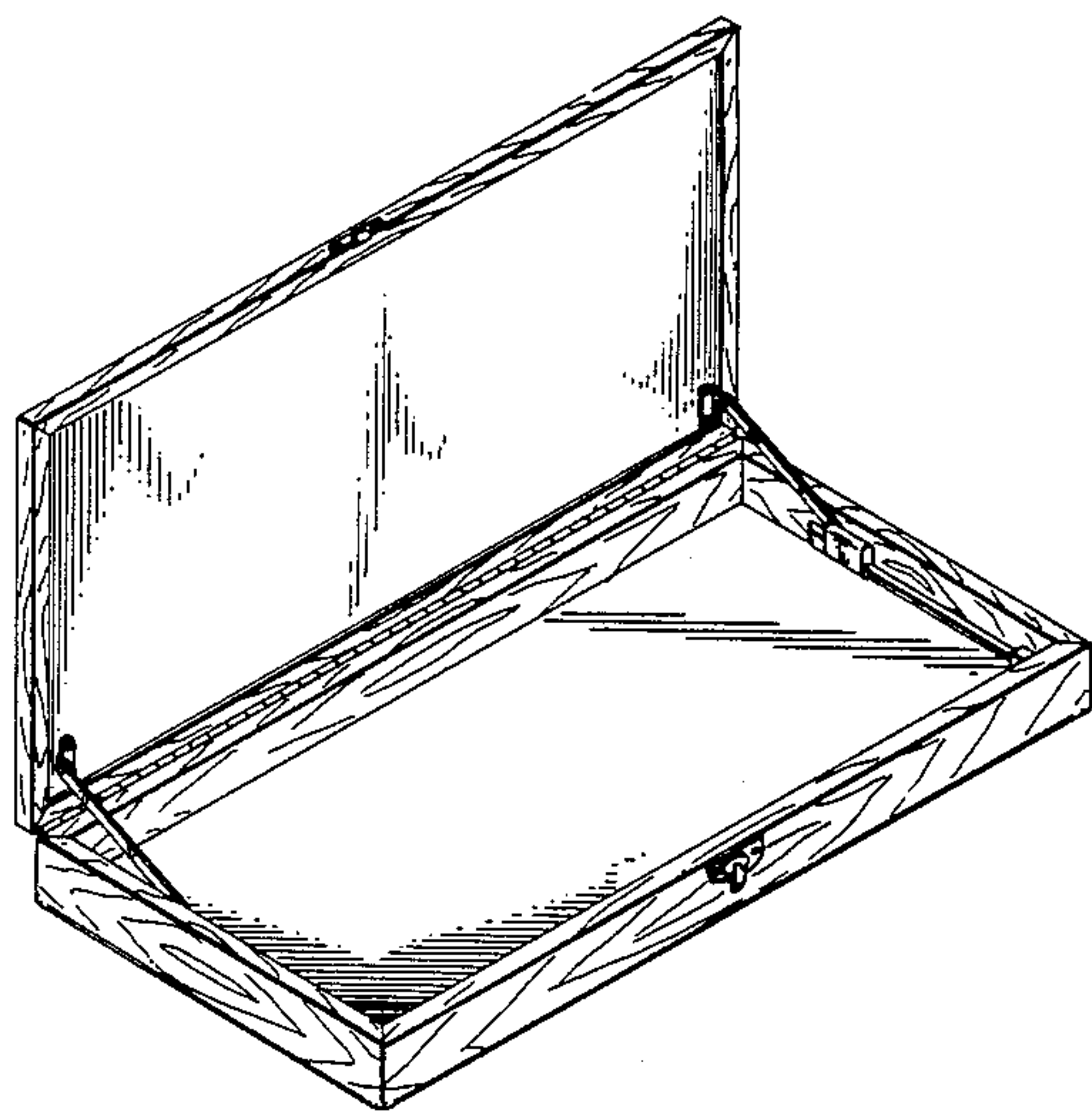


FIG. 1

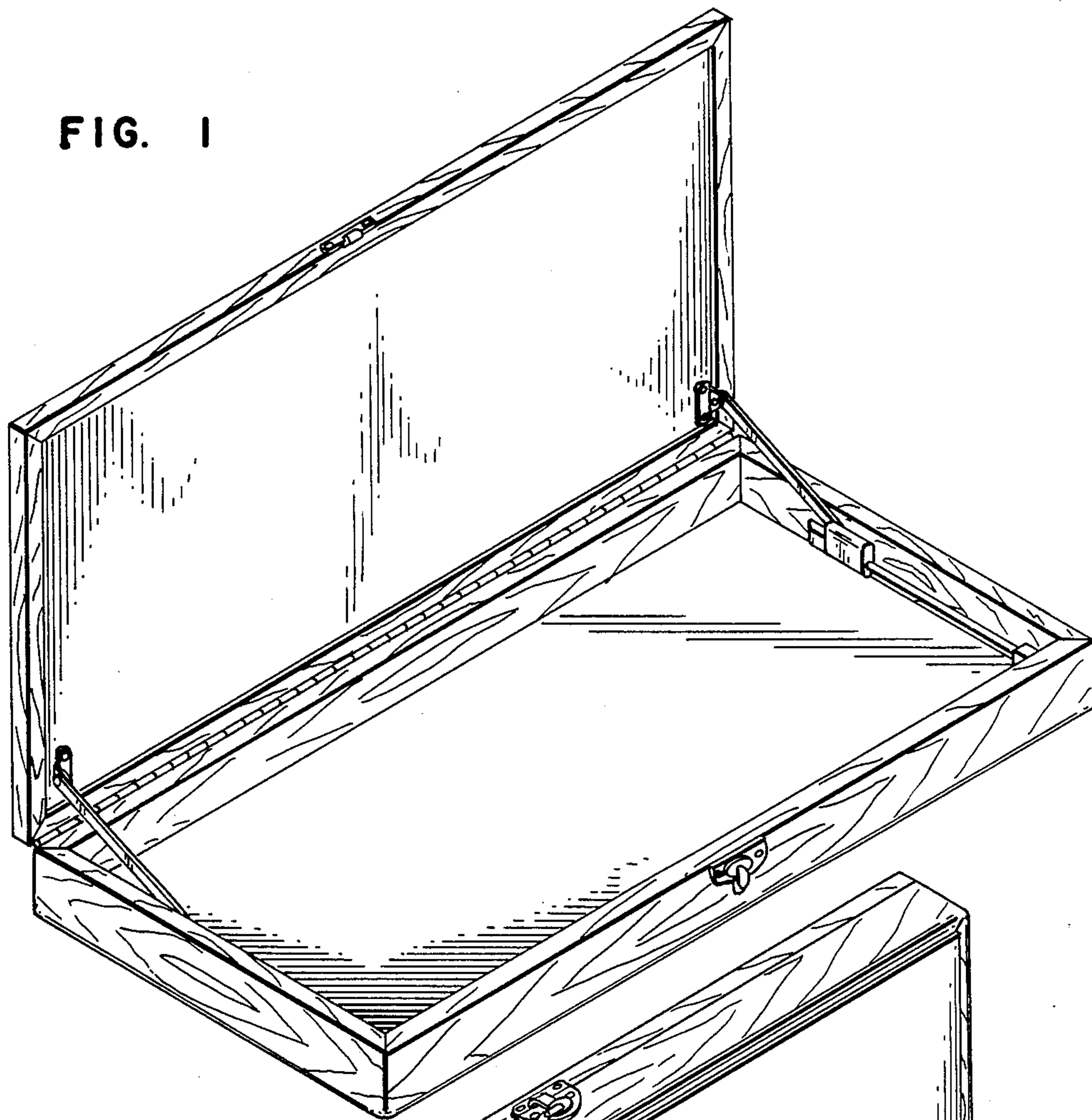


FIG. 6

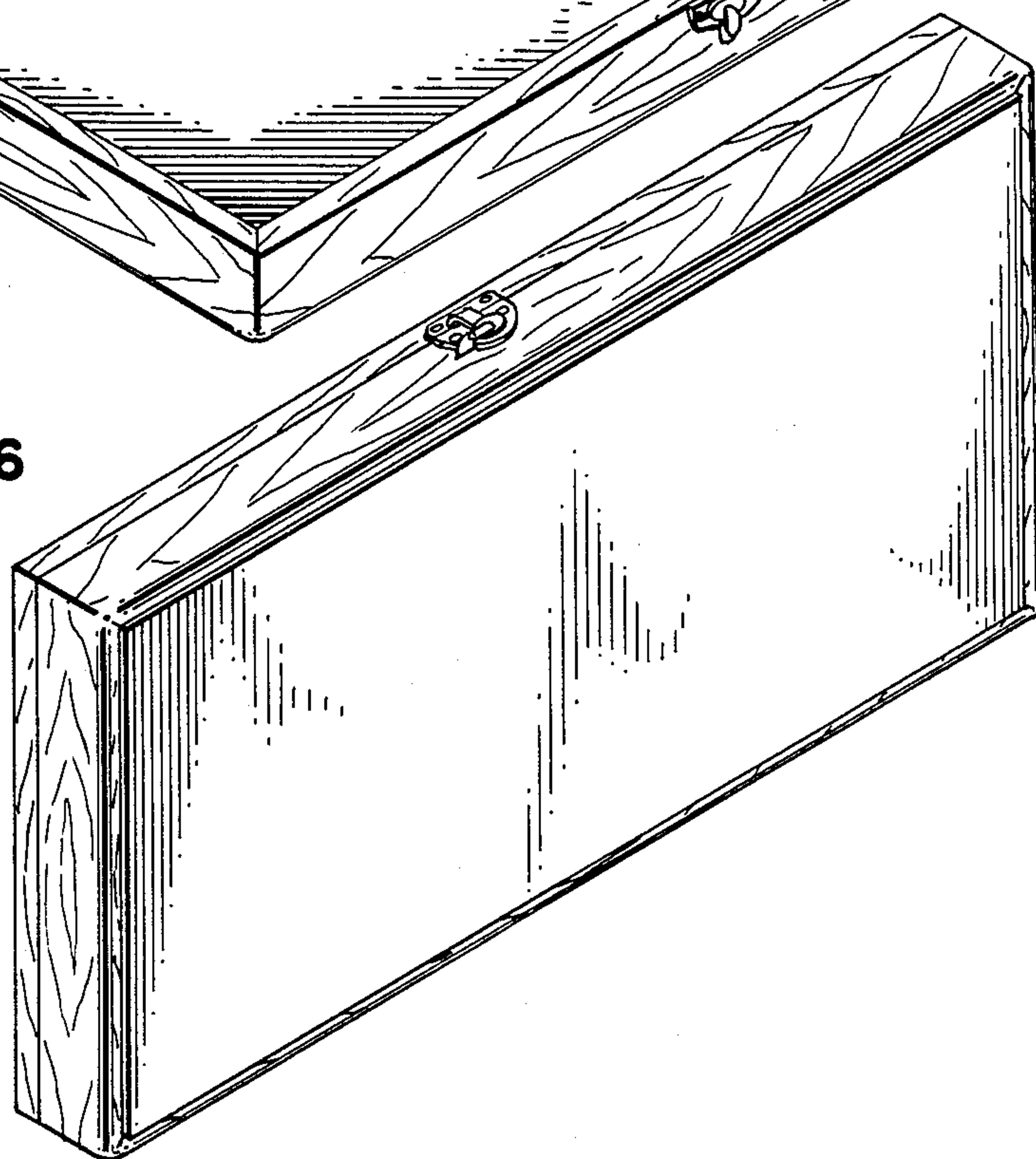


FIG. 2

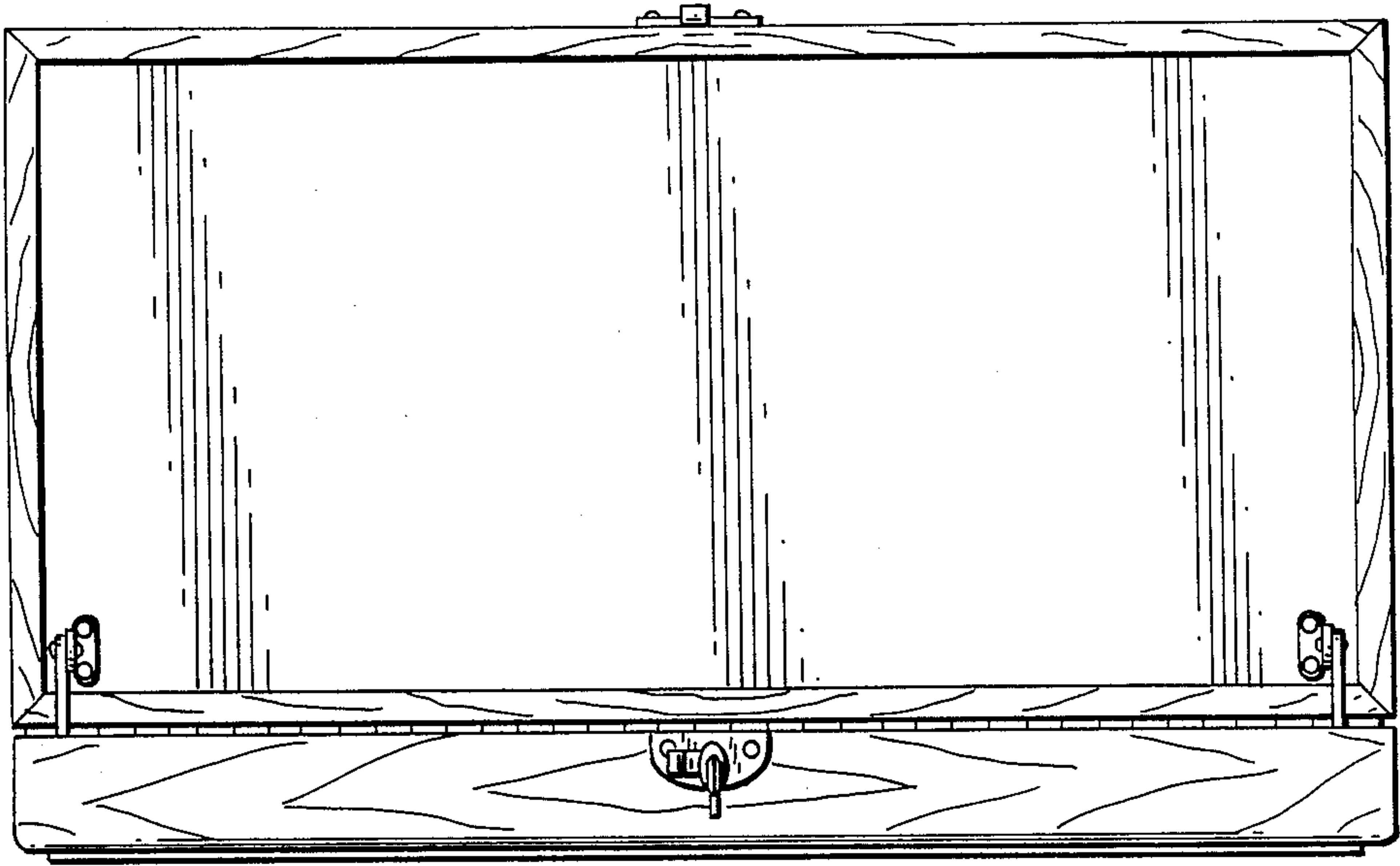


FIG. 3

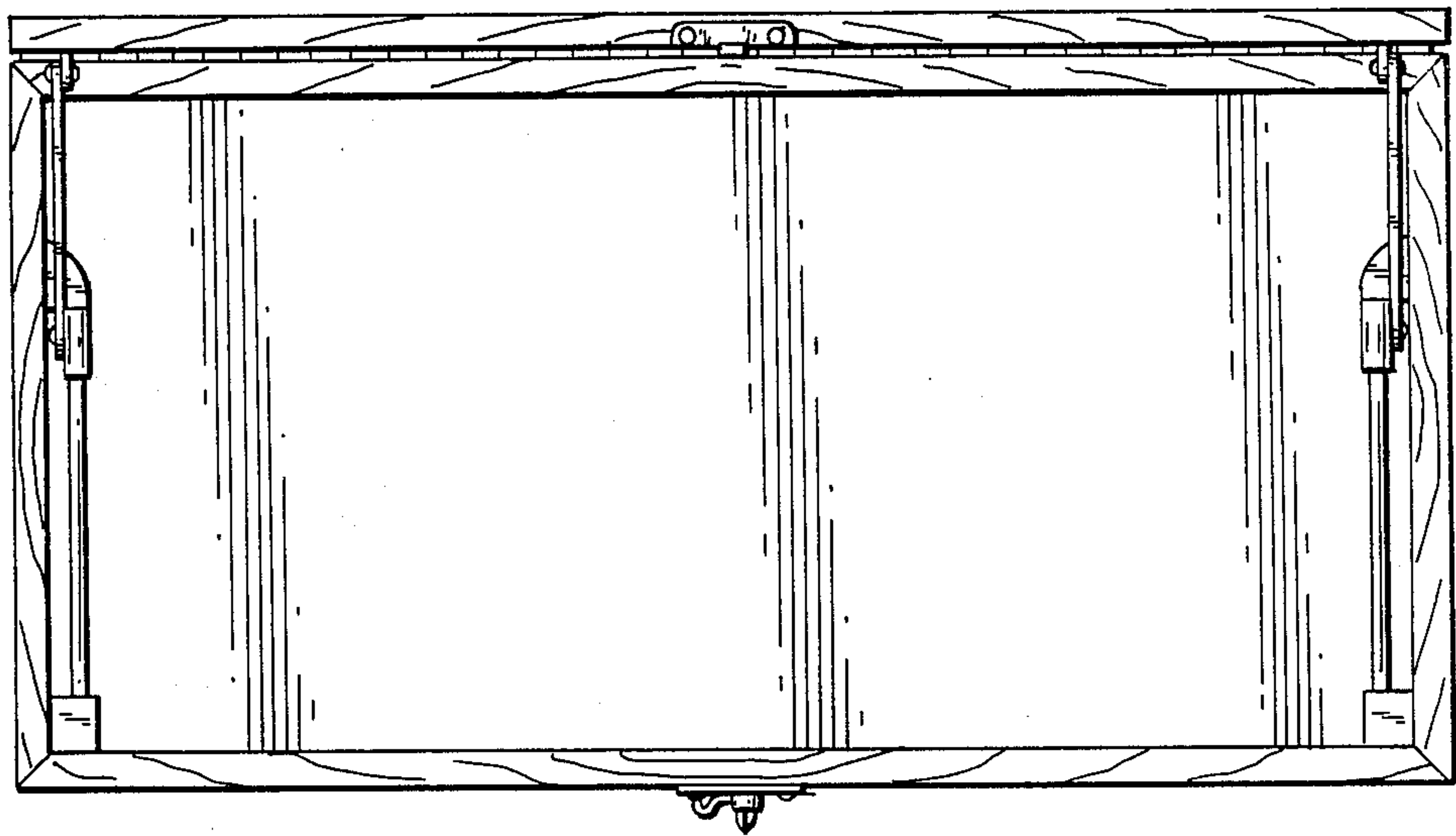


FIG. 4

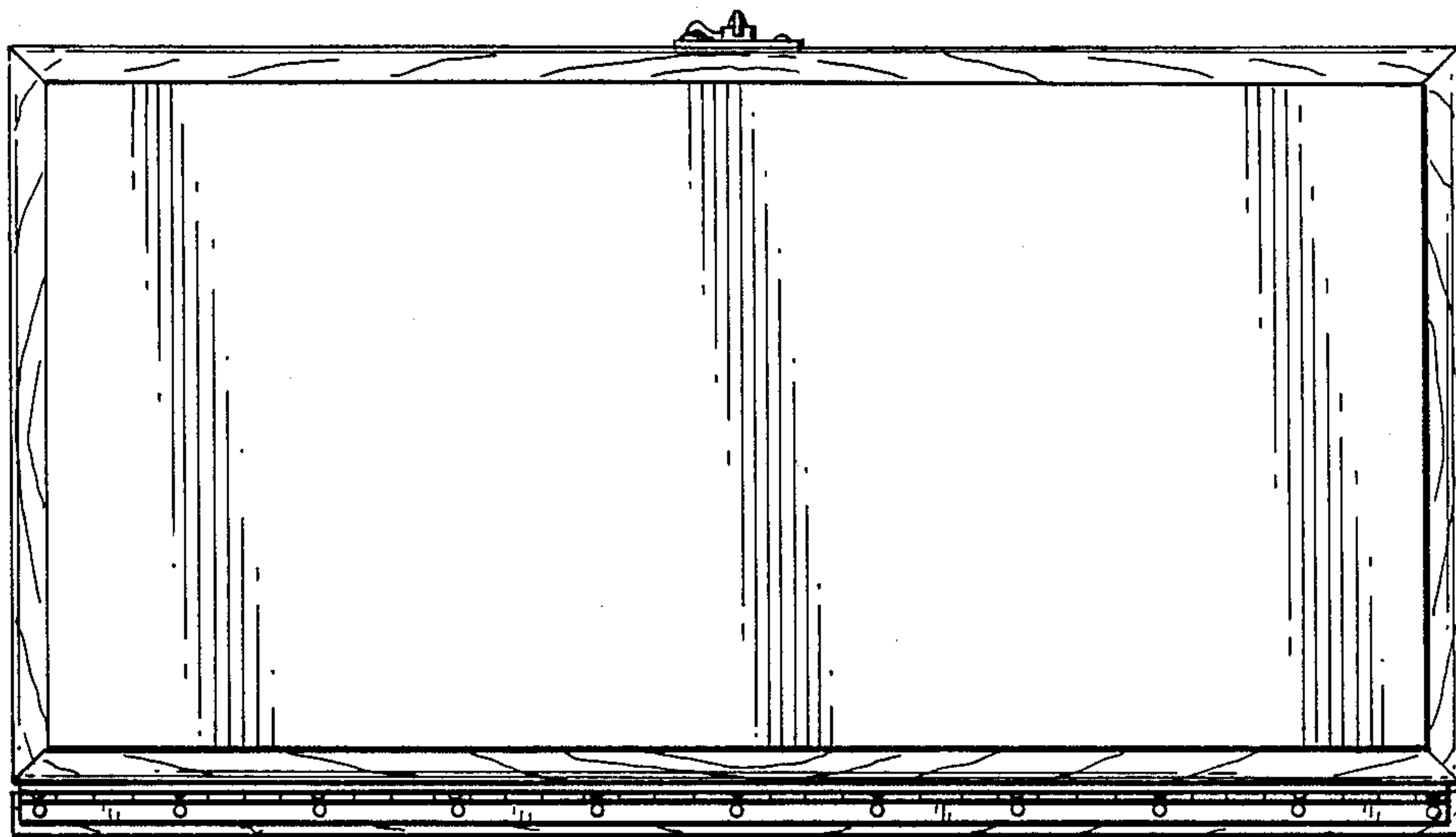


FIG. 5

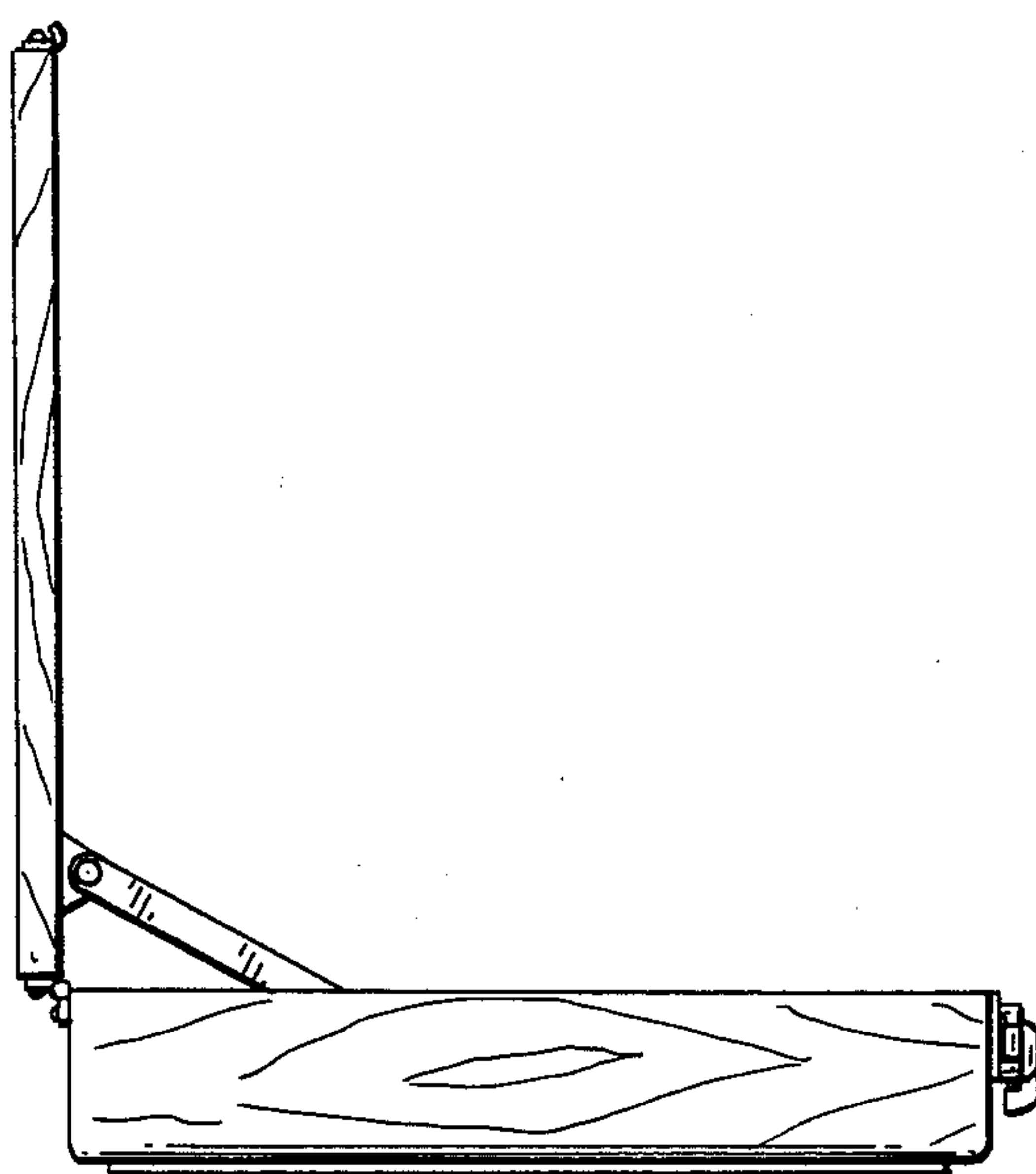


FIG. 7

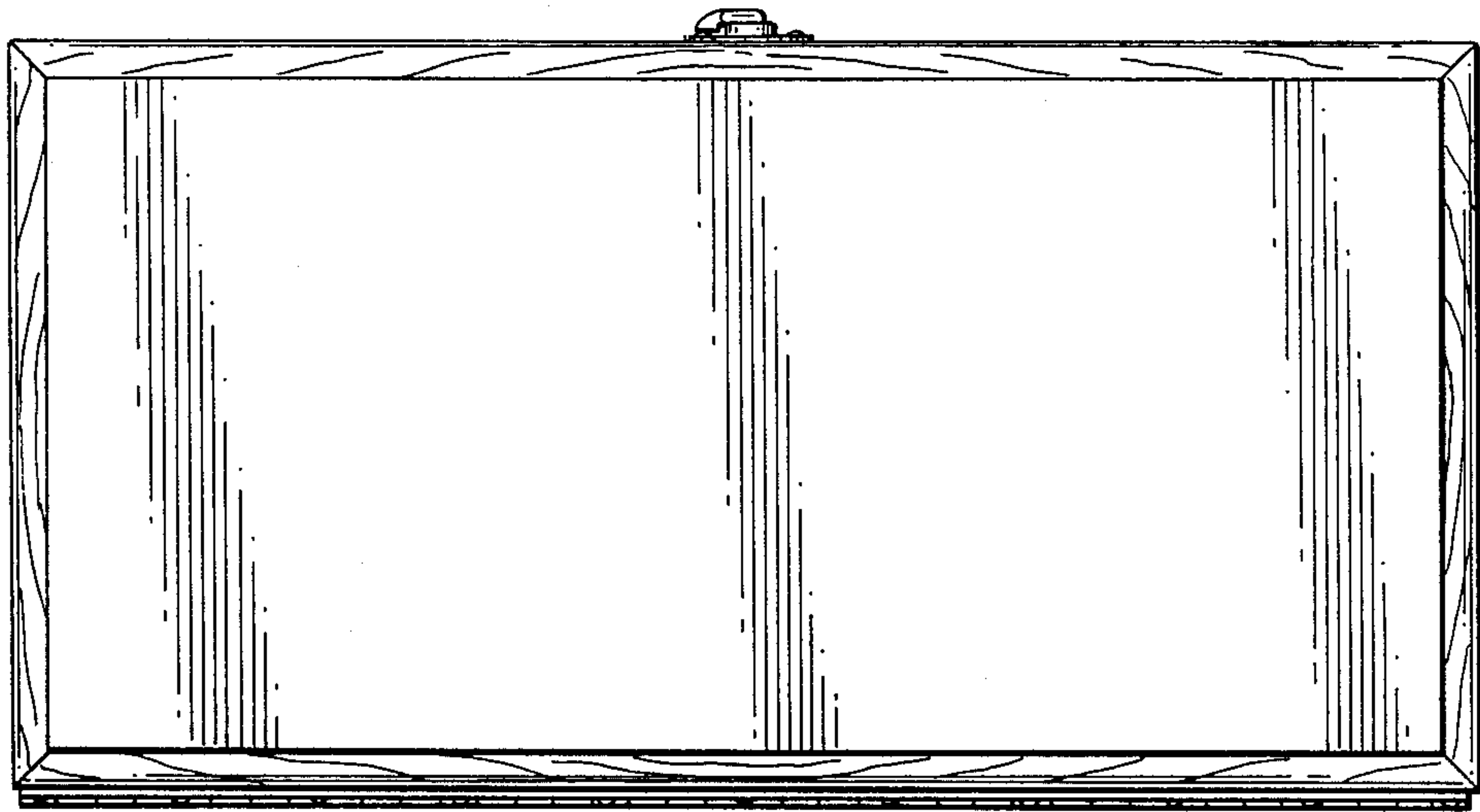


FIG. 8

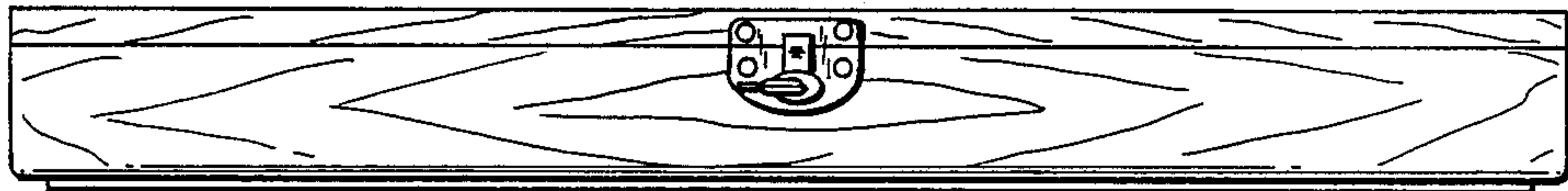


FIG. 9

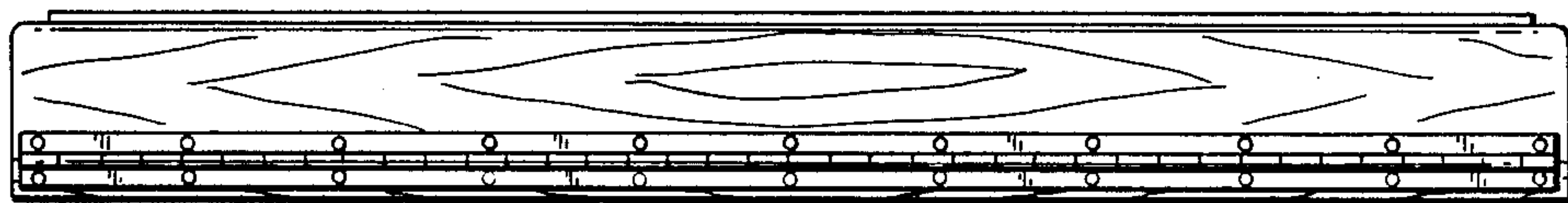


FIG. 10

