

United States Patent [19]

Speros et al.

[11] Patent Number: **Des. 302,087**

[45] Date of Patent: **** Jul. 11, 1989**

[54] CONTAINER HOLDER FOR ATTACHMENT TO A CHAIR ARM

[76] Inventors: **Mark Speros; John Danna**, both of 10270 Riverford Rd., Lakeside, Calif. 92040

[**] Term: **14 Years**

[21] Appl. No.: **889,410**

[22] Filed: **Jul. 25, 1986**

[52] U.S. Cl. **D6/510; D6/491; D7/70**

[58] Field of Search **D6/500, 501, 502, 511, D6/510; D7/70**

[56] **References Cited**

U.S. PATENT DOCUMENTS

D. 200,654 3/1965 Scott D6/500 X

D. 233,877 12/1974 Sciarrone D6/500 X
D. 249,108 8/1978 Cannon, Jr. D6/511
D. 256,201 8/1980 Ventura D7/70 X
D. 259,379 6/1981 Eisenstat D6/500
D. 265,880 8/1982 Craig D7/70

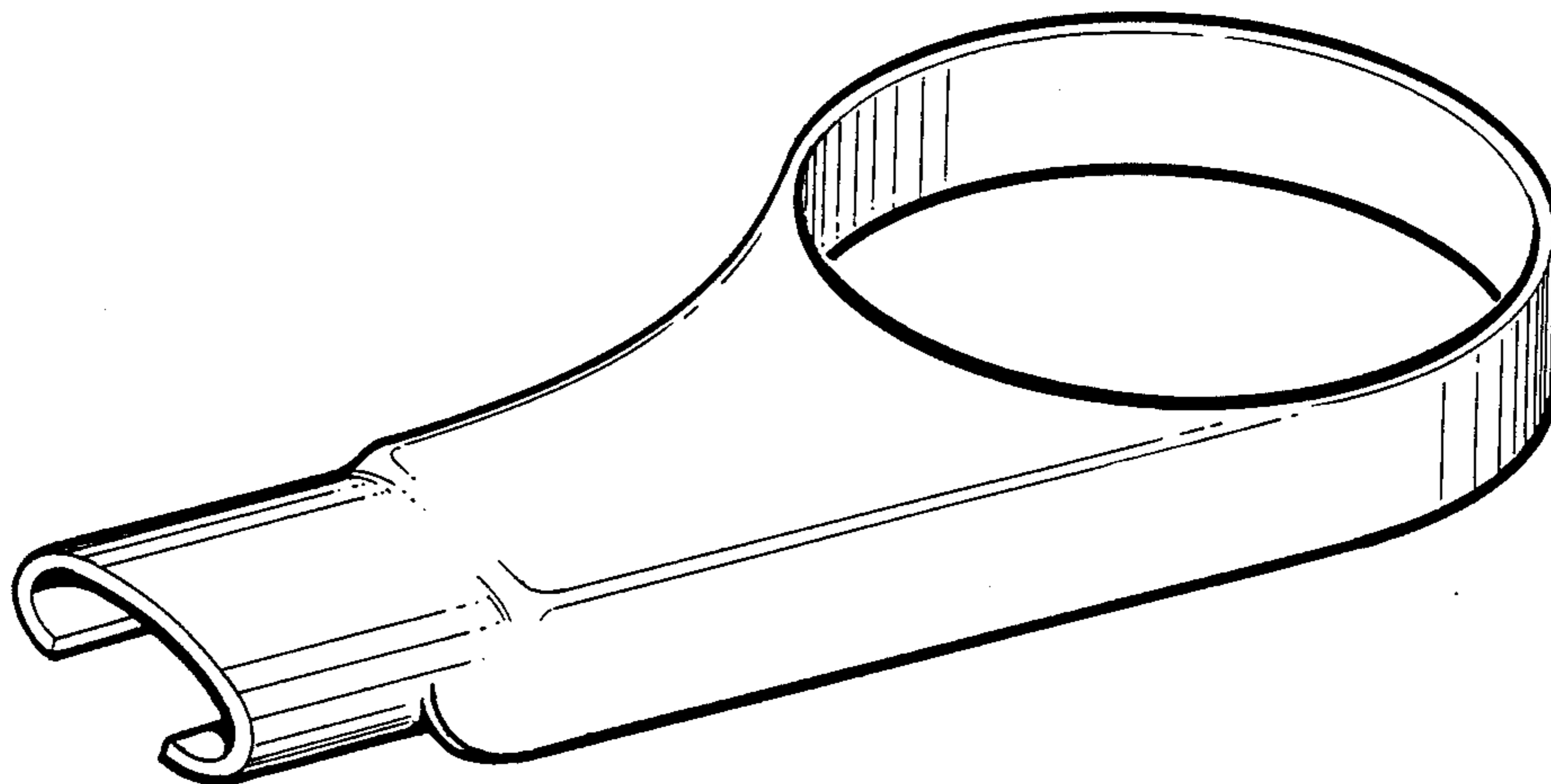
Primary Examiner—Bruce W. Dunkins
Attorney, Agent, or Firm—Charles C. Logan, II

[57] **CLAIM**

The ornamental design for a container holder for attachment to a chair arm, as shown.

DESCRIPTION

FIG. 1 is a rear elevation view of container holder for attachment to a chair arm showing our new design; FIG. 2 is a top plan view thereof; FIG. 3 is a right end elevation view thereof; FIG. 4 is a left end elevation view thereof; FIG. 5 is a bottom plan view thereof; and FIG. 6 is a front perspective view thereof.



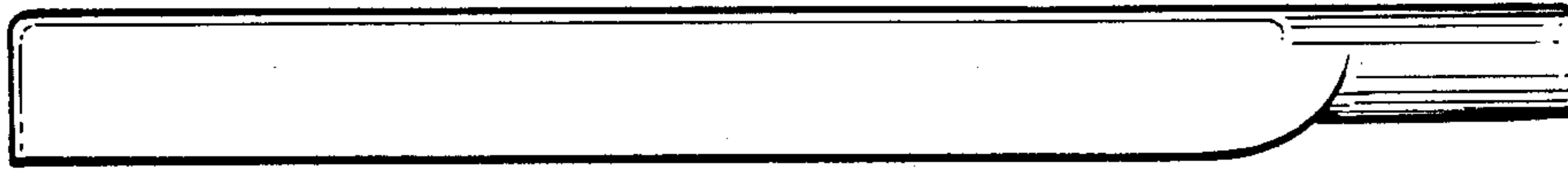


FIG. 1

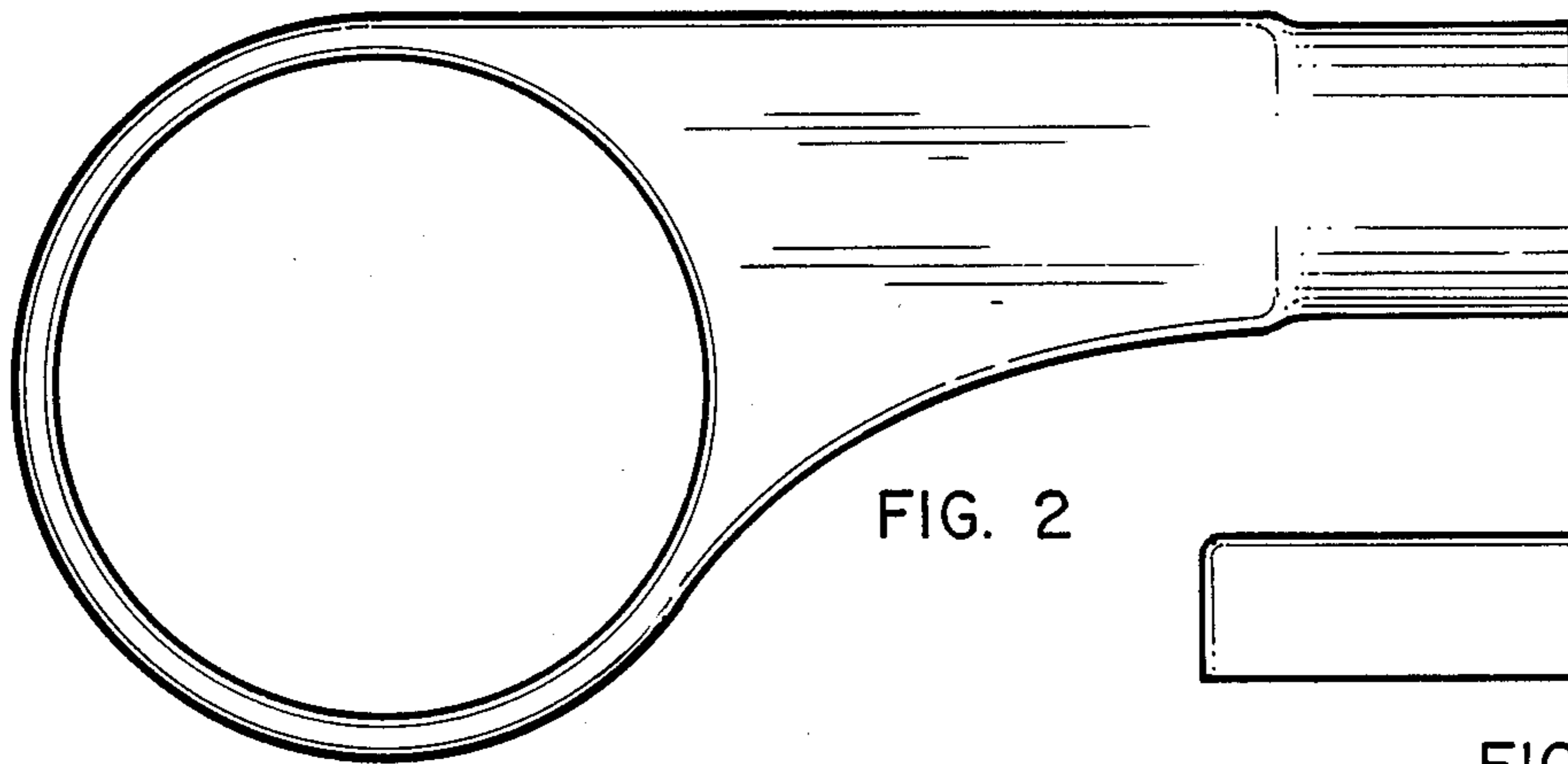


FIG. 2



FIG. 3



FIG. 4

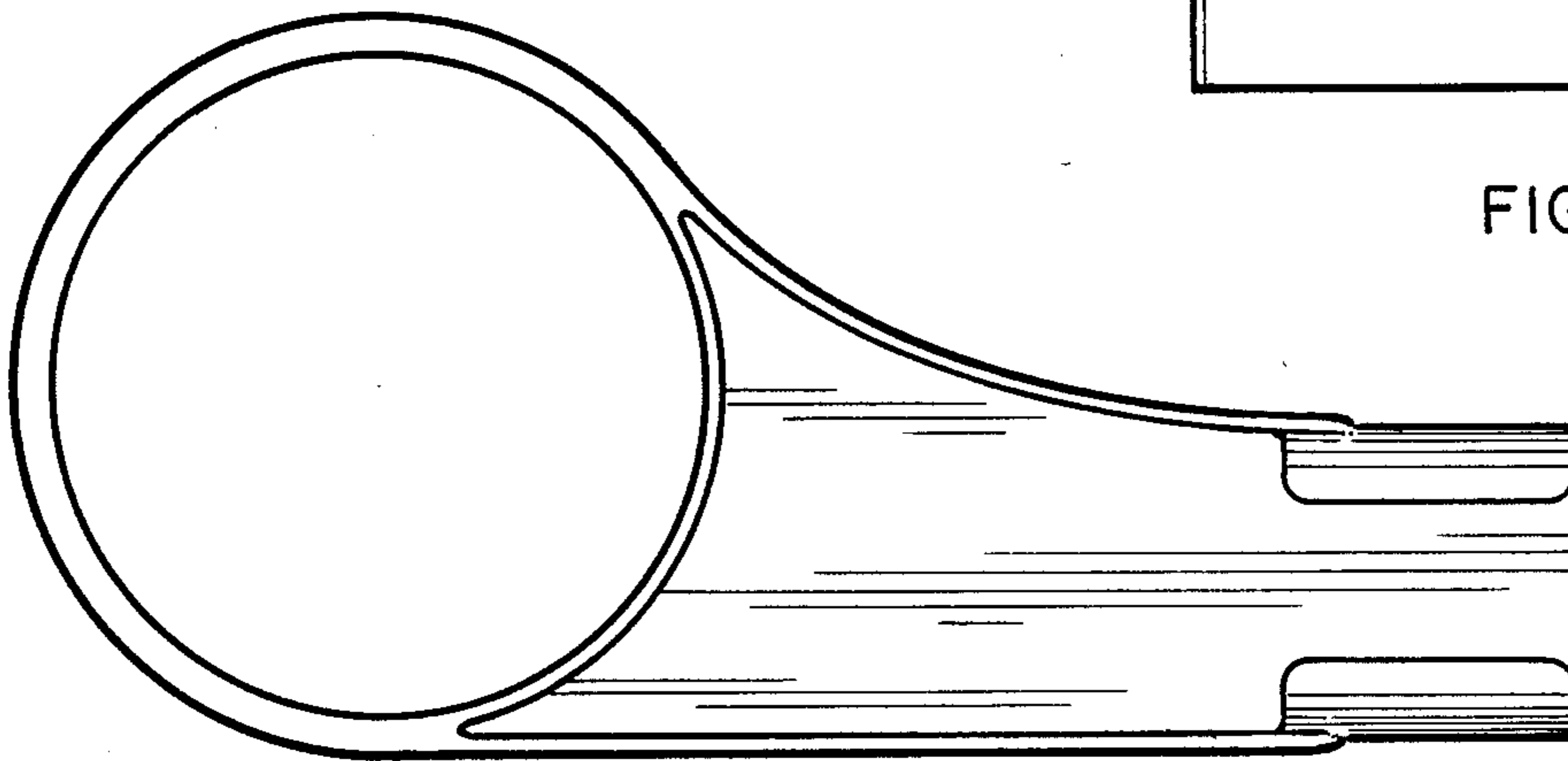


FIG. 5

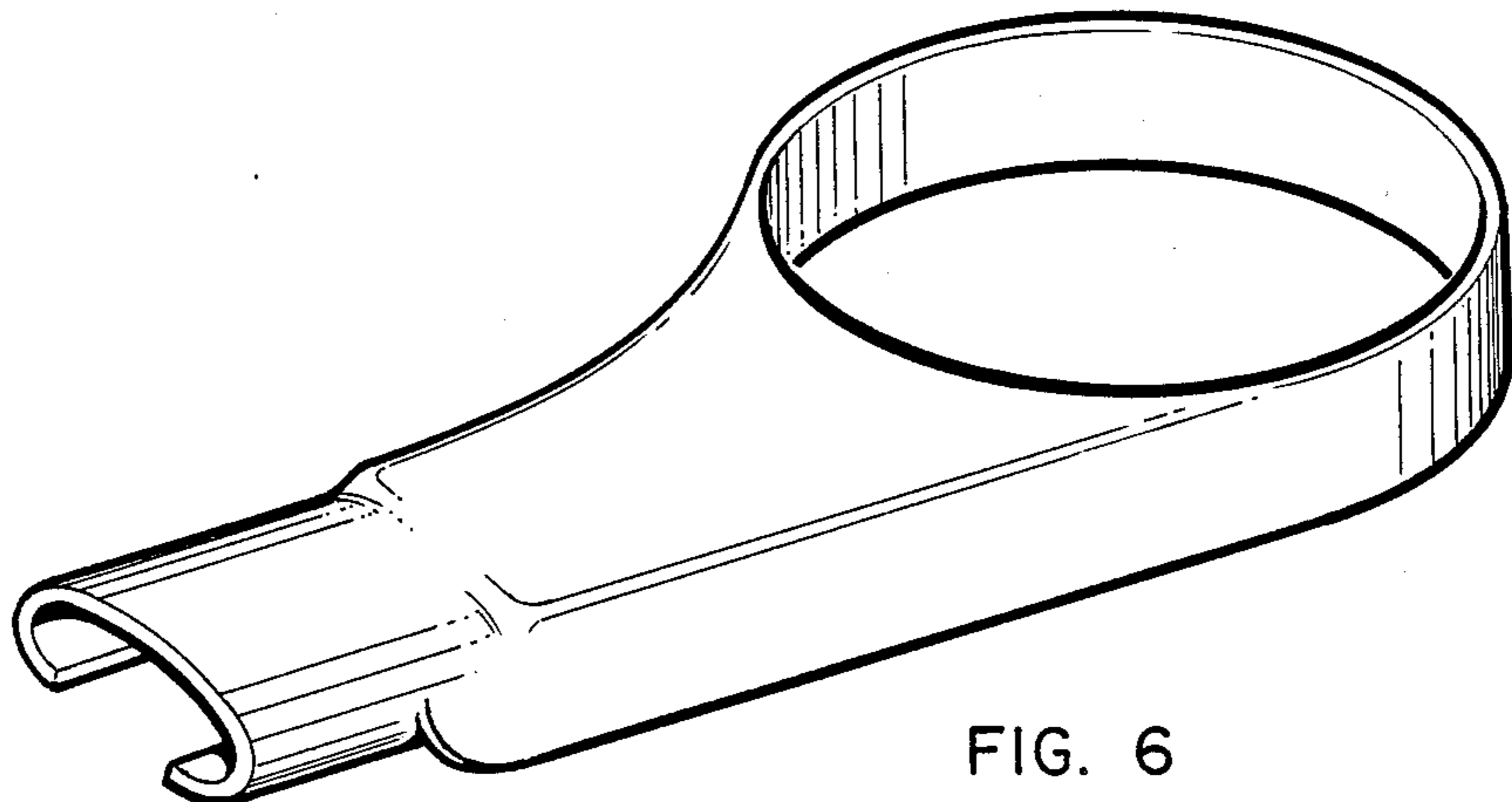


FIG. 6