

[54] COMBINED CLOTHES TREE AND NIGHTLIGHT

D. 73,576 10/1927 Neal D6/411
D. 83,098 1/1931 Fisher D10/115 X
D. 127,028 5/1941 Warren D6/399

[76] Inventor: David C. Elliott, 650 Summit Ave., Hagerstown, Md. 21740

Primary Examiner—Lado Vales
Attorney, Agent, or Firm—Larson & Taylor

[**] Term: 14 Years

[57] CLAIM

[21] Appl. No.: 852,920

The ornamental design for a combined clothes tree and nightlight, as shown.

[22] Filed: Apr. 16, 1986

DESCRIPTION

[52] U.S. Cl. D6/412

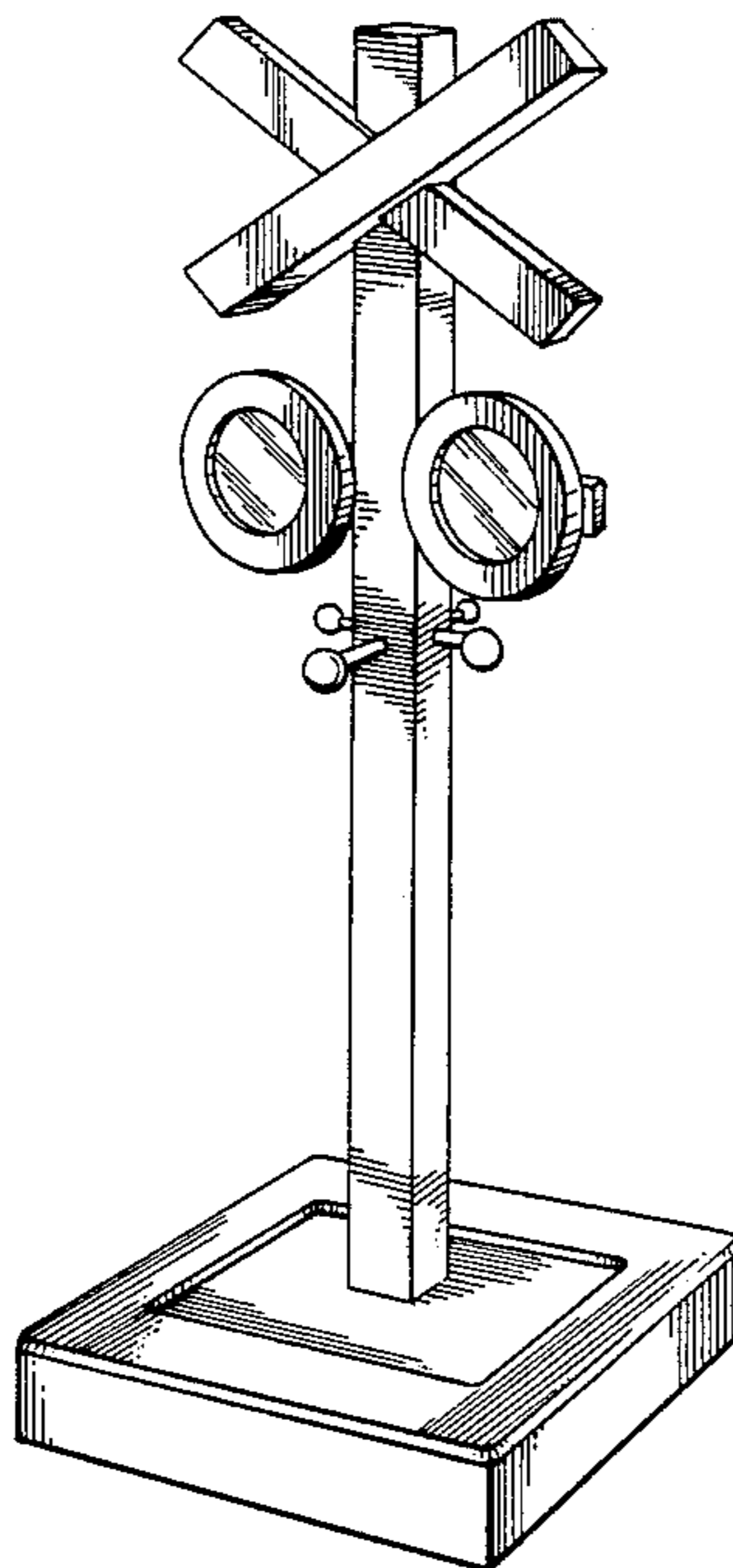
[58] Field of Search D6/411, 412, 413, 415, D6/414, 450, 399; D10/115; D26/57, 94; 211/13, 205

FIG. 1 is a perspective view of my combined clothes tree and nightlight showing my new design; FIG. 2 is a front elevational view; FIG. 3 is a rear elevational view; FIG. 4 is a right side elevational view; FIG. 5 is a left side elevational view; FIG. 6 is a top plan view; and FIG. 7 is a bottom plan view.

[56] References Cited

U.S. PATENT DOCUMENTS

D. 42,684 7/1912 Buyer D6/450



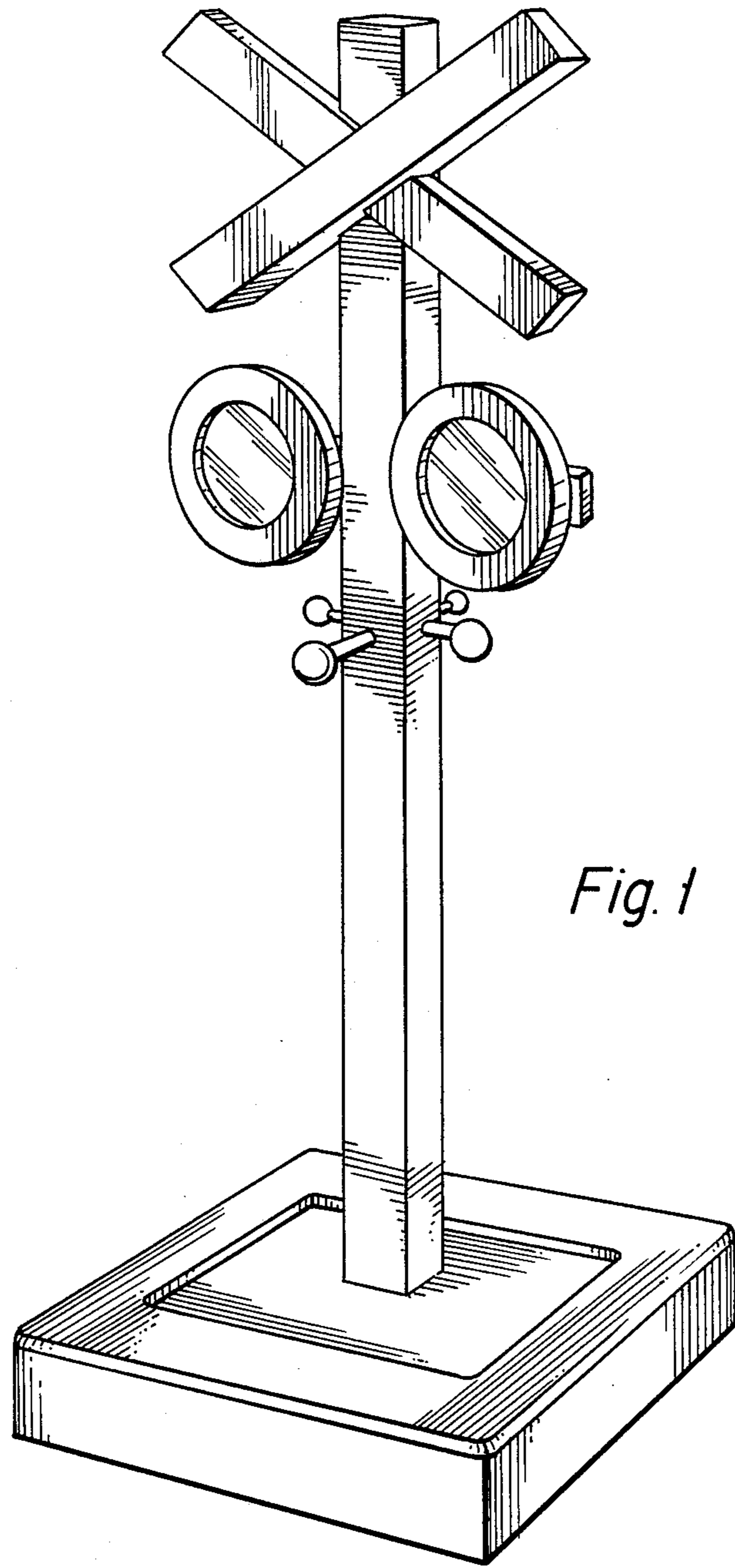


Fig. 1

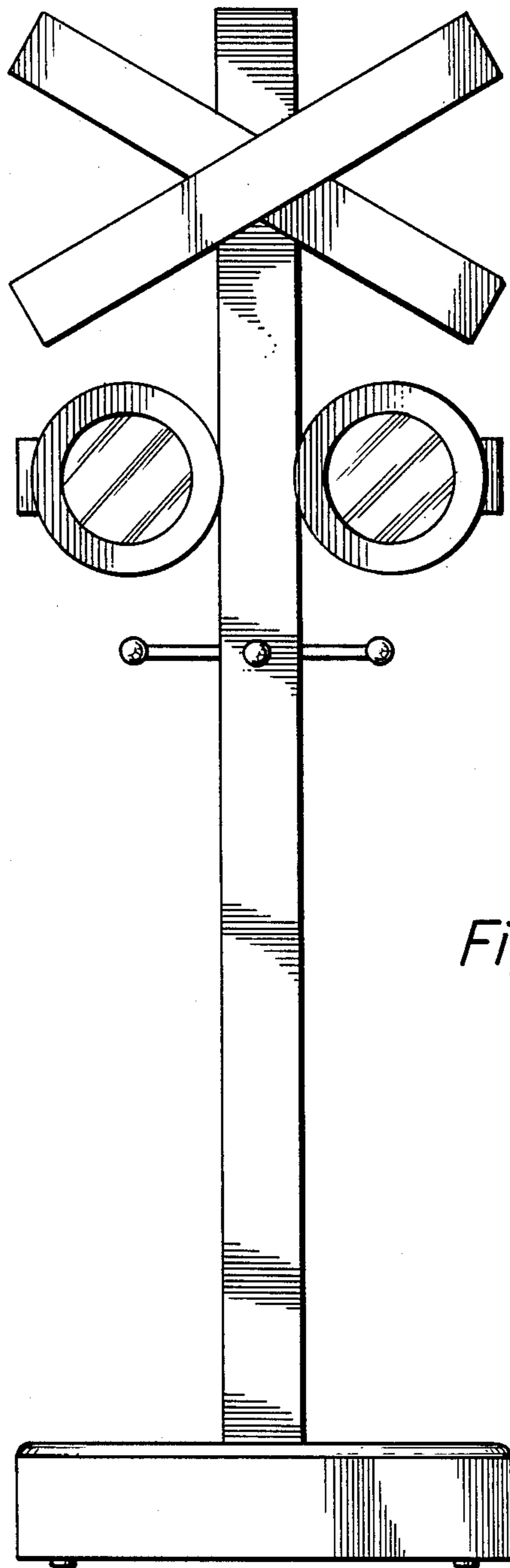


Fig. 2

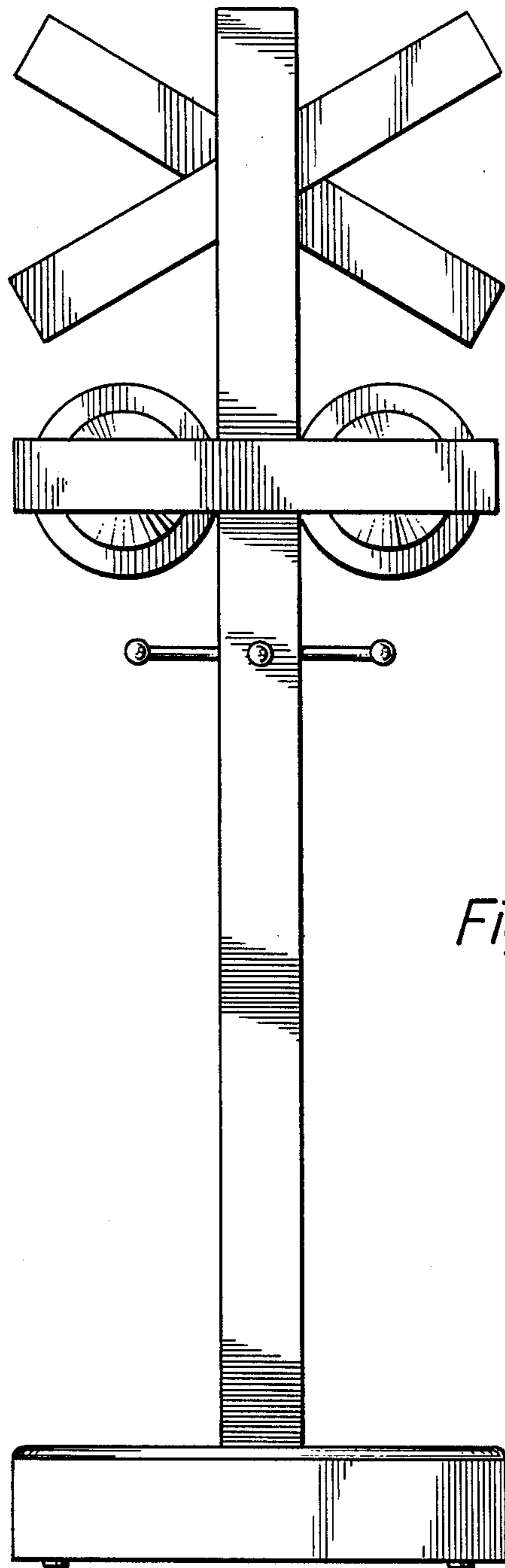


Fig. 3

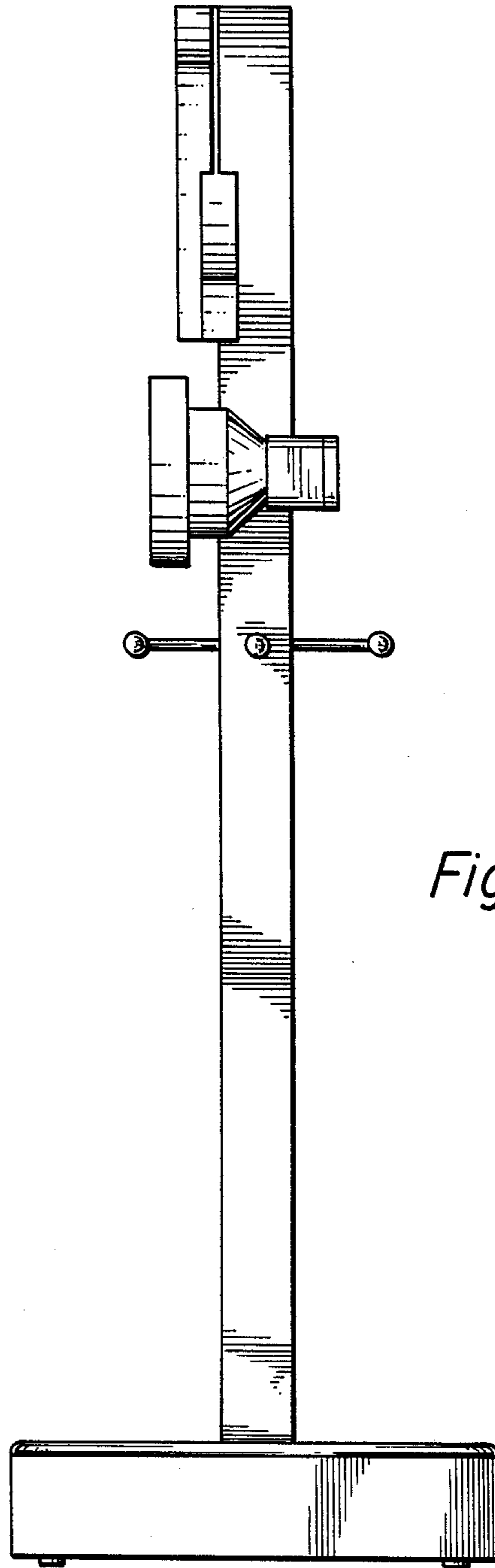


Fig. 4

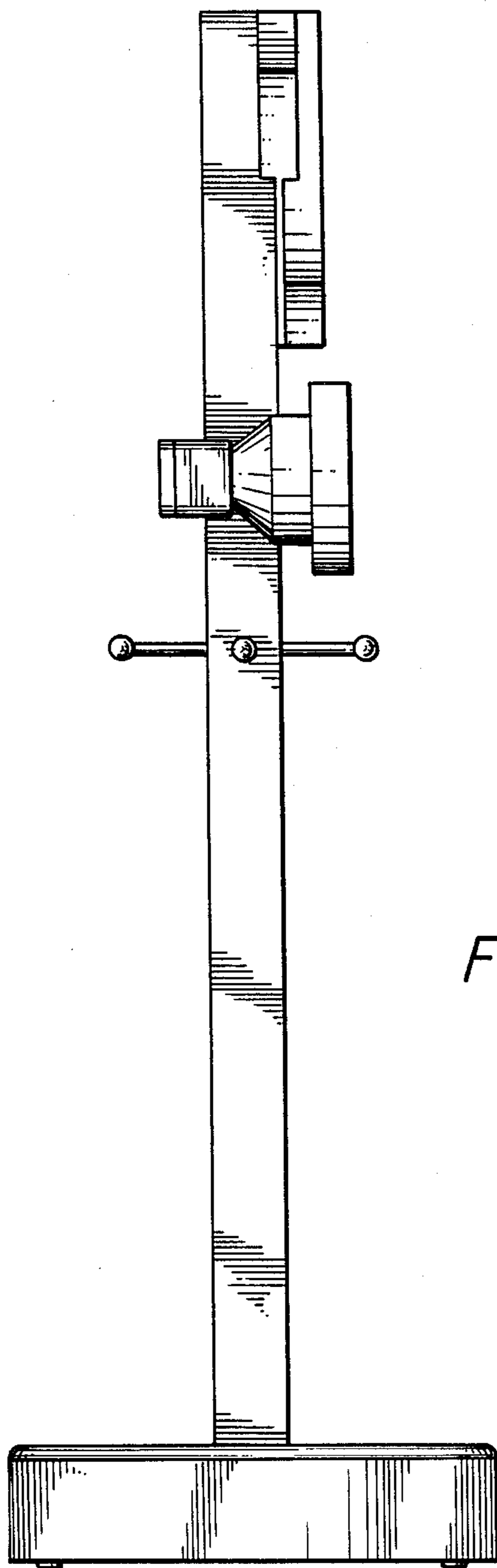


Fig. 5

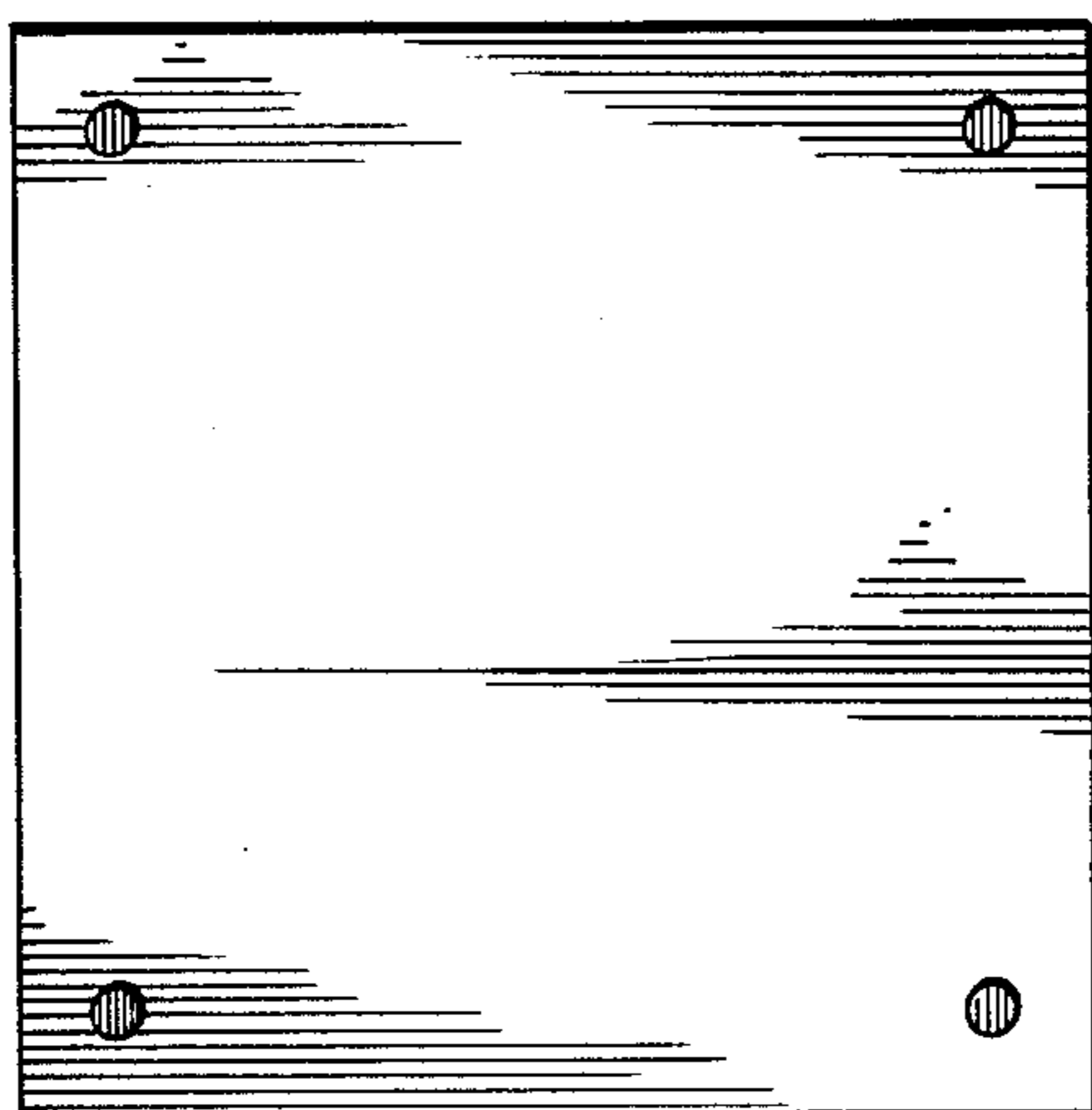


Fig. 7

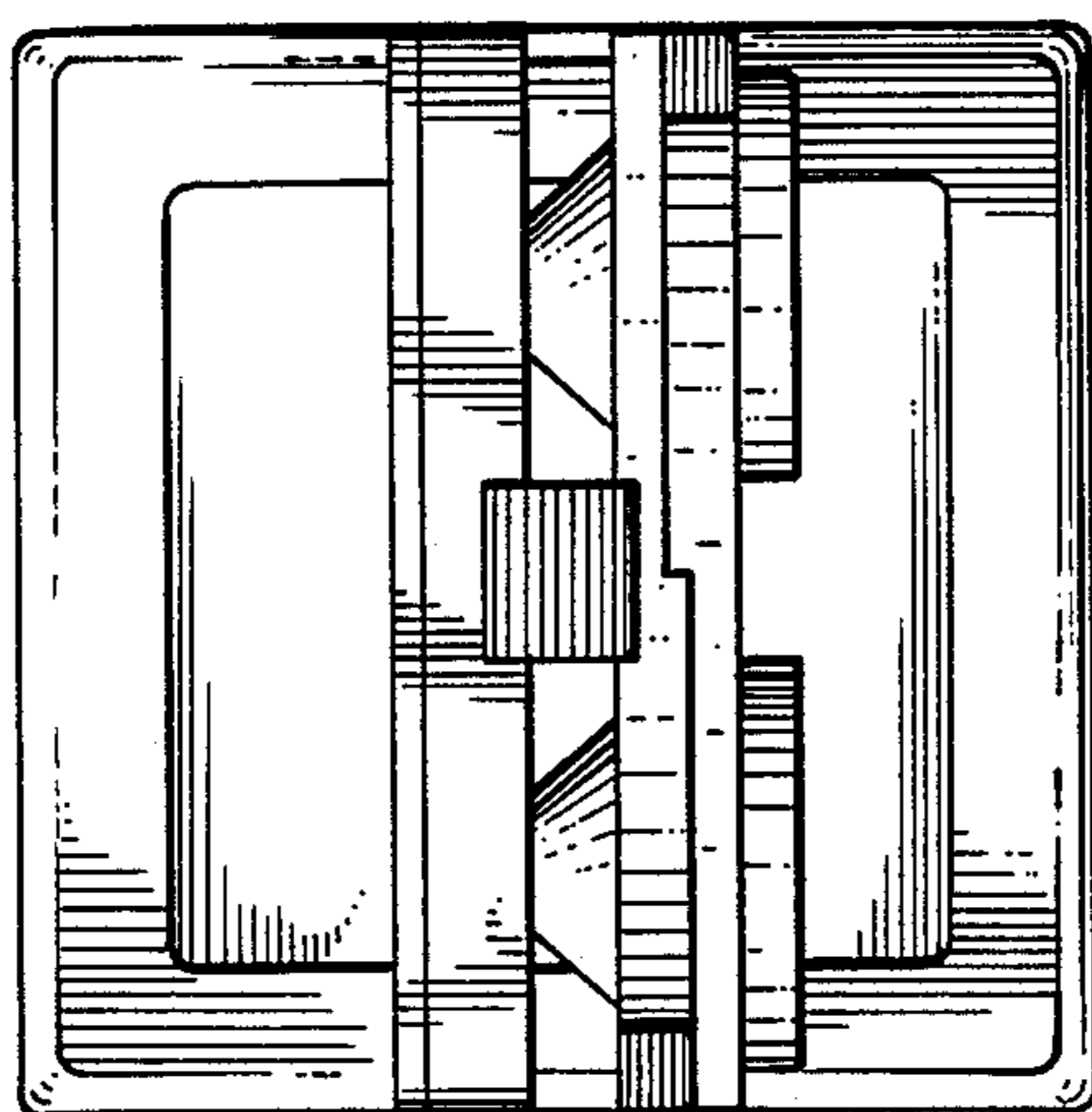


Fig. 6