

[54] **COMBINED CLOTHES TREE AND NIGHTLIGHT**

[76] **Inventor: David C. Elliott, 650 Summit Ave., Hagerstown, Md. 21740**

[**] **Term: 14 Years**

[21] **Appl. No.: 852,897**

[22] **Filed: Apr. 16, 1986**

[52] **U.S. Cl. D6/412**

[58] **Field of Search D6/411, 412, 413, 414, D6/415, 455, 399; D20/7; D26/57, 94; 211/13, 205**

[56] **References Cited**

U.S. PATENT DOCUMENTS

- D. 42,684 7/1912 Buxer D6/450
- D. 127,028 5/1941 Warren D6/399
- D. 282,857 3/1986 Schwarzli D20/7

OTHER PUBLICATIONS

TWA Flight Shop Gift Catalogue 9th ed. ©1973, p. 16; Gumball Lamp; far left on page.

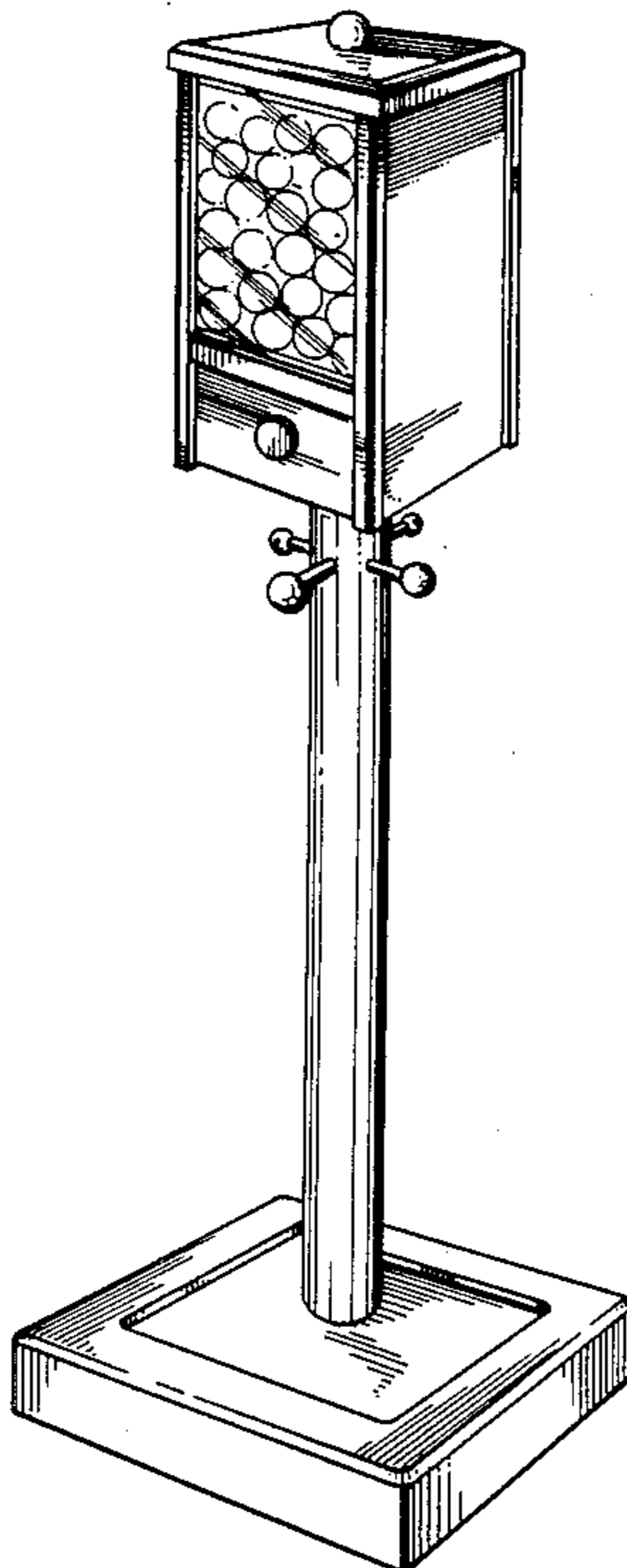
Primary Examiner—Carmen H. Vales-Lado
Attorney, Agent, or Firm—Larson & Taylor

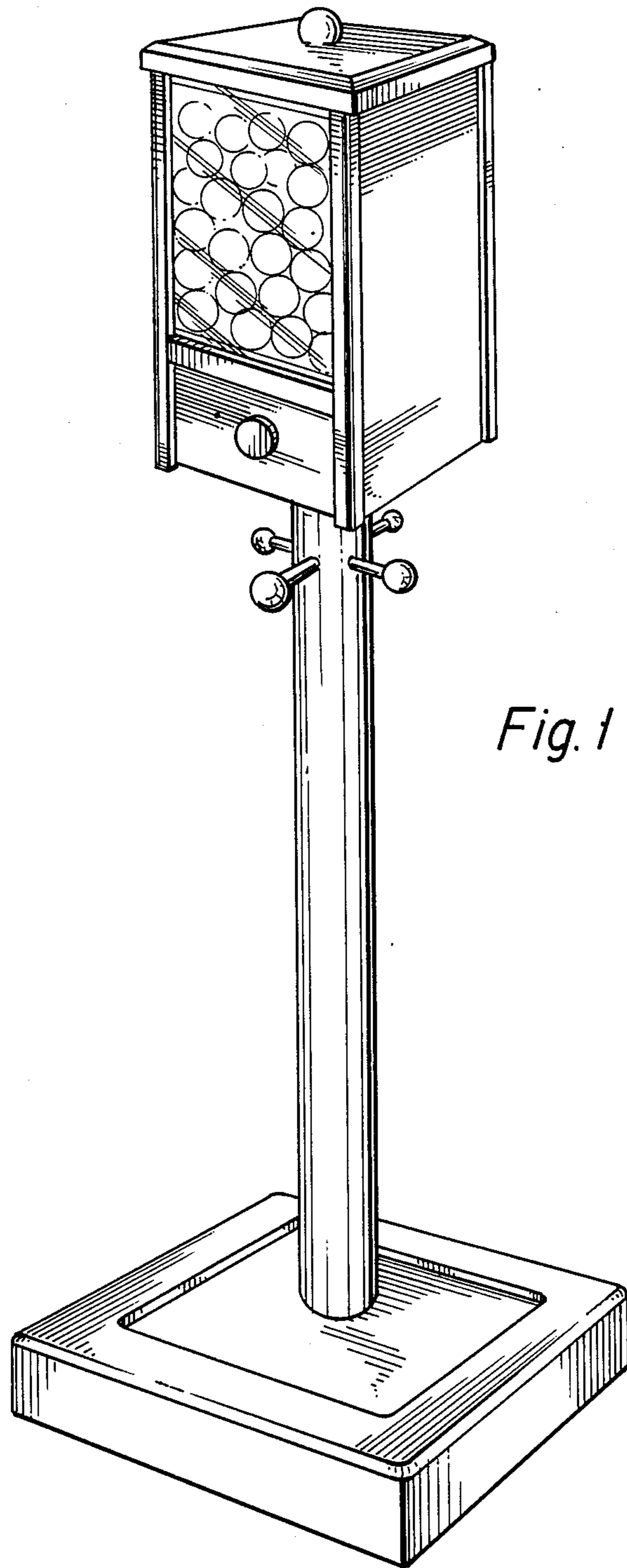
[57] **CLAIM**

The ornamental design for a combined clothes tree and nightlight, as shown.

DESCRIPTION

FIG. 1 is a perspective view of my combined clothes tree and nightlight showing my new design; FIG. 2 is a front elevational view; FIG. 3 is a right side elevational view; FIG. 4 is a rear elevational view; FIG. 5 is a top plan view; and FIG. 6 is a bottom plan view.





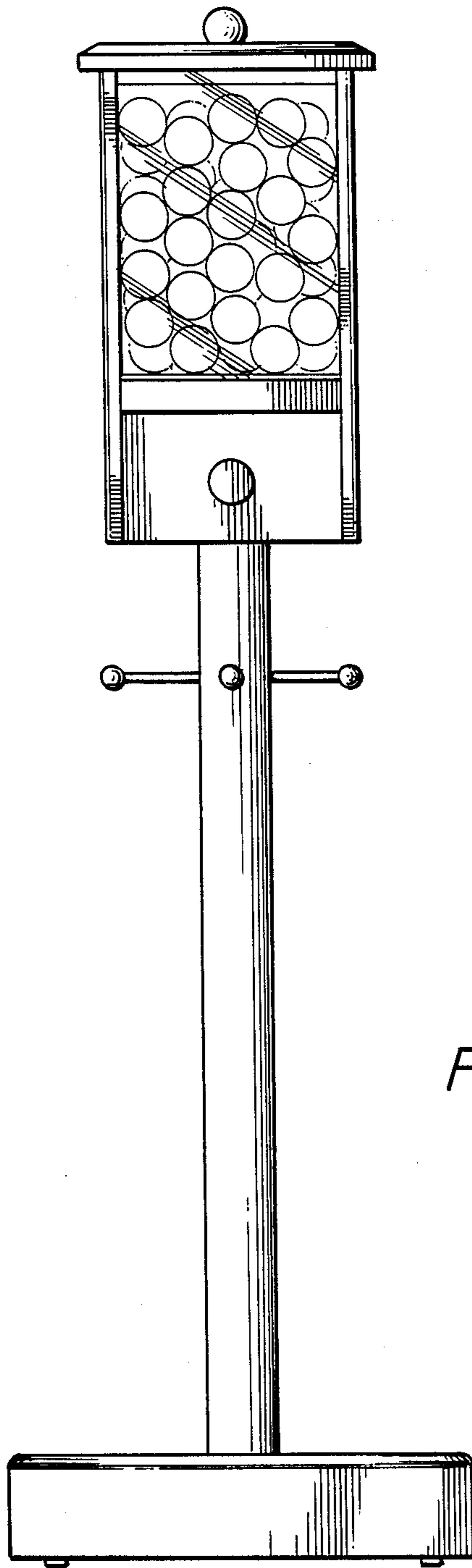


Fig. 2

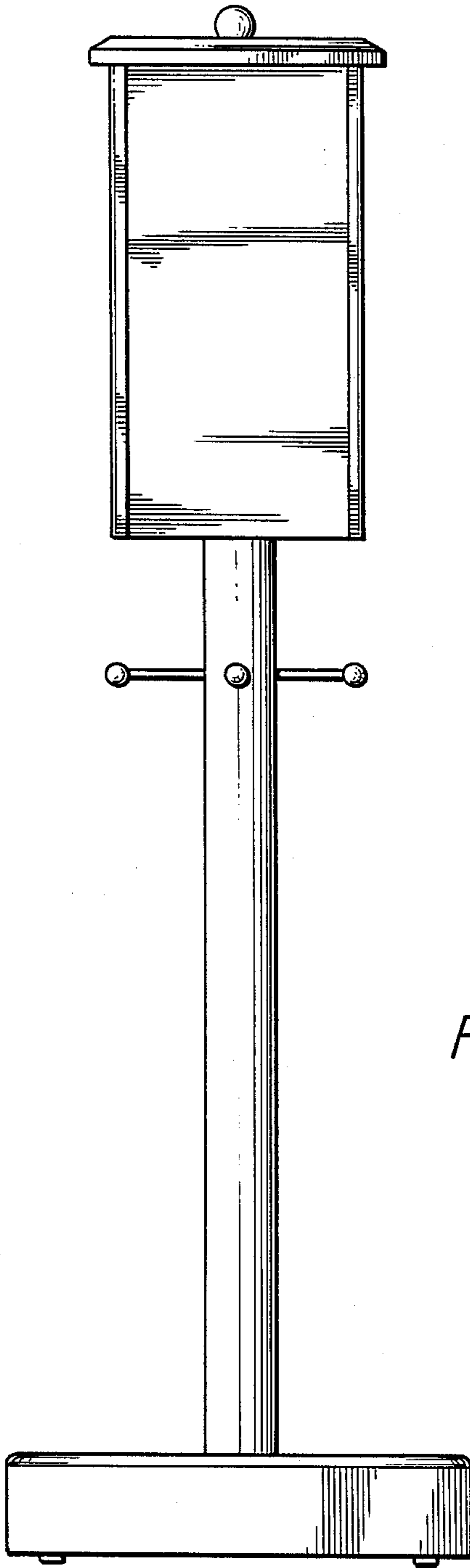


Fig. 3

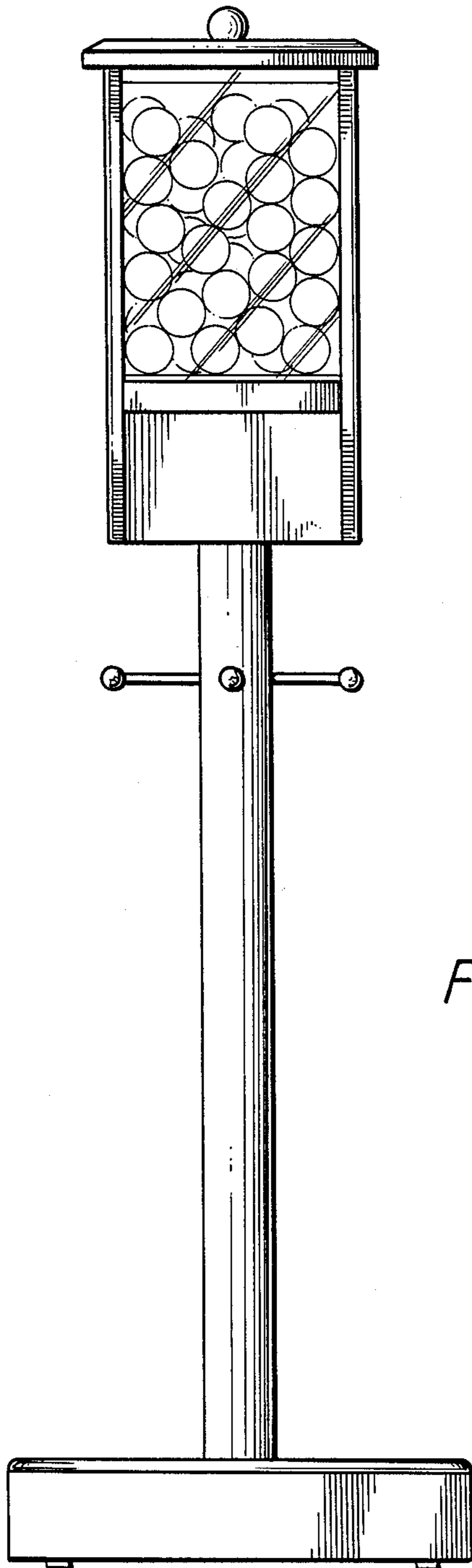


Fig. 4

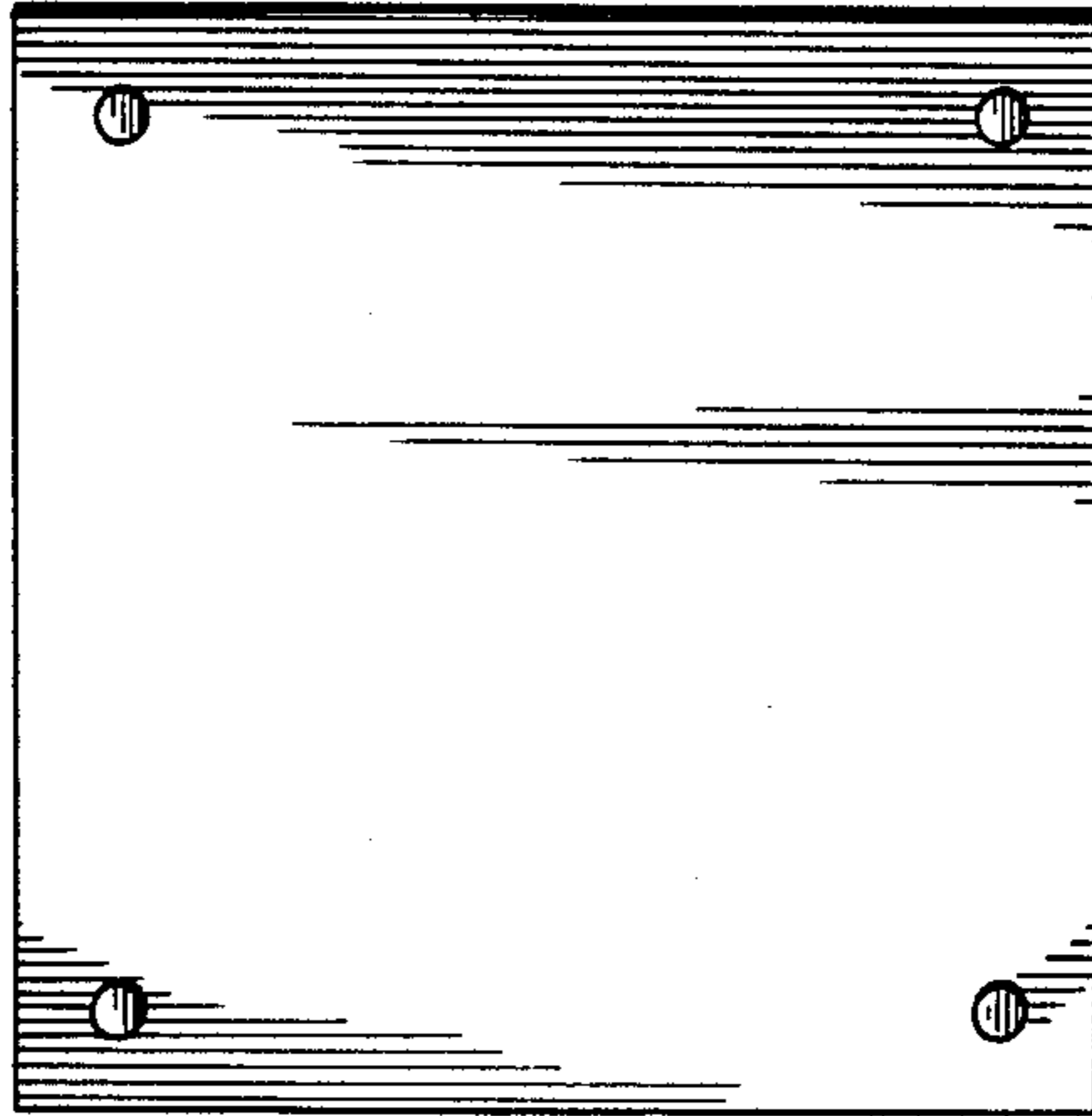


Fig. 6

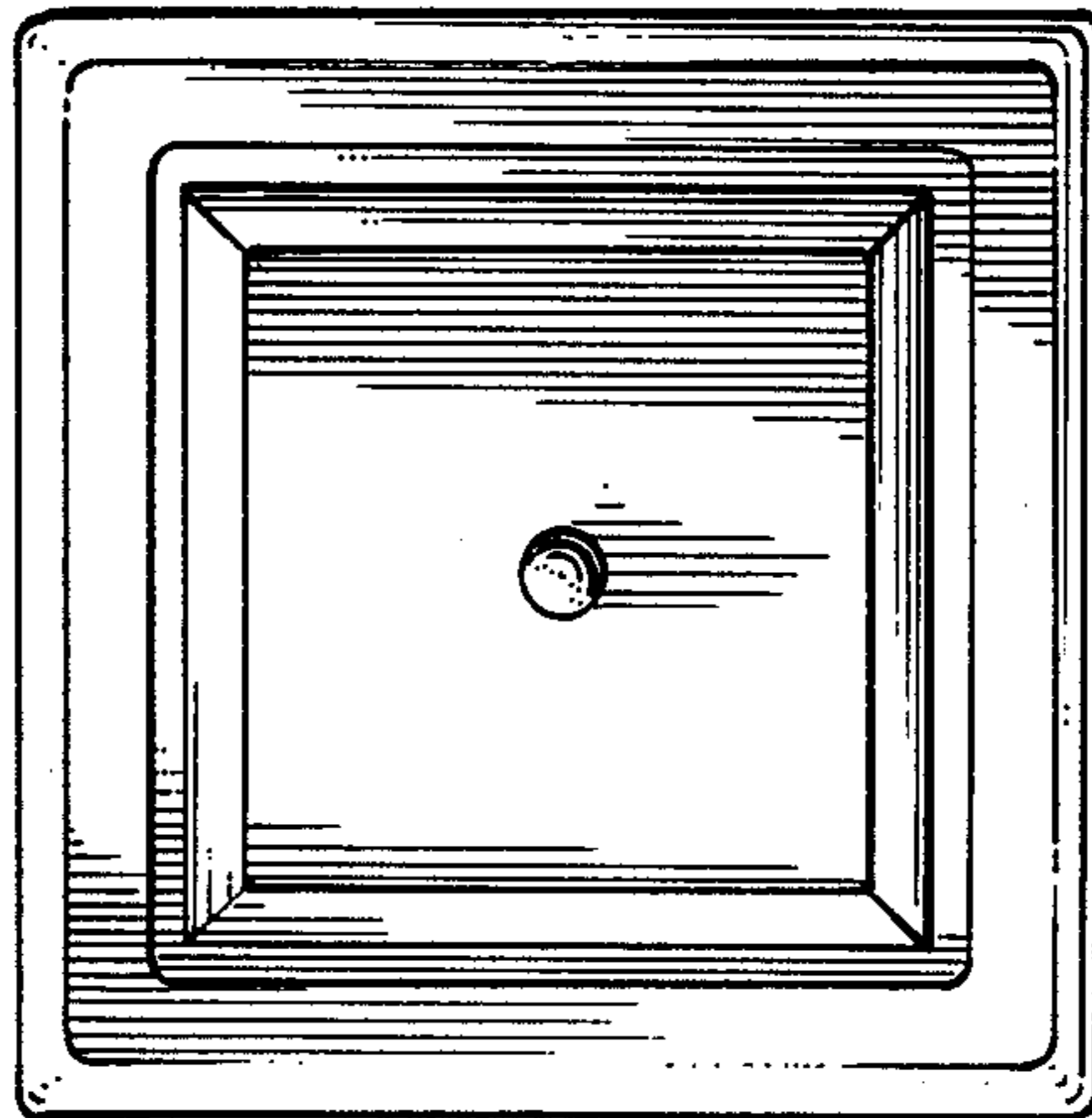


Fig. 5