

[54] CHAISE LOUNGE

[75] Inventor: Paul R. Goldman, 8 Joyce Terr. Andover, Mass. 01810

[73] Assignee: Paul R. Goldman, Andover, Mass.

[*] Notice: The portion of the term of this patent subsequent to Oct. 20, 2001 has been disclaimed.

[**] Term: 14 Years

[21] Appl. No.: 819,724

[22] Filed: Jan. 17, 1986

[52] U.S. Cl. D6/361; D6/367

[58] Field of Search D6/361, 367, 368

[56] References Cited

U.S. PATENT DOCUMENTS

D. 237,673 11/1975 Uchida D6/368

D. 292,350 10/1987 Goldman D6/361

Primary Examiner—Carmen H. Vales-Lado
Attorney, Agent, or Firm—Hale and Dorr

[57] CLAIM

The ornamental design for a chaise lounge, as shown and described.

DESCRIPTION

FIG. 1 is a front perspective view of a chaise lounge showing my new design in a semi-reclined position; FIG. 2 is a side elevational view in a fully reclined position; FIG. 3 is a side elevational view in a semi-reclined position; FIG. 4 is a side elevational view in its normal position for use; FIG. 5 is a front elevational view thereof; FIG. 6 is a rear elevational view thereof; FIG. 7 is a top plan view thereof; and, FIG. 8 is a bottom plan view thereof.





FIG. 1

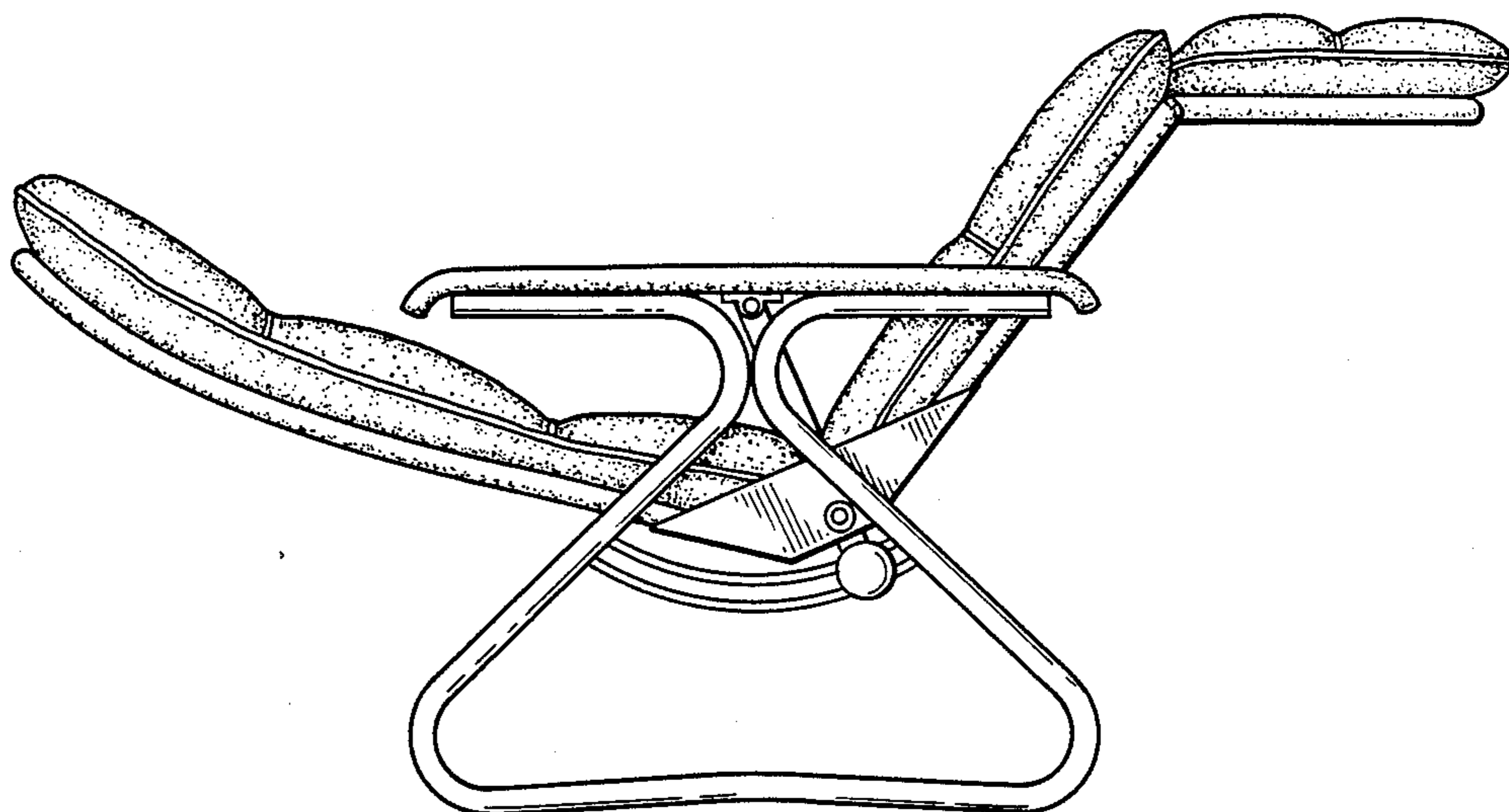


FIG. 2

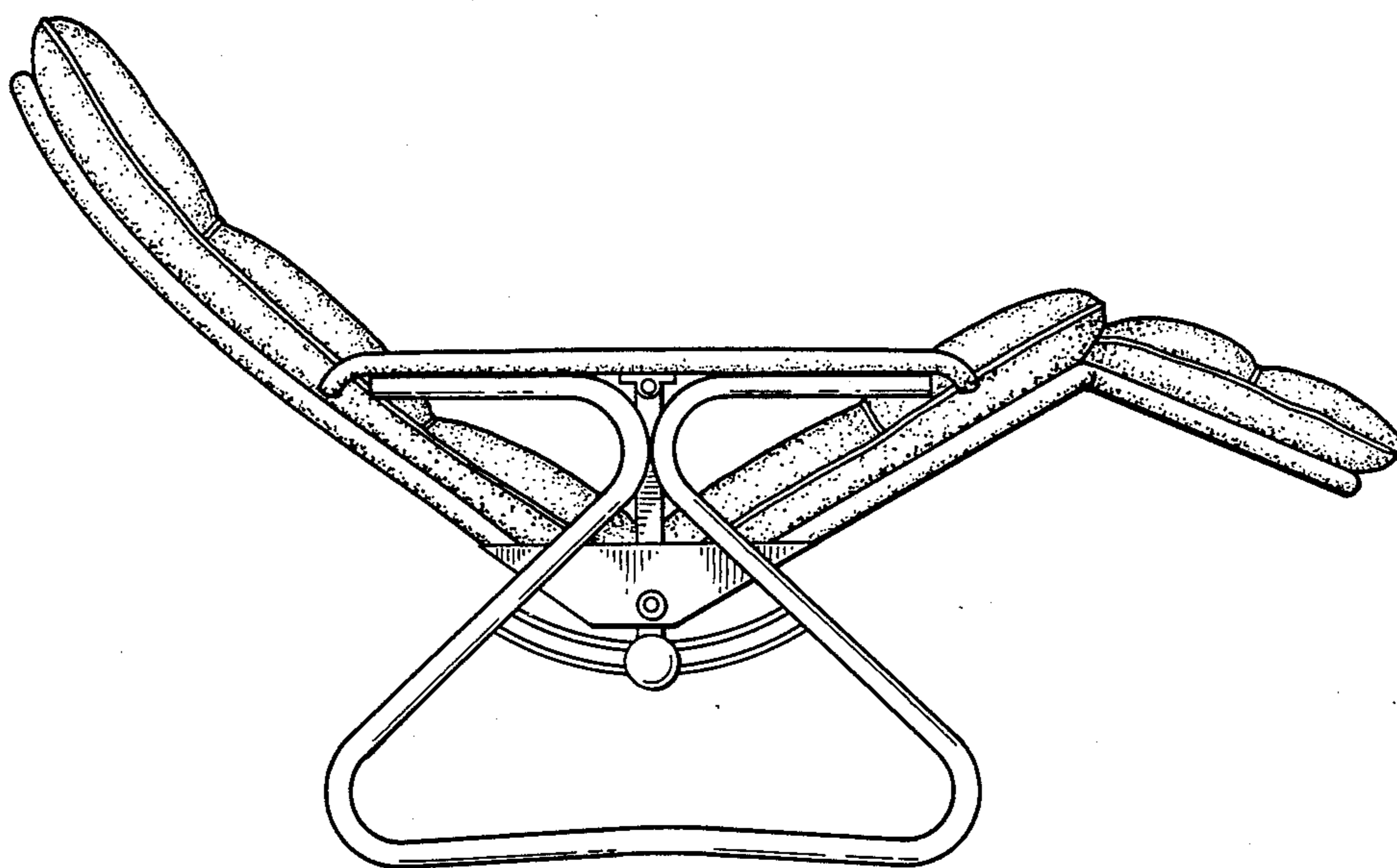


FIG. 3

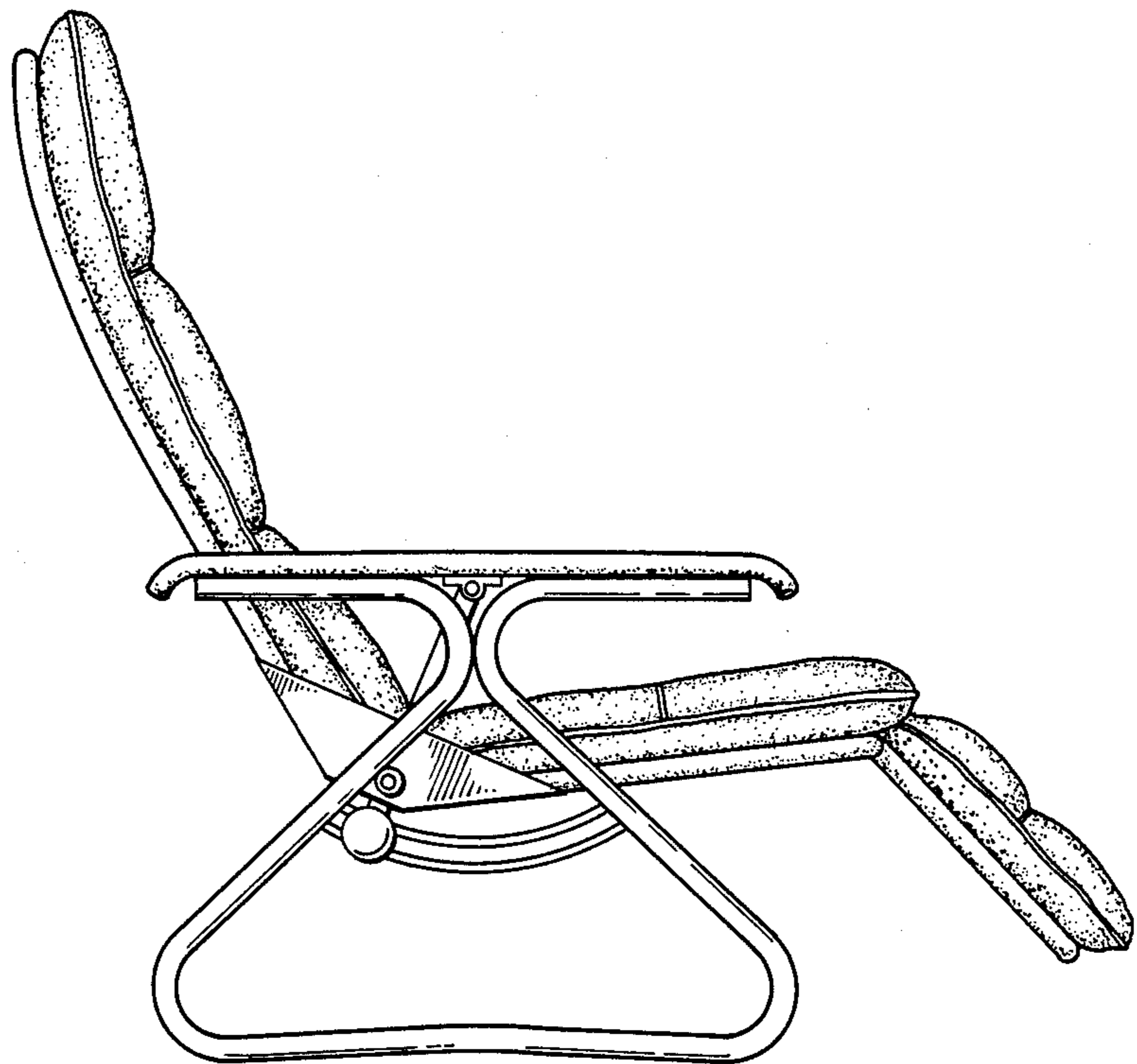


FIG. 4

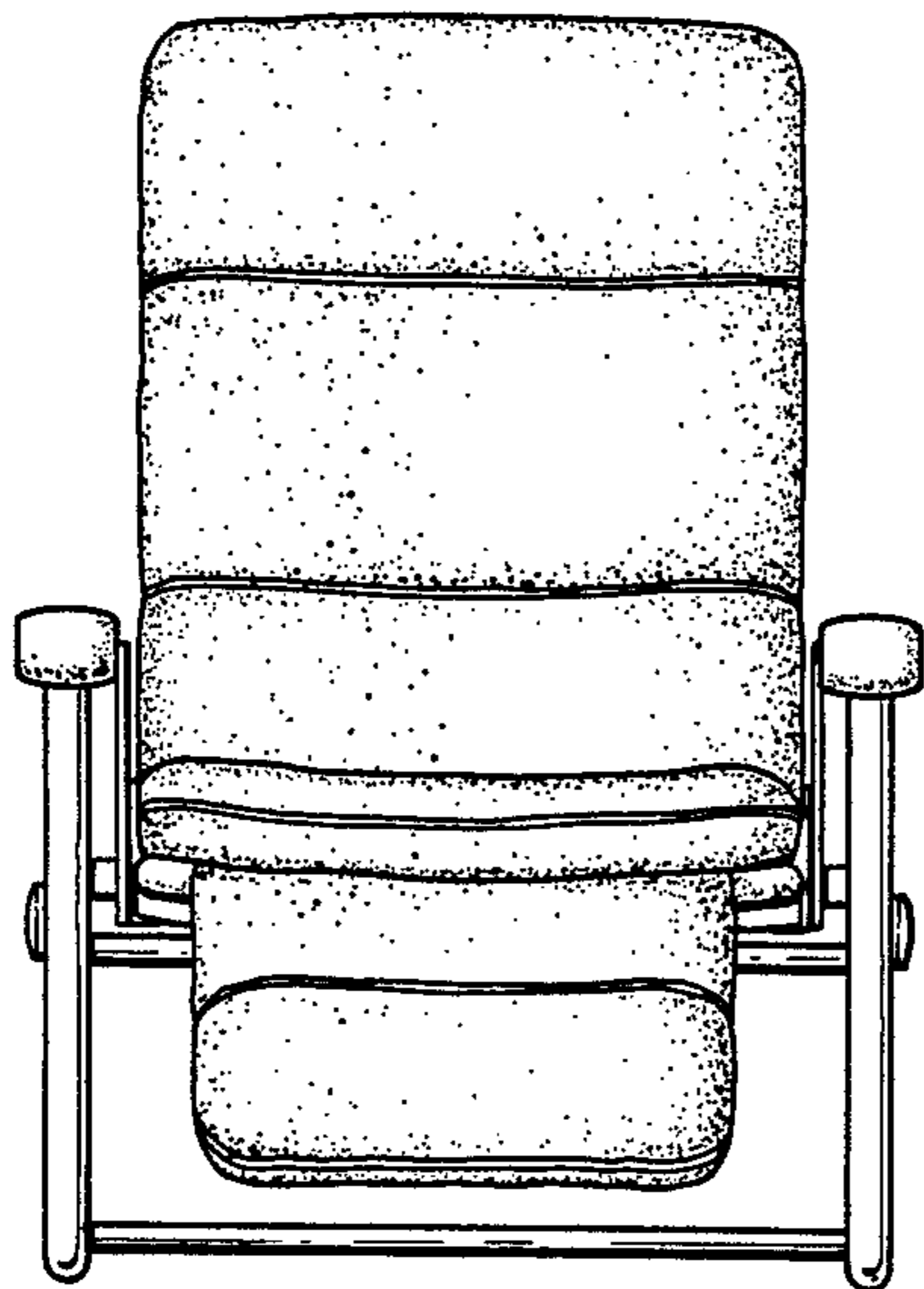


FIG. 5

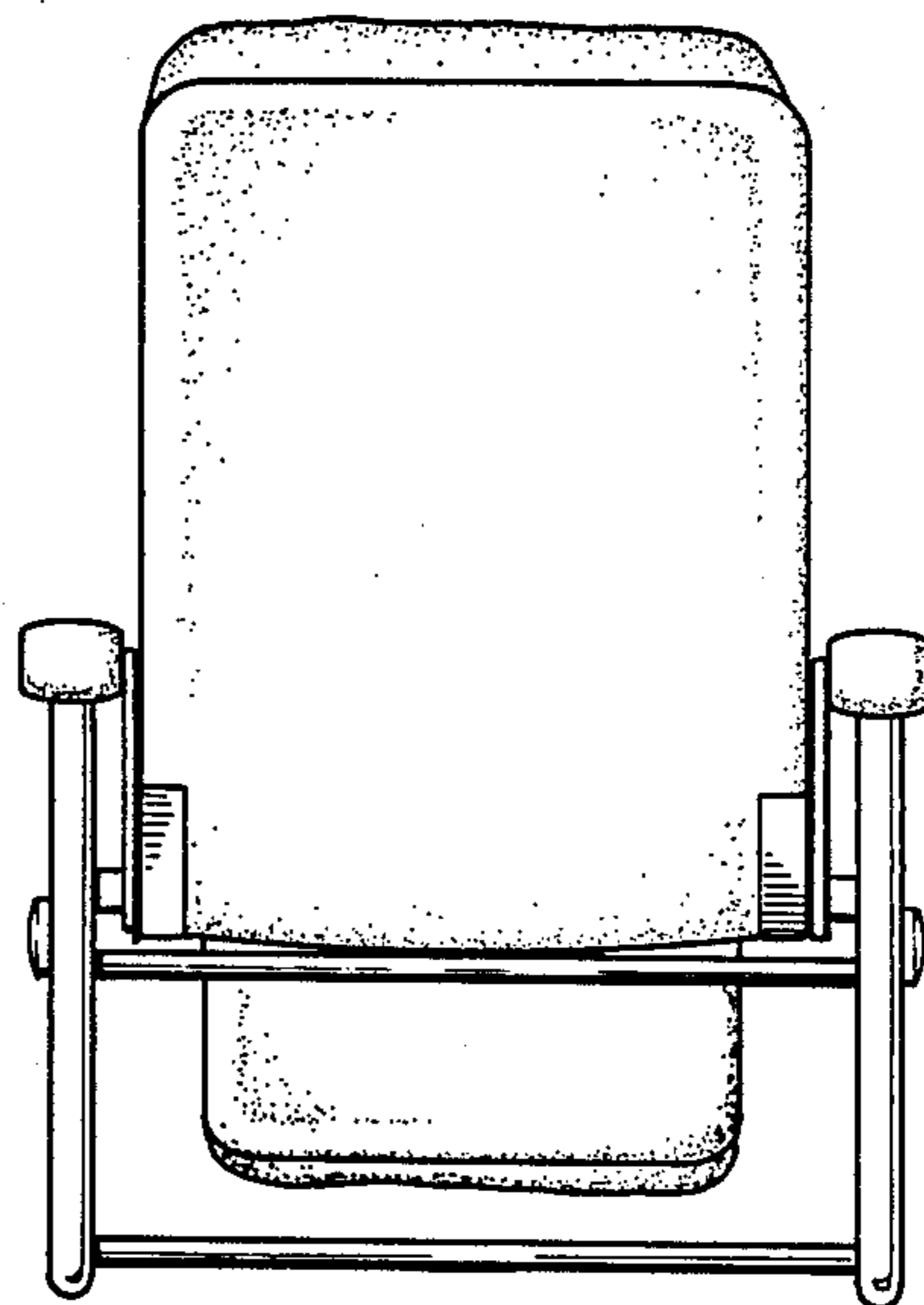


FIG. 6

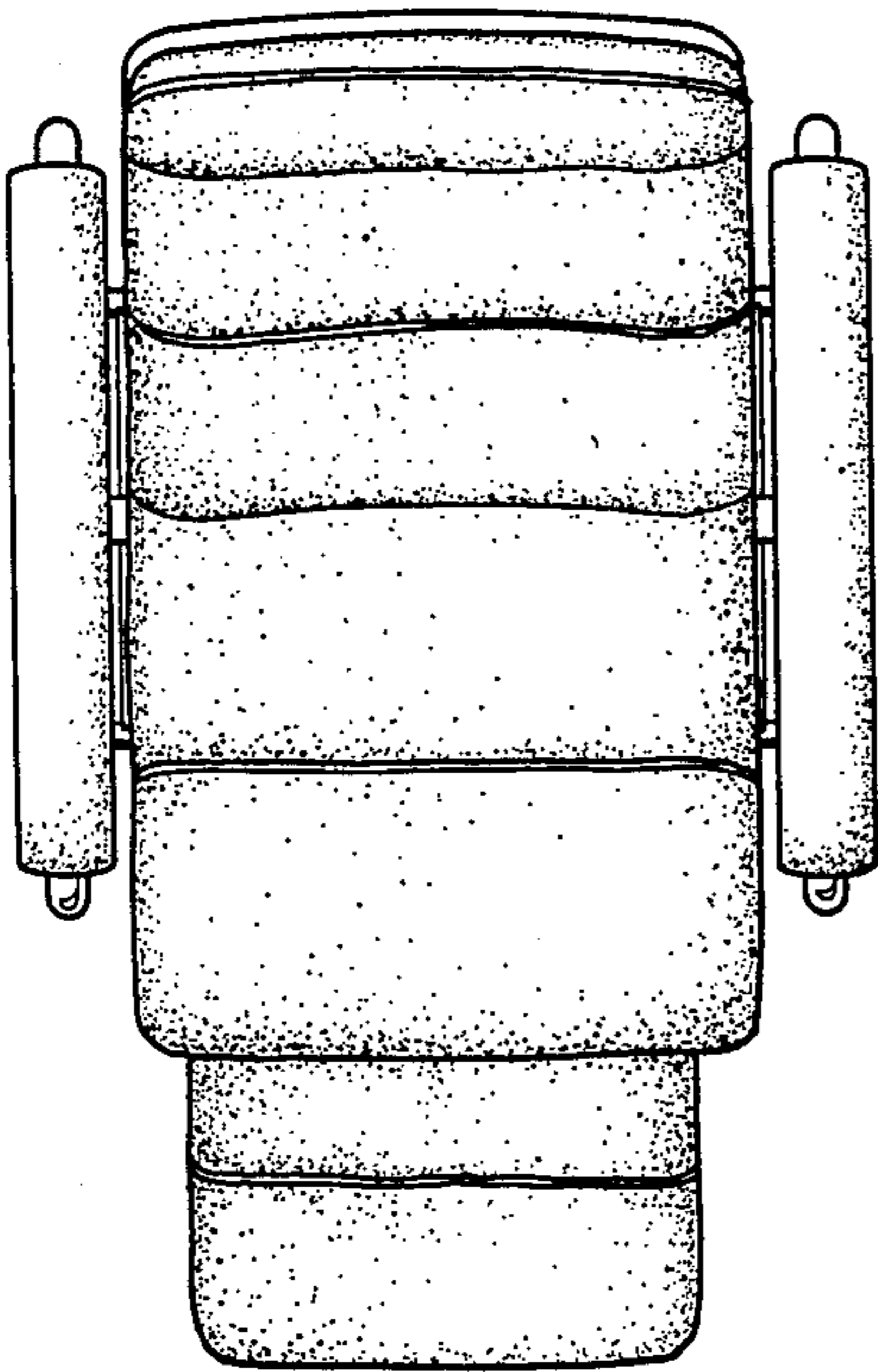


FIG. 7

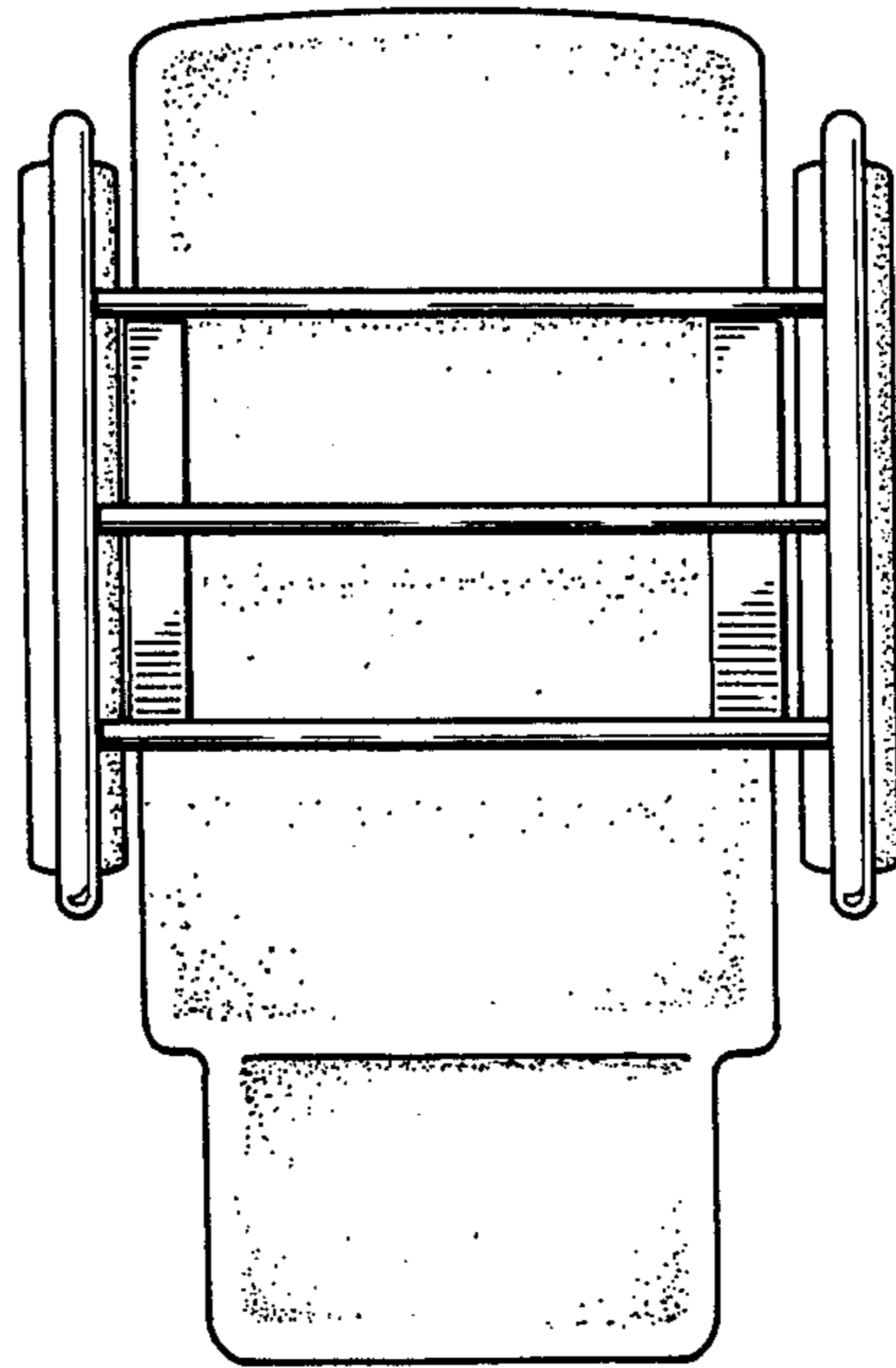


FIG. 8