

[54] CANOE CADDY

[76] Inventor: Peter B. Weale, P.O. Box 59, 1931 Highway 7 West, Concord, Ontario, L4K 1B2, Canada

[\*\*] Term: 14 Years

[21] Appl. No.: 15,182

[22] Filed: Feb. 13, 1987

[30] Foreign Application Priority Data

Aug. 15, 1986 [CA] Canada ..... 15-08-86-3

[52] U.S. Cl. .... D34/24; D34/28

[58] Field of Search ..... D34/12, 24, 26, 23, D34/28; 280/47.13 B, 42, 47.27, 43.16; 114/344

[56] References Cited

U.S. PATENT DOCUMENTS

- D. 223,343 4/1972 Kirkpatrick ..... D34/24
- D. 295,101 4/1988 Tuggle ..... D34/24
- 3,188,108 6/1965 Davis ..... 280/47.13 B

- 4,396,343 8/1983 Brewer, Jr. .... 280/47.13 B
- 4,538,829 9/1985 Horowitz ..... 280/47.13 B
- 4,550,925 11/1985 McDonough ..... 280/47.13 B
- 4,579,357 4/1986 Webster ..... 280/47.13 B
- 4,712,803 12/1987 Garcia ..... D34/23

Primary Examiner—Wallace R. Burke

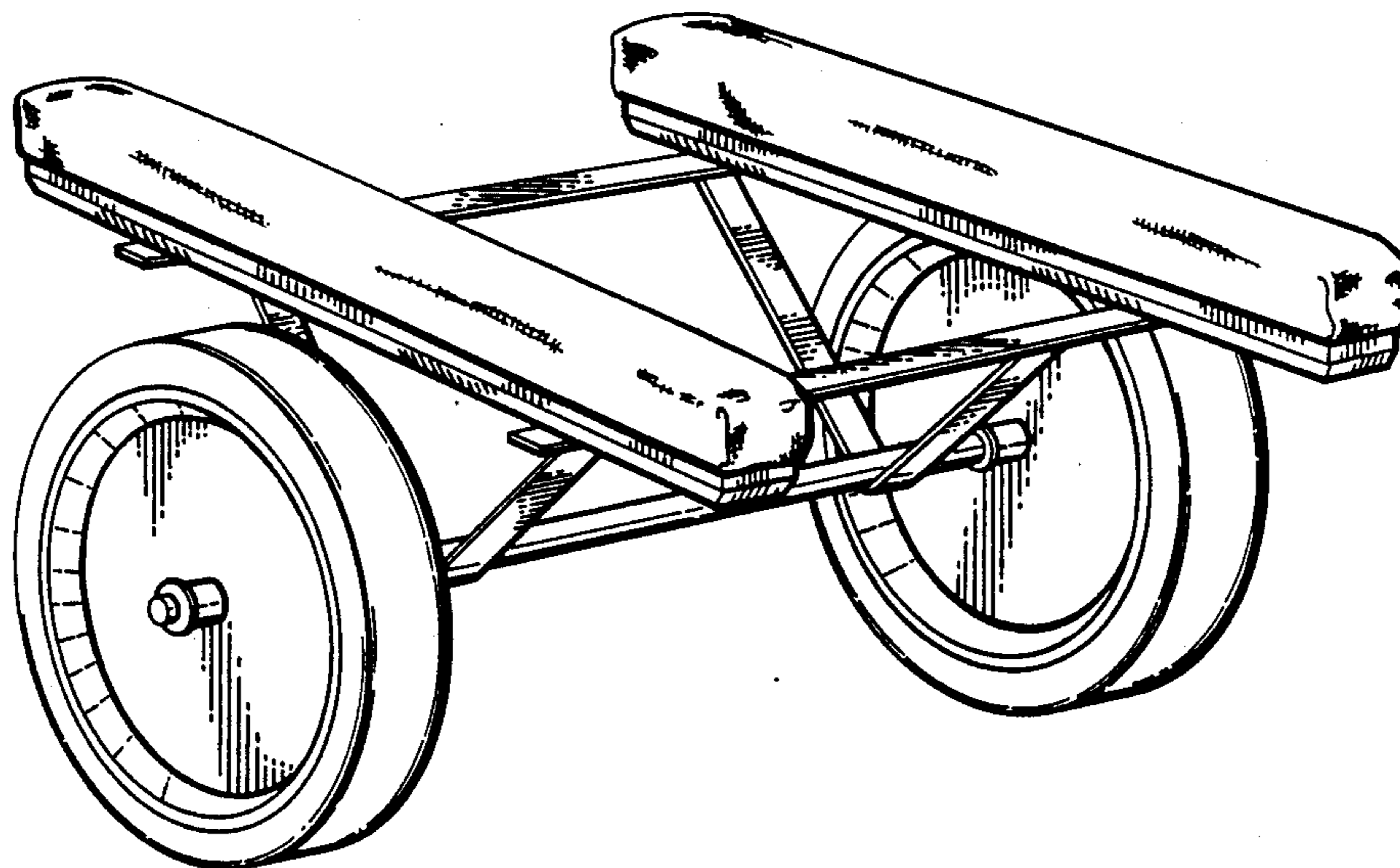
Assistant Examiner—Kay H. Chin

[57] CLAIM

The ornamental design for a canoe caddy, as shown and described.

DESCRIPTION

FIG. 1 is a perspective view of a canoe caddy showing my new design;  
 FIG. 2 is a top plan view thereof;  
 FIG. 3 is a bottom plan view thereof;  
 FIG. 4 is a side elevational view thereof, the opposite side elevational view being a mirror image of that shown; and  
 FIG. 5 is a front elevational view thereof, the rear elevational view being a mirror image of that shown.



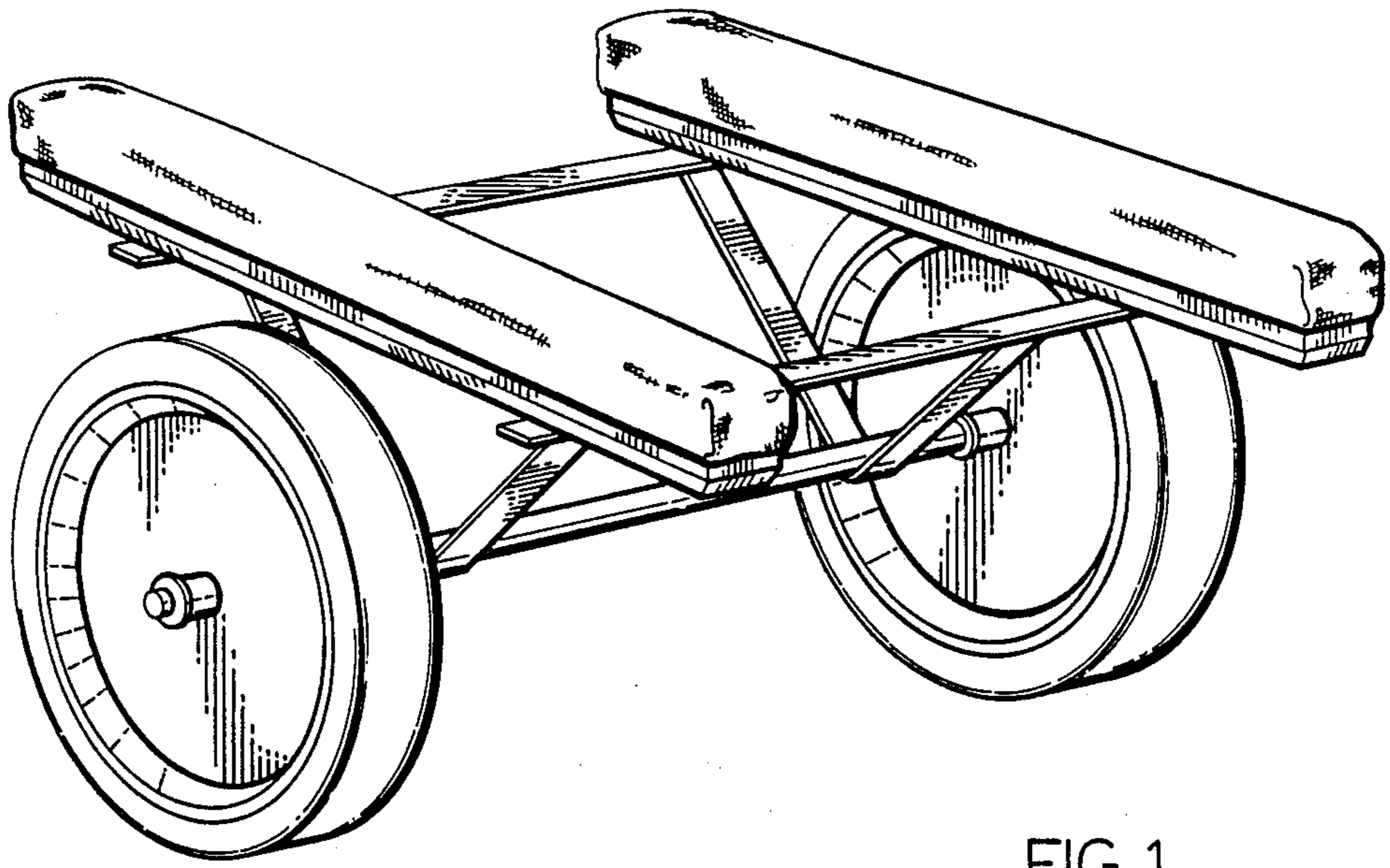


FIG. 1.

FIG. 2.

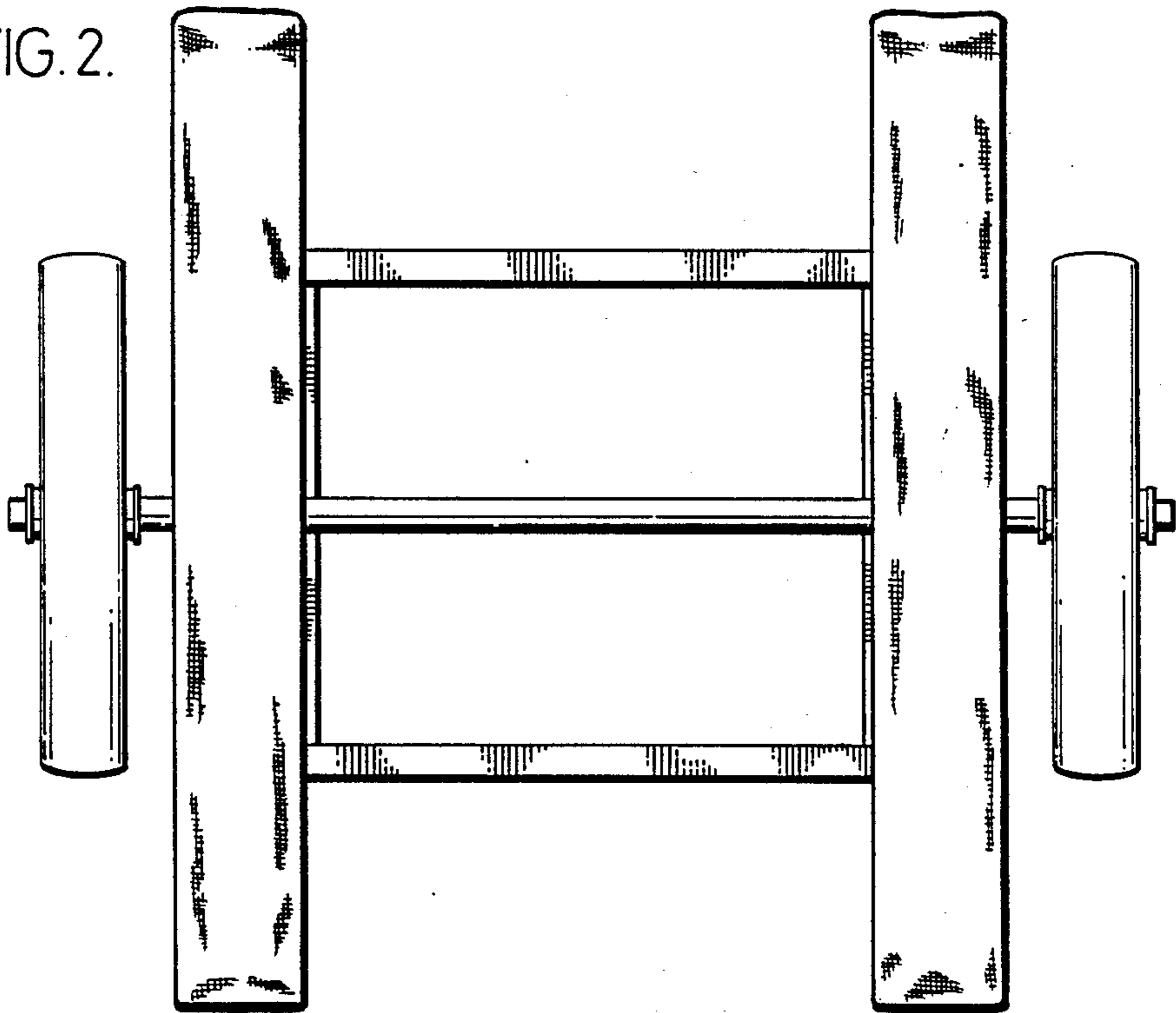


FIG. 3.

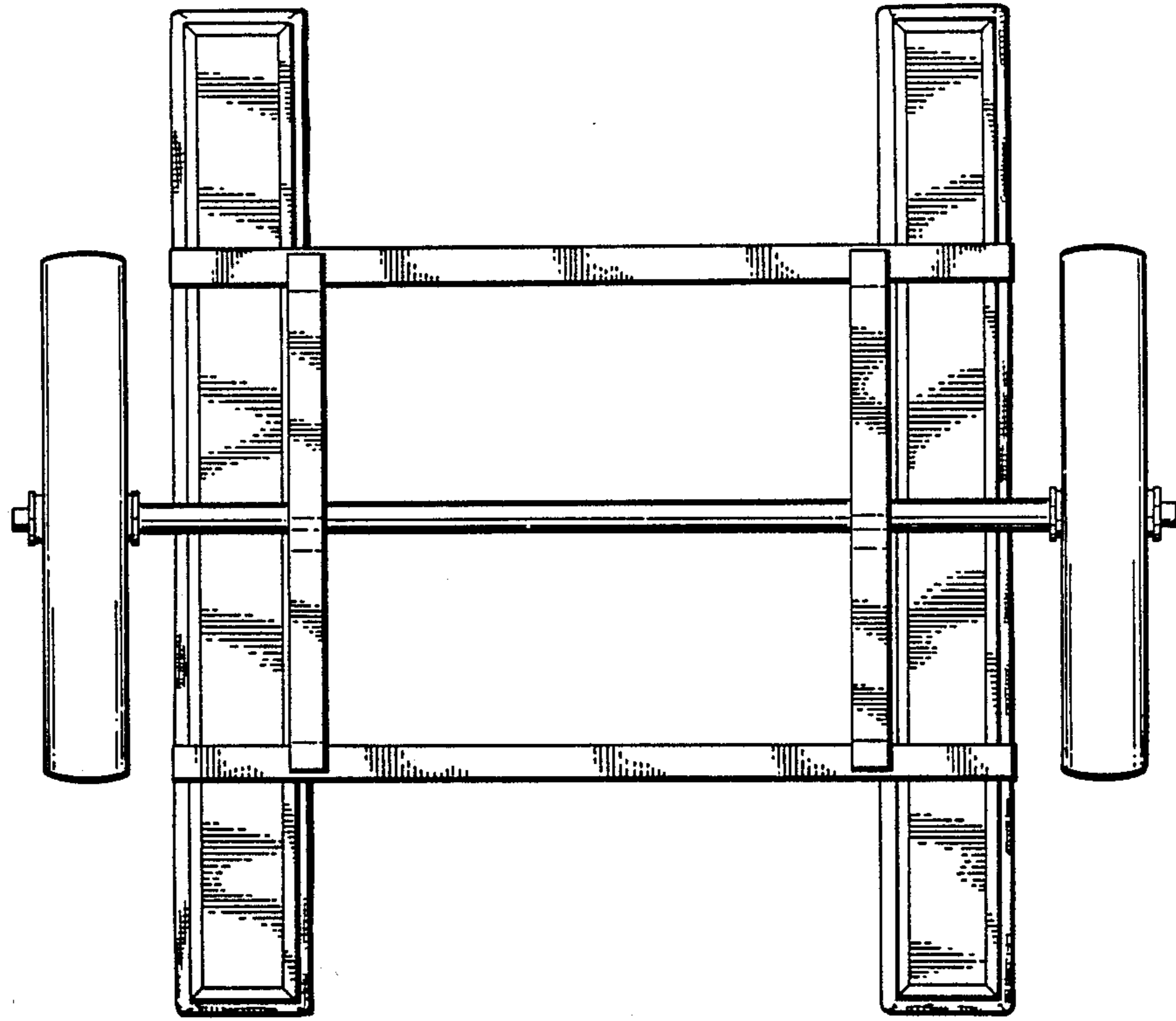


FIG. 4.

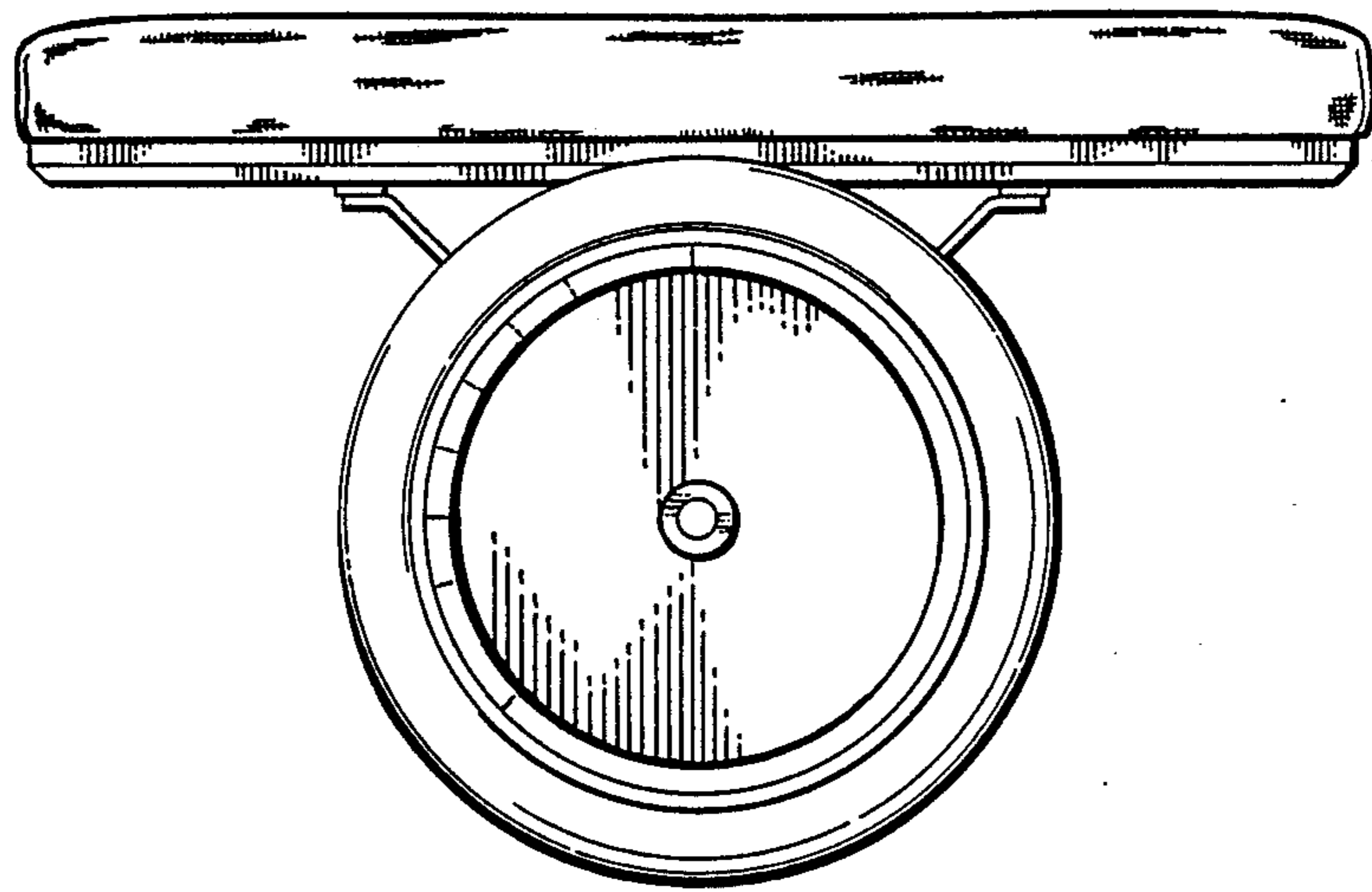


FIG. 5.

