

[54] **UTILITY CART**

[75] **Inventor: Paul E. Delmerico, Winchester, Va.**

[73] **Assignee: Rubbermaid Commercial Products, Winchester, Va.**

[\*\*] **Term: 14 Years**

[21] **Appl. No.: 1,670**

[22] **Filed: Jan. 8, 1987**

[52] **U.S. Cl. .... D34/20; D34/21**

[58] **Field of Search ..... D34/20, 21, 22, 23, D34/17, 12, 19; 280/79.3, 79.2, 79.1 R, 79.1 A, 47.19, 47.35, 47.34; 296/22; 108/59; 312/250**

[56] **References Cited PUBLICATIONS**

Ideal Food Conveyors, p. 10, Series 4000. Catalog-Rubbermaid Commercial Products, Inc., 3124 Valley Avenue, Winchester, Va., published 1986, p-2-4-26, 18, 19.  
Catalog p. 4, "Maid Carts" Forbes Co., 5860 Bandini Blvd., Los Angeles, CA, 90040, publ. 1981.

Catalog page "Service Trucks", Harloff Mfg. Co., Colorado Springs, Co. published 1976.

Catalog p. B-10, "Carpet Truck", Rol-Away Company, Inc., 6143 Foster Rd., Portland, Or. 97206, publ. 1978.

Catalog pp. 20-21, Plastic Carts, Continental Manufacturing Co., 123 By Assee Dr., Hazelwood, Mich. 63042, publ. 1985.

*Primary Examiner*—Wallace R. Burke

*Assistant Examiner*—Kay H. Chin

*Attorney, Agent, or Firm*—Richard B. O'Planick

[57] **CLAIM**

The ornamental design for a utility cart, as shown and described.

**DESCRIPTION**

FIG. 1 is a front perspective view of a utility cart embodying my new design.

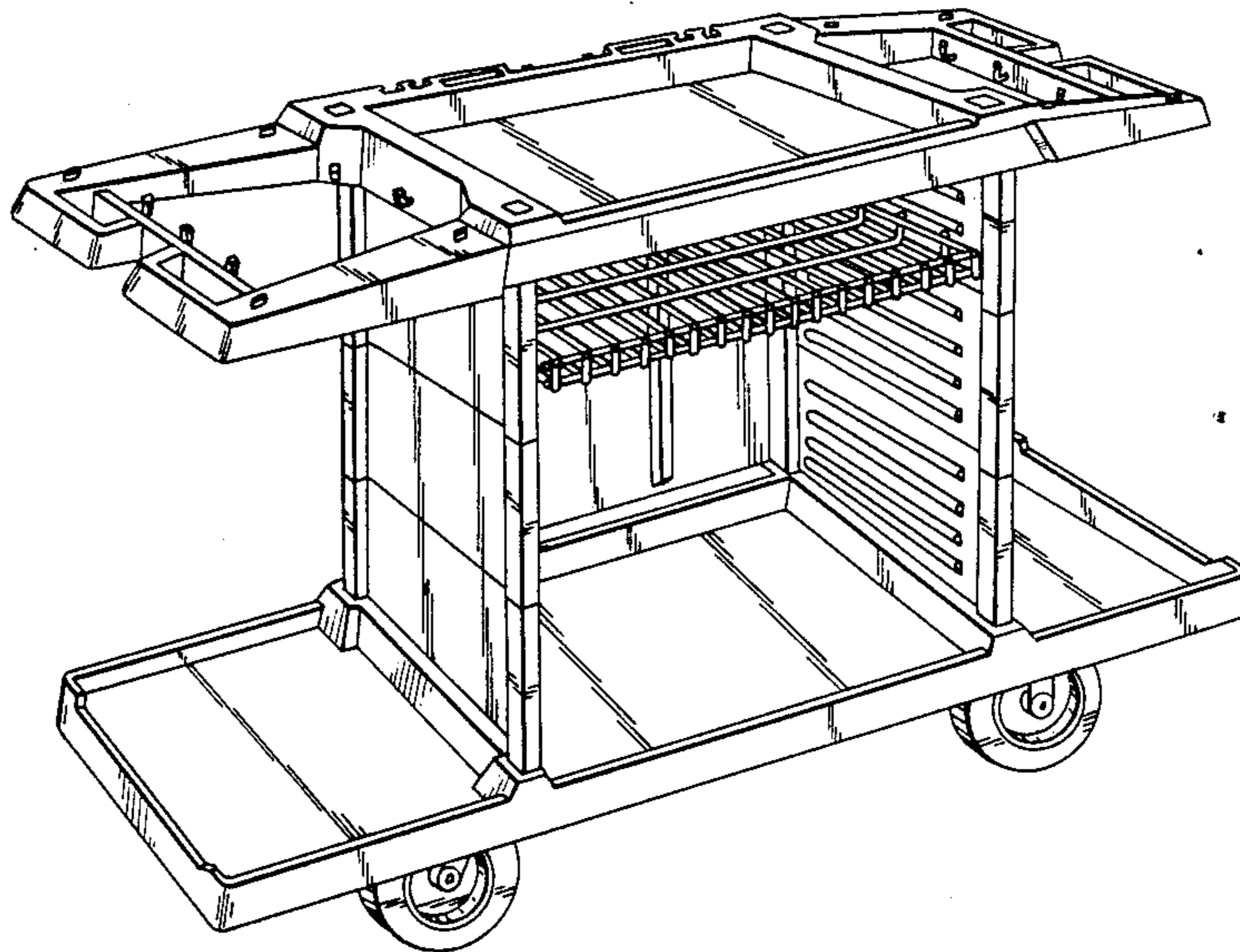
FIG. 2 is an end elevation view thereof.

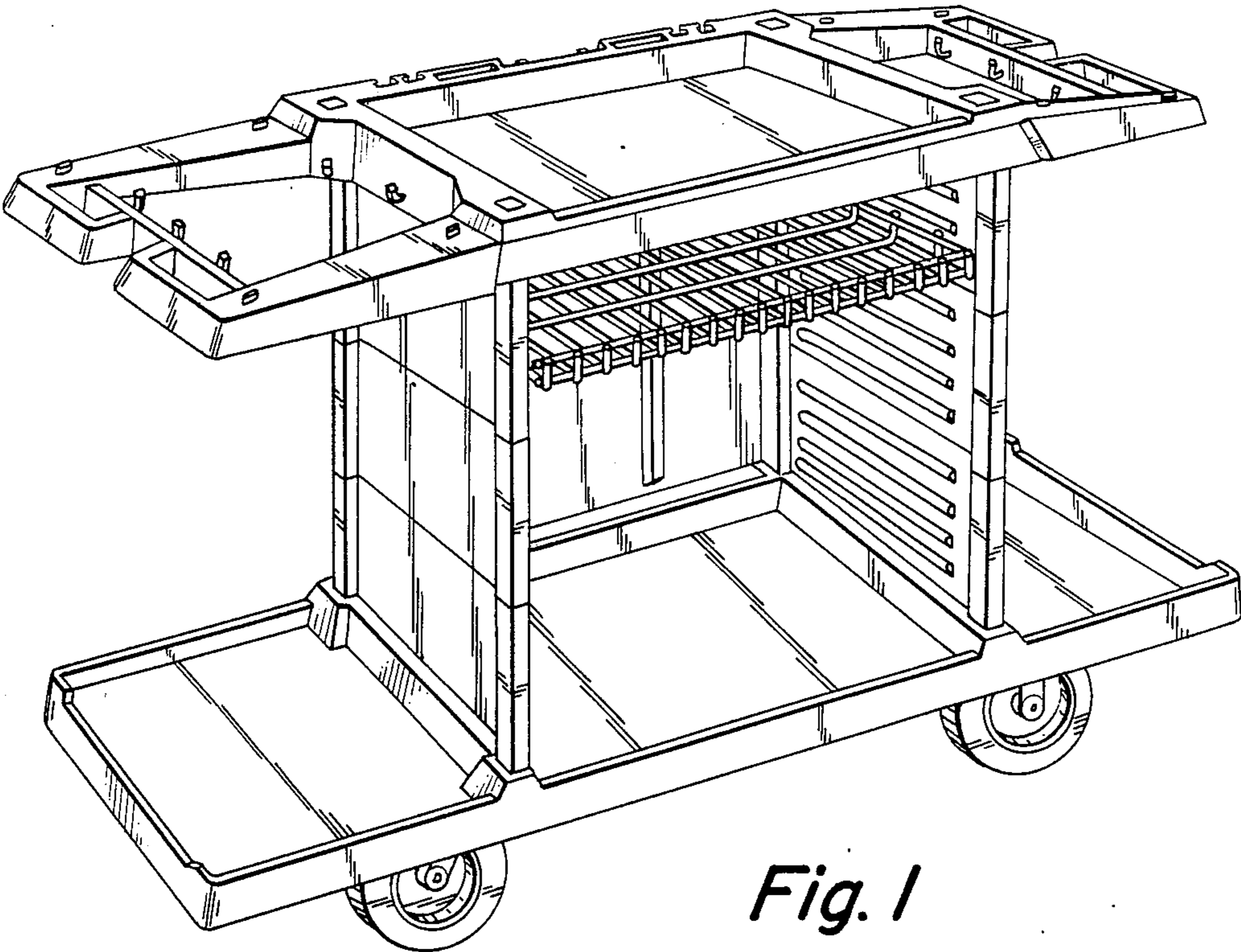
FIG. 3 is a right side elevation view thereof.

FIG. 4 is a left side elevation view thereof.

FIG. 5 is a top plan view thereof.

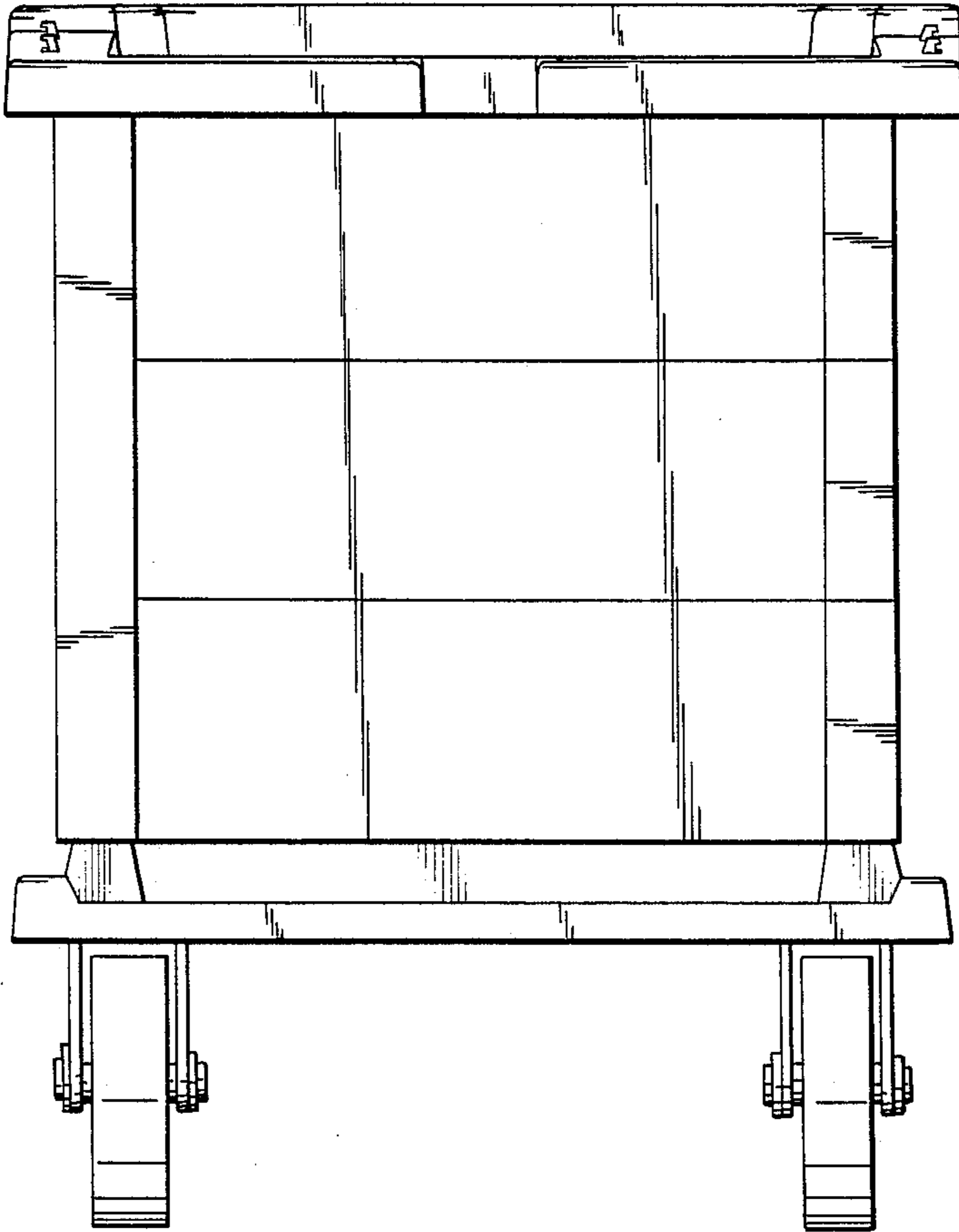
FIG. 6 is a bottom plan view thereof.

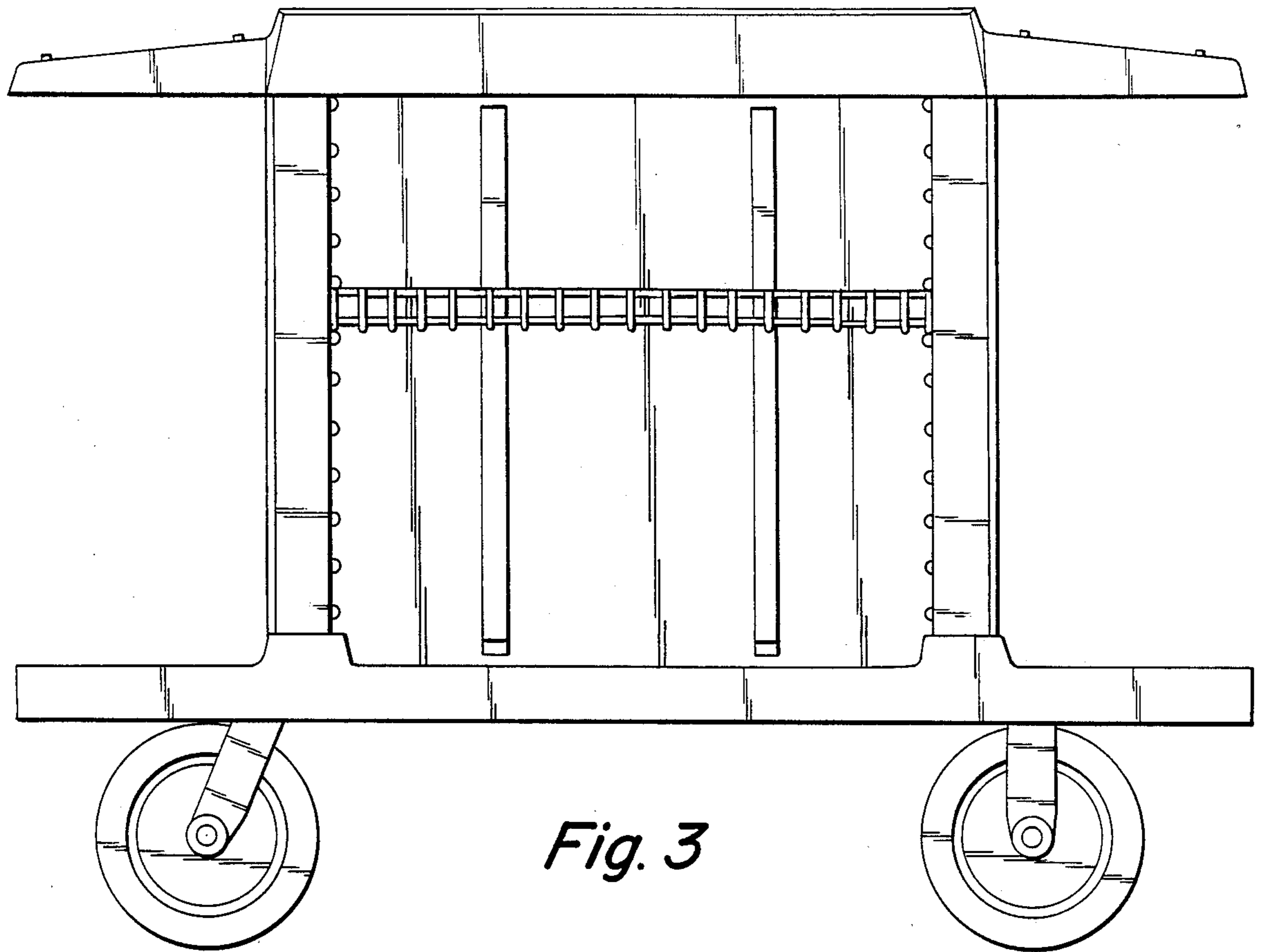




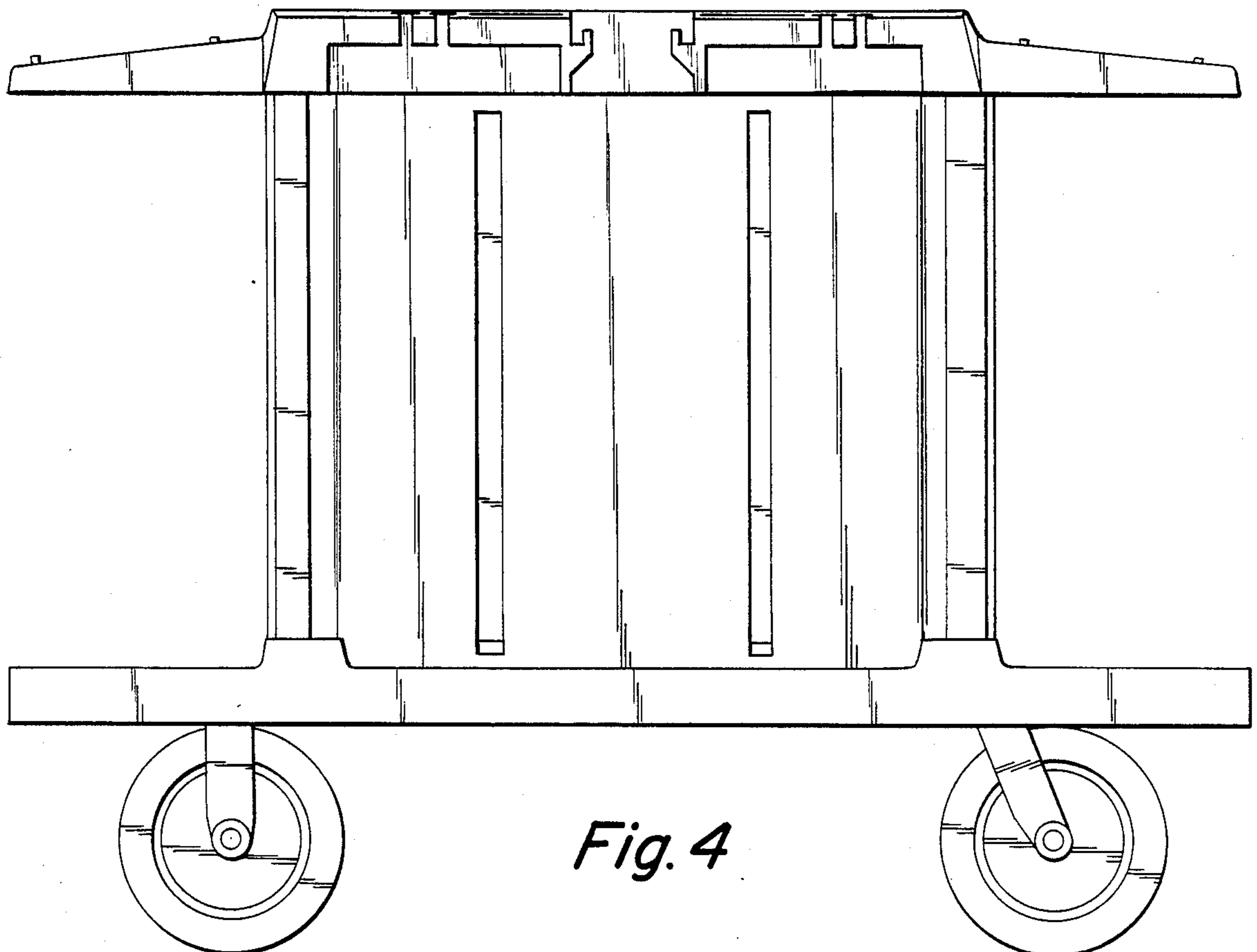
*Fig. 1*

*Fig. 2*





*Fig. 3*



*Fig. 4*



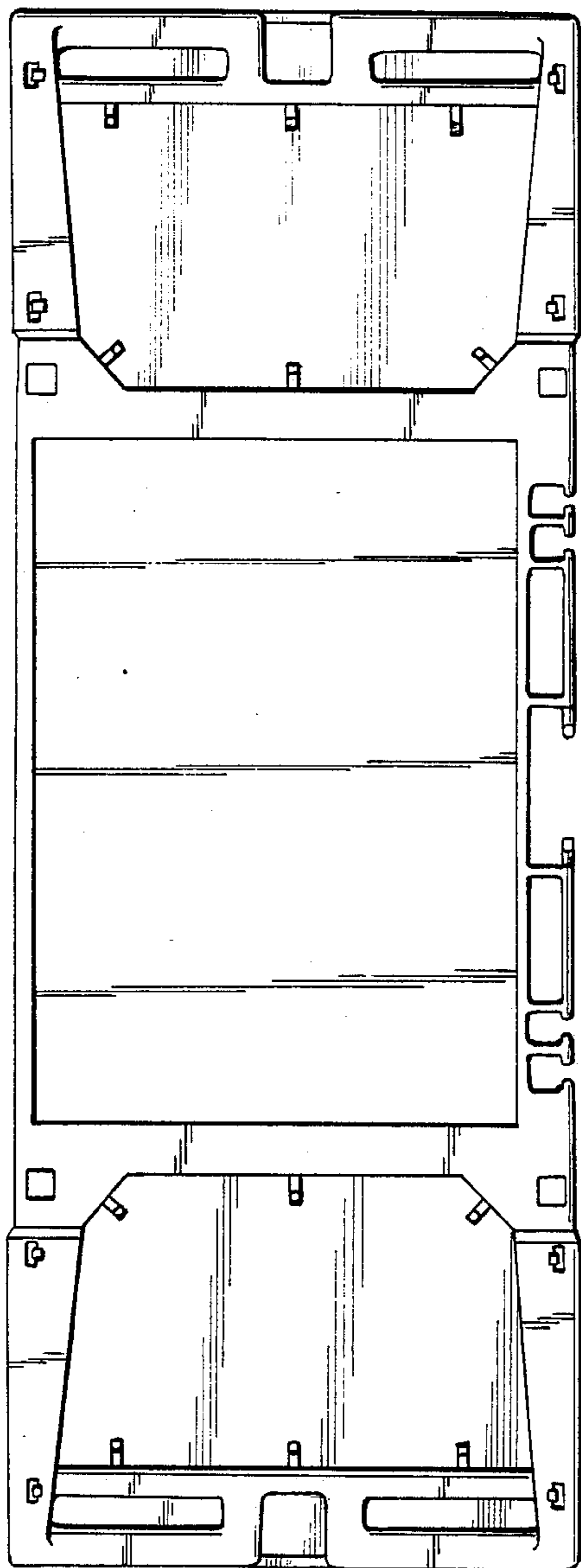


Fig. 5

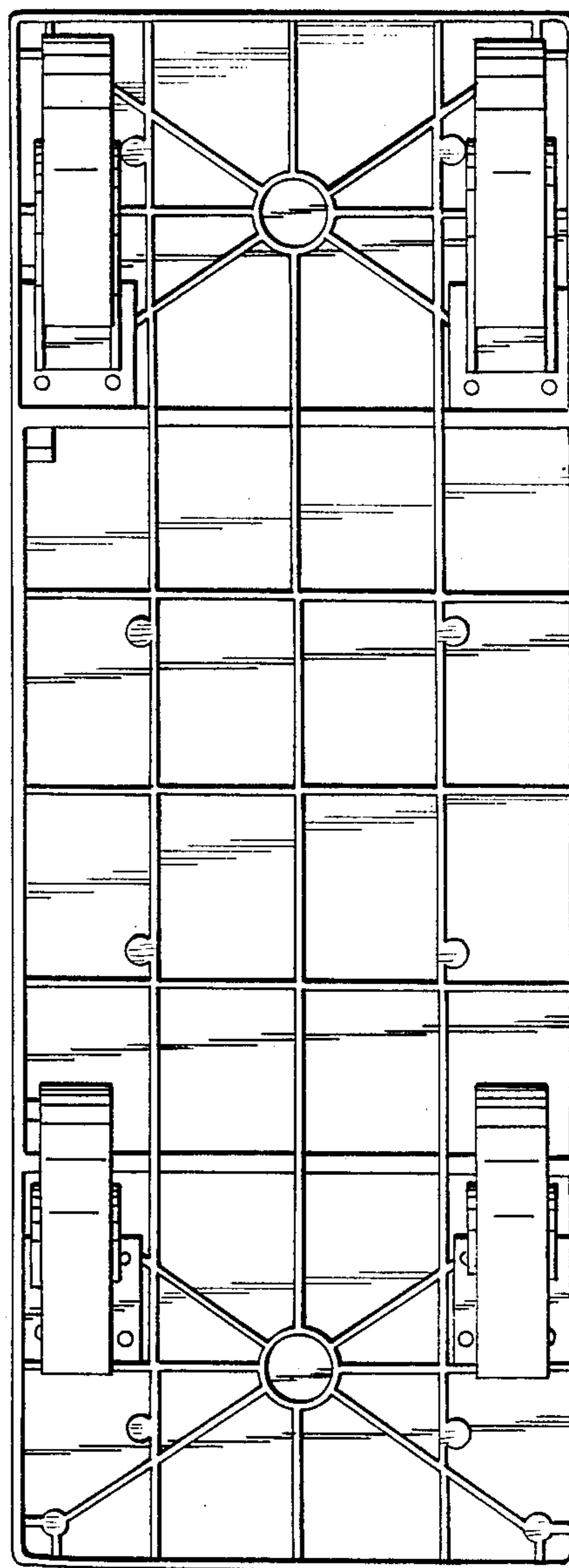


Fig. 6