

[54] **GROCERY BAG HOLDER**
[75] **Inventor: Lewis E. Sable, Rochester, N.Y.**
[73] **Assignee: Mobil Oil Corporation, New York, N.Y.**
[**] **Term: 14 Years**
[21] **Appl. No.: 926,262**
[22] **Filed: Oct. 31, 1986**
[52] **U.S. Cl. D34/5**
[58] **Field of Search D34/1, 5, 6; 248/95, 248/97, 98, 99, 100, 101; 220/1 T, 404; 141/390; 53/390**

4,458,867 7/1984 Malik 248/99
4,512,540 4/1985 Stroh 248/95
4,579,307 4/1986 Malik 248/99

Primary Examiner—Wallace R. Burke
Assistant Examiner—Kay H. Chin
Attorney, Agent, or Firm—Alexander J. McKillop;
Charles J. Speciale; James P. O'Sullivan, Sr.

[57] **CLAIM**

The ornamental design for a grocery bag holder, as shown and described.

DESCRIPTION

FIG. 1 is a top perspective view of a grocery bag holder showing my new design;
FIG. 2 is a side elevational view thereof, the opposite side elevational view being a mirror image of that shown;
FIG. 3 is a top plan view thereof; and
FIG. 4 is a front elevational view thereof.

[56] **References Cited**
U.S. PATENT DOCUMENTS
4,062,170 12/1977 Orem 53/390
4,398,689 8/1983 Prader 248/99

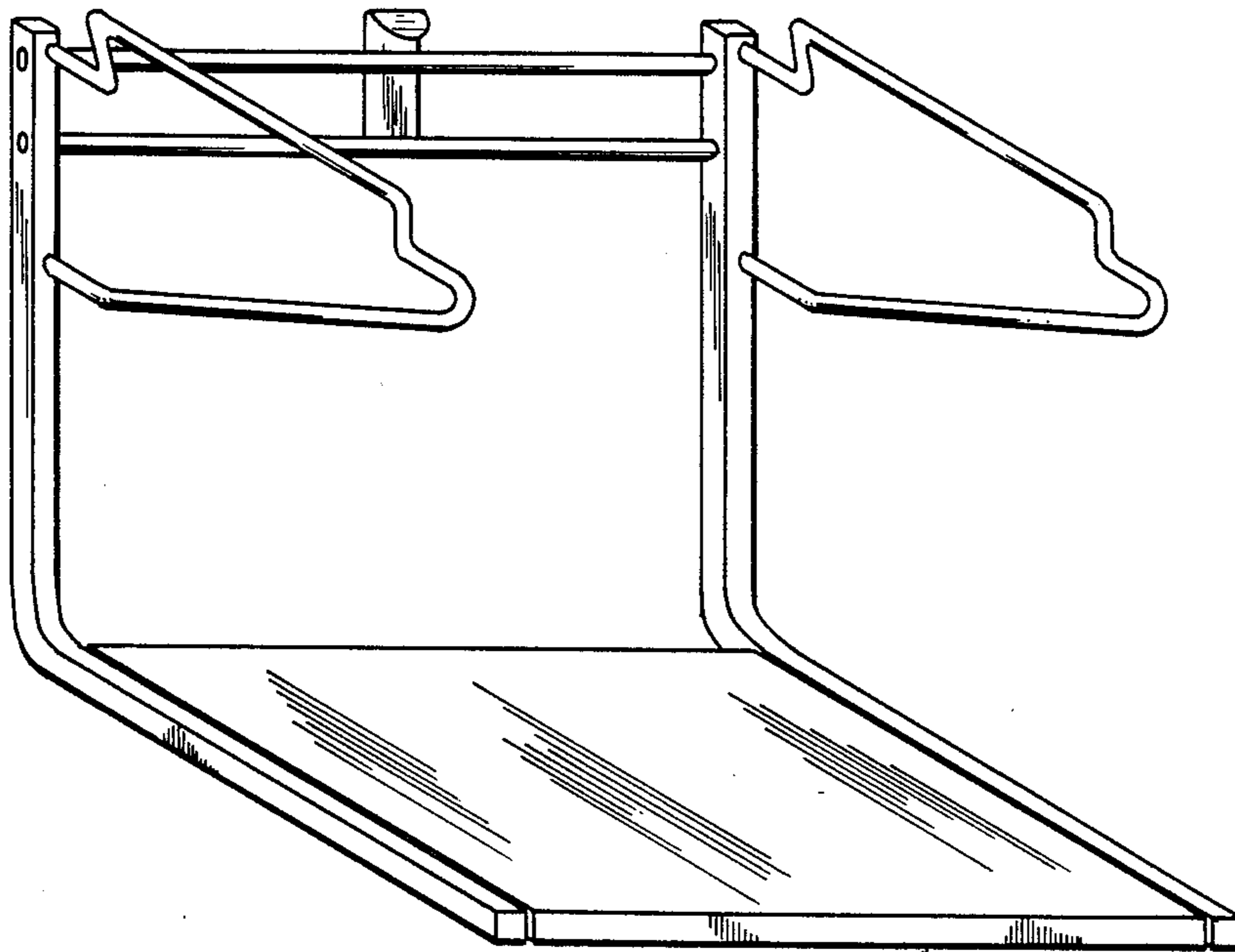


FIG. 1

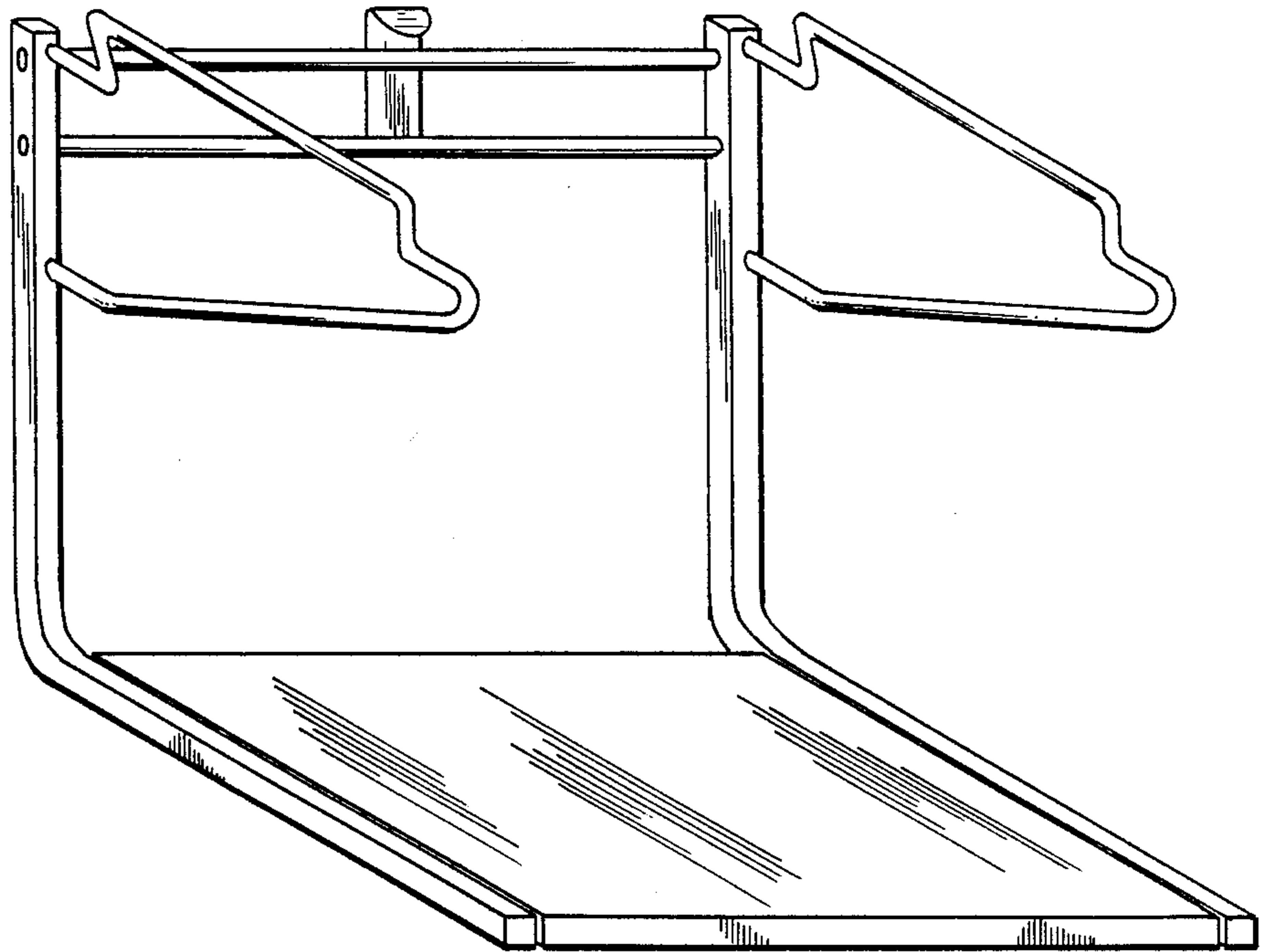


FIG. 2

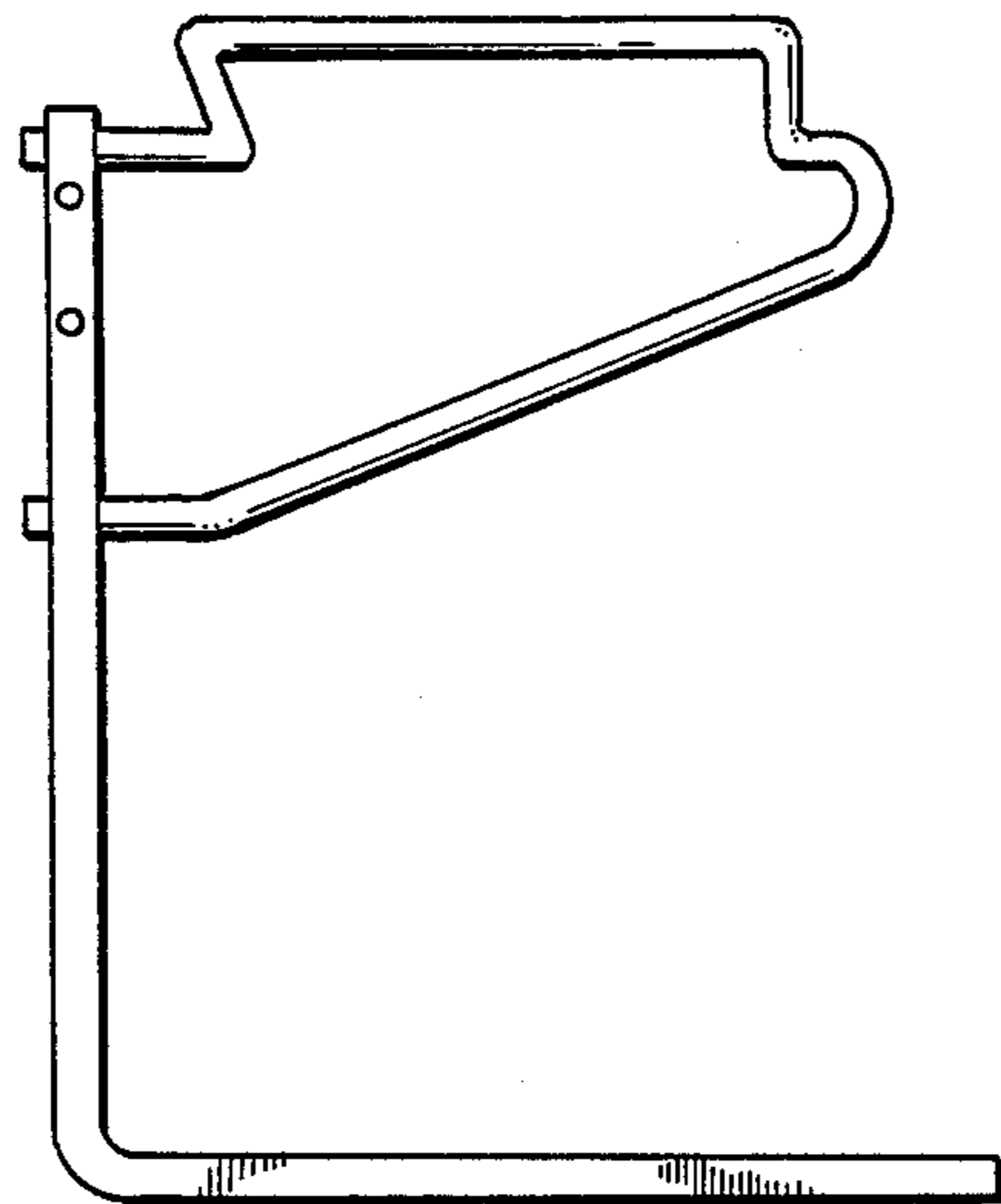


FIG. 3

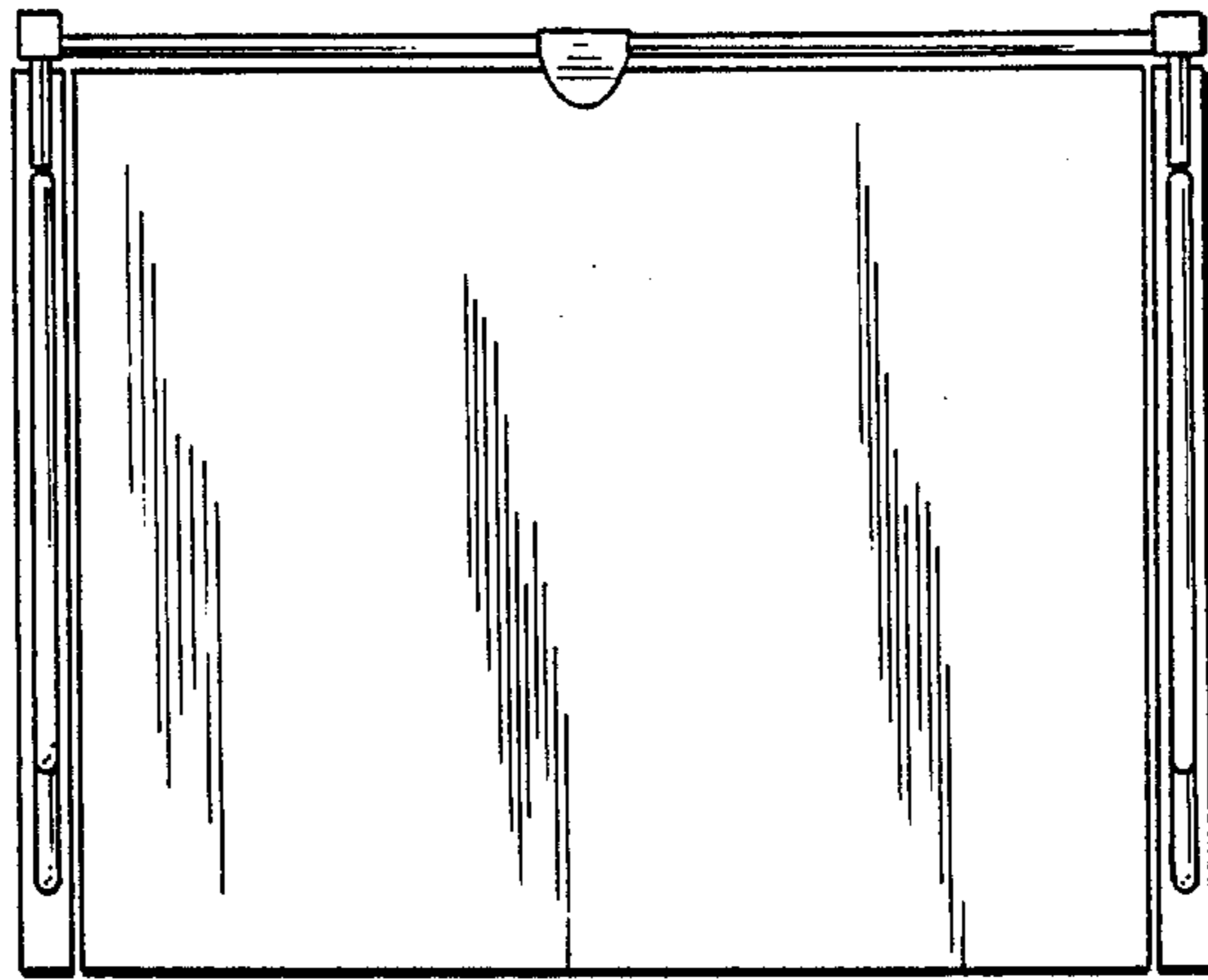


FIG. 4

