

[54] **STEAM PRESSING IRON**

[75] **Inventor: Jean-Louis Barrault,**
Boulogne-Billancourt, France

[73] **Assignee: Moulinex, Societe Anonyme,**
Bagnolet, France

[*] **Notice:** The portion of the term of this patent
subsequent to Jul. 4, 2003 has been
disclaimed.

[**] **Term: 14 Years**

[21] **Appl. No.: 123,951**

[22] **Filed: Nov. 23, 1987**

[30] **Foreign Application Priority Data**

Jun. 4, 1987 [FR] France 87 3338
[52] **U.S. Cl. D32/70**
[58] **Field of Search D32/68-73;**
38/69, 74, 88; 219/245, 254, 271, 273, 275

[56] **References Cited**

U.S. PATENT DOCUMENTS

D. 283,933	5/1986	Dobson et al.	D32/68
D. 290,891	7/1987	Stützer et al.	D32/70
D. 291,616	8/1987	Hennuy	D32/70
D. 293,146	12/1987	Brun	D32/70
D. 293,147	12/1987	Brun	D32/70

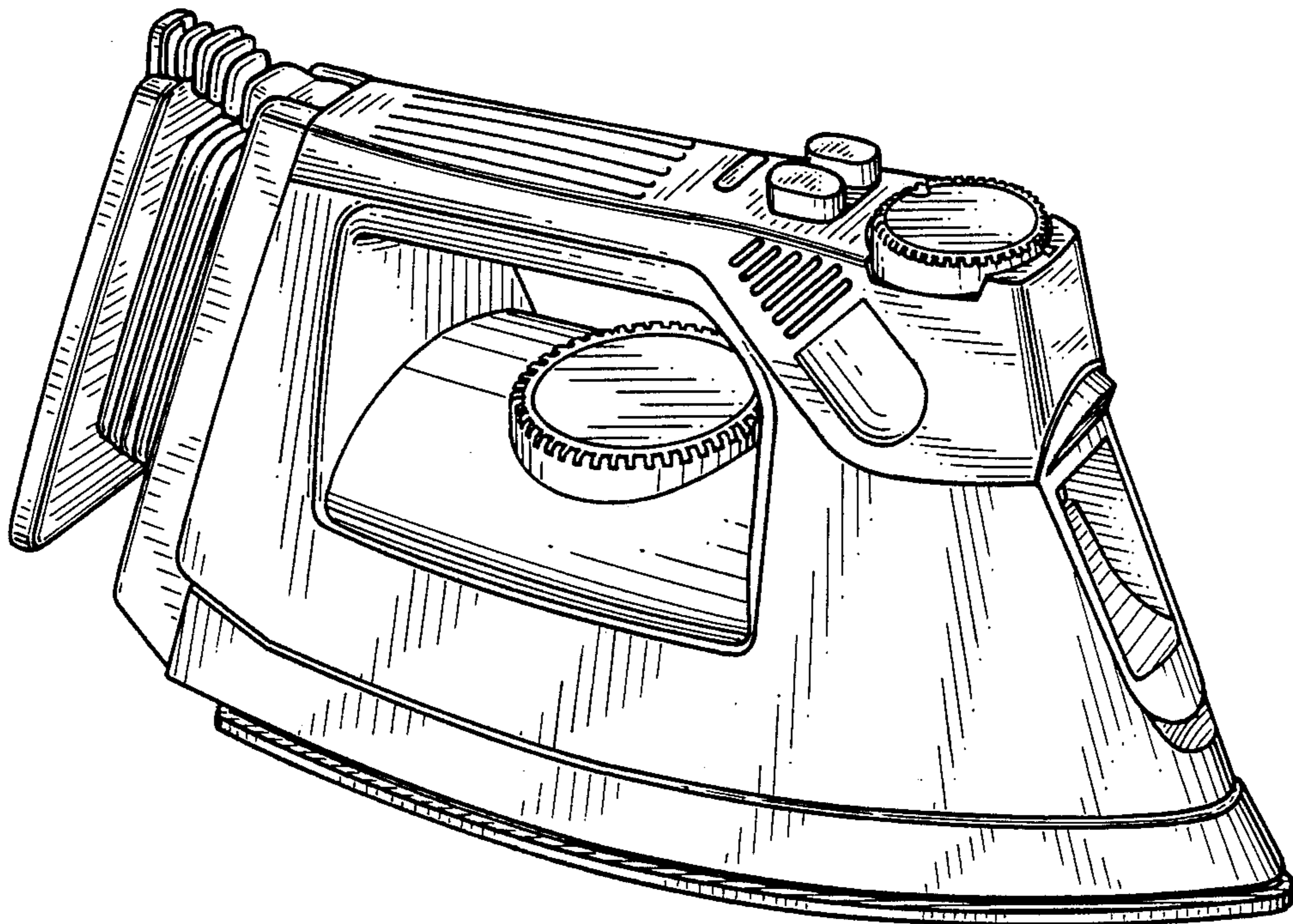
Primary Examiner—Wallace R. Burke
Assistant Examiner—Brian N. Vinson
Attorney, Agent, or Firm—Young & Thompson

[57] **CLAIM**

The ornamental design for a steam pressing iron, as shown.

DESCRIPTION

FIG. 1 is a perspective view of a steam pressing iron showing my new design;
FIG. 2 is a front elevational view thereof;
FIG. 3 is a right side elevational view thereof;
FIG. 4 is a left side elevational view thereof;
FIG. 5 is a rear elevational view thereof;
FIG. 6 is a top plan view thereof; and
FIG. 7 is a bottom plan view thereof.



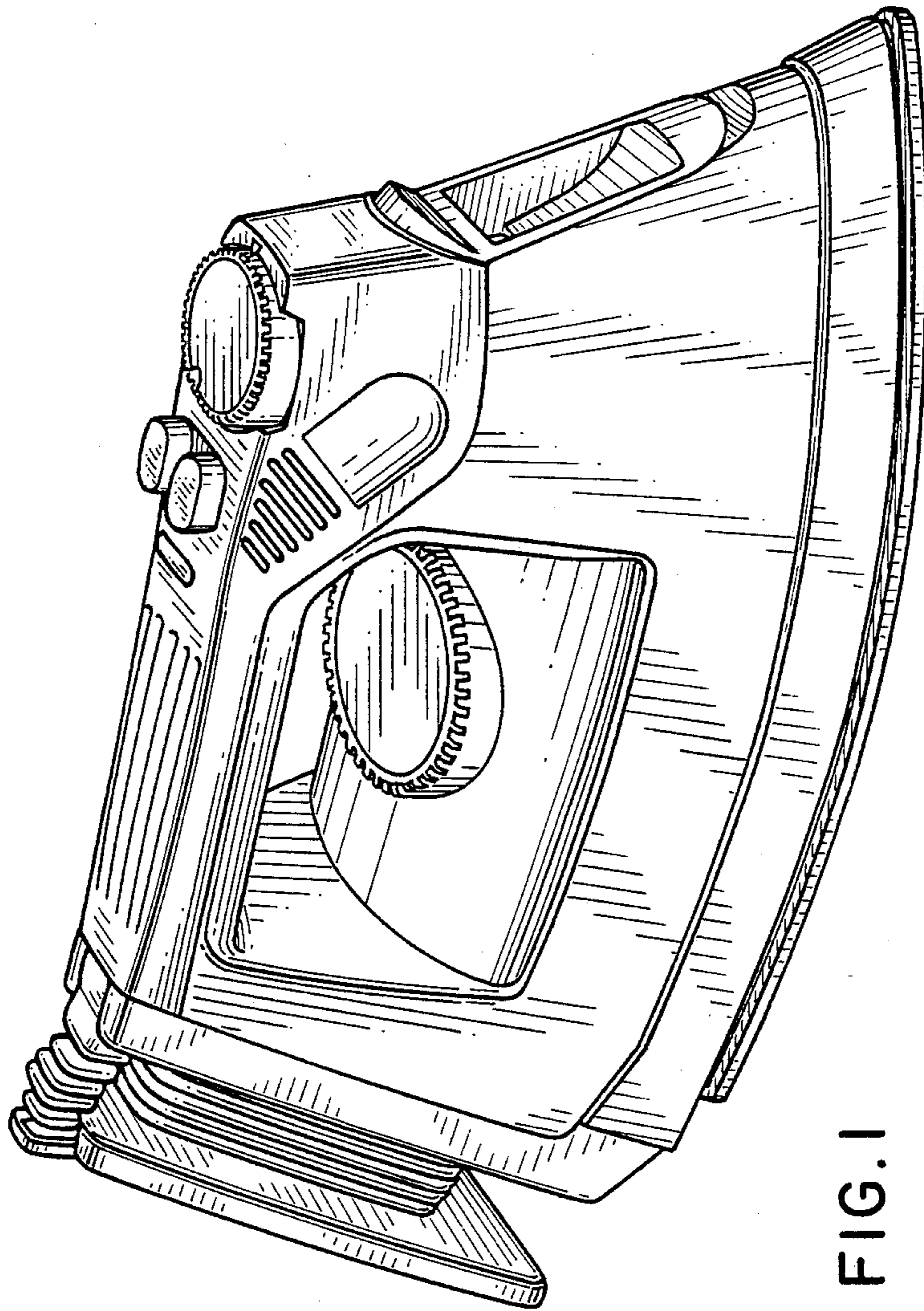


FIG. 1

FIG. 2

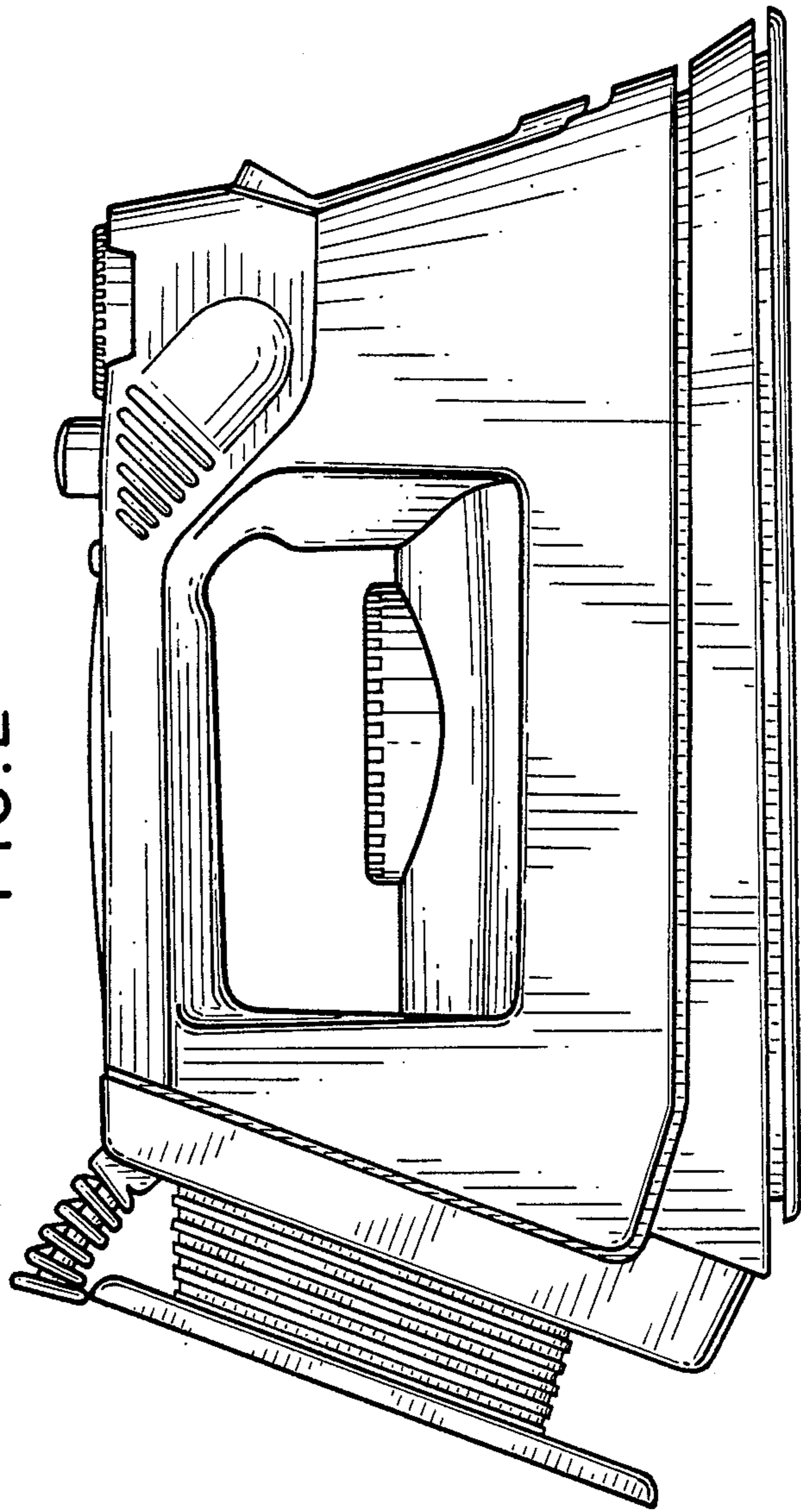


FIG. 3

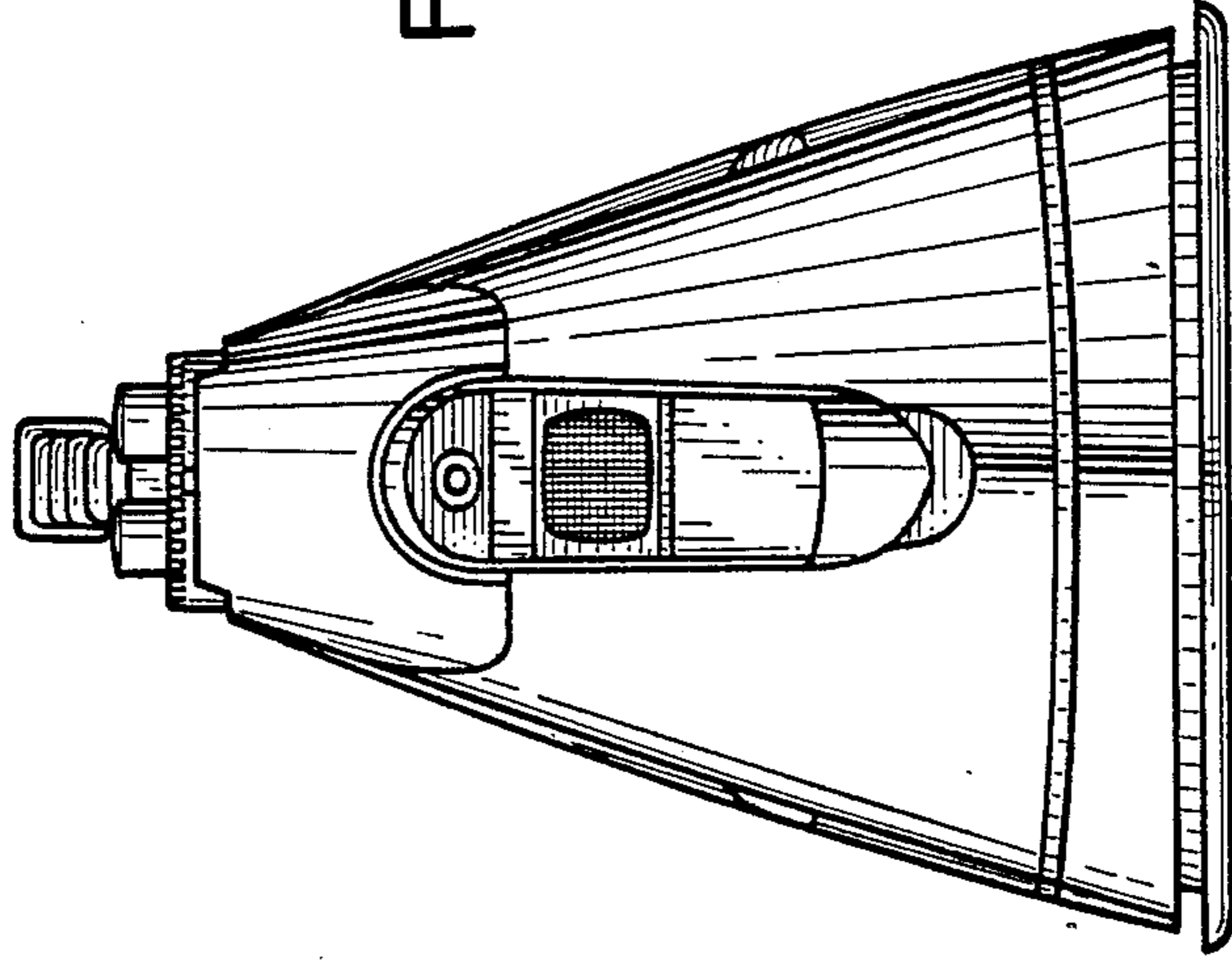


FIG. 4

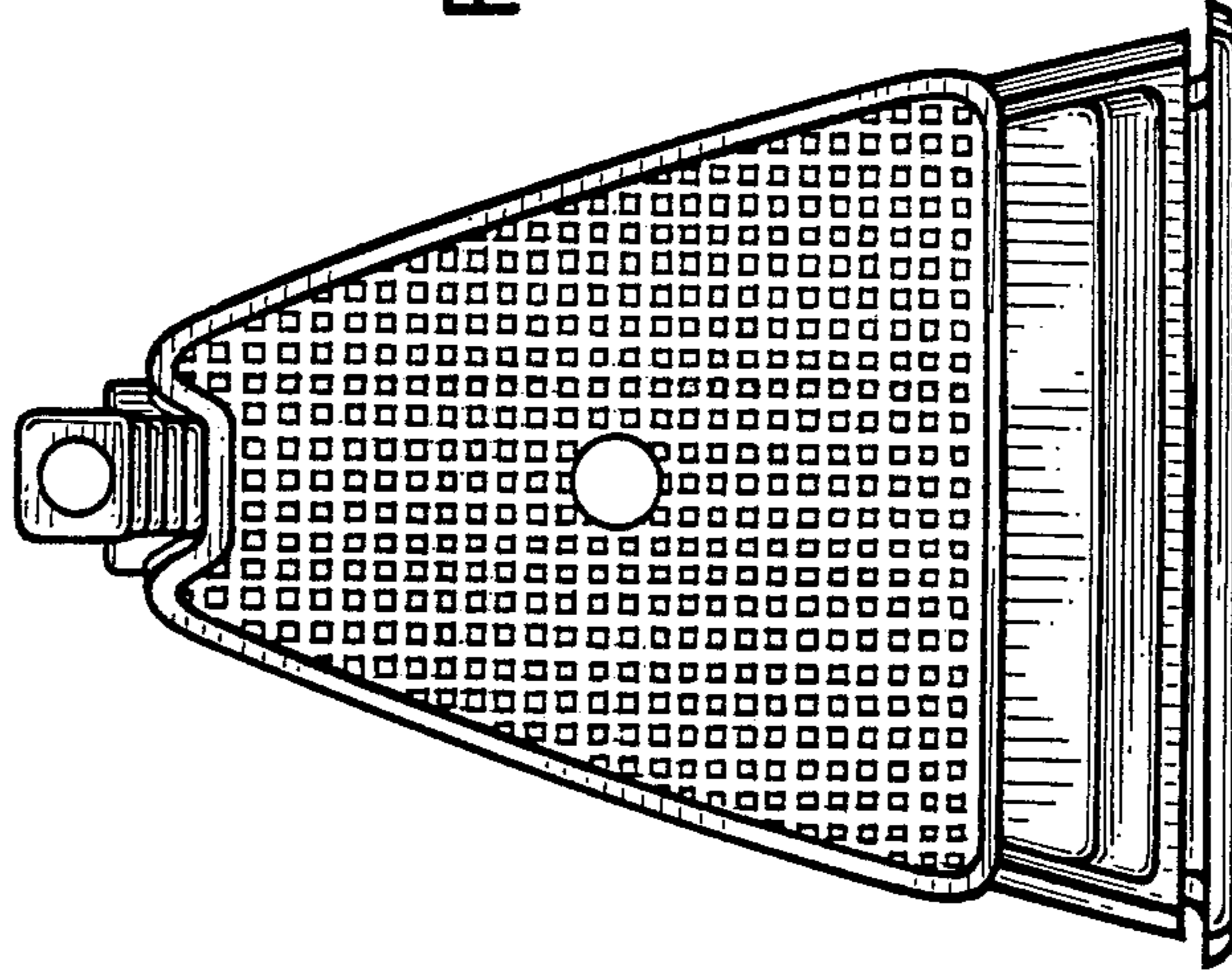


FIG. 5

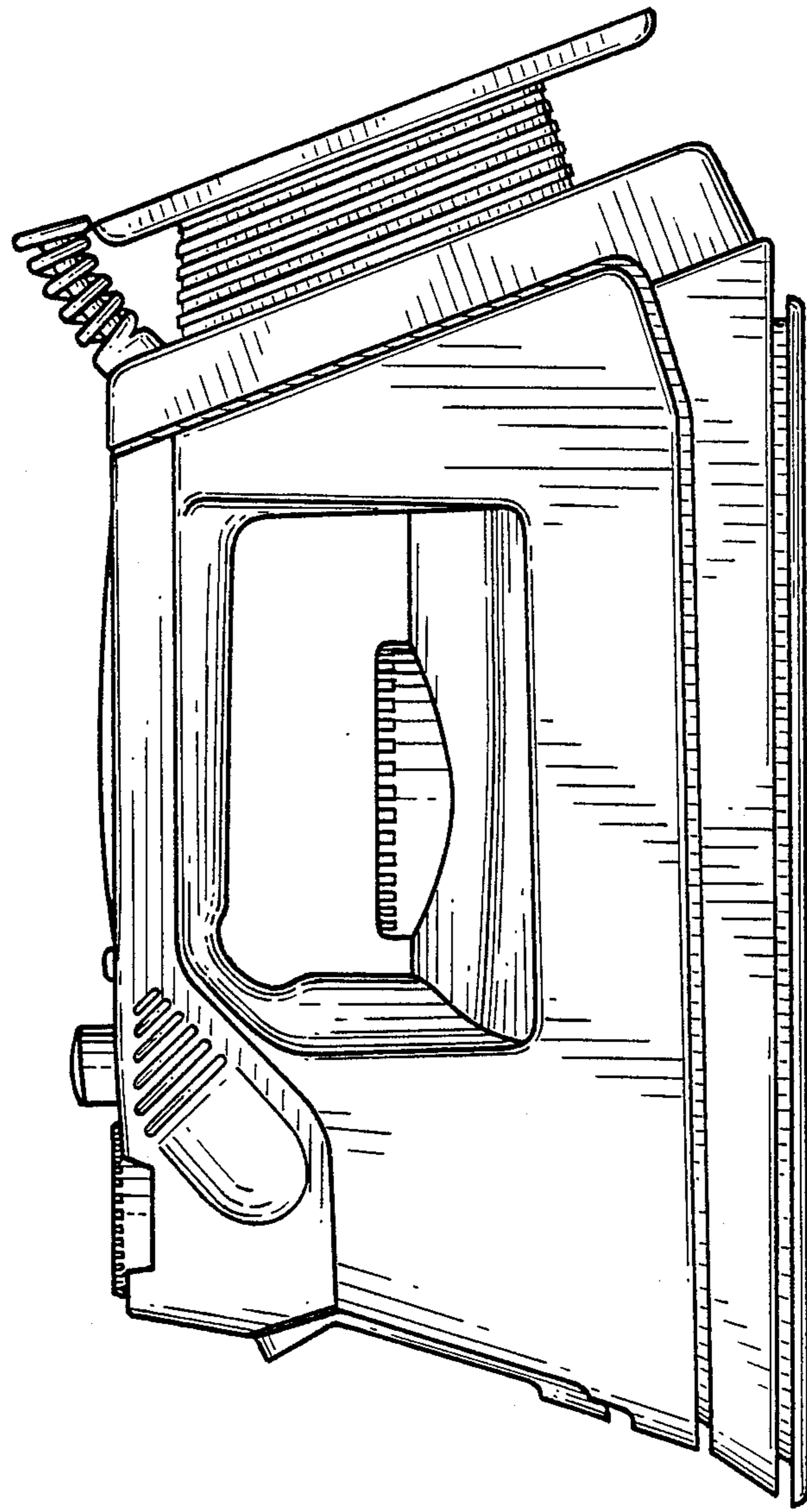


FIG. 6

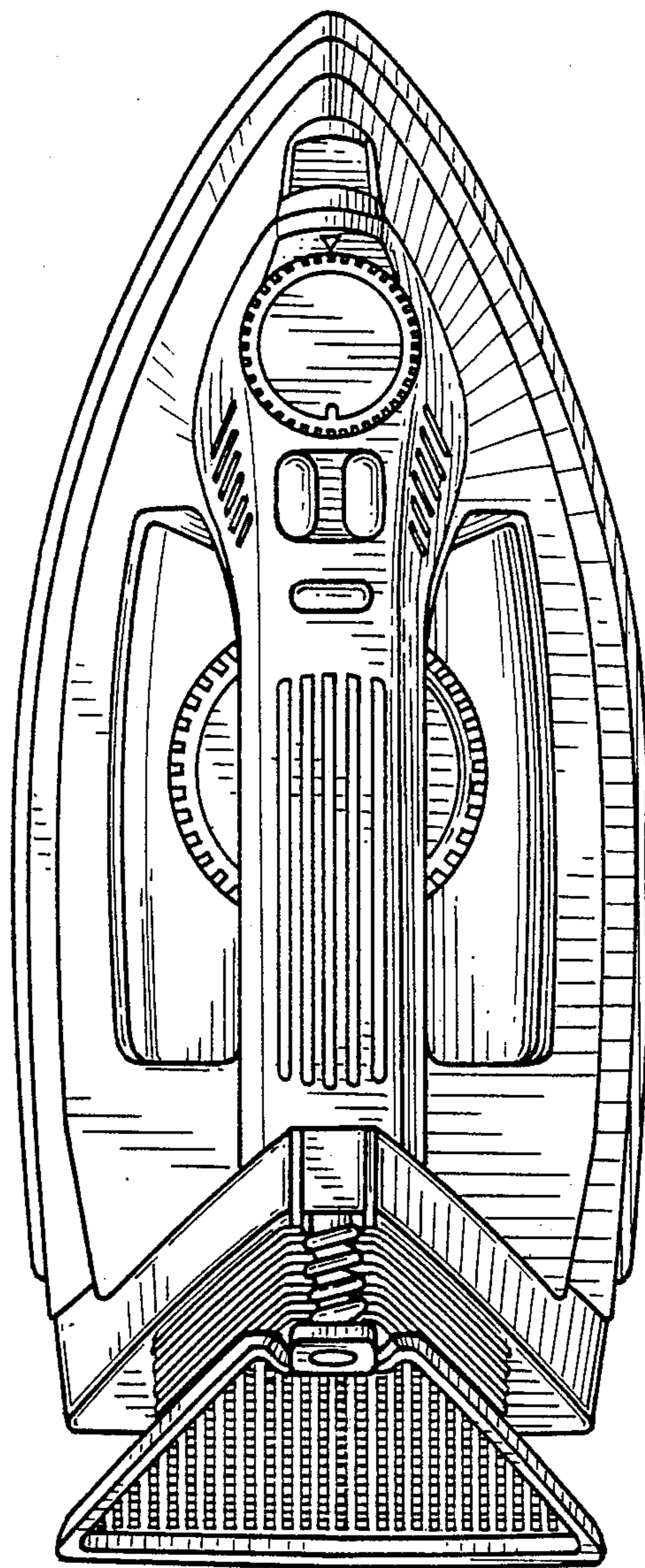


FIG. 7

