

United States Patent [19]

Sanders

[11] Patent Number: **Des. 302,059**

[45] Date of Patent: **** Jul. 4, 1989**

[54] SNOW BROOM

[76] Inventor: **Rodger A. Sanders**, 6340 Saratoga Ave., Downers Grove, Ill. 60516

[**] Term: **14 Years**

[21] Appl. No.: **10,712**

[22] Filed: **Jan. 28, 1987**

[52] U.S. Cl. **D32/51; D4/134**

[58] Field of Search **D32/35, 40-45, D32/50-52; D4/114-116, 118, 120, 129-132, 134-135, 199; 15/105-106, 111, 116.1, 117, 119 R, 119 A, 145-146, 147 R, 147 A-147 D, 171, 229.1-229.9, 248 R, 159 R, 159 A, 160, 175, 176.1-176.6, 244.1-244.4, 245, 257 R, 257.1-257.2**

[56] **References Cited**

U.S. PATENT DOCUMENTS

490,472 1/1893 Clements 15/111

565,042 8/1896 Slocum 15/105
1,143,752 6/1915 Crisman 15/111
3,239,280 3/1966 Fielder, Jr. 15/146 X
3,979,146 9/1976 Berg 15/257.1 X
4,724,566 2/1988 Fawcett 15/160 X

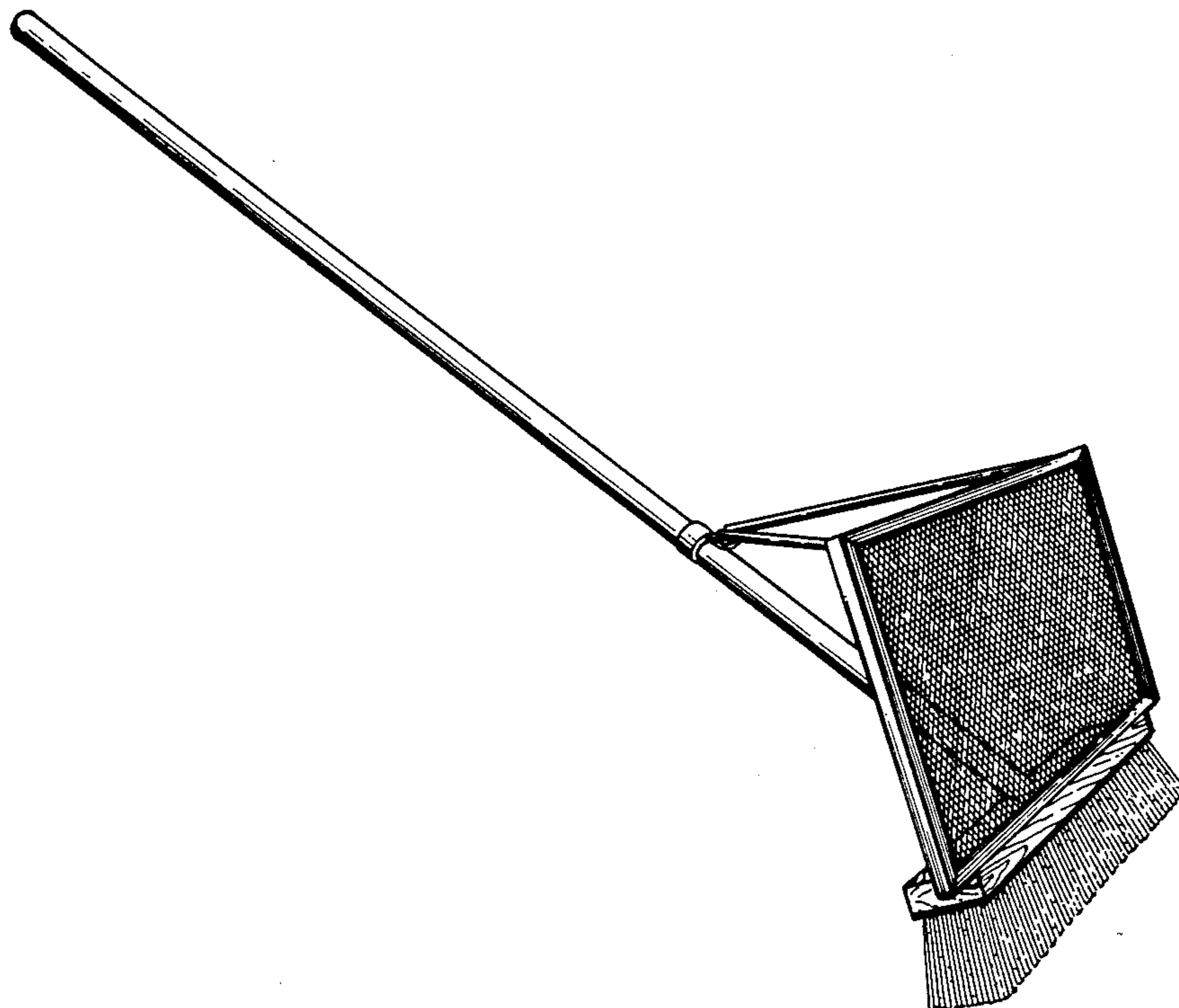
Primary Examiner—Wallace R. Burke
Assistant Examiner—Lavone D. Tabor
Attorney, Agent, or Firm—Marshall, O'Toole, Gerstein, Murray & Bicknell

[57] CLAIM

The ornamental design for a snow broom, as shown and described.

DESCRIPTION

FIG. 1 is a perspective view of a snow broom showing my new design;
FIG. 2 is a front elevational view thereof;
FIG. 3 is a left side elevational view thereof;
FIG. 4 is a right side elevational view thereof;
FIG. 5 is a rear elevational view thereof; and
FIG. 6 is a top plan view thereof.



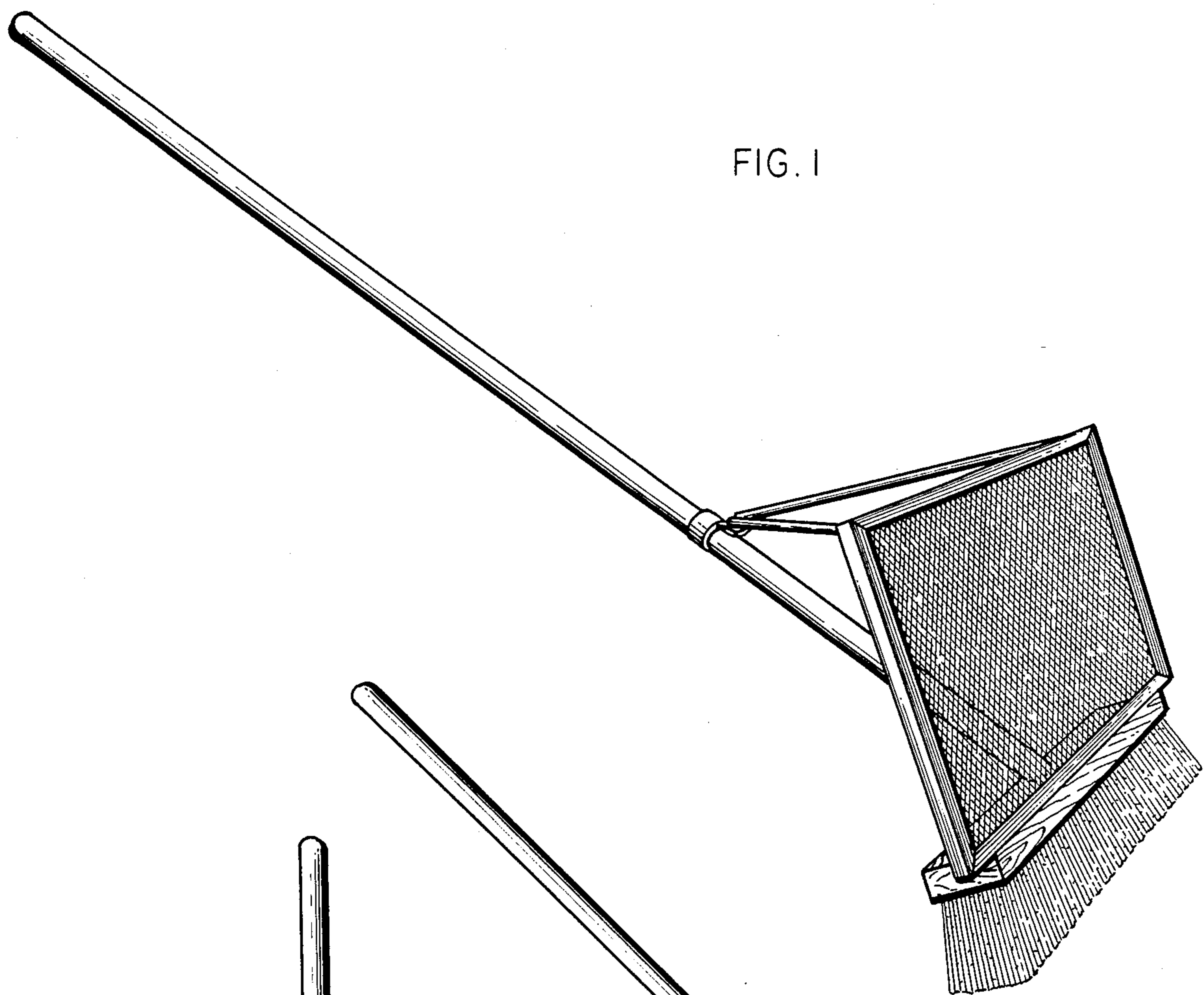


FIG. 1

FIG. 2

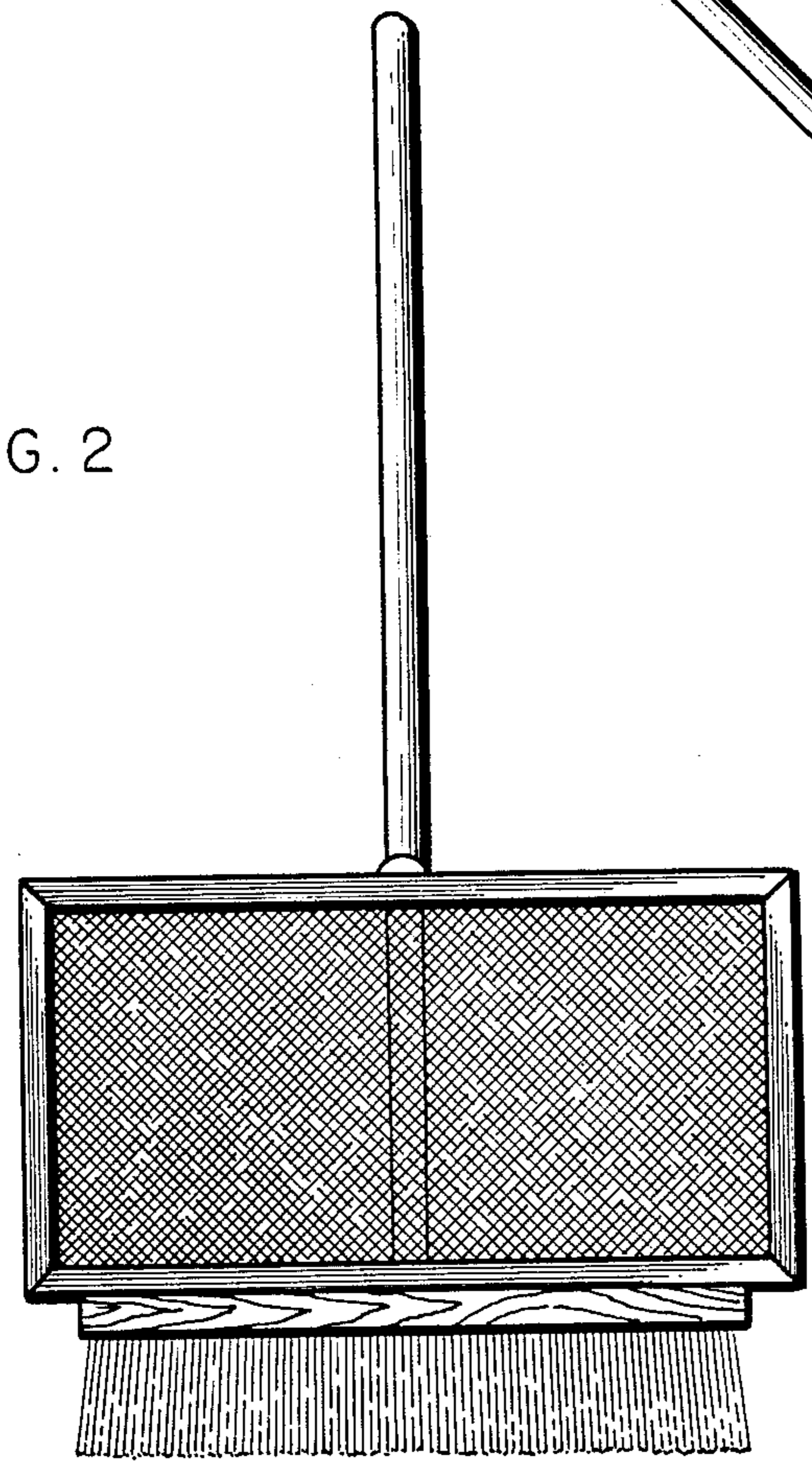


FIG. 3

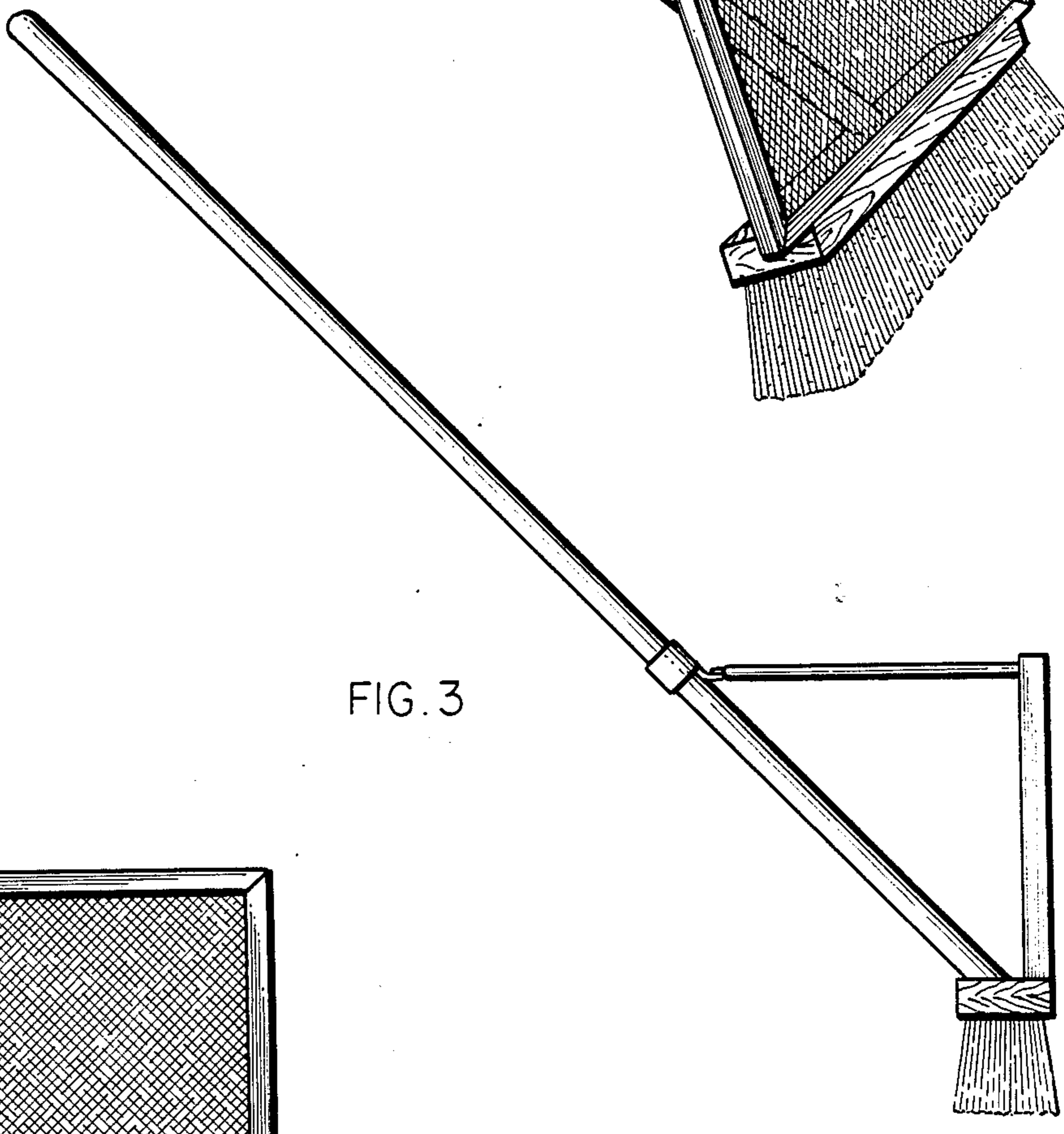


FIG. 4

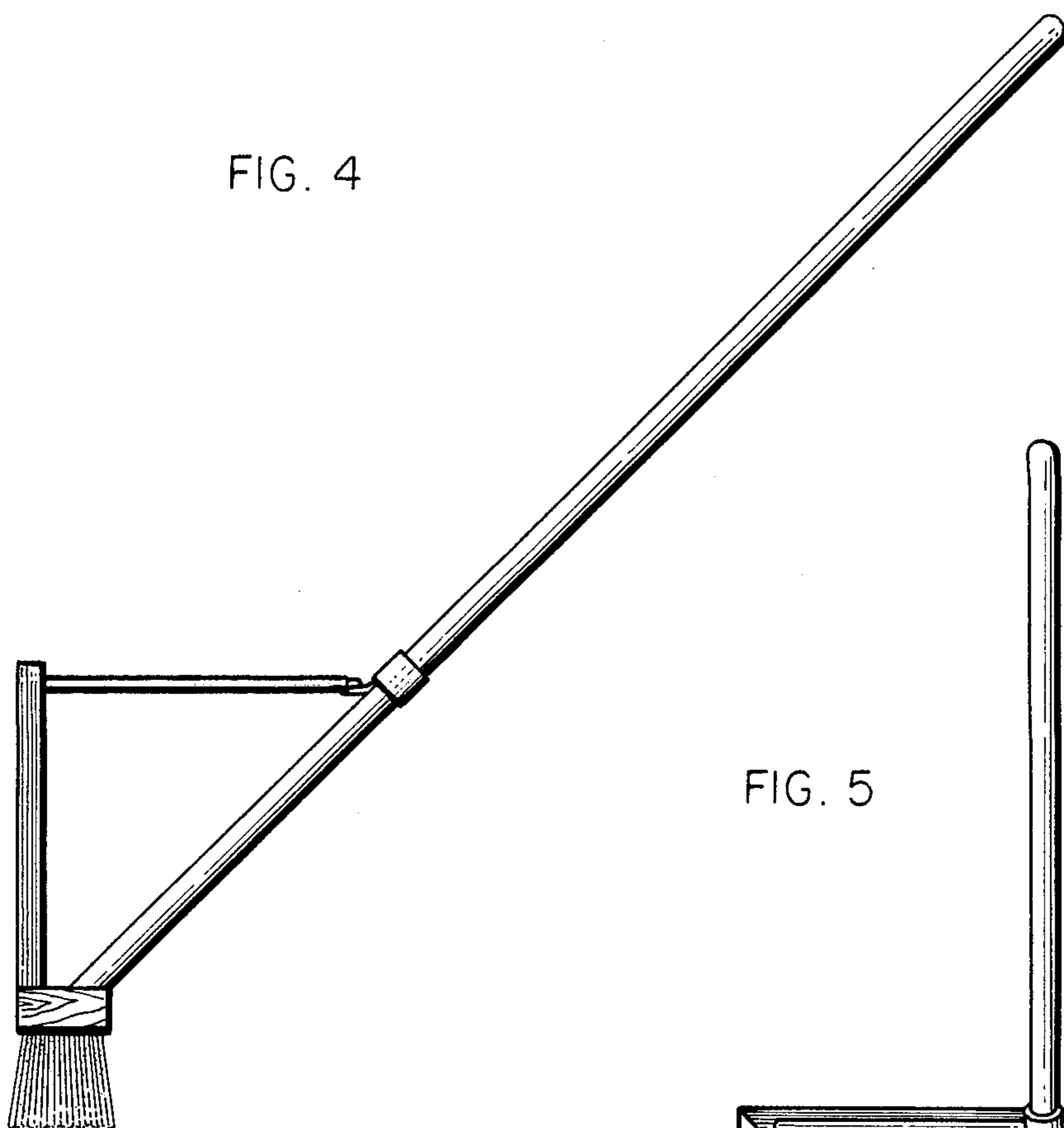


FIG. 5

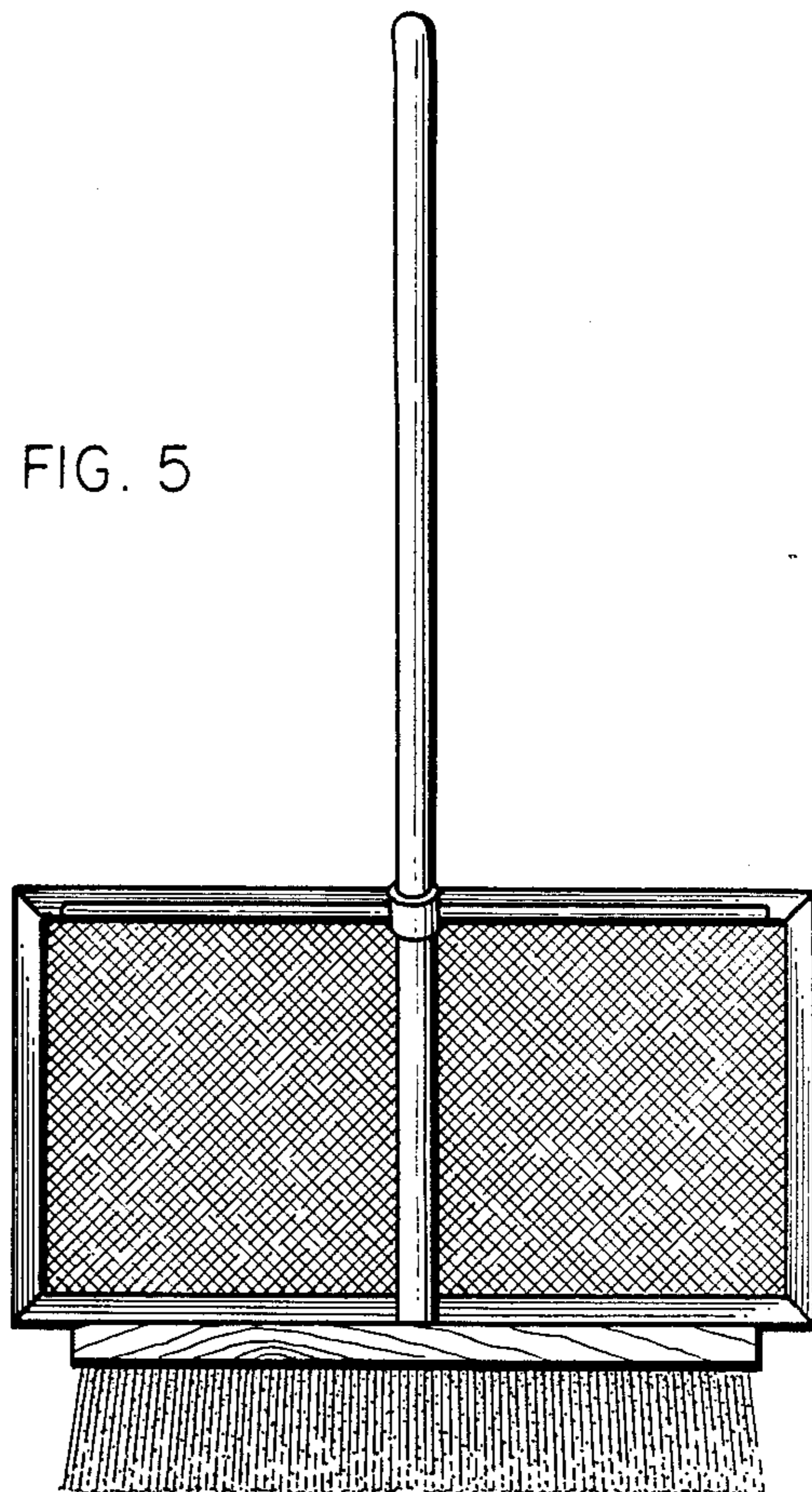


FIG. 6

