

[54] PORTABLE SOLVENT RECOVERY APPARATUS

[75] Inventor: Lyle Lumsden, Newburyport, Mass.

[73] Assignee: Performance Technologies, Inc., Manchester, N.H.

[**] Term: 14 Years

[21] Appl. No.: 810,037

[22] Filed: Dec. 17, 1985

[52] U.S. Cl. D32/1

[58] Field of Search D32/1, 4, 21, 23, 30; 15/300 R, 320, 321, 327 R, 327 F, 327 D, 353; 137/238; 202/83, 208, 215, 266

[56] References Cited

U.S. PATENT DOCUMENTS

D. 190,074	4/1961	Harmes et al.	D32/4
D. 202,810	11/1965	Goodrich	D32/4
D. 212,777	11/1968	Anderson	D32/1
D. 262,029	11/1981	Osrow et al.	D32/23
2,721,566	10/1955	Brucker	134/177

3,618,297	11/1971	Hamrick	15/327 F
4,143,669	5/1979	Minkin	134/200
4,202,070	5/1980	Harfst	15/327 D

Primary Examiner—Bruce W. Dunkins
Assistant Examiner—Ruth Takemoto
Attorney, Agent, or Firm—Pearson & Pearson

[57] CLAIM

The ornamental design for a portable solvent recovery apparatus, as shown and described.

DESCRIPTION

FIG. 1 is a top, front and right side perspective view of a portable solvent recovery apparatus showing my new design;

FIG. 2 is a front elevational view thereof;

FIG. 3 is a right side elevational view thereof;

FIG. 4 is top plan view thereof;

FIG. 5 is a rear elevational view thereof;

FIG. 6 is a left side elevational view thereof; and

FIG. 7 is a bottom plan view thereof.

The hose in FIGS. 1, 2, 3, and 5 is shown broken away for ease of illustration.

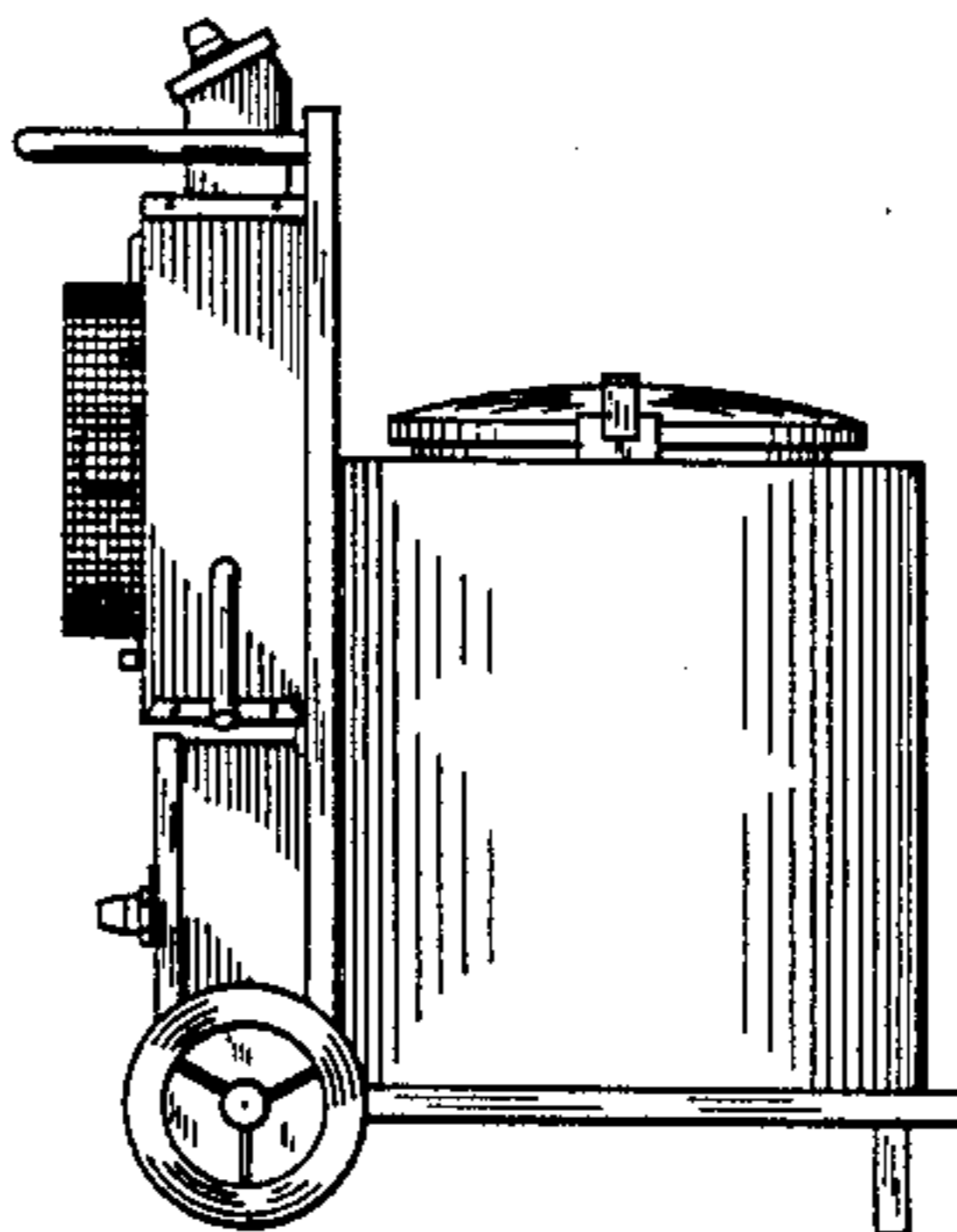
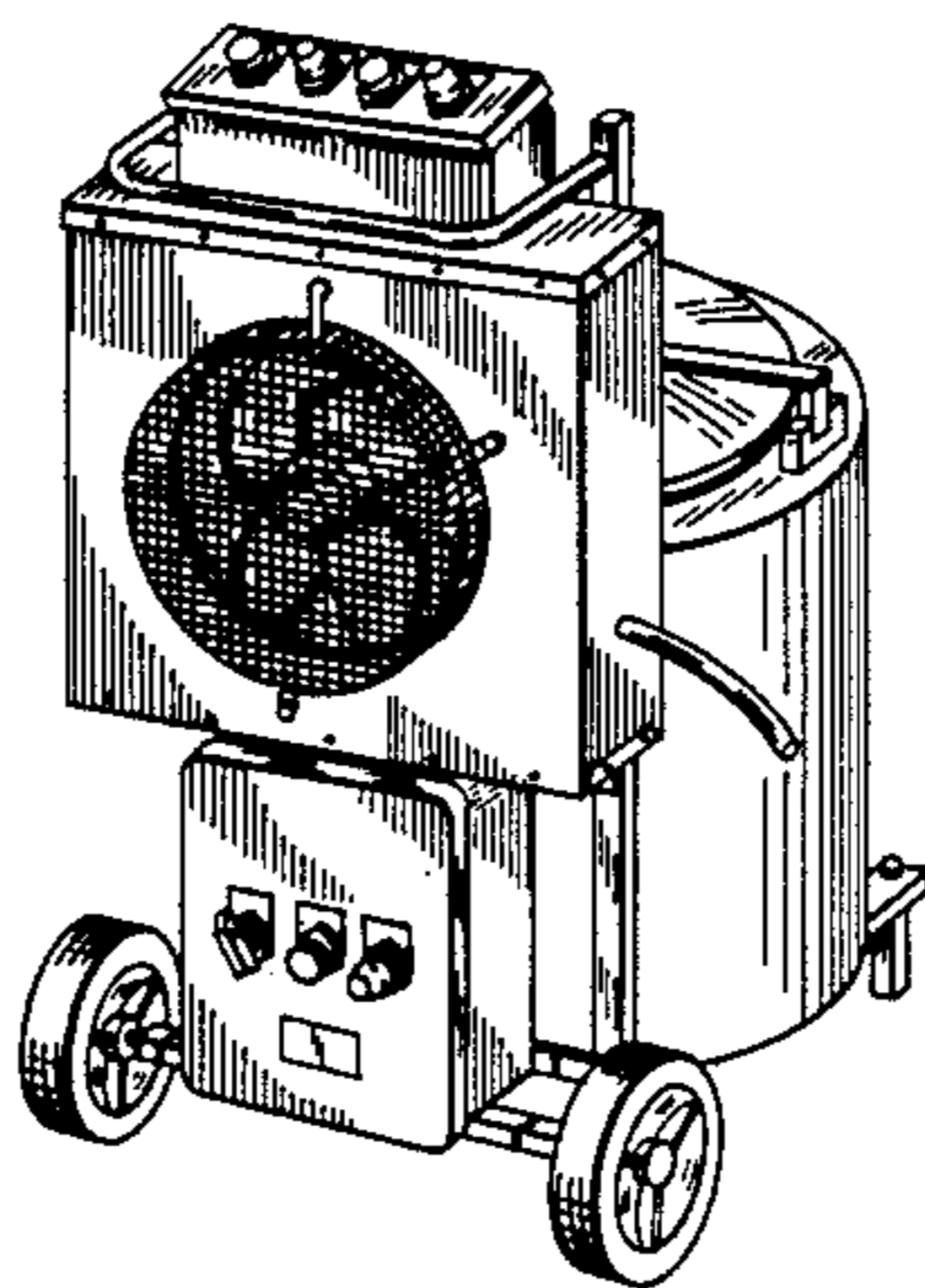


Fig.1.

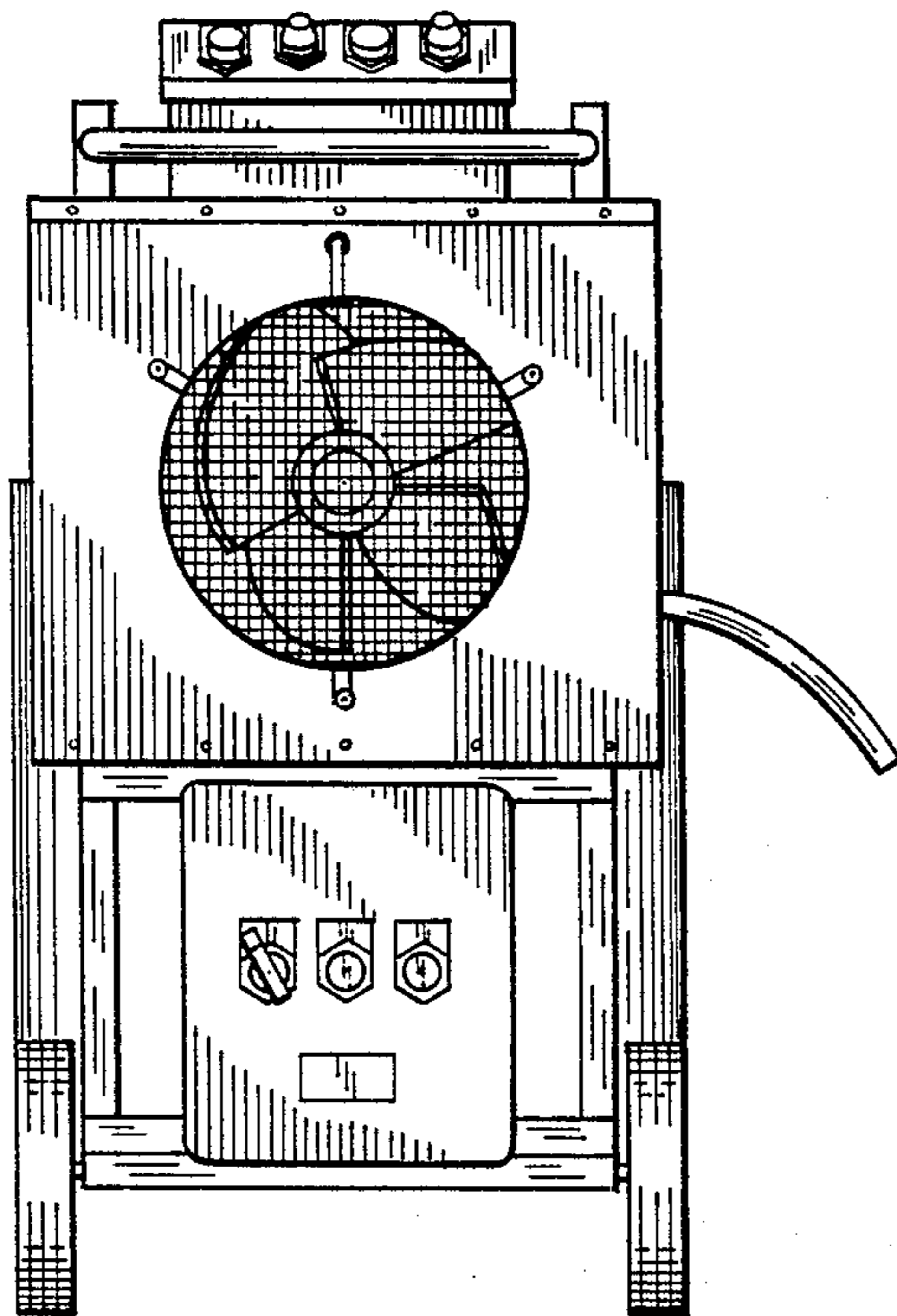
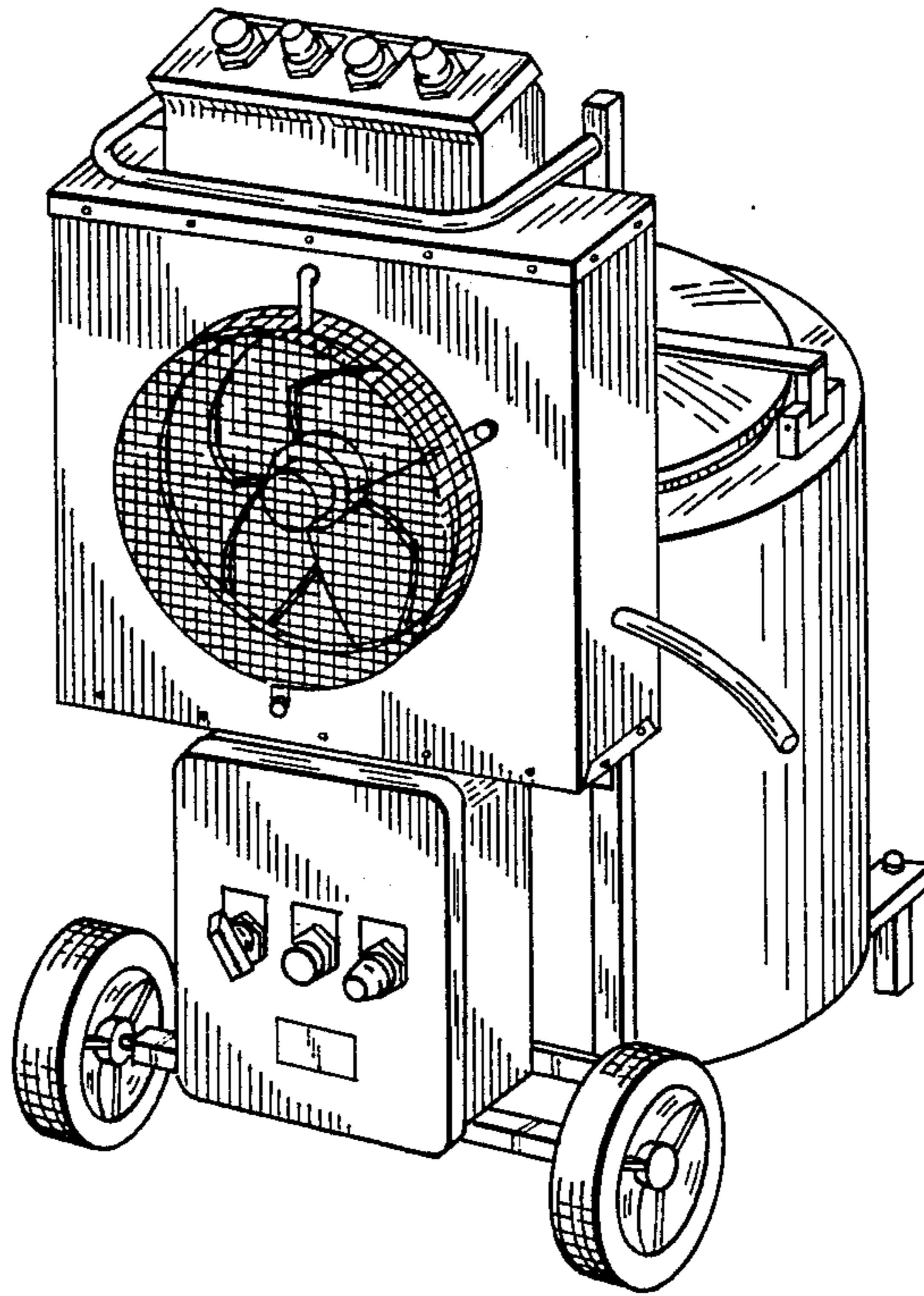


Fig.2.

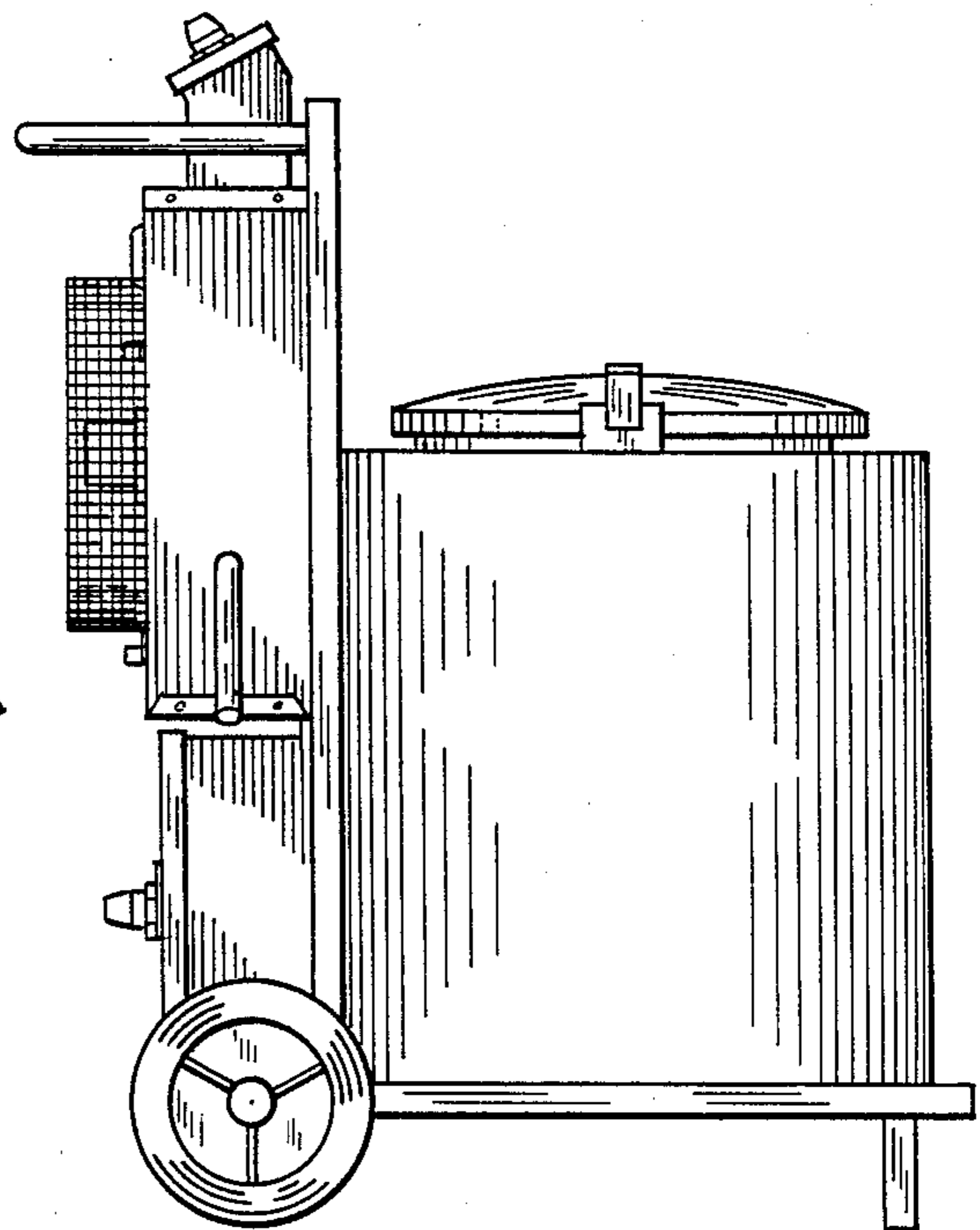


Fig.3.

Fig. 4.

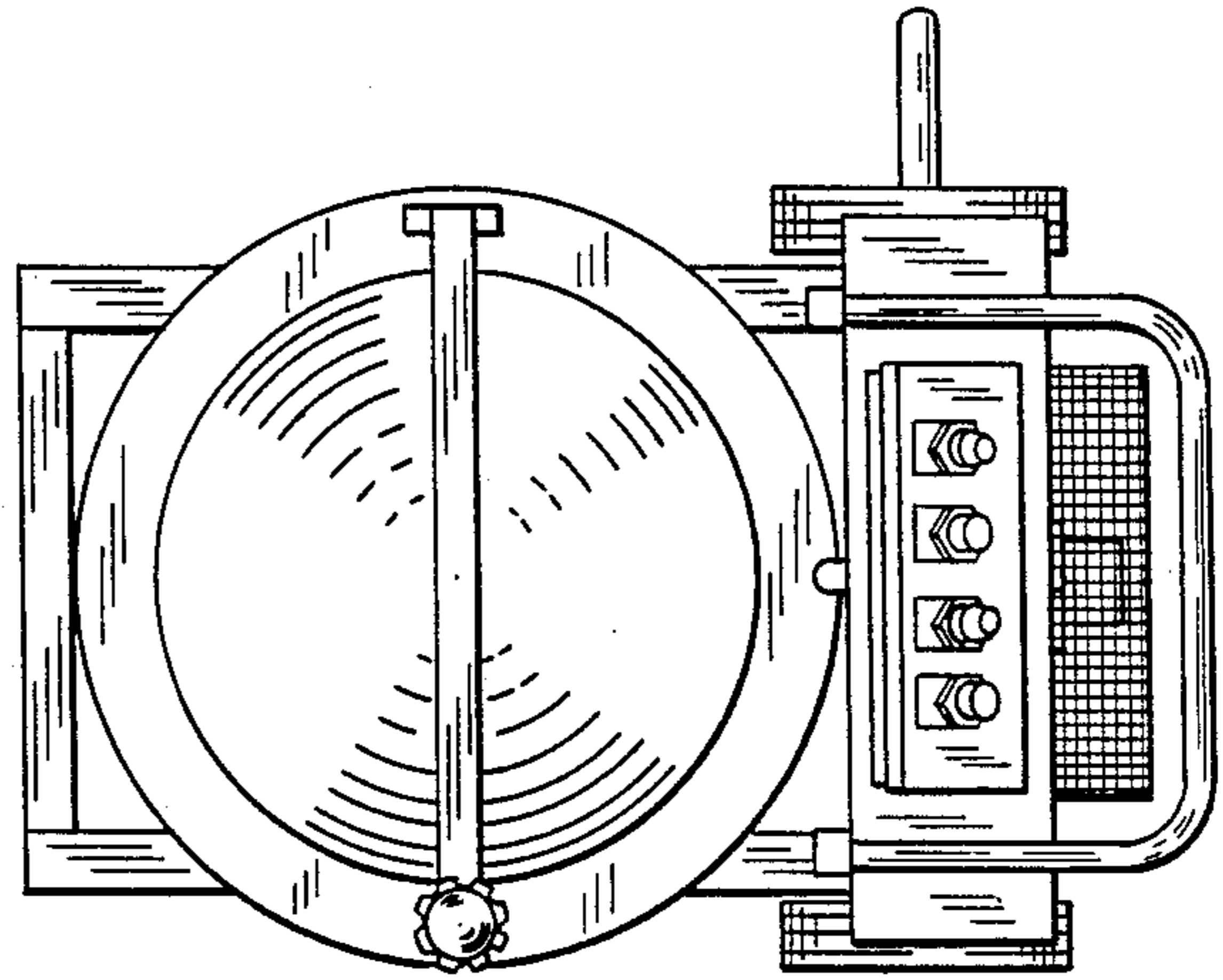


Fig. 5.

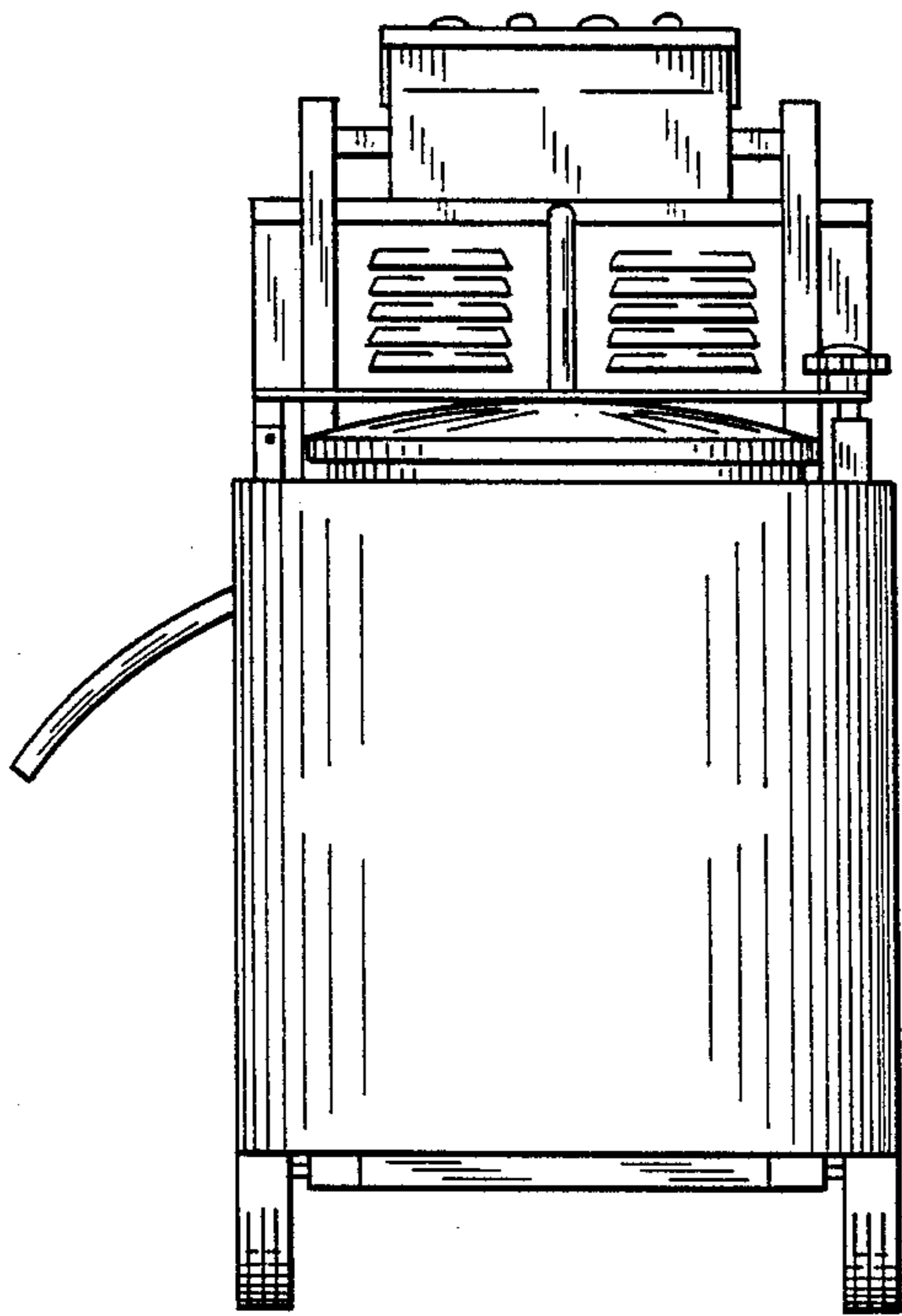


Fig. 6.

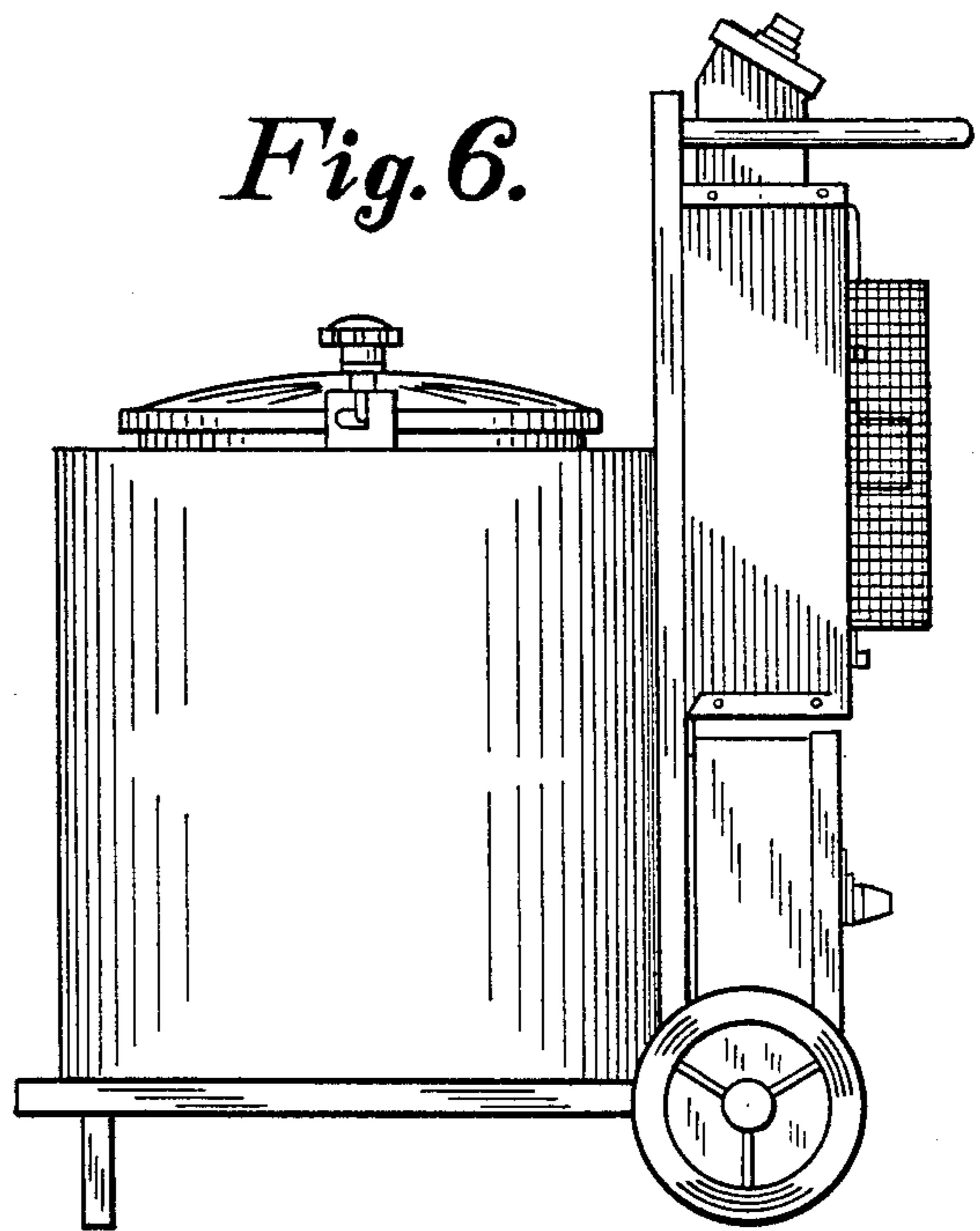


Fig. 7.

