

[54] **COMBINATION AQUARIUM AND TERRARIUM**
 [76] **Inventor: Neal K. Gallagher, Undertree Rd., Sandy Hook, Conn. 06482**
 [**] **Term: 14 Years**
 [21] **Appl. No.: 855,782**
 [22] **Filed: Apr. 18, 1986**
 [52] **U.S. Cl. D30/104; D11/145**
 [58] **Field of Search D30/101-108; D11/145; 119/5**

D. 254,874 4/1980 Totten D30/104
 1,908,939 5/1933 Venditti 119/5
 2,950,567 8/1960 Newman .
 3,848,357 11/1974 Messmer .
 4,086,876 5/1978 Moore et al. .
 4,300,478 11/1981 Wise .
 4,351,270 9/1982 Sabin .

Primary Examiner—James R. Largen
Attorney, Agent, or Firm—Terry M. Gernstein

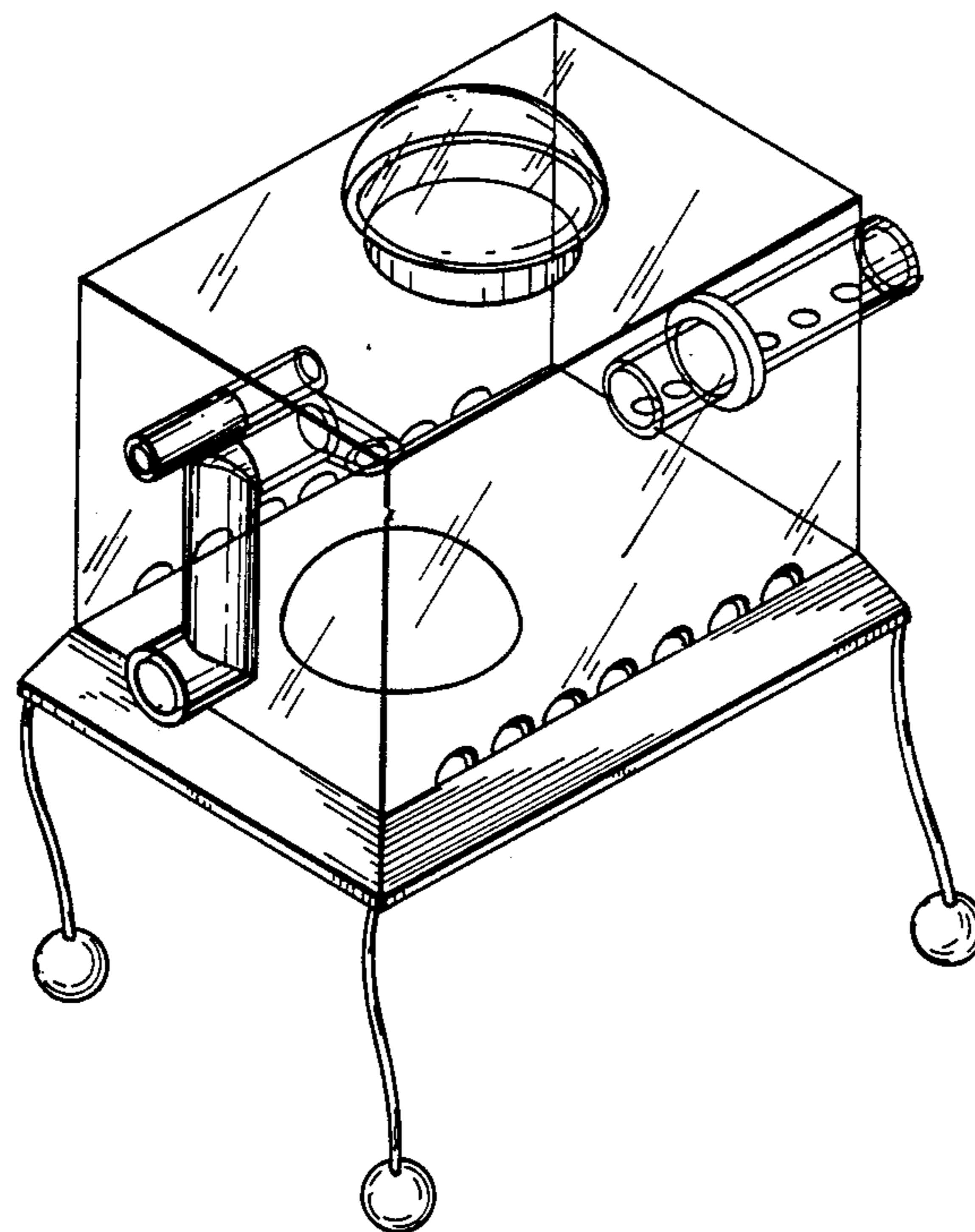
[57] **CLAIM**

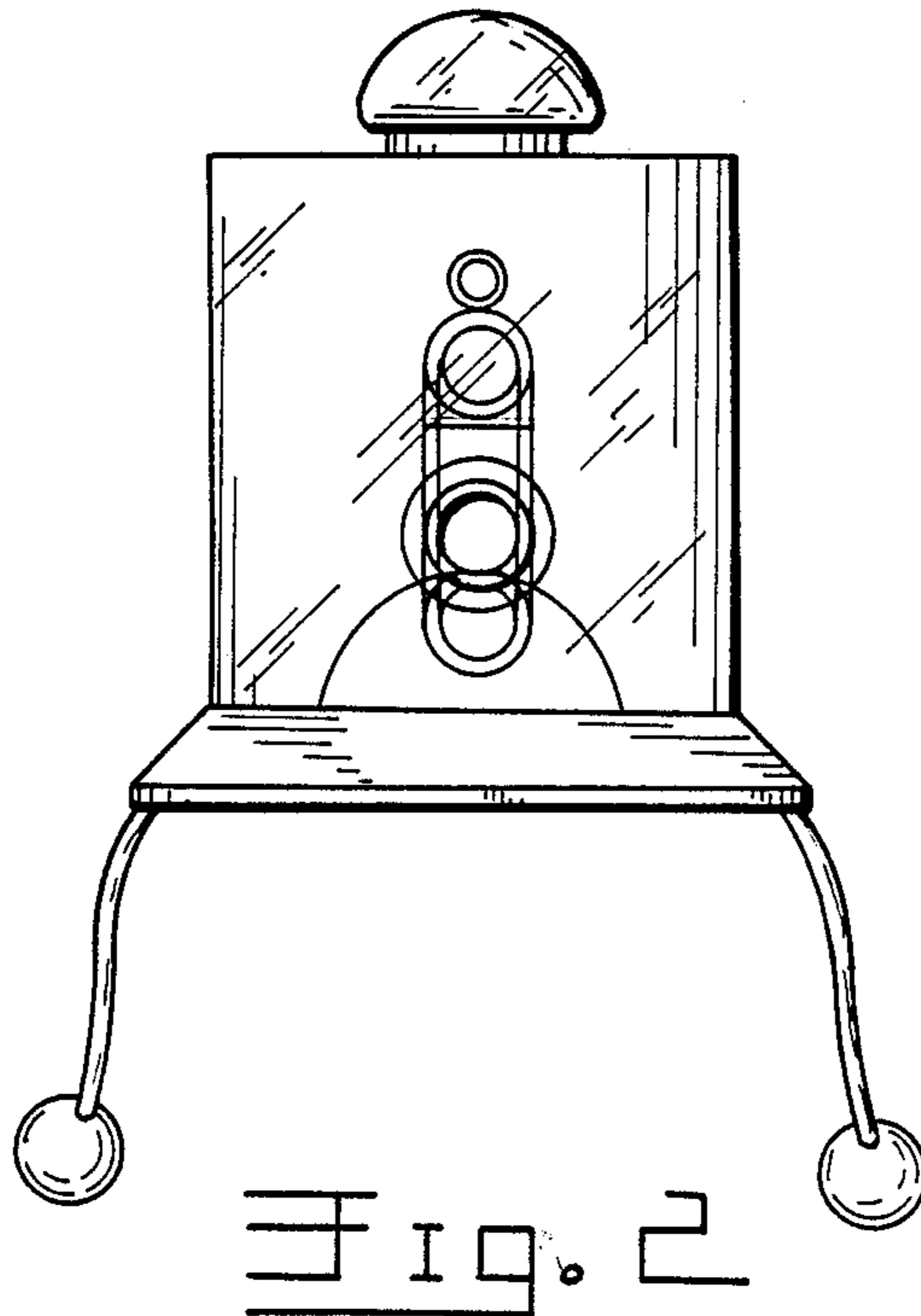
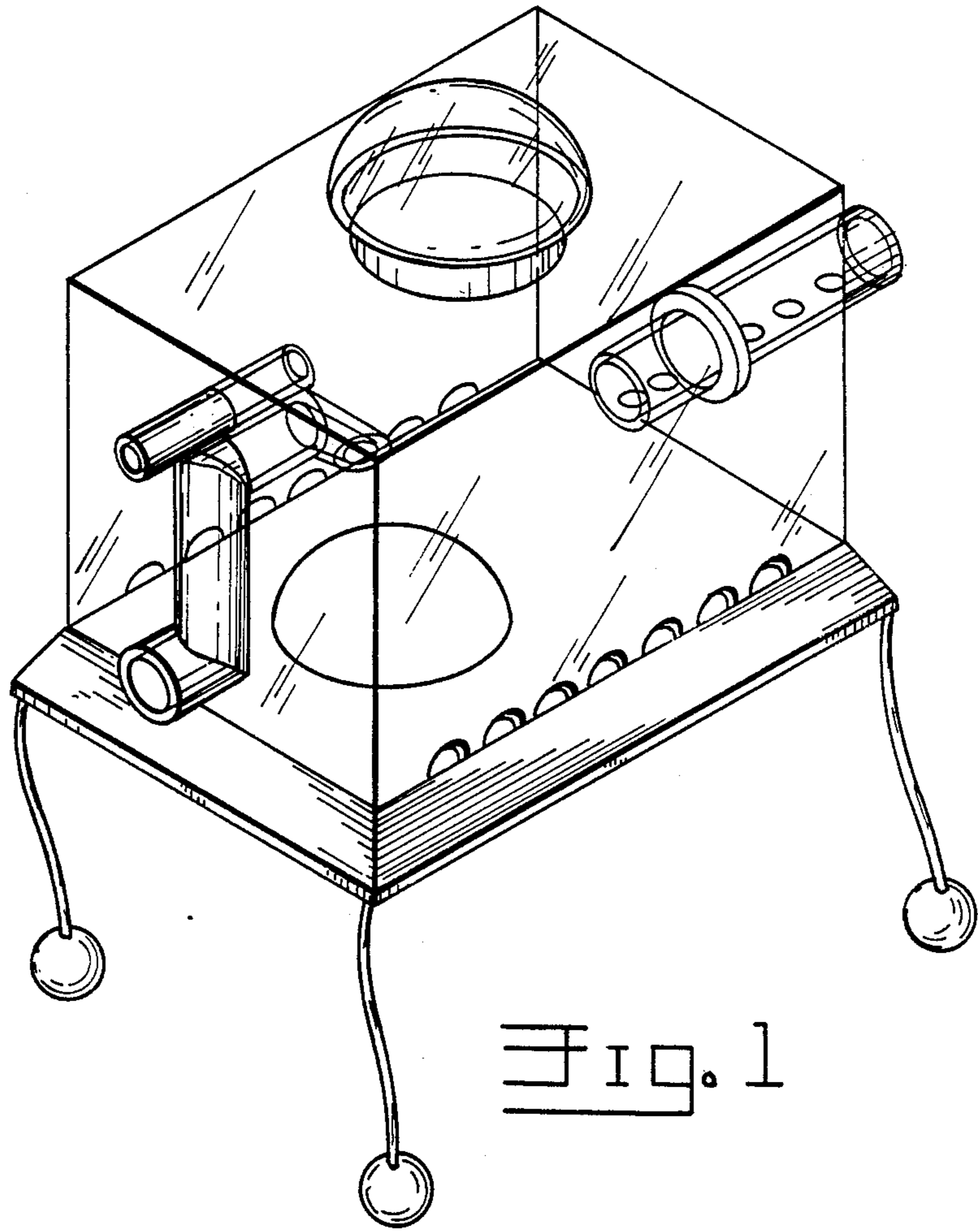
The ornamental design for a combination aquarium and terrarium, as shown and described.

DESCRIPTION

FIG. 1 is a top perspective view of a combination aquarium and terrarium showing my new design;
 FIG. 2 is an elevational view taken from the left end of FIG. 1;
 FIG. 3 is a side elevational view thereof, the opposite side being a mirror image of the side shown; and
 FIG. 4 is a top plan view thereof.

[56] **References Cited**
U.S. PATENT DOCUMENTS
 D. 233,938 12/1974 Shalom D30/101
 D. 234,087 1/1975 Johnson D30/101
 D. 238,688 2/1976 Sholom D30/101
 D. 243,113 1/1977 Hirsch .
 D. 249,432 9/1978 Pearce et al. D30/101 X





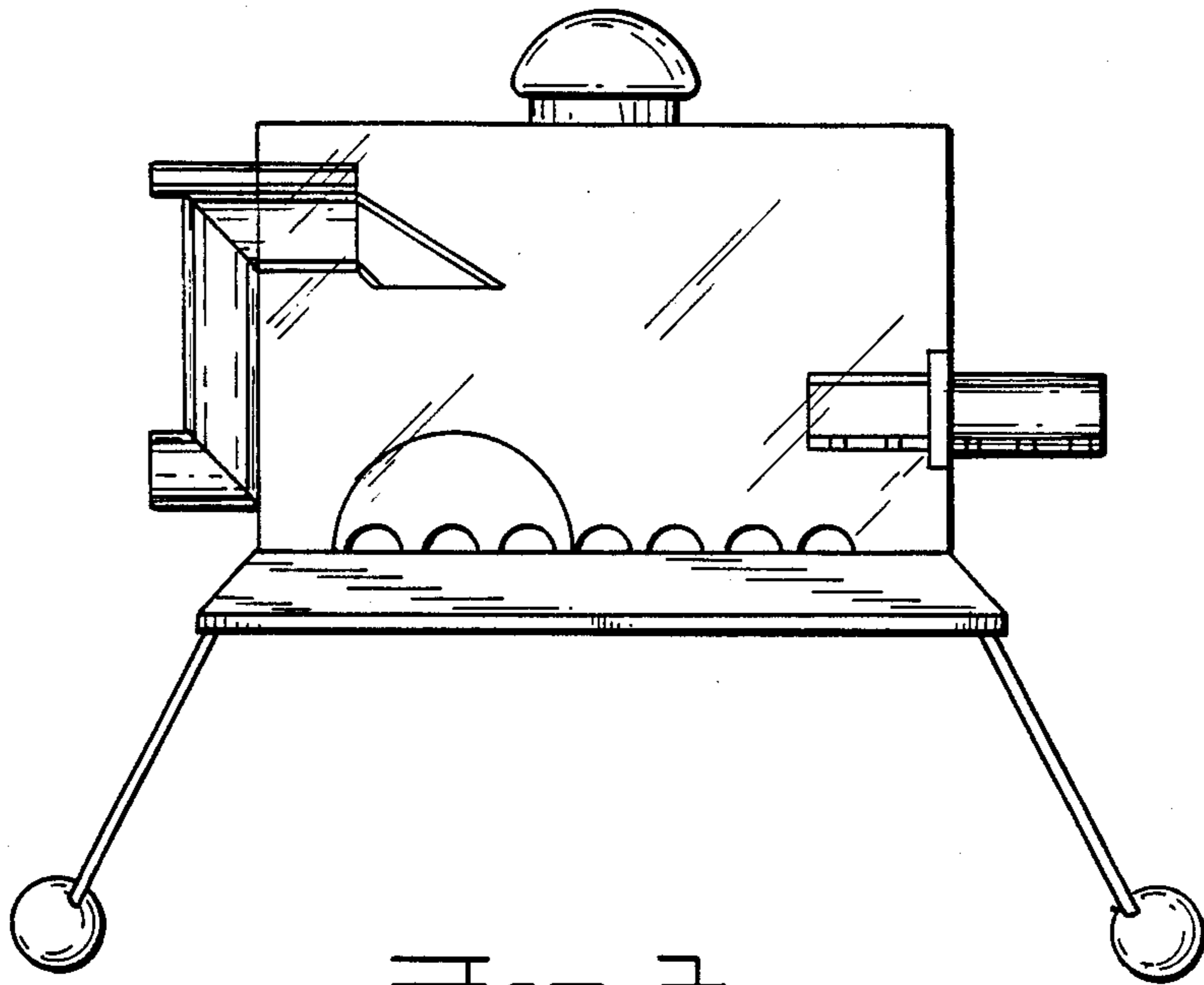


Fig. 3

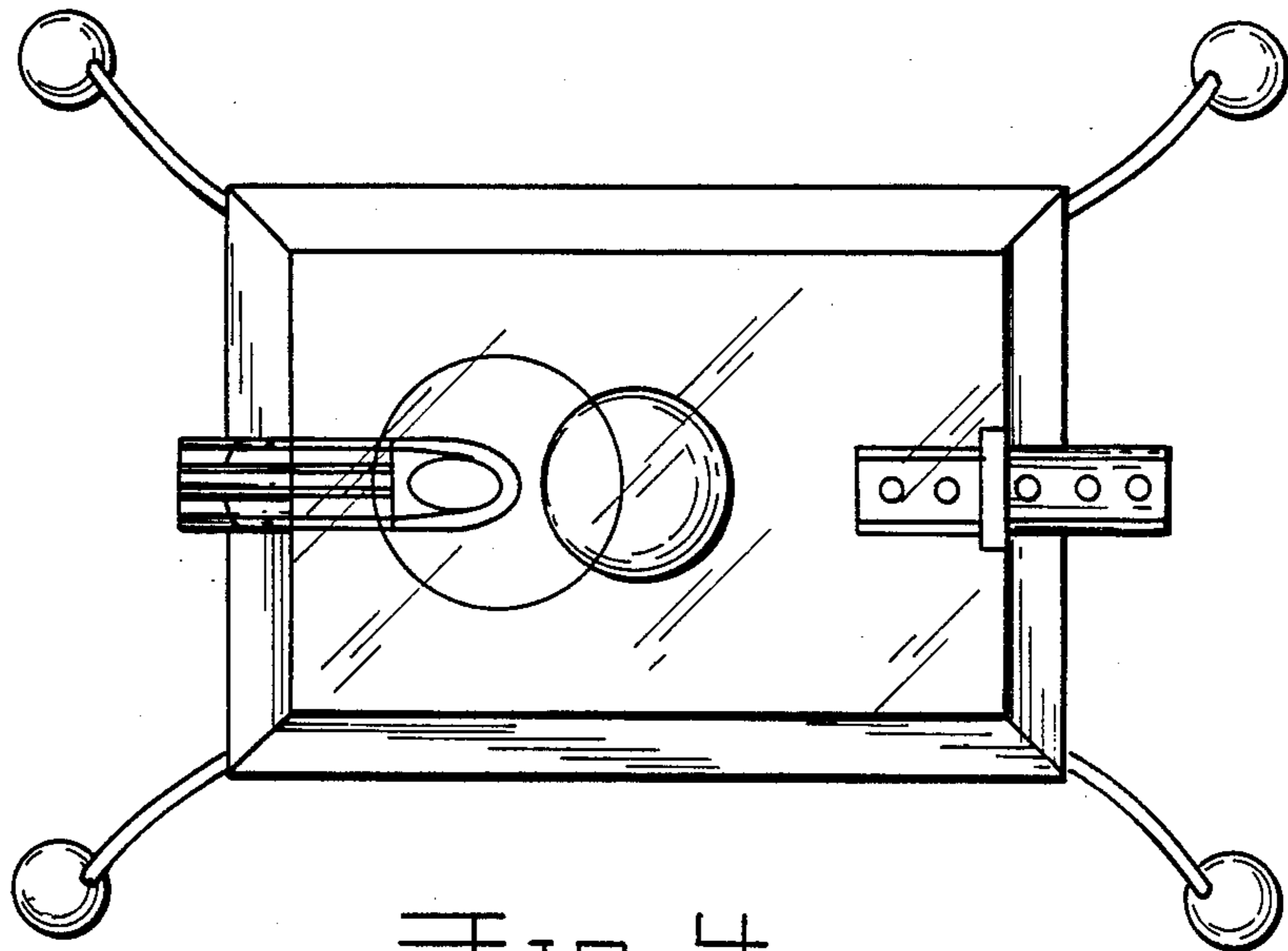


Fig. 4