

[54] EXTERIOR LUMINAIRE

[75] Inventors: Ray A. Flannery, Spring; Donald S. Kuhnel, Houston, both of Tex.

[73] Assignee: Innovative Controls, Inc., Houston, Tex.

[**] Term: 14 Years

[21] Appl. No.: 59,840

[22] Filed: Jun. 9, 1987

[52] U.S. Cl. D26/71

[58] Field of Search D26/67-71; 362/431, 432, 362, 363, 310

[56] References Cited

U.S. PATENT DOCUMENTS

D. 205,411	8/1966	Pettengill	D26/71
D. 277,701	2/1985	di Candia	D26/67
4,433,367	2/1984	Shelby et al.	362/431 X

4,595,971 6/1986 Dean 362/431 X

Primary Examiner—Susan J. Lucas
Attorney, Agent, or Firm—Vaden, Eickenroht,
Thompson & Boulware

[57] CLAIM

The ornamental design for an exterior luminaire design, as shown and described.

DESCRIPTION

FIG. 1 is a top, front perspective view of an exterior luminaire showing our new design;

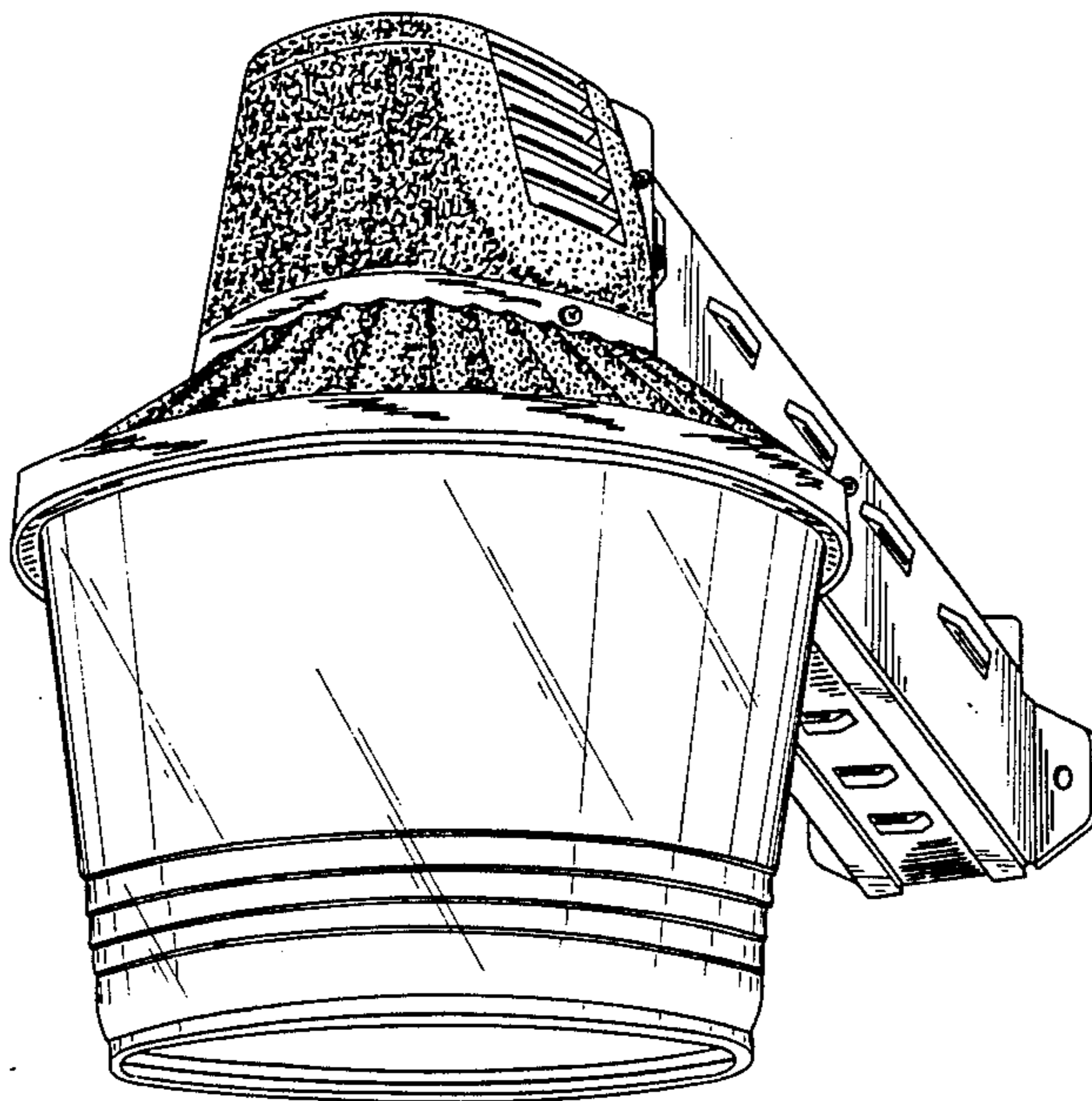
FIG. 2 is a side elevational view thereof on a reduced scale;

FIG. 3 is an opposite side elevational view thereof on a reduced scale;

FIG. 4 is a top plan view thereof on a reduced scale;

FIG. 5 is a rear elevational view thereof on a reduced scale;

FIG. 6 is a bottom plan view thereof on a reduced scale.



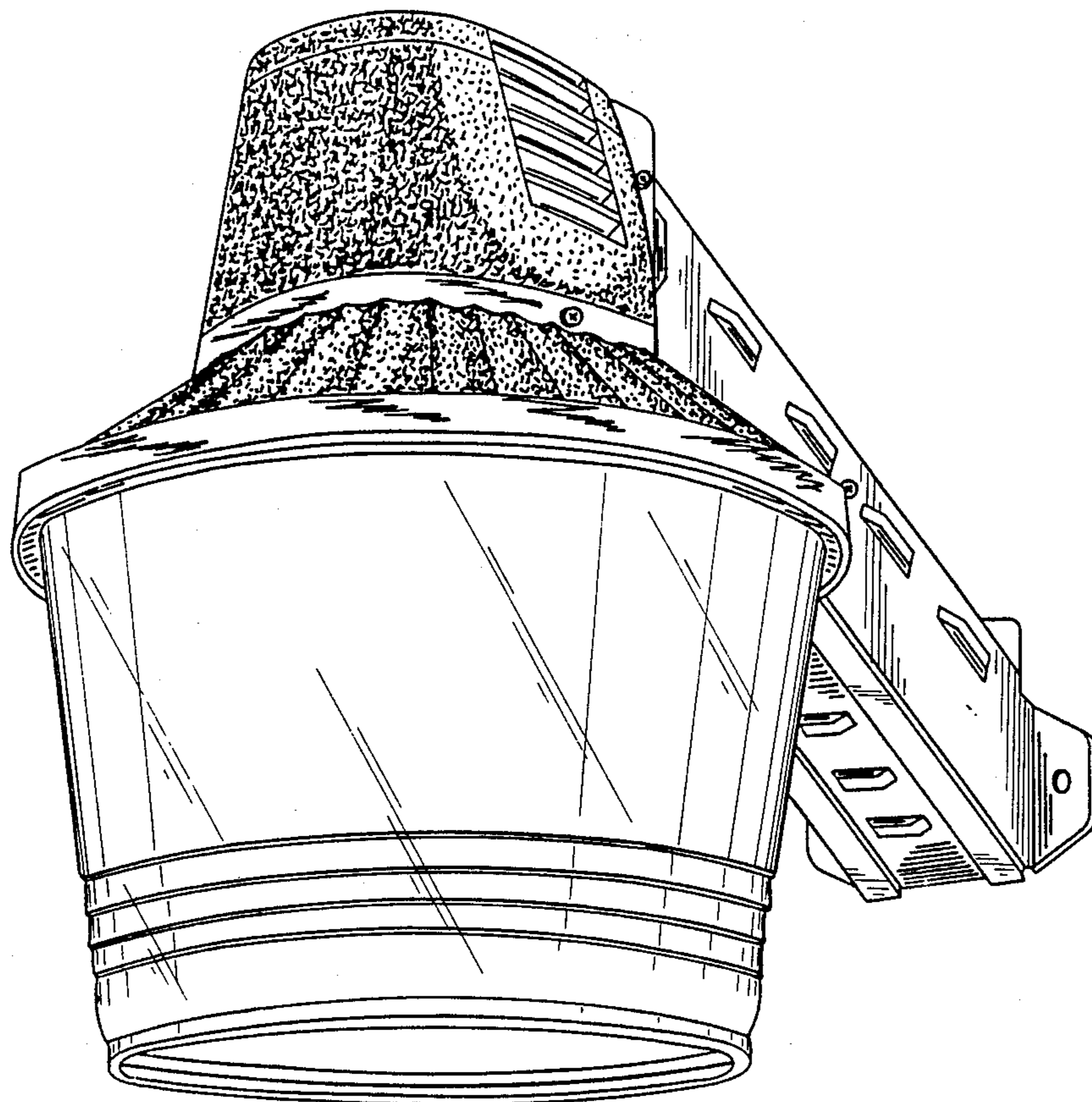


FIGURE 1

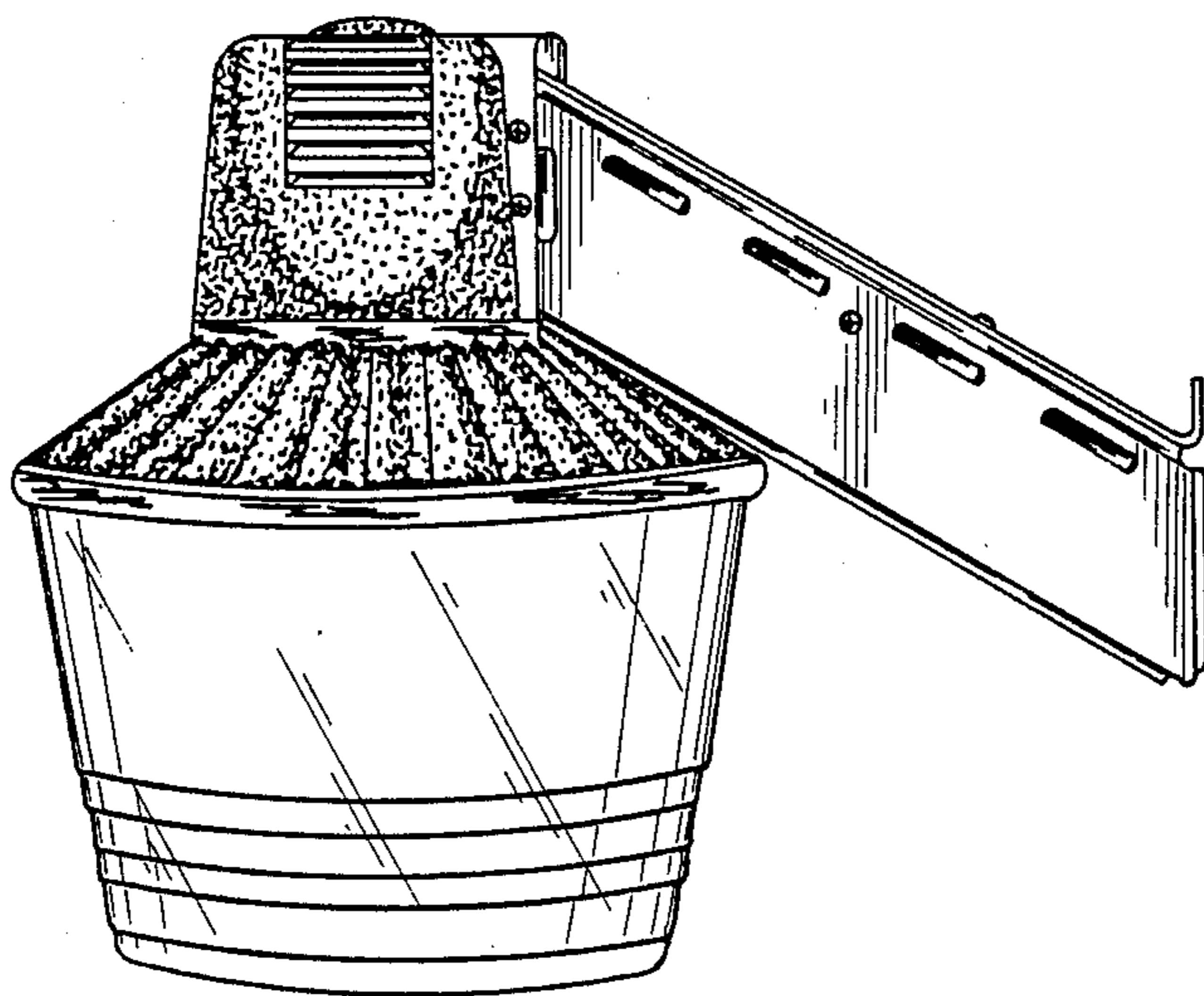


FIGURE 2

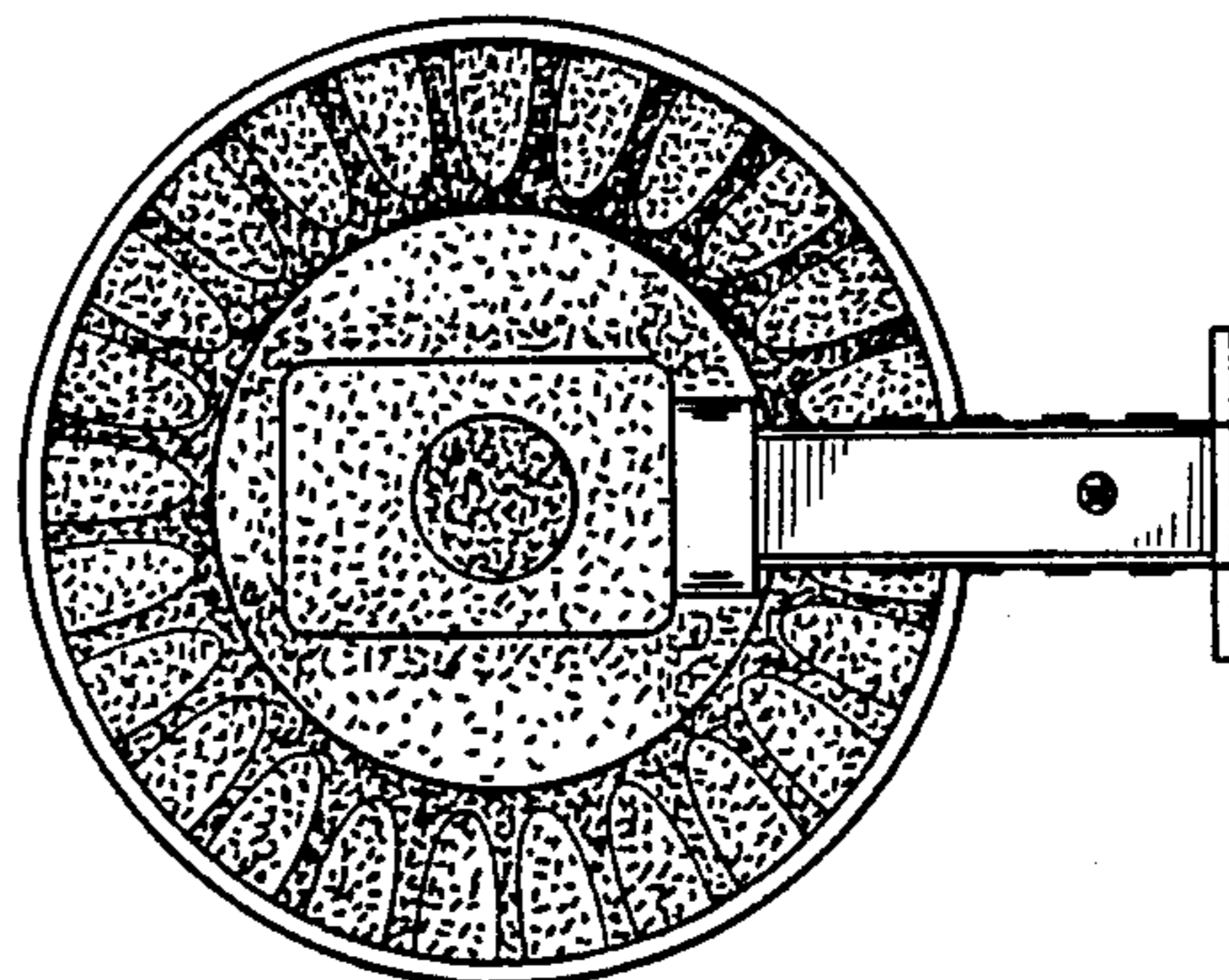


FIGURE 4

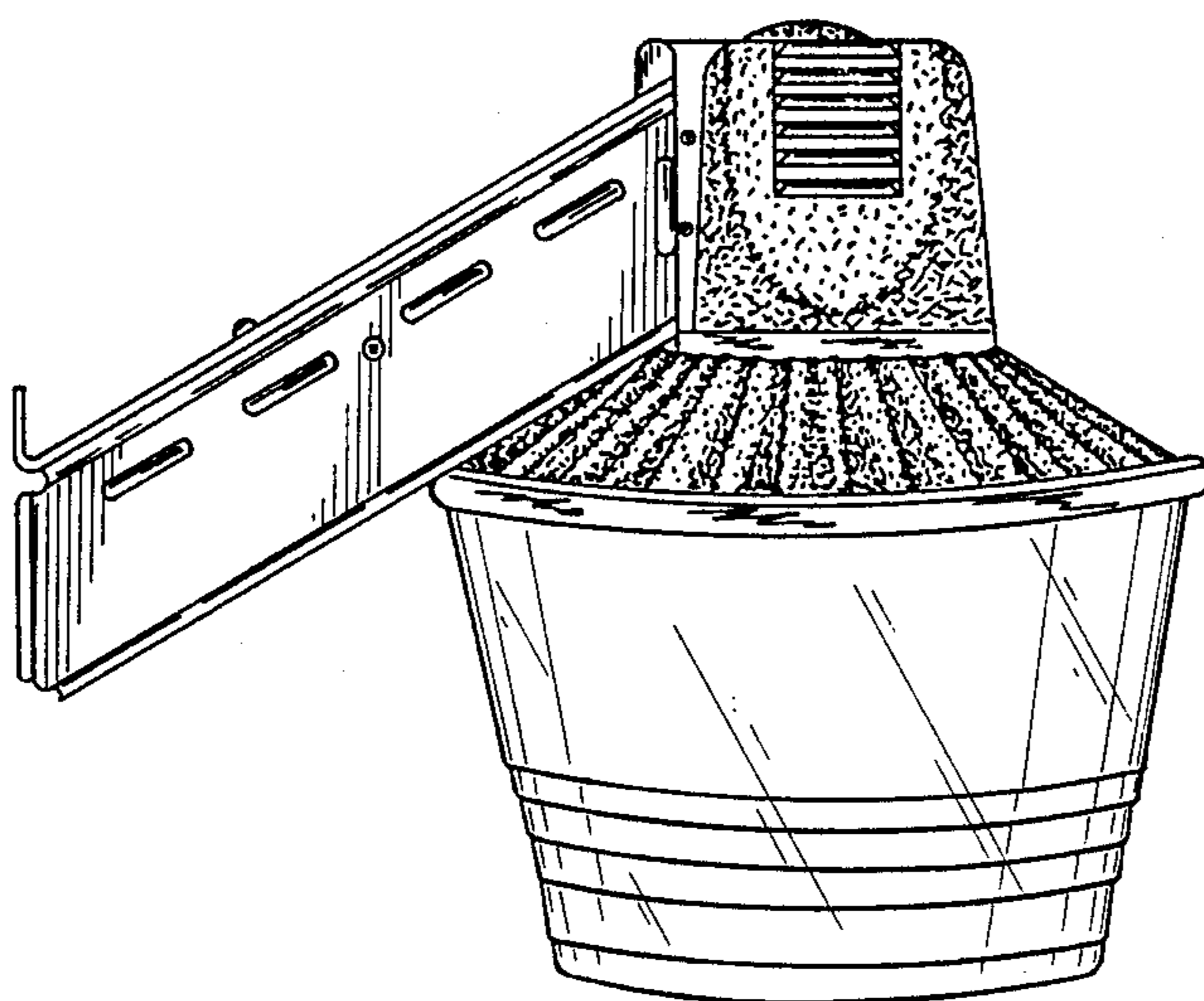


FIGURE 3

FIGURE 5

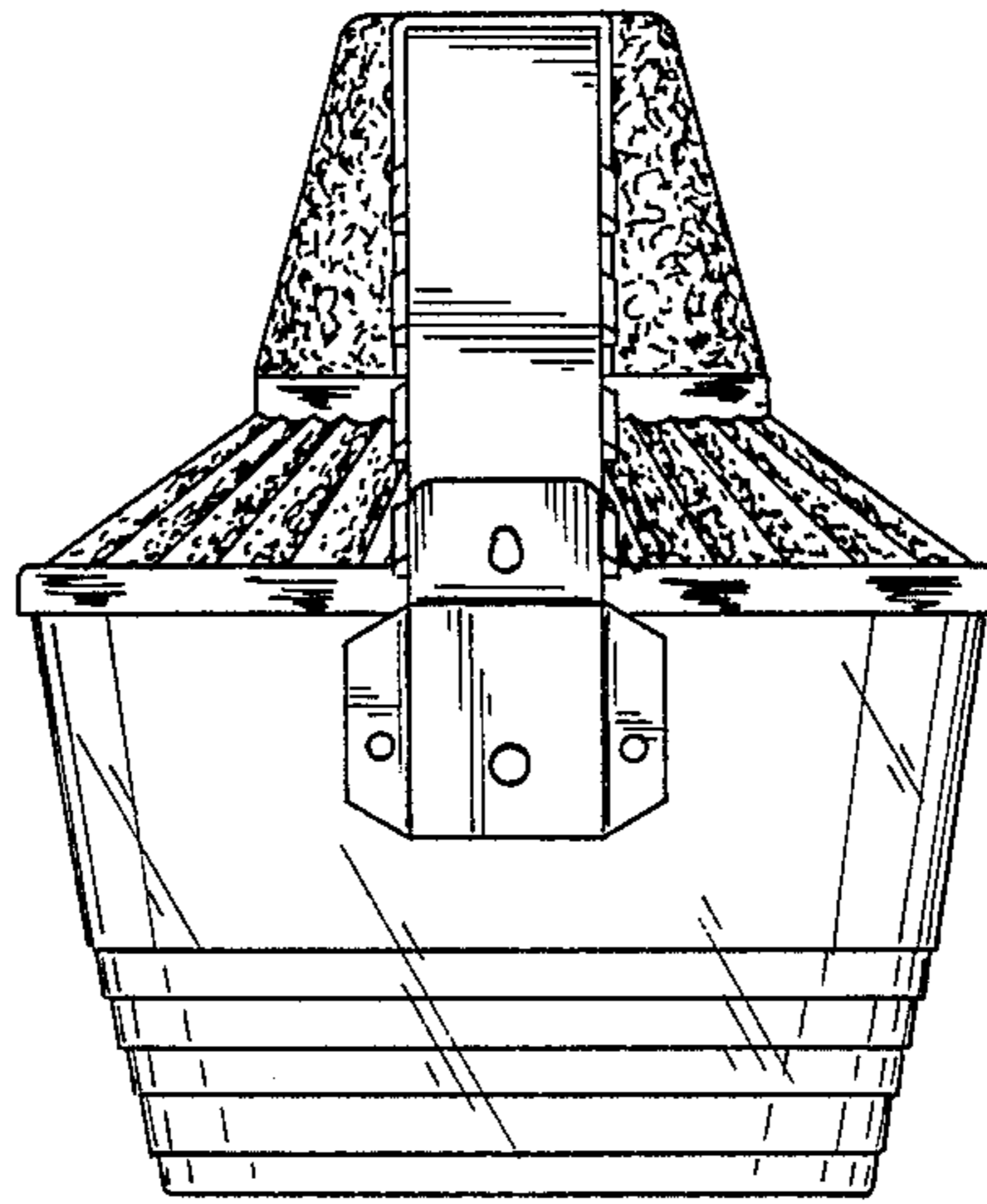


FIGURE 6

