

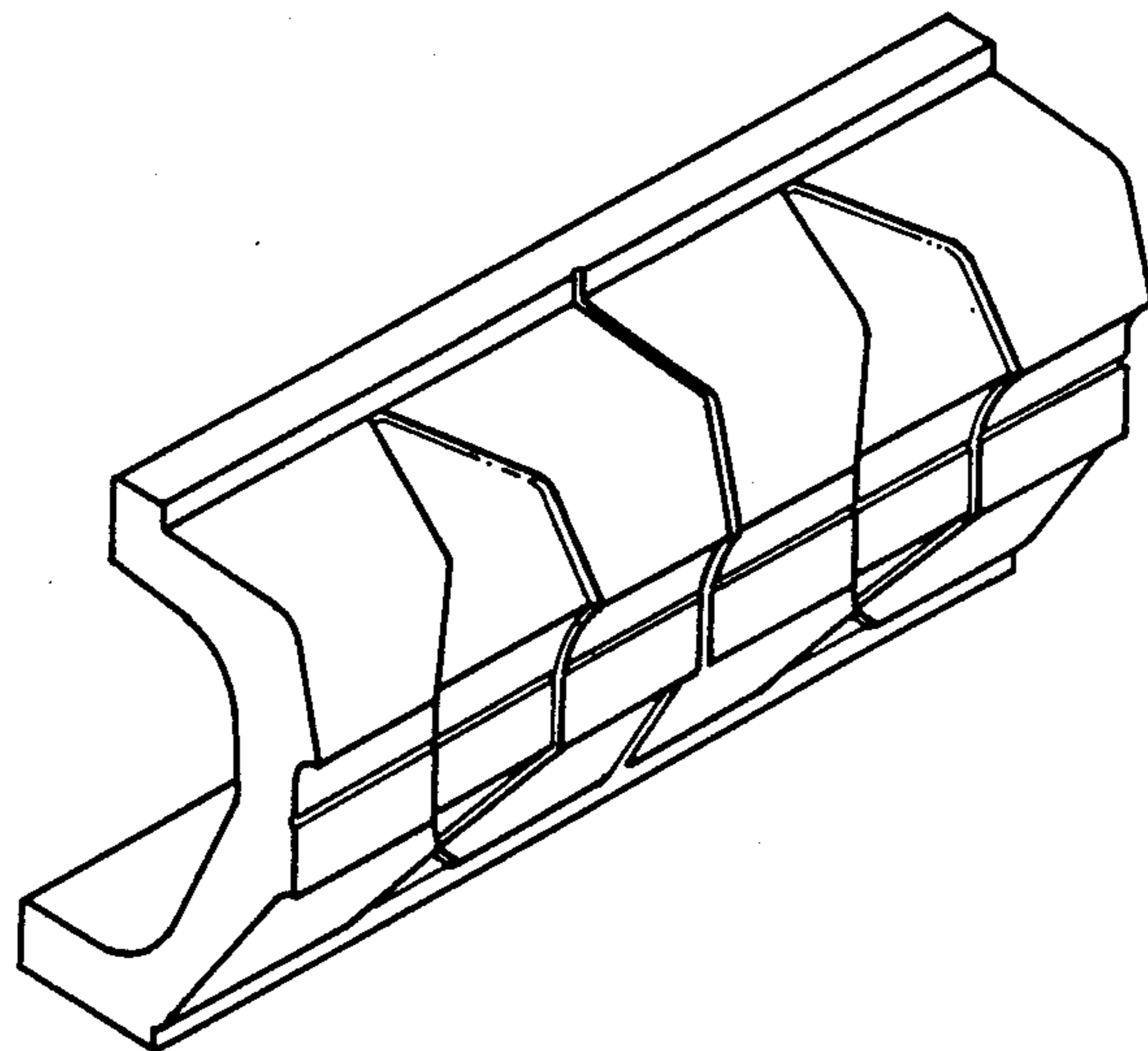
[54] **TERRA COTTA FACING FOR BUILDINGS**
[76] **Inventor: Eric P. Gazley, 1308 SE. 47th Ave.,
Portland, Oreg. 97215**
[**] **Term: 14 Years**
[21] **Appl. No.: 923,756**
[22] **Filed: Oct. 27, 1986**
[52] **U.S. Cl. D25/138; D25/113;
D25/164**
[58] **Field of Search 52/311, 312, 716;
D25/113, 164, 138**

[56] **References Cited**
U.S. PATENT DOCUMENTS
D. 56,704 11/1920 Mueller D25/164 X
129,450 7/1872 Appleton 52/716

3,216,875 11/1965 Wenthe 52/716 X
Primary Examiner—A. Hugo Word
*Attorney, Agent, or Firm—Chernoff, Vilhauer, McClung
& Stenzel*

[57] **CLAIM**
The ornamental design for a terra cotta facing for build-
ings, as shown.

DESCRIPTION
FIG. 1 is a perspective view of a terra cotta facing for
buildings embodying my new design;
FIG. 2 is a side elevational view thereof;
FIG. 3 is a rear view thereof;
FIG. 4 is a top view thereof;
FIG. 5 is a front view thereof;
FIG. 6 is bottom view thereof.



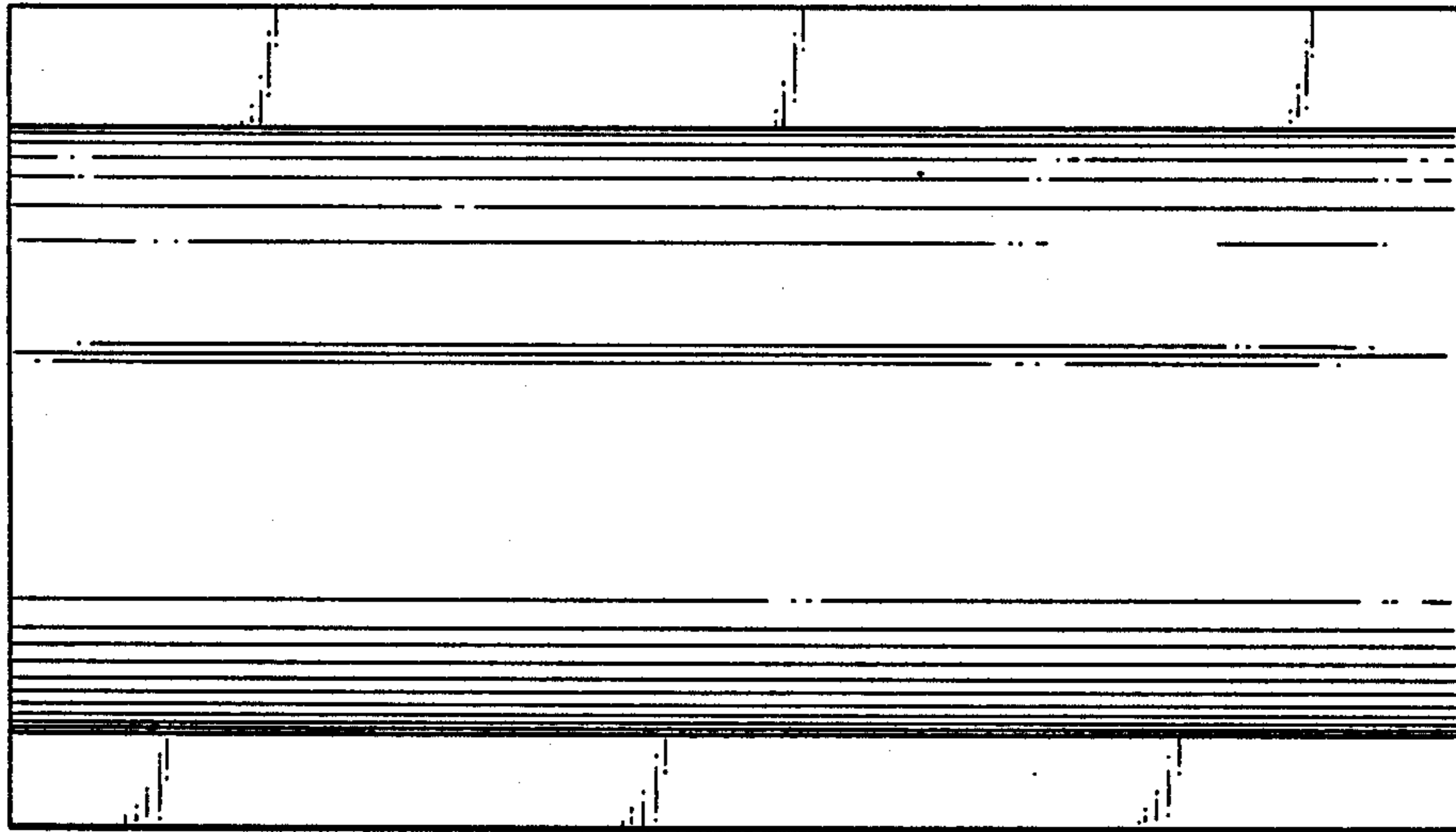


FIG. 3

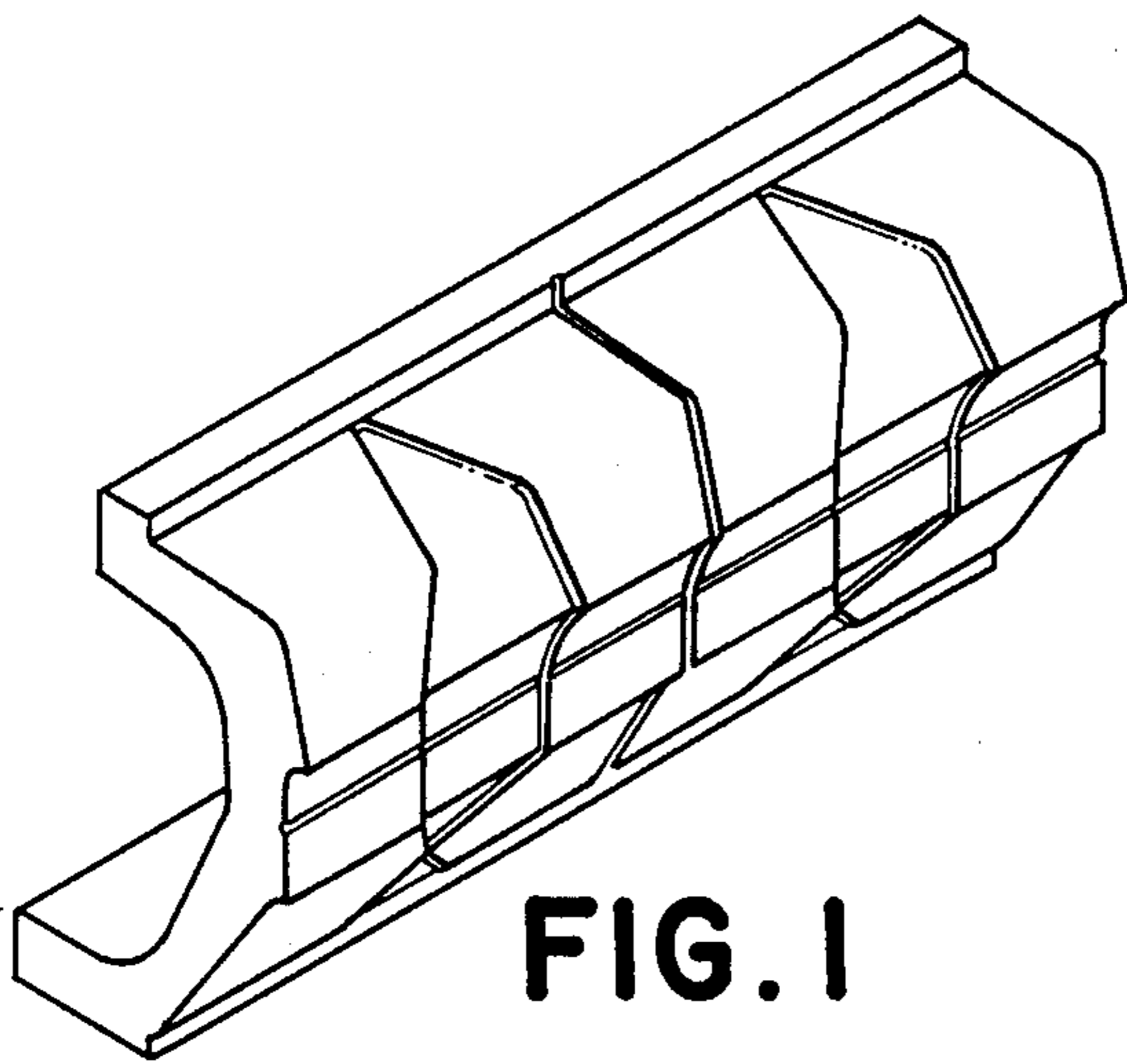


FIG. 1

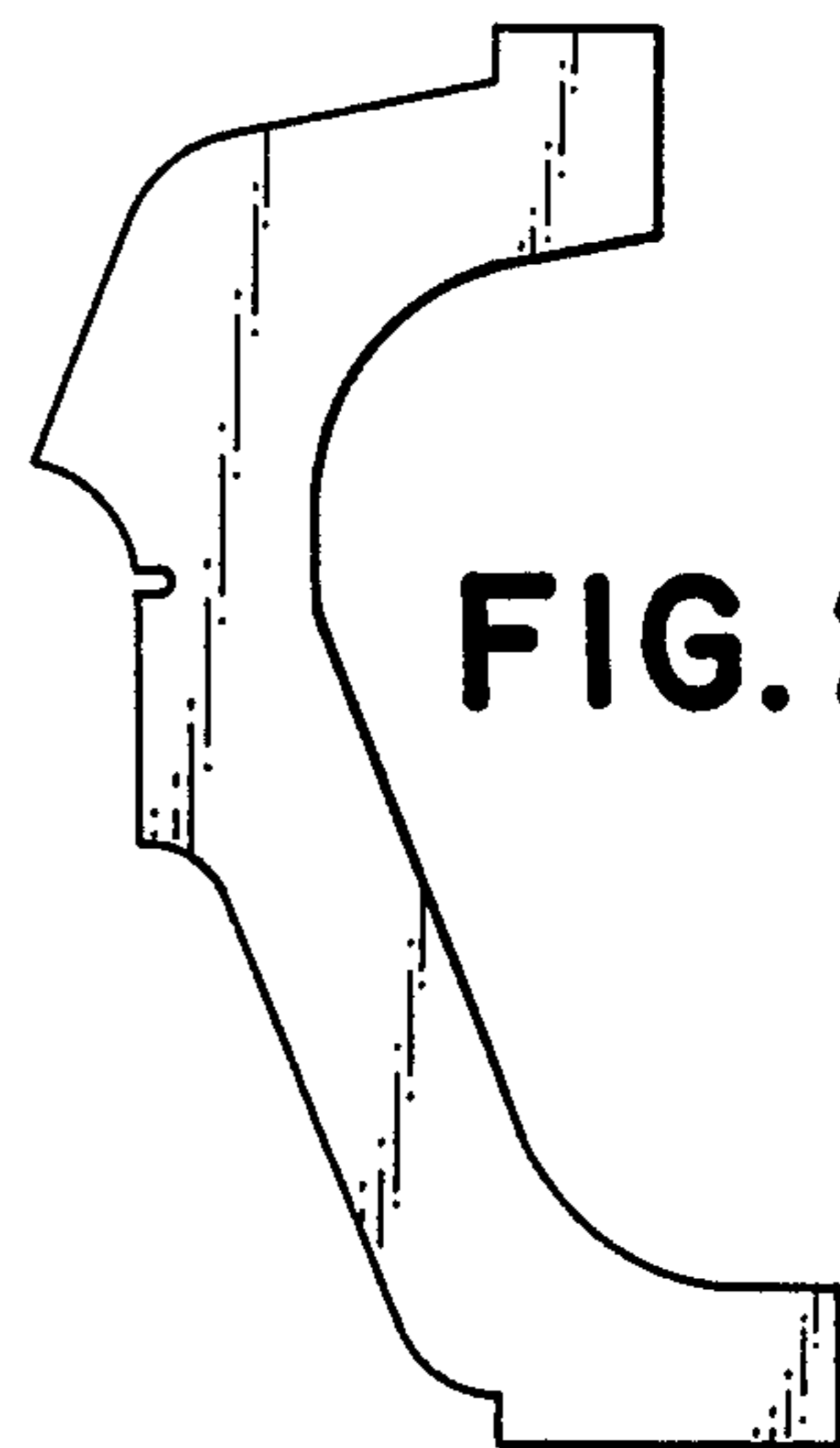


FIG. 2

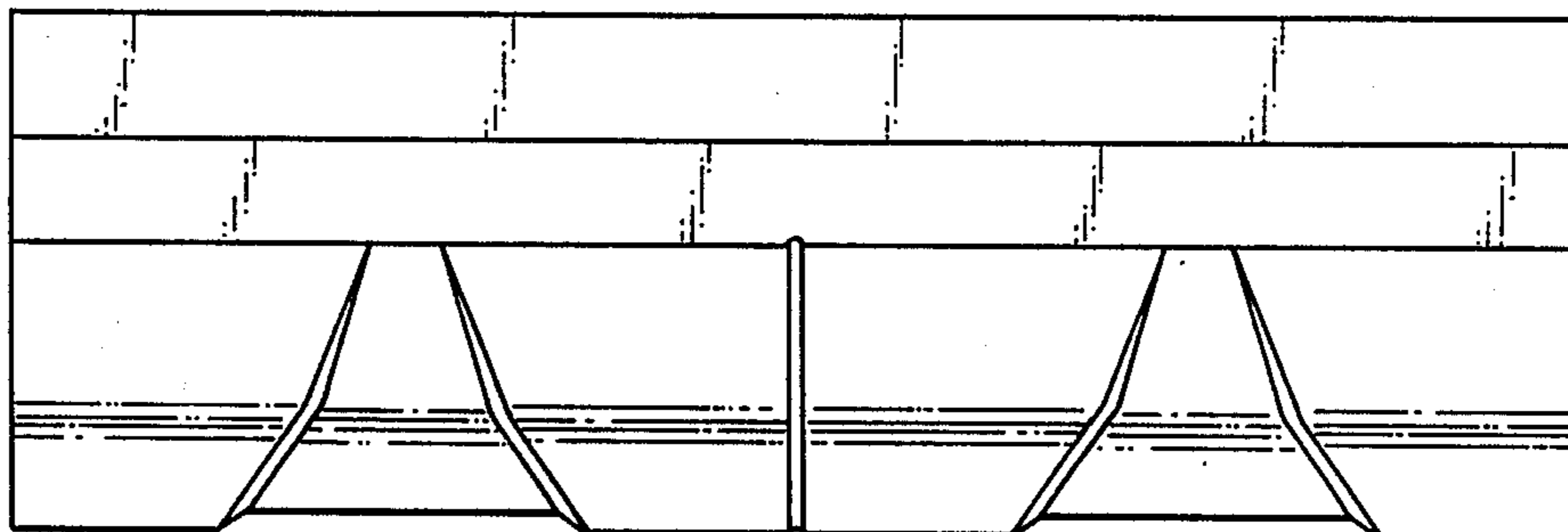


FIG. 4

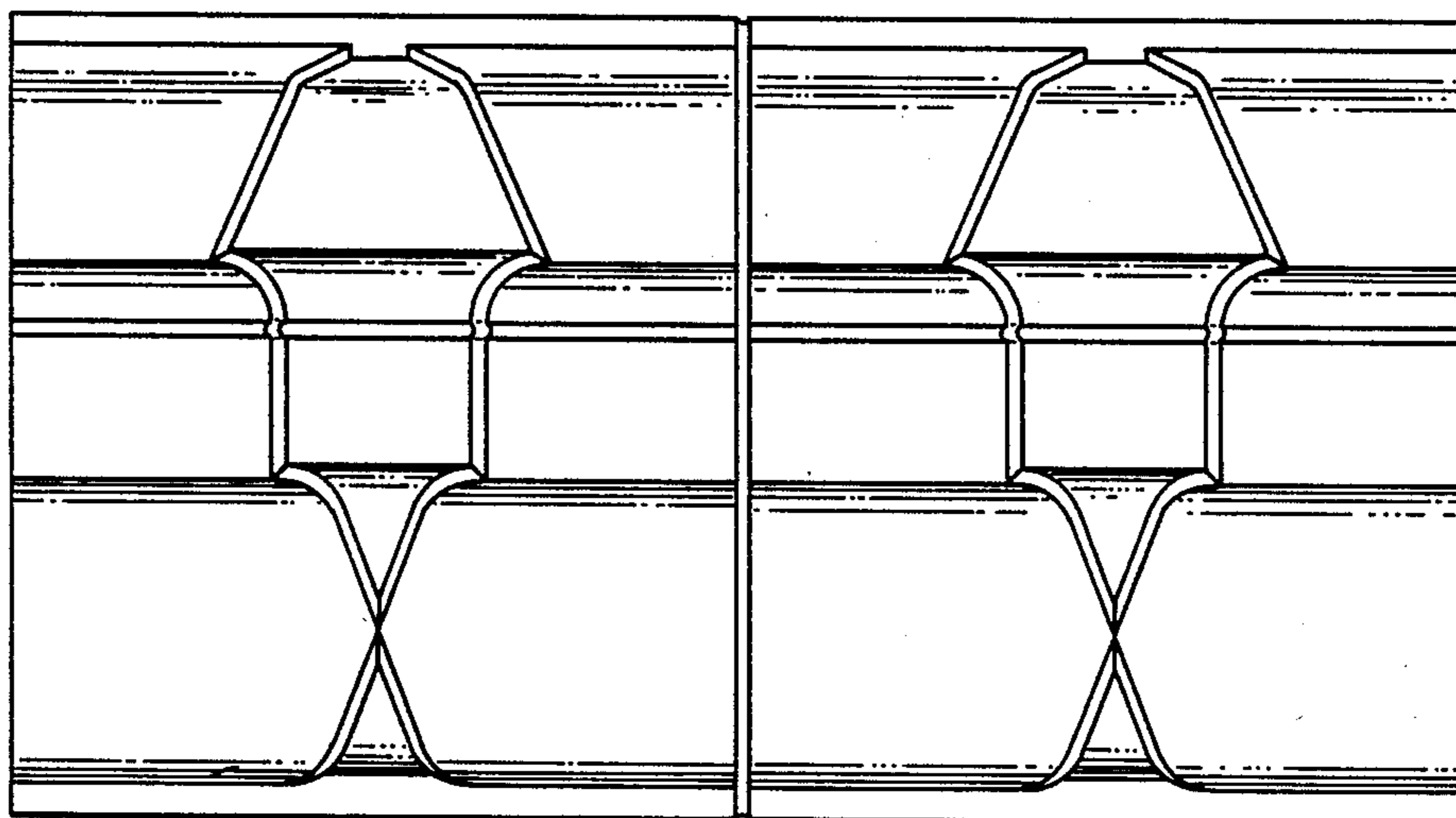


FIG. 5

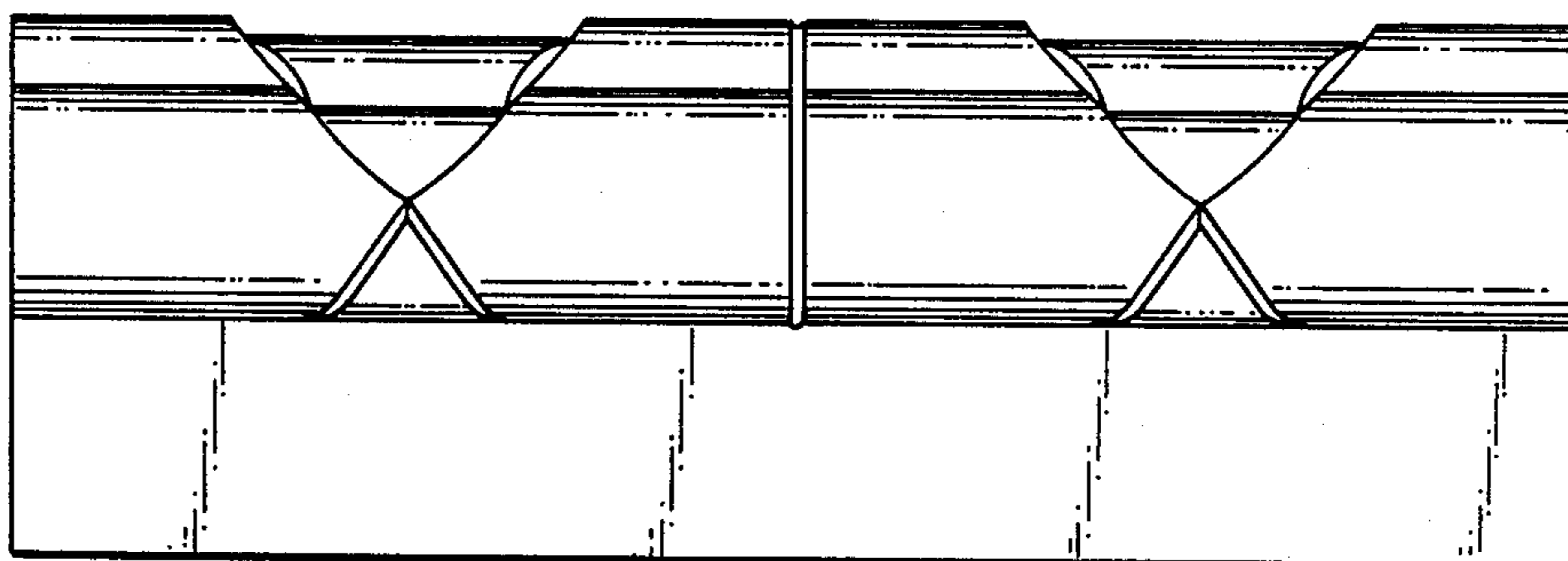


FIG. 6