

[54] FEMININE URINARY CONDUIT

[75] Inventors: Lore H. McGovern, Nashua, N.H.;  
Alix A. Moore, Santa Ana, Calif.

[73] Assignee: Apex Corporation, San Mateo, Calif.

[\*\*] Term: 14 Years

[21] Appl. No.: 922,106

[22] Filed: Oct. 22, 1986

[52] U.S. Cl. .... D24/54

[58] Field of Search ..... D24/54, 51; 604/329;  
4/144.3, 144.4; 128/761

[56] References Cited

U.S. PATENT DOCUMENTS

D. 130,764	12/1941	Webb	.....	D24/54
2,878,486	3/1959	Bartlett et al.	.....	4/144.4
3,572,318	3/1971	Garland	.....	4/144.3

FOREIGN PATENT DOCUMENTS

0158602 10/1985 European Pat. Off. .... 604/329

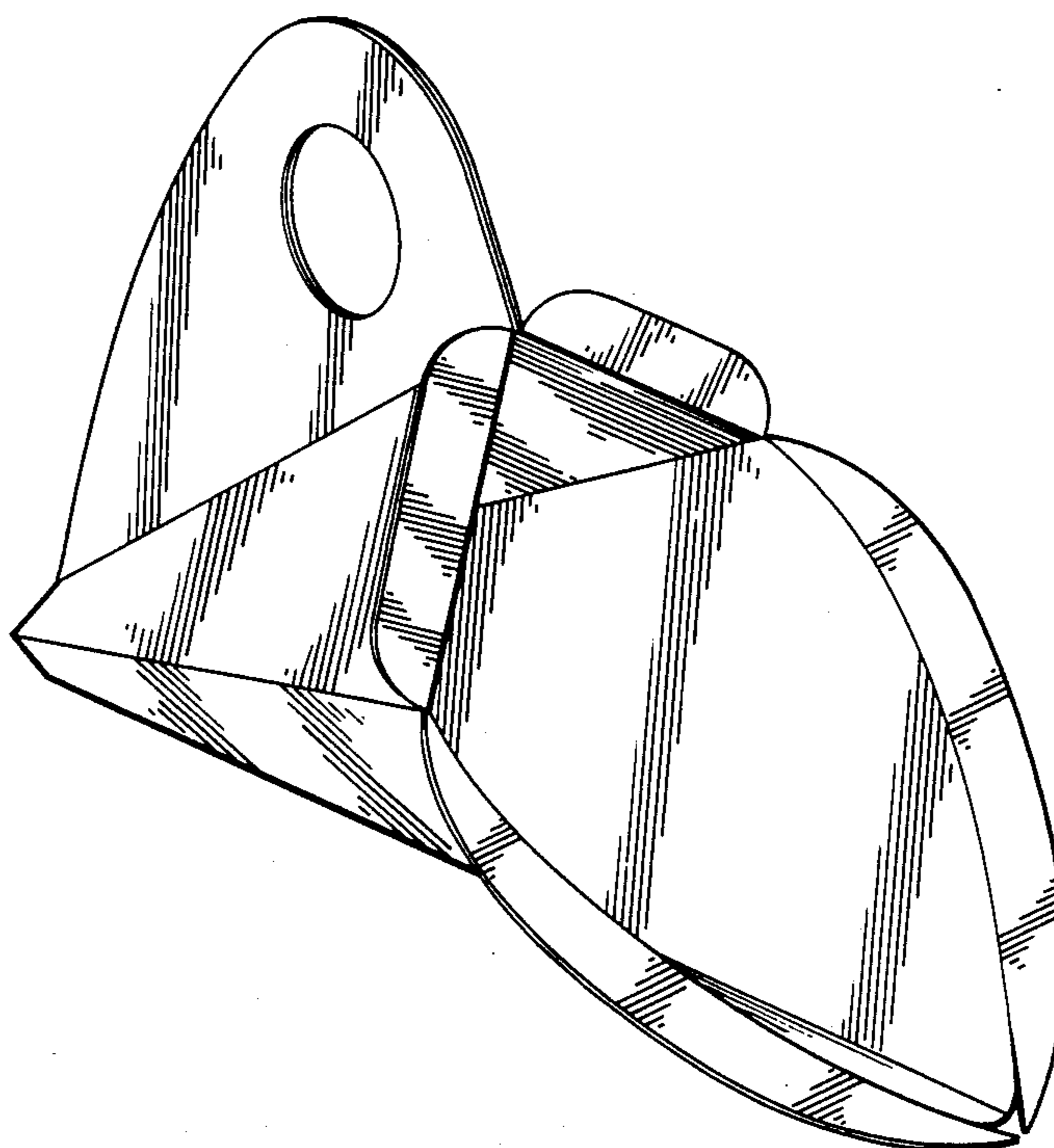
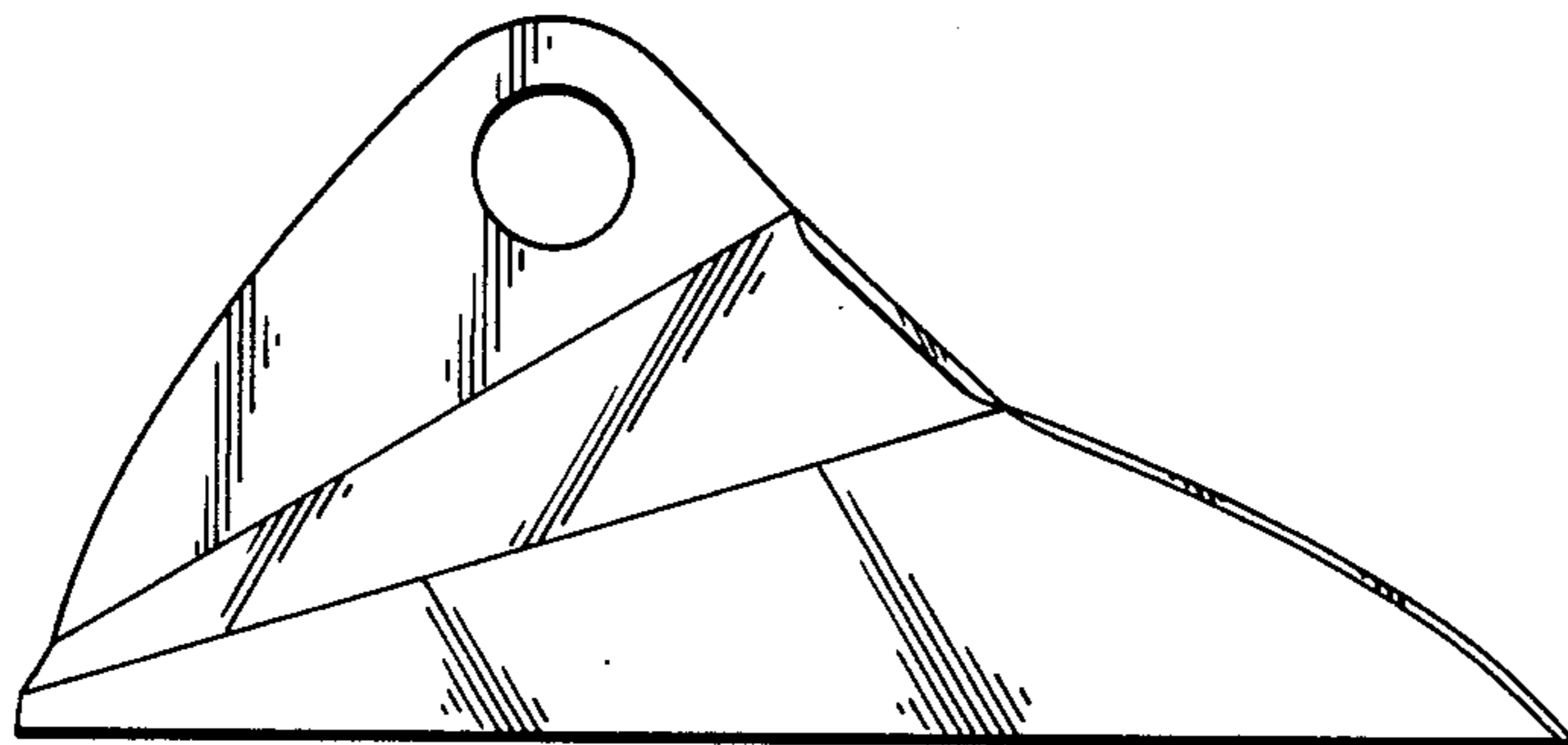
Primary Examiner—Wallace R. Burke  
Assistant Examiner—Stella M. Reid  
Attorney, Agent, or Firm—Fliesler, Dubb, Meyer &  
Lovejoy

[57] CLAIM

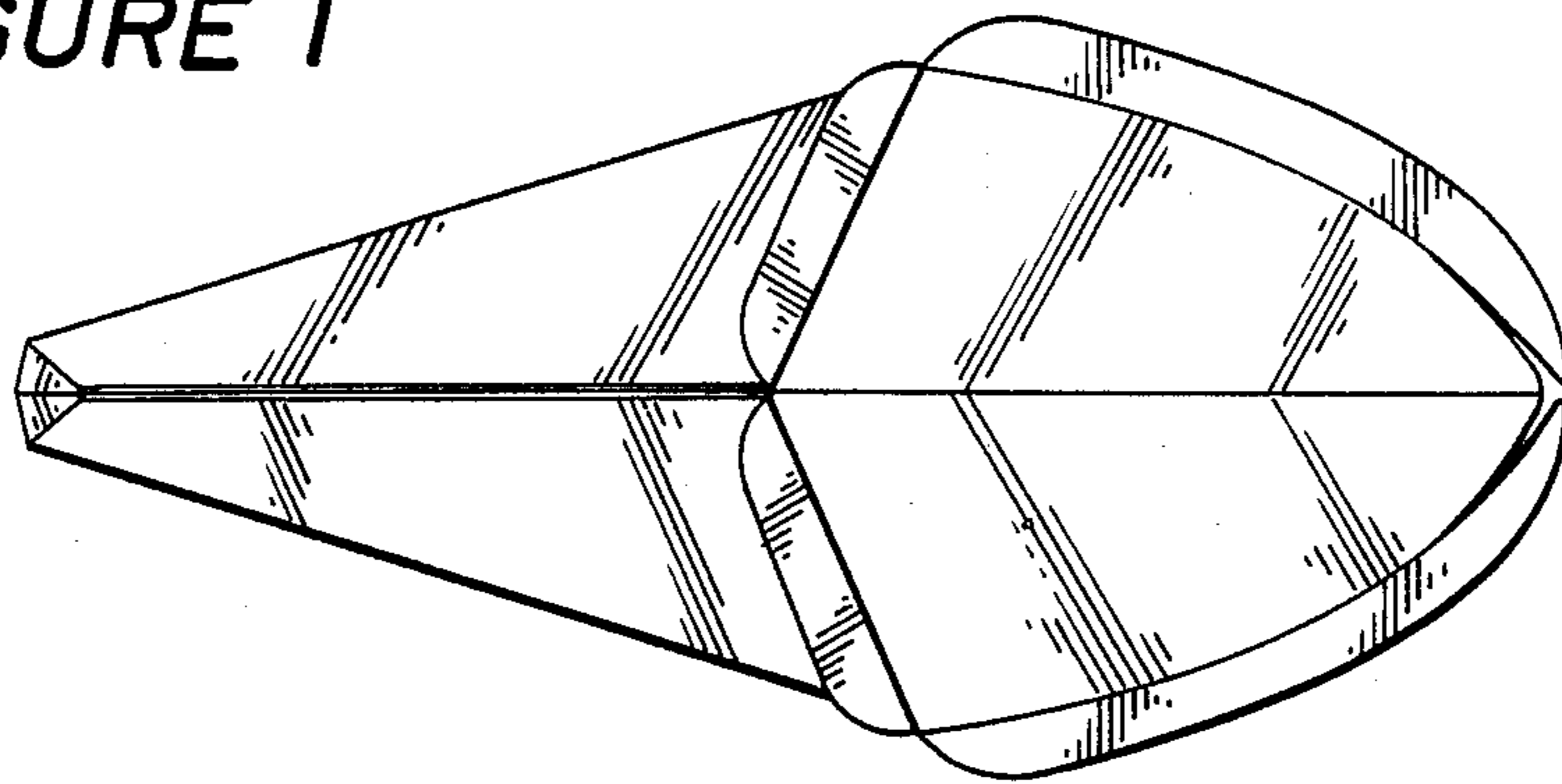
The ornamental design for a feminine urinary conduit,  
as shown and described.

DESCRIPTION

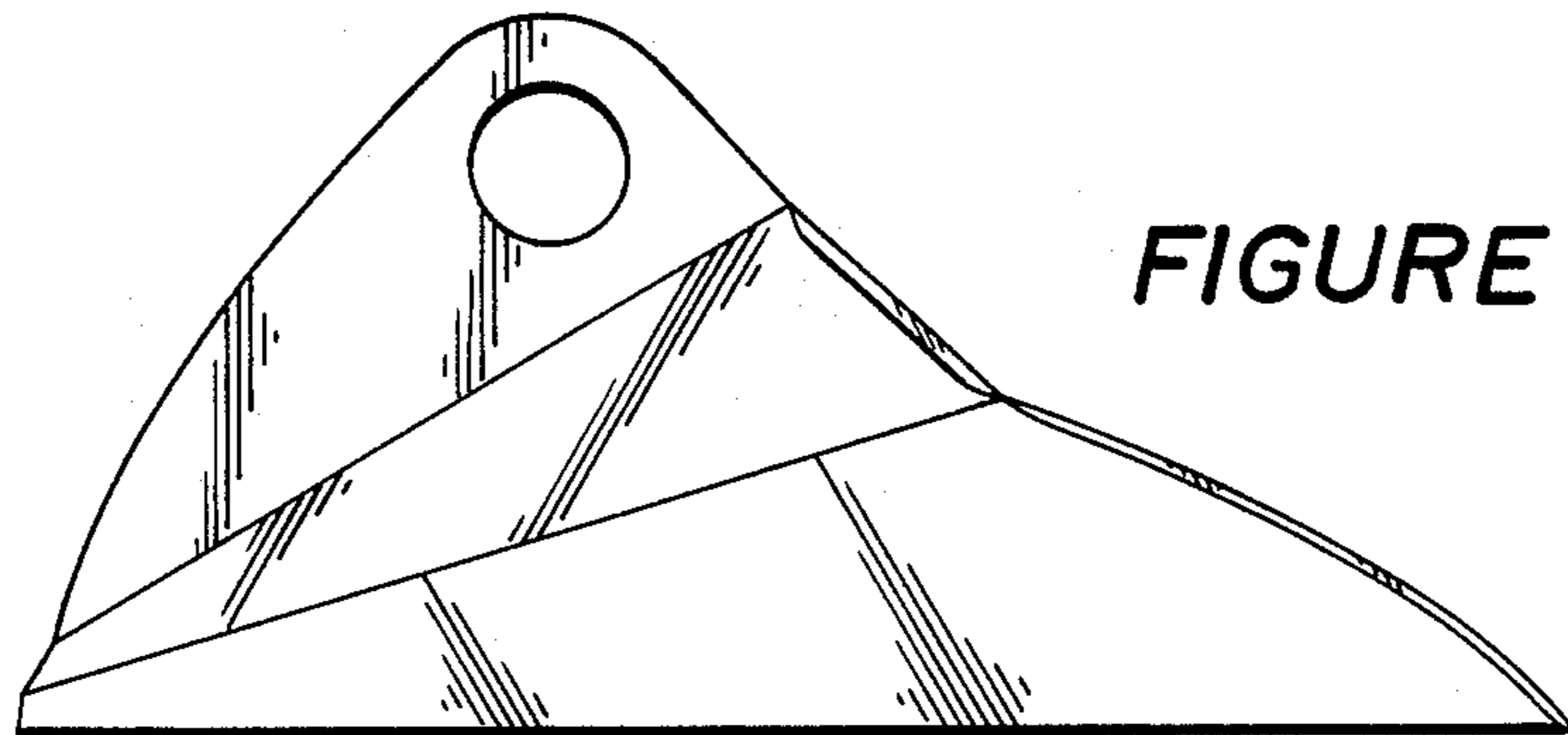
FIG. 1 is a top plan view of a feminine unitary conduit,  
showing our new design;  
FIG. 2 is a left side elevational view thereof;  
FIG. 3 is a right side elevational view thereof;  
FIG. 4 is a bottom plan view thereof;  
FIG. 5 is a perspective view thereof; and  
FIG. 6 is a left side perspective view thereof.



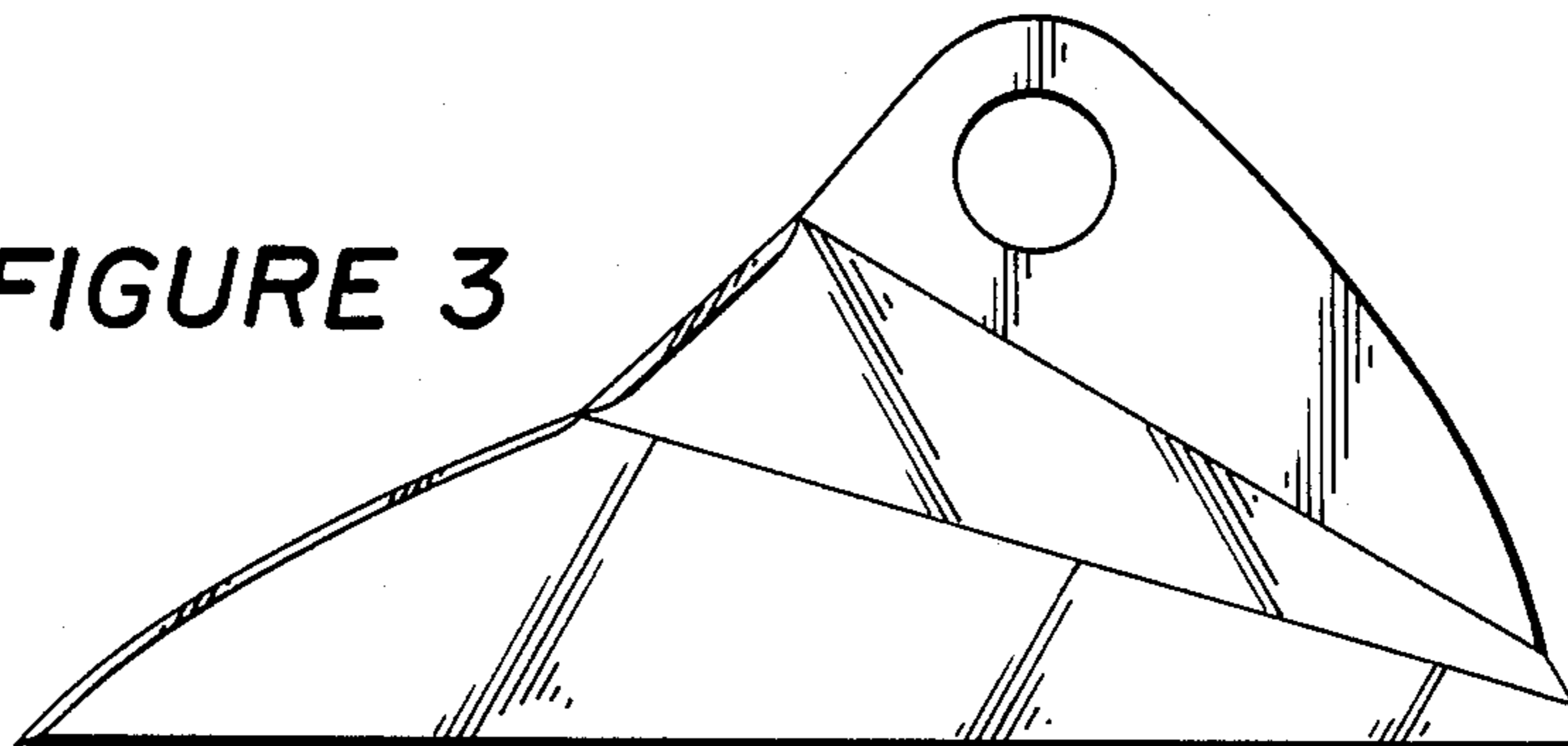
**FIGURE 1**



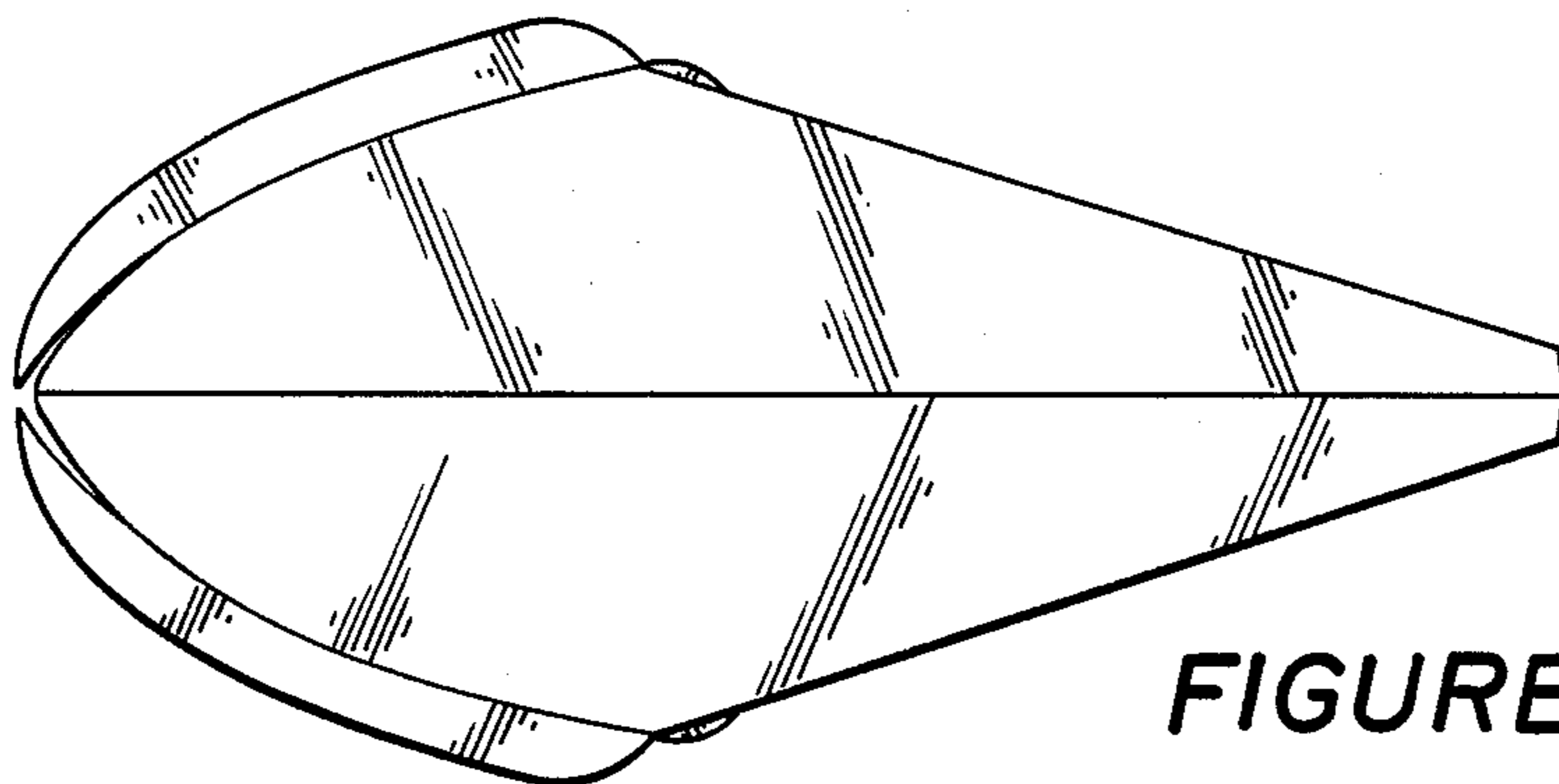
**FIGURE 2**



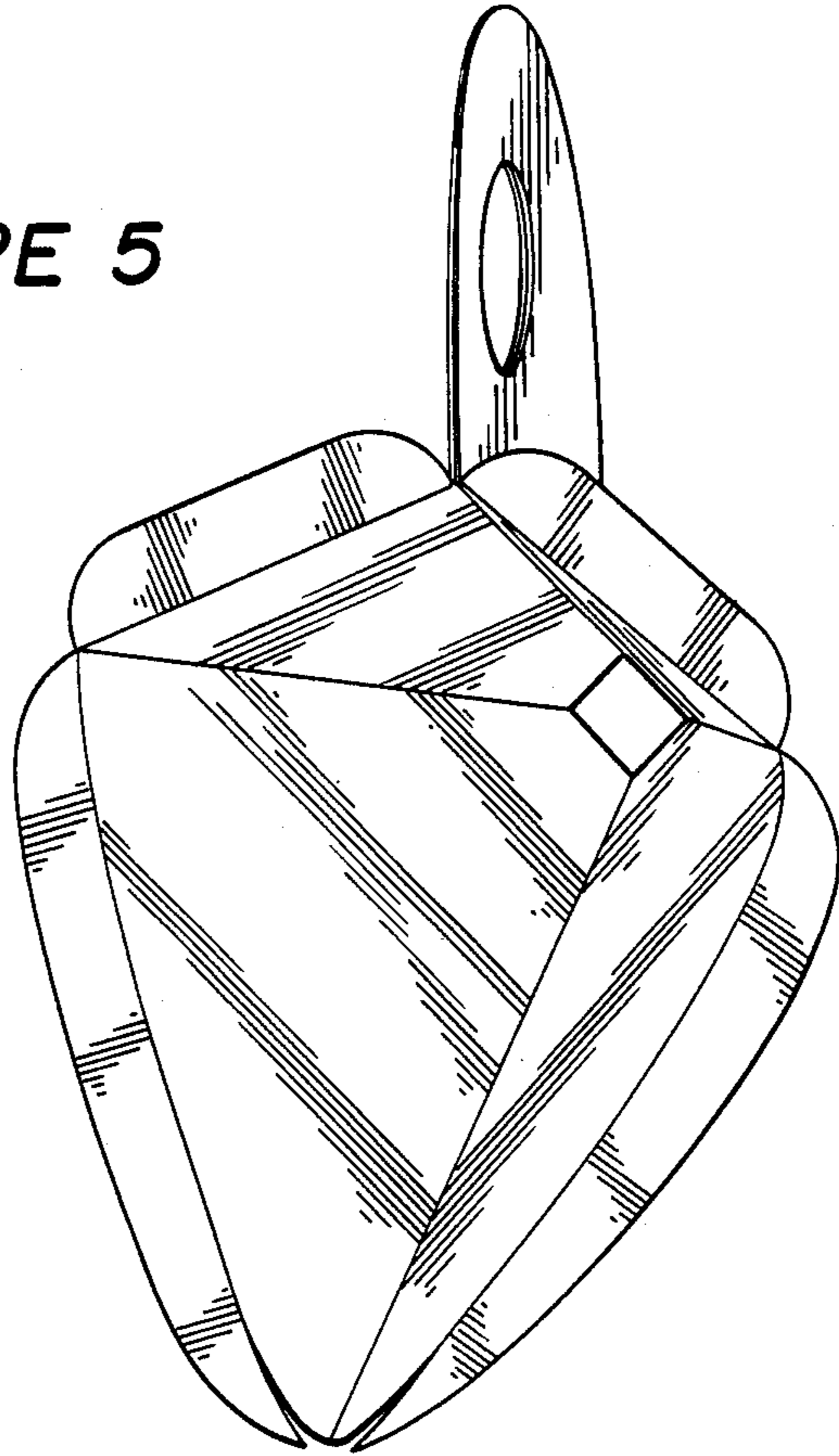
**FIGURE 3**



**FIGURE 4**



**FIGURE 5**



**FIGURE 6**

