

[54] MOISTURE/HEAT EXCHANGER FOR
RESPIRATORY APPARATUS OR SIMILAR
ARTICLE

[75] Inventor: Hans R. Lambert, Stockholm,
Sweden

[73] Assignee: Louis Gibeck AB, Sweden

[**] Term: 14 Years

[21] Appl. No.: 828,510

[22] Filed: Feb. 12, 1986

[30] Foreign Application Priority Data

Aug. 14, 1985 [SE] Sweden 1912/85
[52] U.S. Cl. D24/52; D23/314;
D24/21
[58] Field of Search D23/314, 323, 330, 386;
165/140, 160-168; D24/21, 52, 62; D29/7;
128/204.15, 204.16, 203.16, 203.17

[56] References Cited

U.S. PATENT DOCUMENTS

D. 192,718 5/1962 Madl D29/7 X
D. 253,721 12/1979 Gibeck D24/21 X
3,903,884 9/1975 Huston et al. D29/7 X
4,621,632 11/1986 Bartels et al. 128/203.17 X

FOREIGN PATENT DOCUMENTS

1111766 9/1984 United Kingdom 128/204.15

Primary Examiner—Susan J. Lucas
Attorney, Agent, or Firm—Hill, Van Santen, Steadman &
Simpson

[57] CLAIM

The ornamental design for a moisture/heat exchanger for respiratory apparatus or similar article, as shown and described.

DESCRIPTION

FIG. 1 is a side perspective view of a moisture/heat exchanger for respiratory apparatus or similar article showing my new design;
FIG. 2 is an opposite side perspective view thereof;
FIG. 3 is a side elevational view thereof;
FIG. 4 is a top plan view thereof;
FIG. 5 is a bottom plan view thereof.

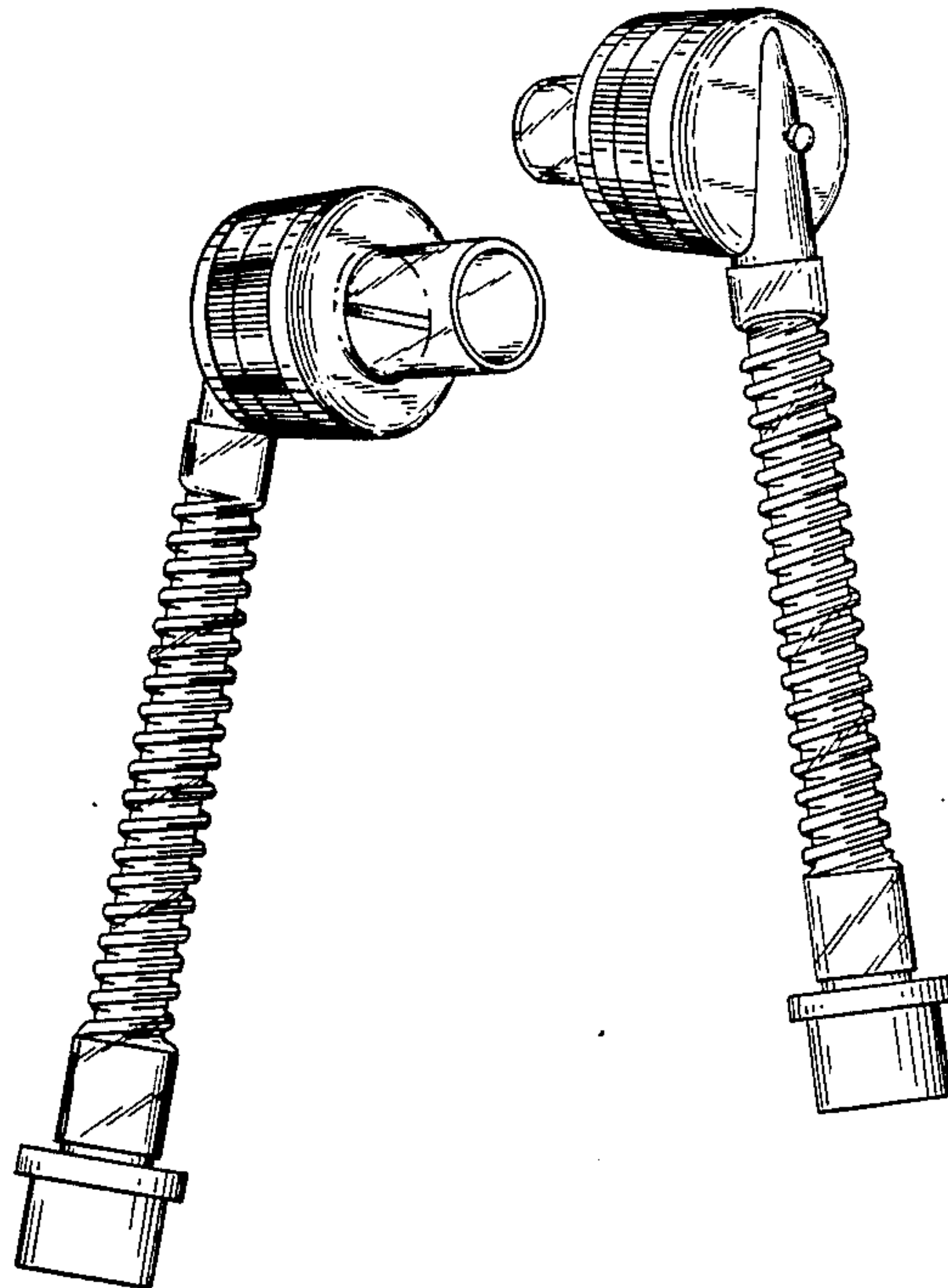


FIG. 1

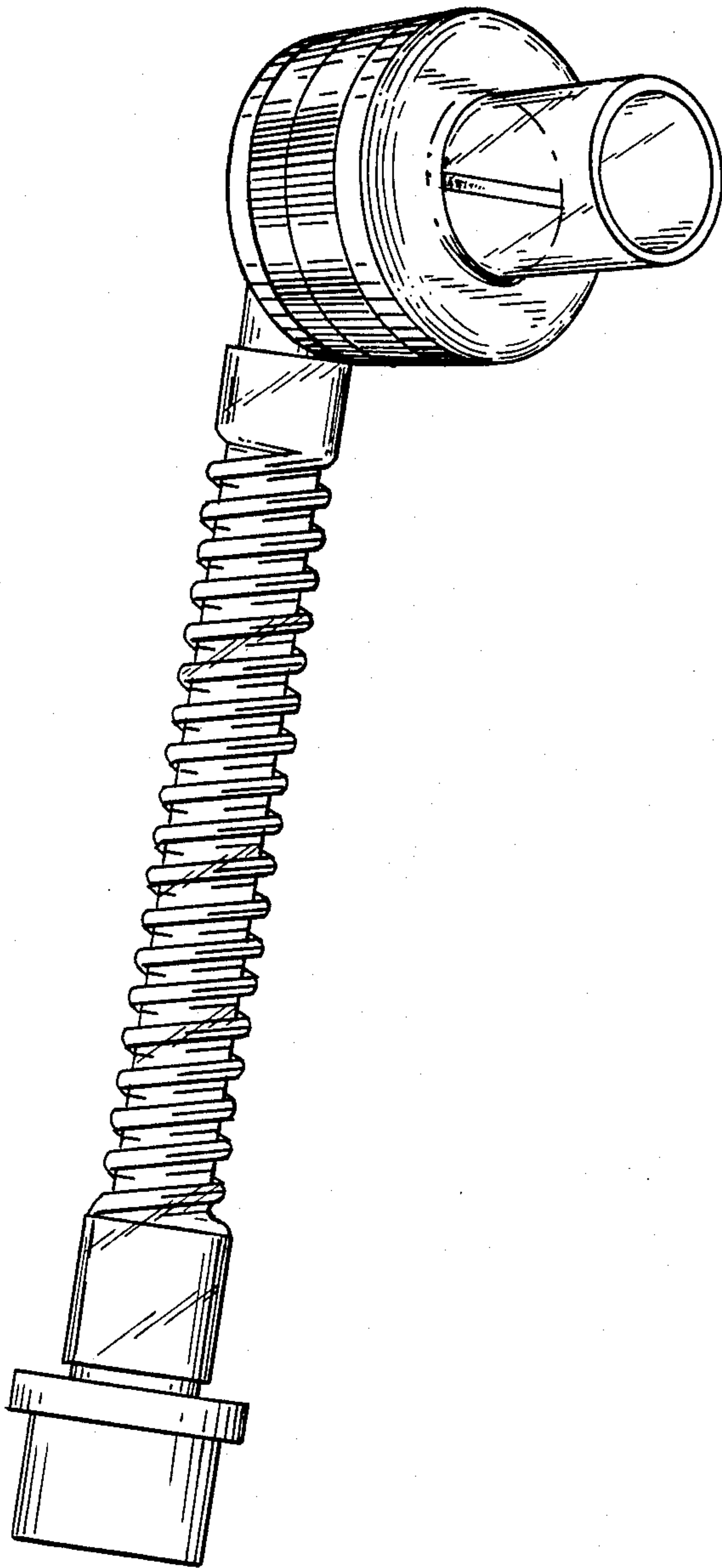
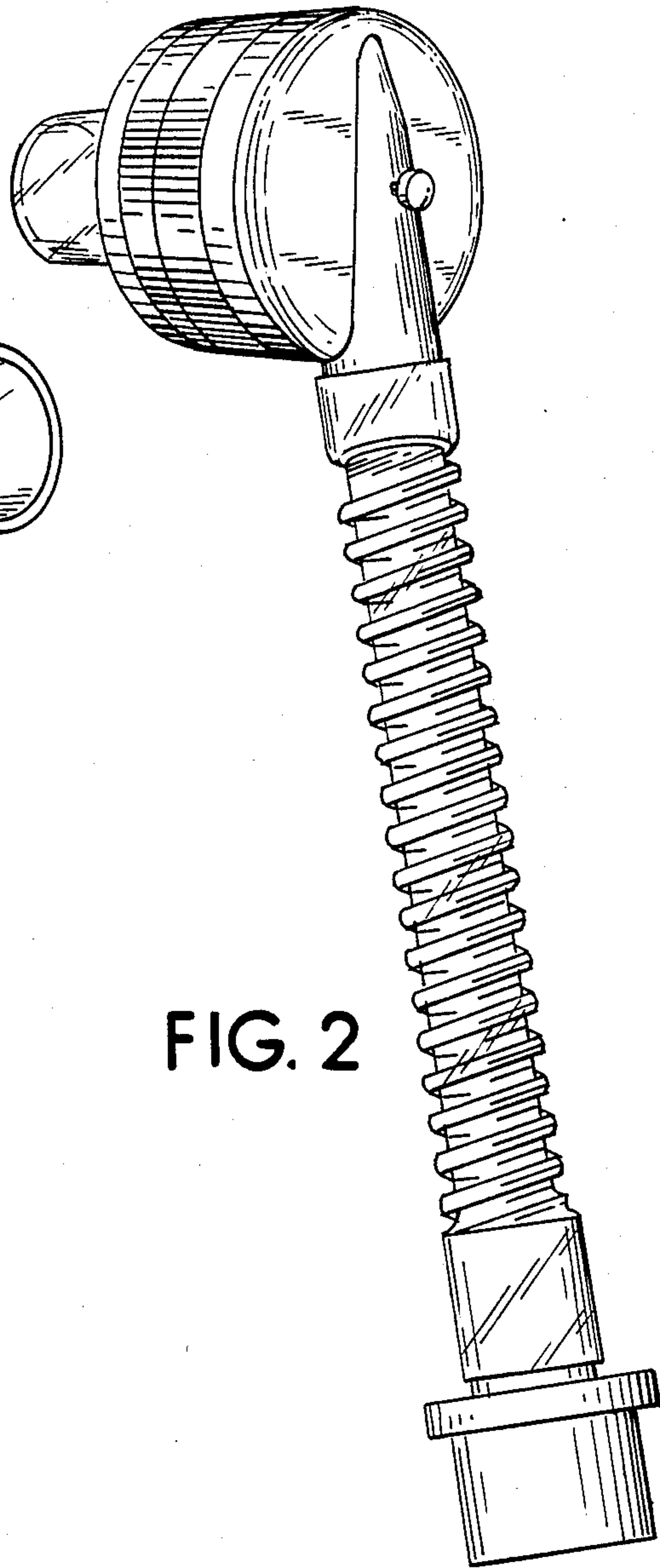


FIG. 2



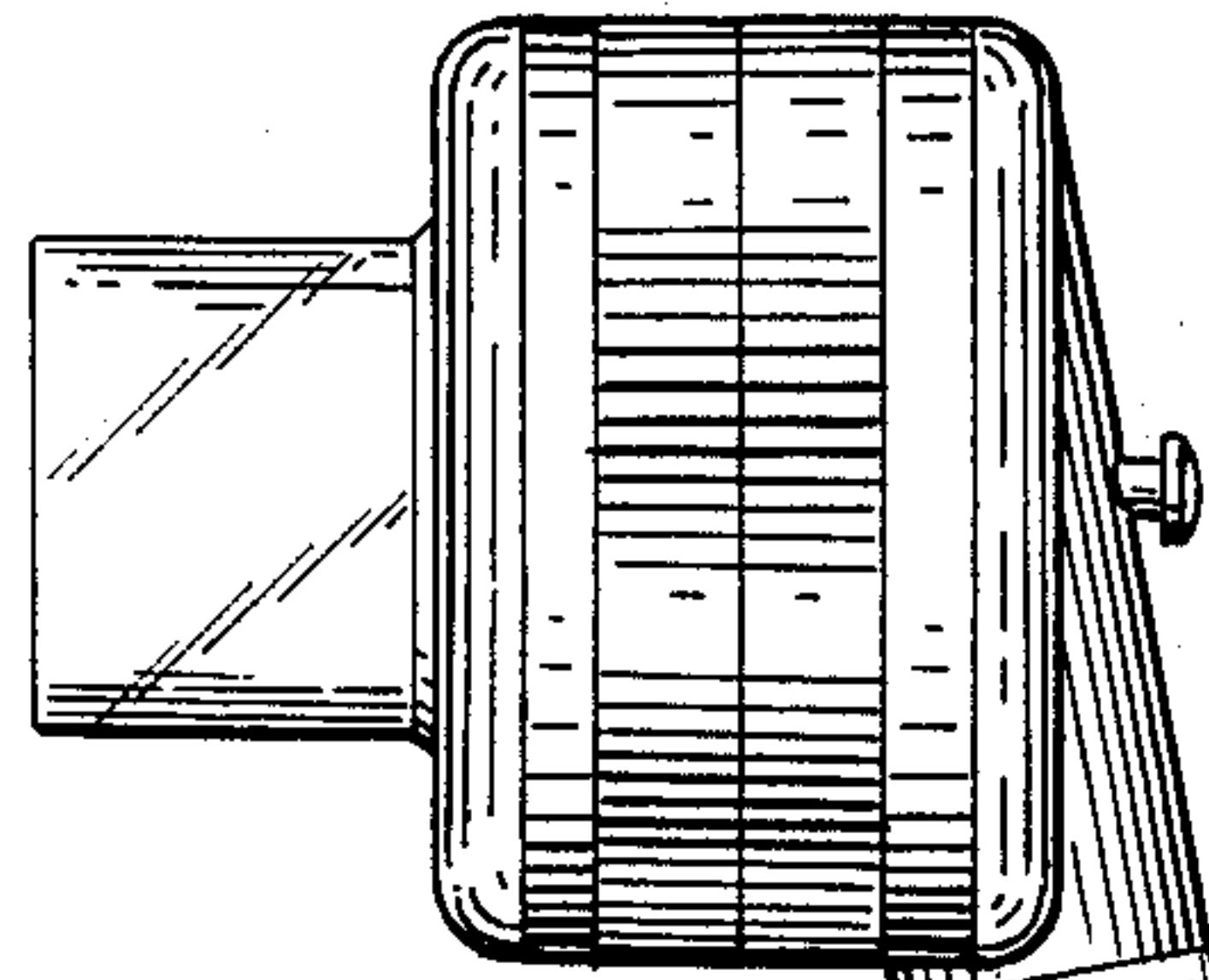


FIG. 3

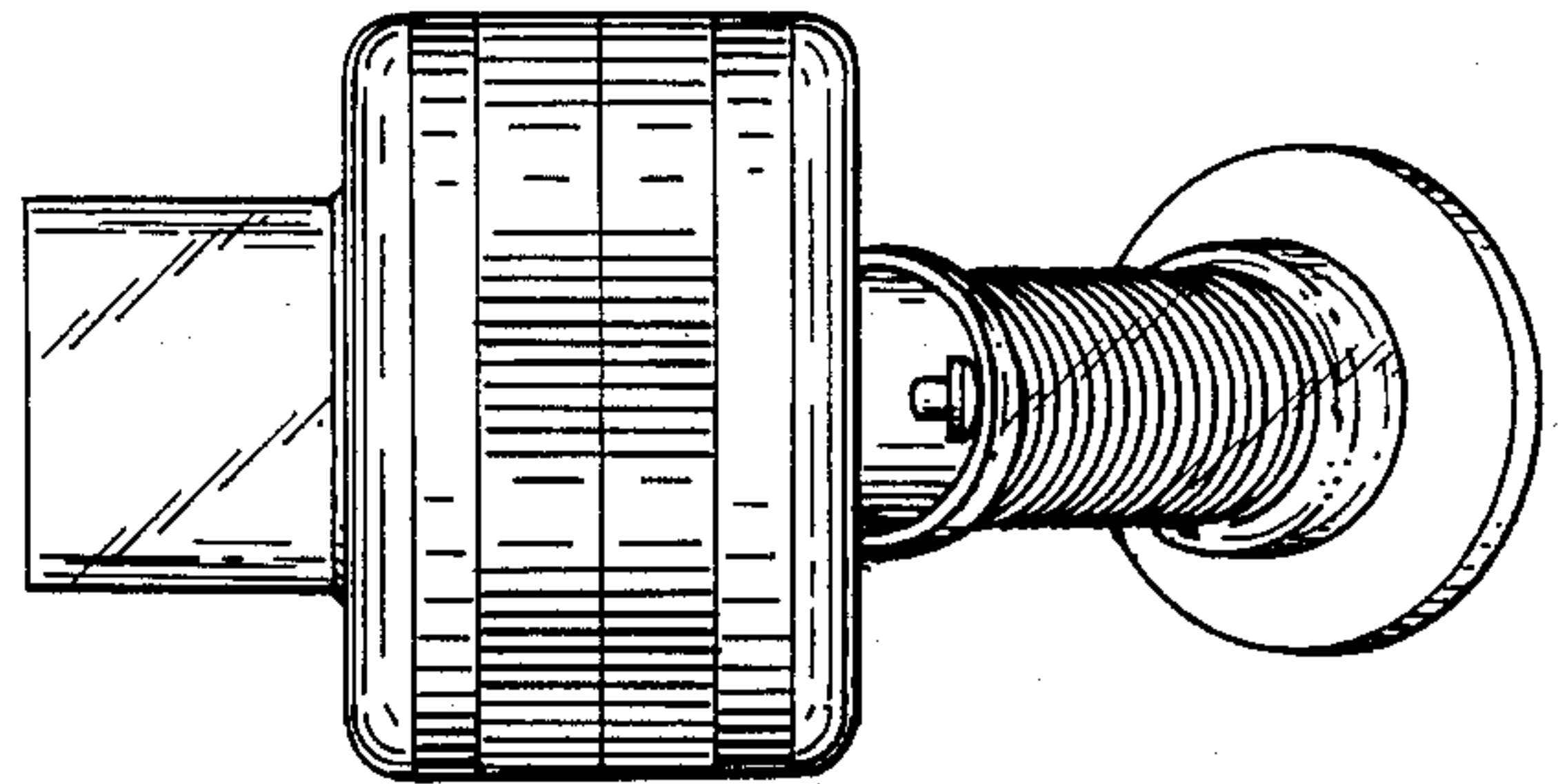


FIG. 4

FIG. 5

