

[54] ANIMAL TOY

[75] Inventors: Shinroku Nakao, Kanagawa;
Yoshiyasu Ishii; Hiroaki Matsuda,
both of Tokyo, all of Japan

[73] Assignee: Combi Co., Ltd., Tokyo, Japan

[**] Term: 14 Years

[21] Appl. No.: 921,078

[22] Filed: Oct. 21, 1986

[30] Foreign Application Priority Data

May 21, 1986 [JP] Japan 61-18896

[52] U.S. Cl. D21/63

[58] Field of Search D21/59, 62, 63, 64,
D21/150; 446/227, 146; 434/258, 259, 260

[56] References Cited

U.S. PATENT DOCUMENTS

D. 183,011	6/1958	Matthews	D21/62
D. 278,071	3/1985	Paczko	D21/65
D. 283,522	4/1986	Munson et al.	D21/59
D. 285,458	9/1986	Nakao et al.	D21/59
D. 286,796	11/1986	Simmons	D21/64

Primary Examiner—Charles A. Rademaker
Attorney, Agent, or Firm—Sughrue, Mion, Zinn,
Macpeak & Seas

[57] CLAIM

The ornamental design for an animal toy, as shown.

DESCRIPTION

FIG. 1 is a front elevational view of an animal toy showing our new design;

FIG. 2 is a right side elevational view thereof;

FIG. 3 is a top plan view thereof;

FIG. 4 is a left side elevational view thereof;

FIG. 5 is a rear elevational view thereof; and

FIG. 6 is a bottom plan view thereof.

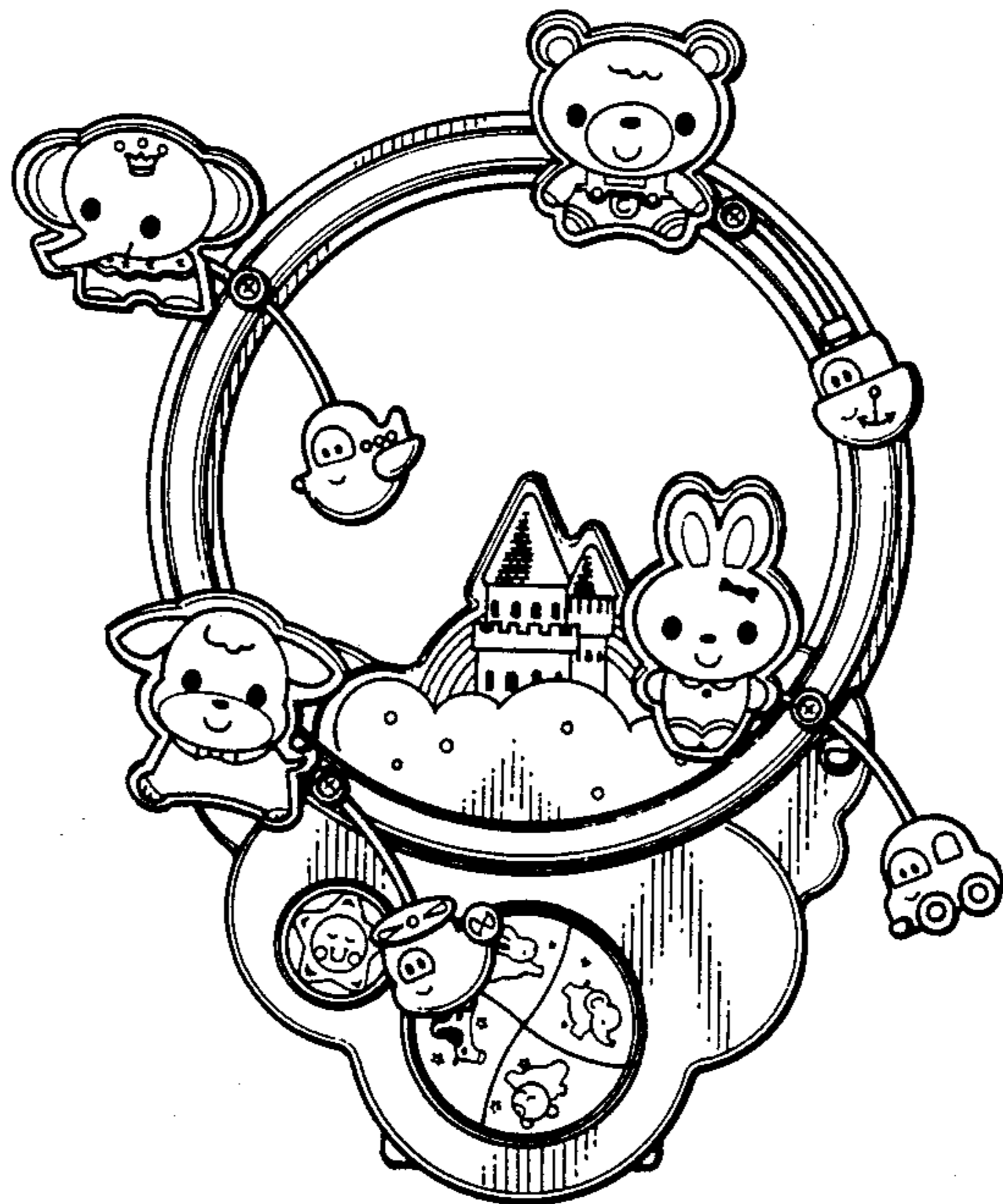


Fig. 1

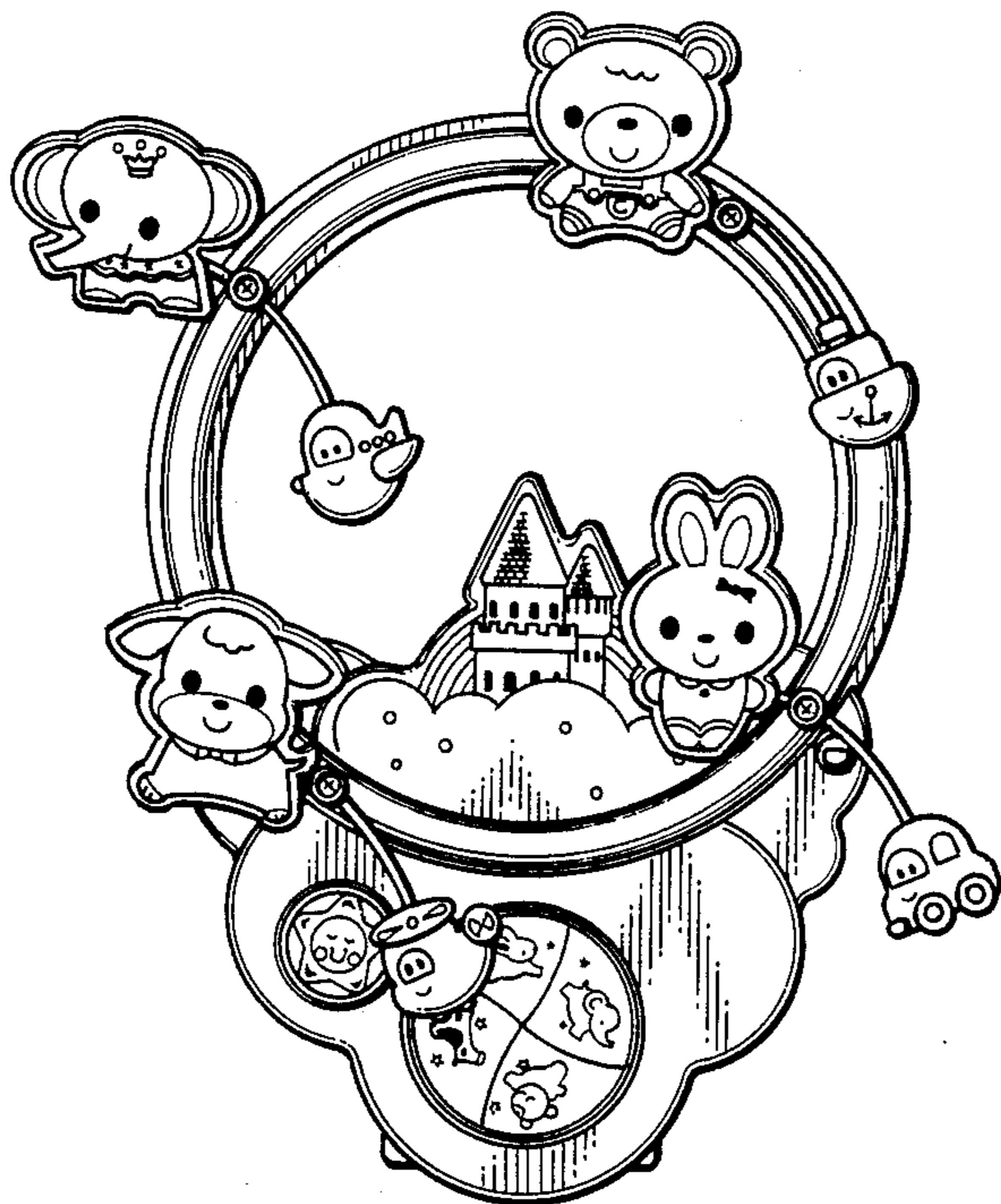


Fig. 2

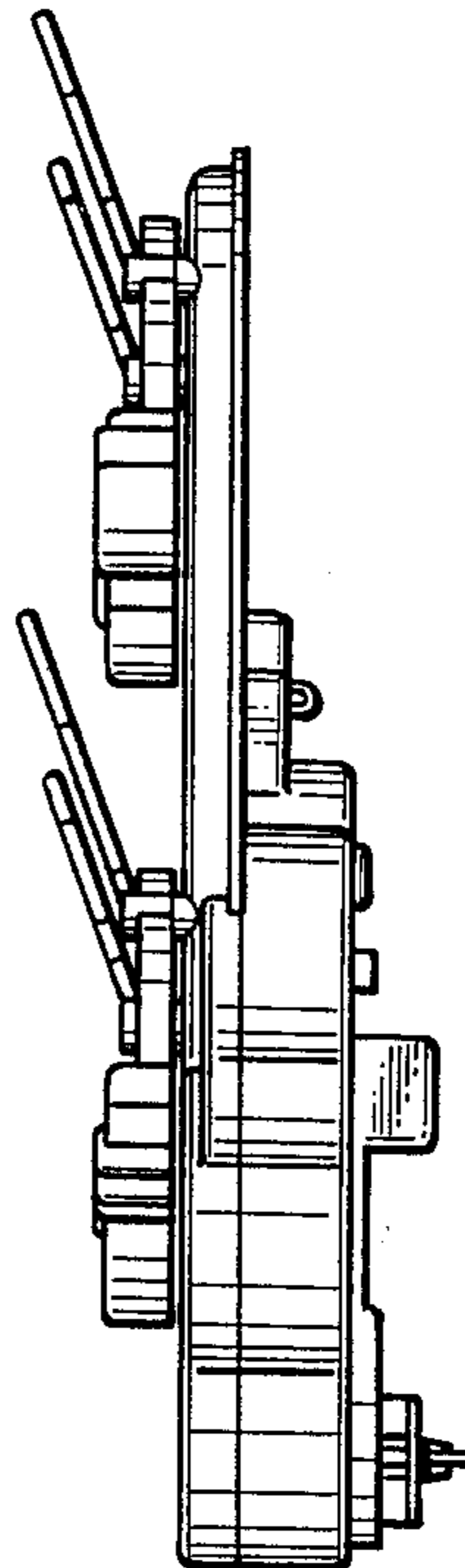


Fig. 3

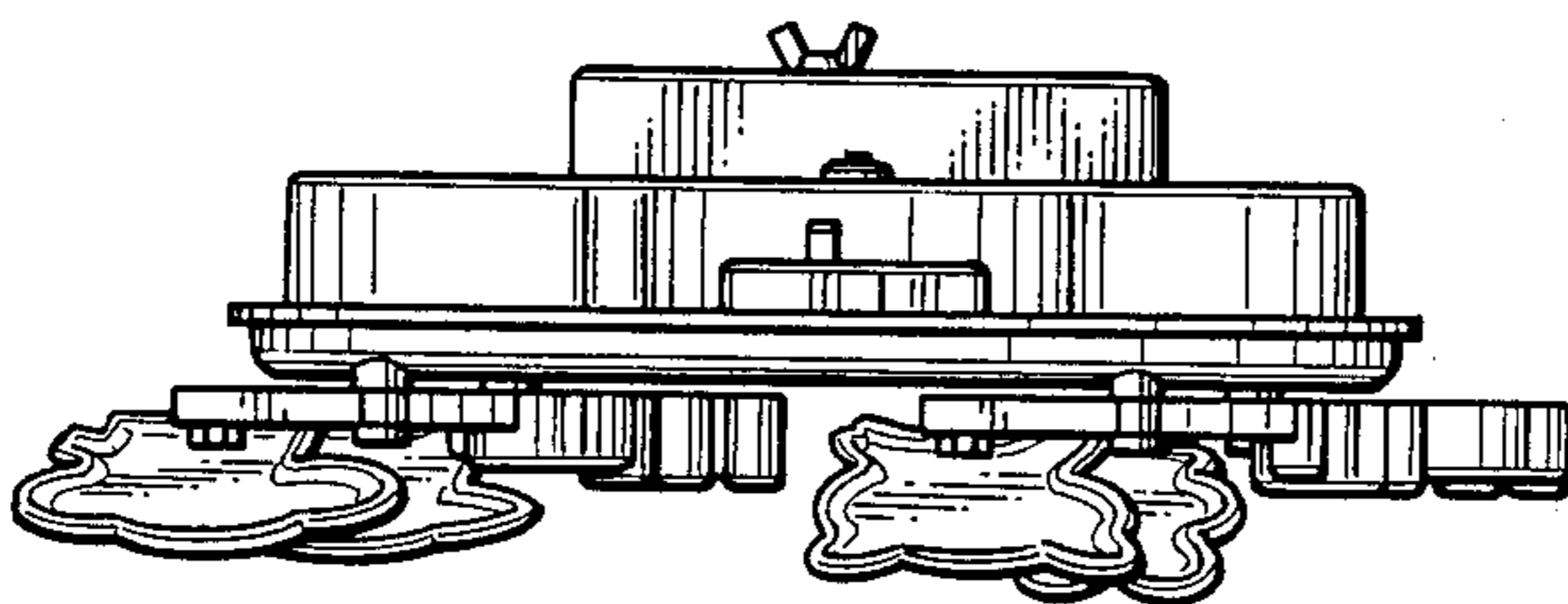


Fig. 4

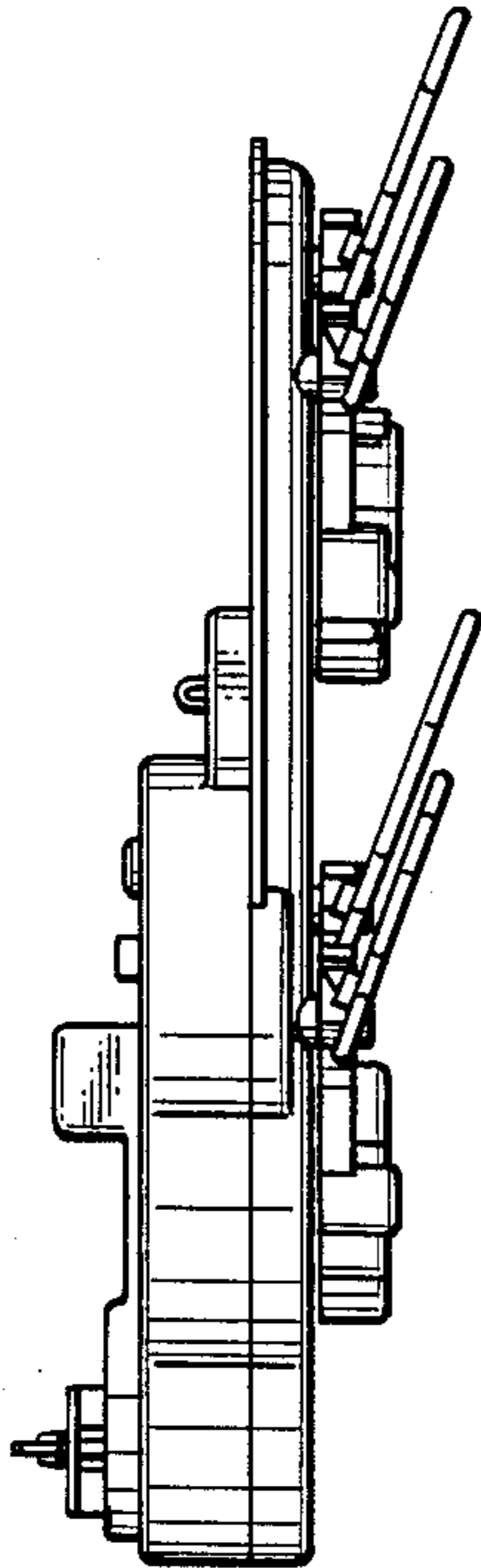


Fig. 5

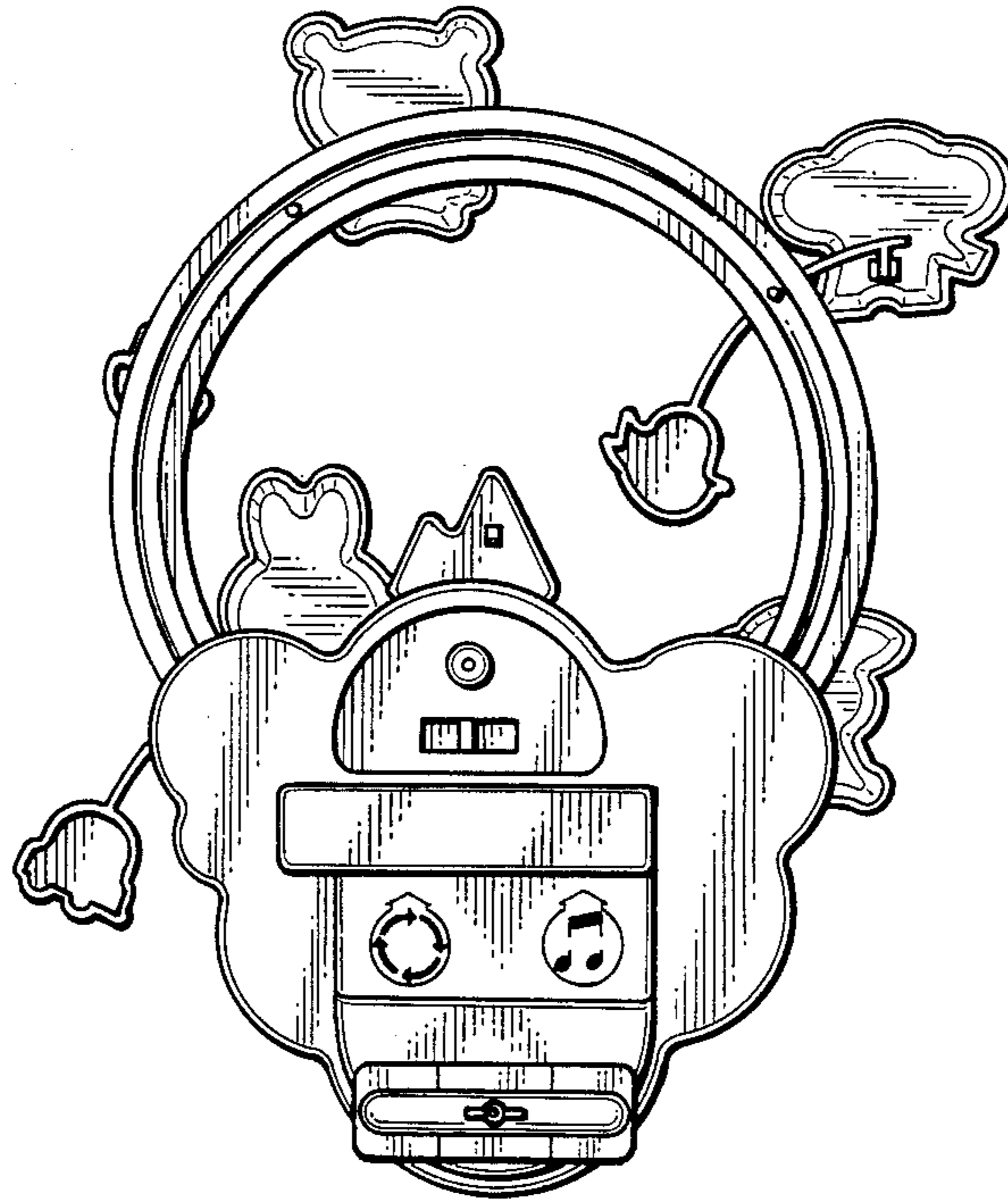


Fig. 6

