

[54] STATIONERY CASE

[76] Inventor: Tung-Che Tu, 20th Fl., No. 159, Hsin Hai Rd., Sec. 2, Taipei, Taiwan

[\*\*] Term: 14 Years

[21] Appl. No.: 817,590

[22] Filed: Jan. 10, 1986

[52] U.S. Cl. .... D19/75; D3/30.1; D3/74

[58] Field of Search ..... D19/75, 77, 78, 79, D19/81, 83, 84, 85, 86, 91, 92, 93; D9/341, 345, 424, 425, 436, 455; D3/74, 30.1, 39, 74, 75, 78, 38; 206/1.7, 1.8, 557, 564, 214

[56] References Cited

U.S. PATENT DOCUMENTS

D. 205,580	8/1966	Schurman	.....	D3/74
D. 250,973	1/1979	Ramsey	.....	D3/74
D. 280,741	9/1985	Chatham	.....	D19/77

D. 283,561	4/1986	Geist	.....	D3/30.1
D. 289,856	5/1987	Easterling	.....	D9/345
4,595,102	6/1986	Cianci et al.	.....	220/23

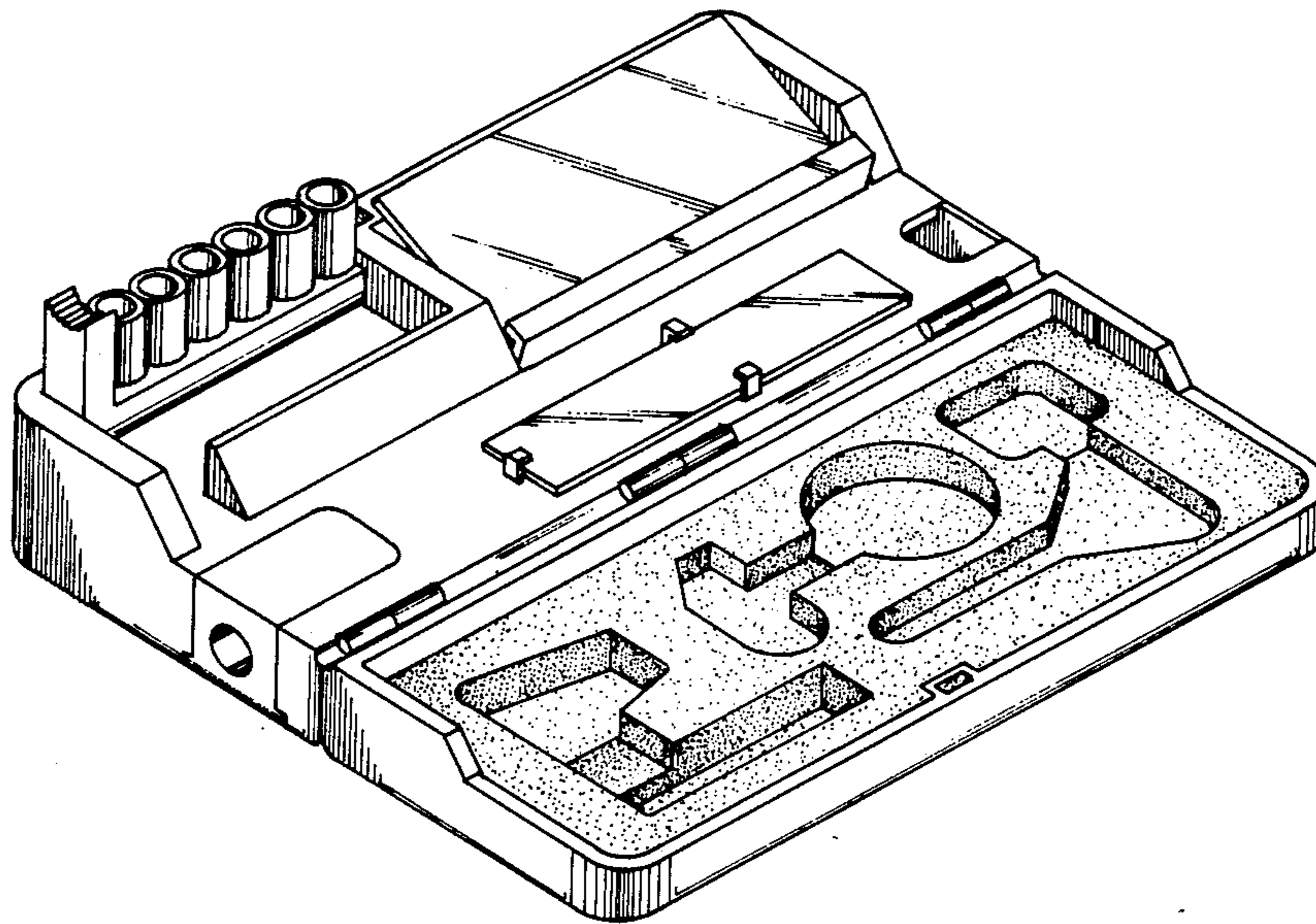
Primary Examiner—Melvin B. Feifer  
Assistant Examiner—Lucy Lieberman  
Attorney, Agent, or Firm—Lowe, Price, LeBlanc, Becker & Shur

[57] CLAIM

The ornamental design for a stationery case, as shown and described.

DESCRIPTION

FIG. 1 is a top perspective view of the stationery case showing my new design;  
FIG. 2 is a front elevation thereof;  
FIG. 3 is a rear elevation thereof;  
FIG. 4 is left side elevation thereof;  
FIG. 5 is a right side elevation thereof;  
FIG. 6 is a top plan view thereof; and  
FIG. 7 is a bottom plan view thereof.



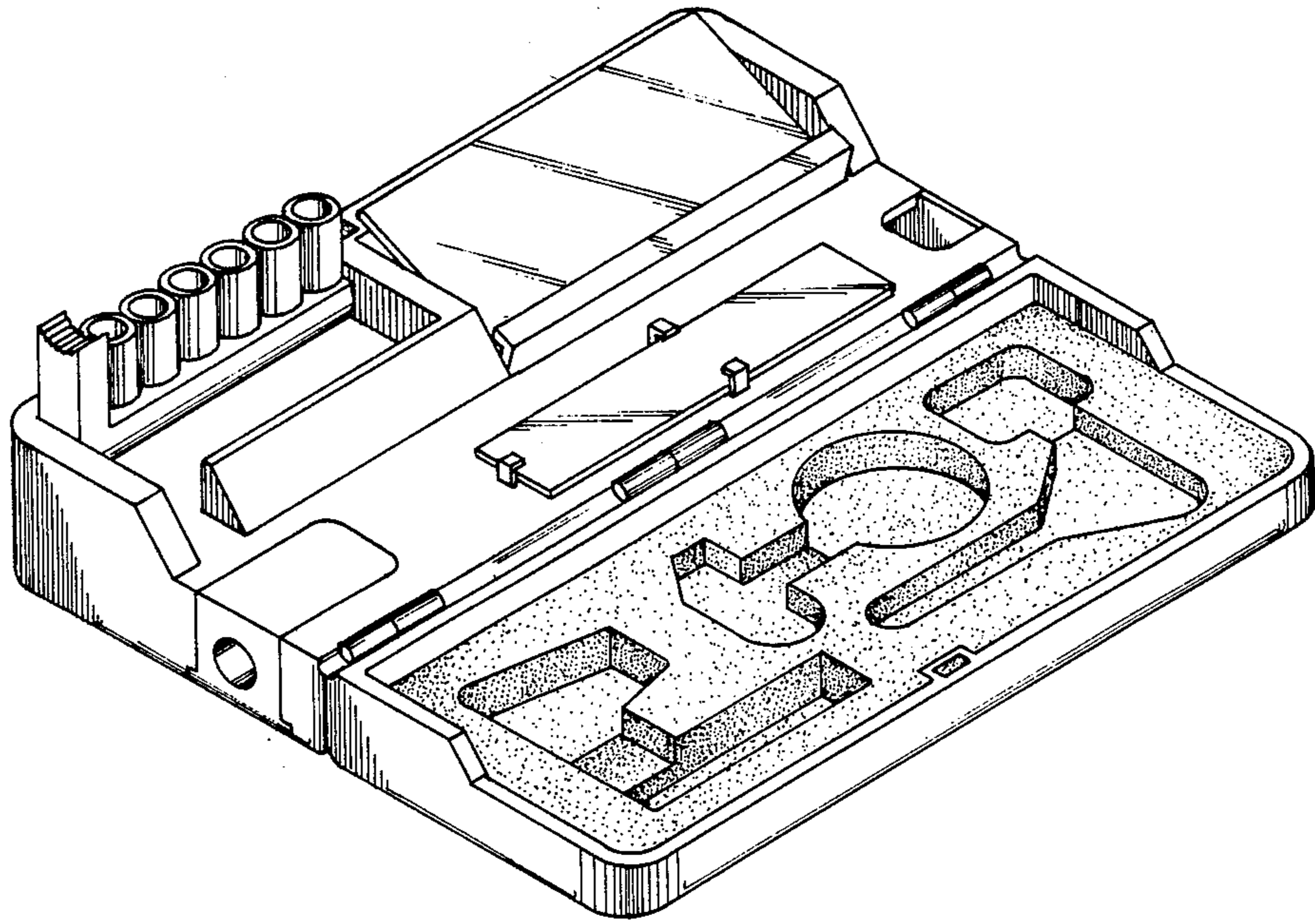


FIG. 1

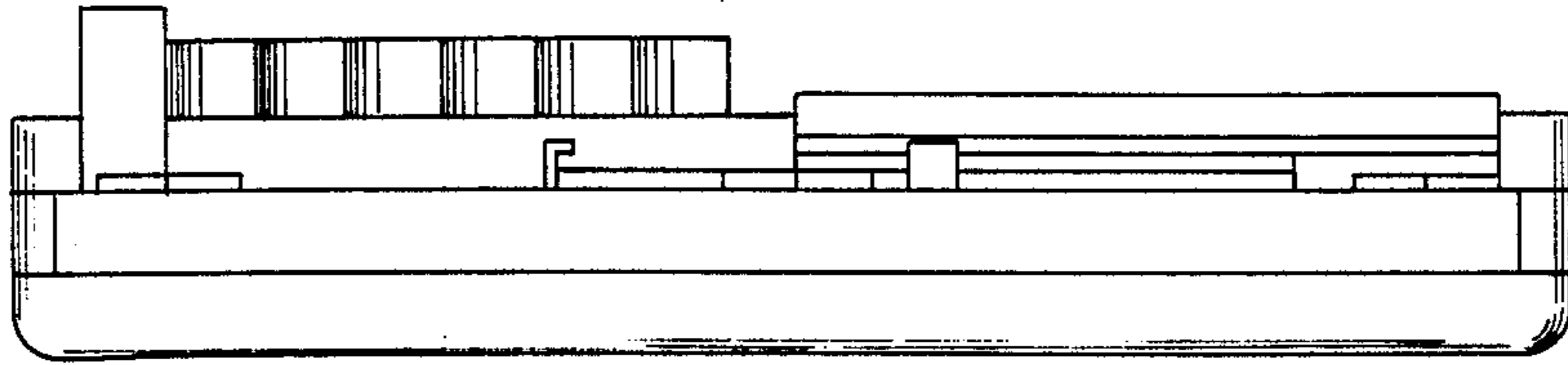


FIG. 2

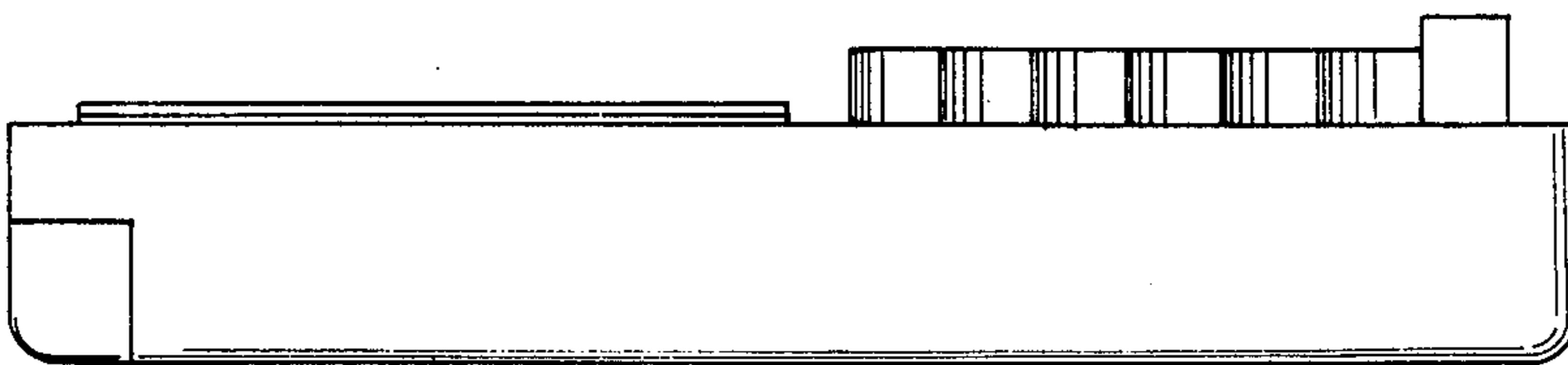


FIG. 3

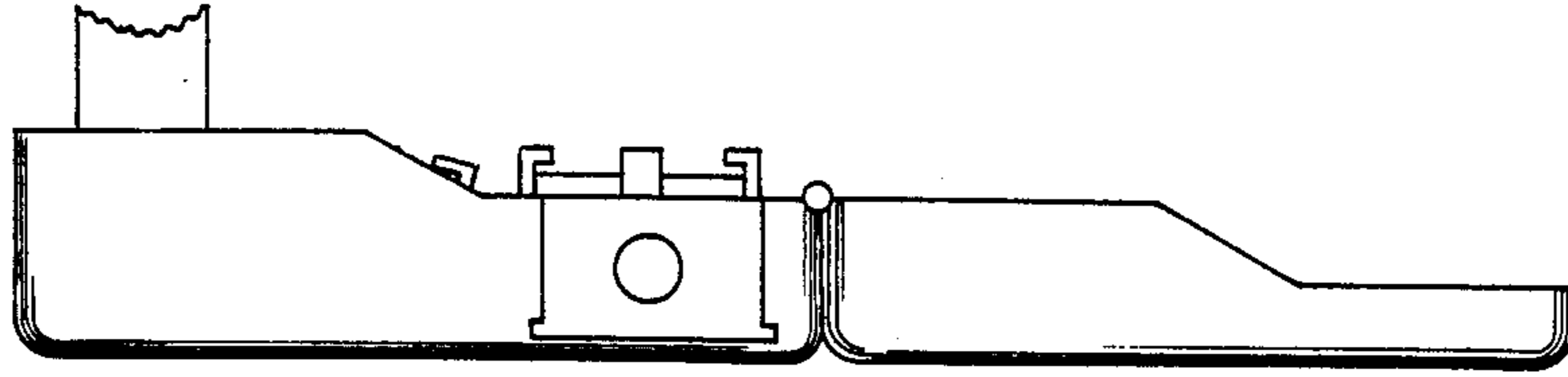


FIG. 4

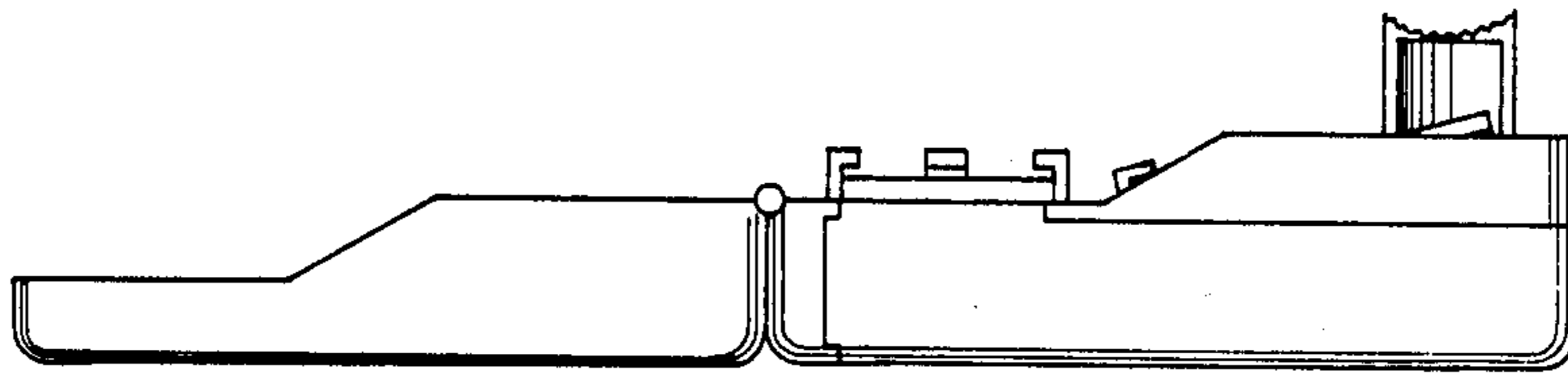


FIG. 5

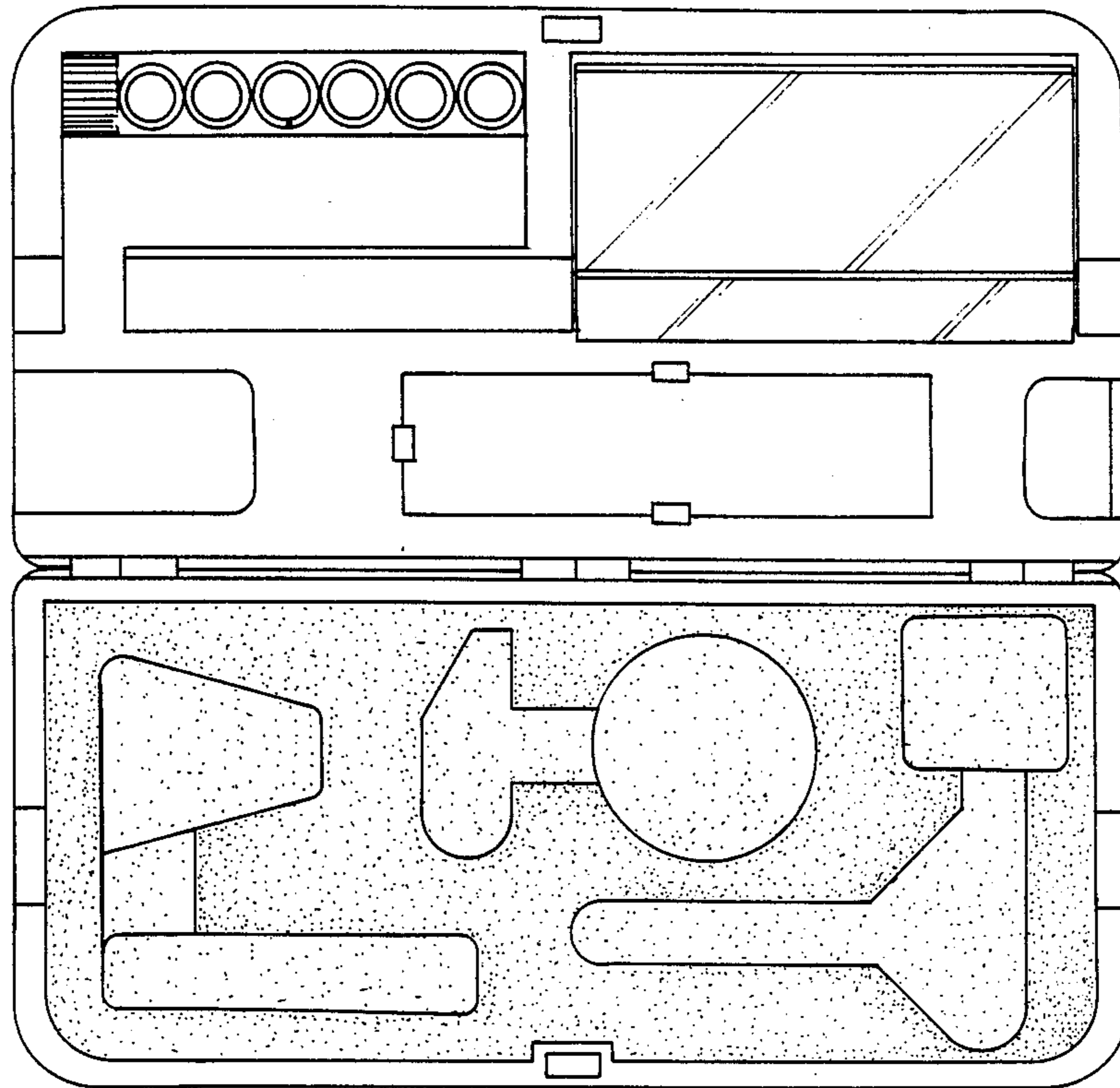


FIG. 6



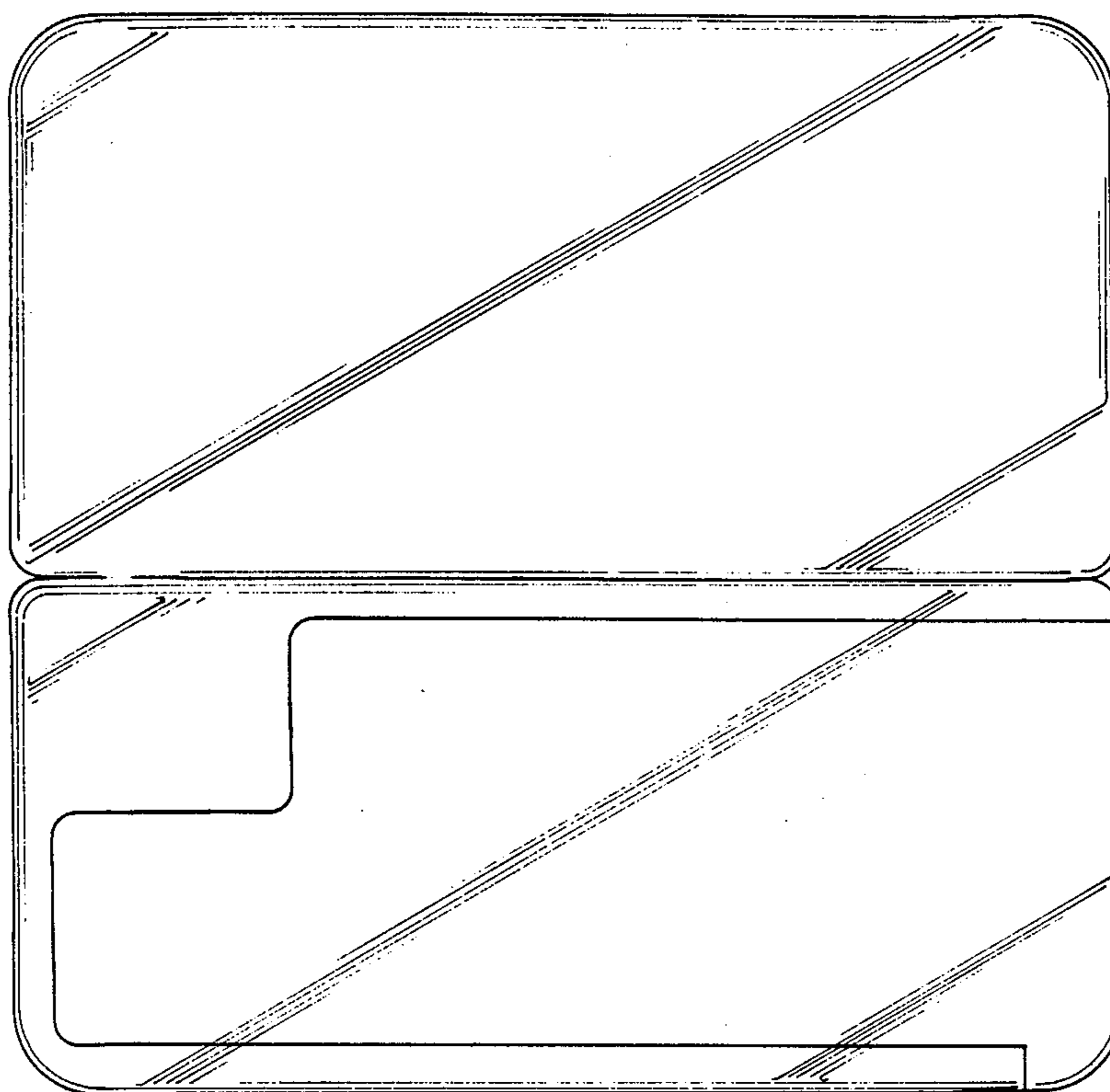


FIG. 7