

[54] **ADJUSTABLE RECORD HOLDER**

[76] **Inventor: Jenneye L. Shugar, 8818 Croes Dr., Houston, Tex. 77055**

[*] **Notice: The portion of the term of this patent subsequent to Oct. 21, 2000 has been disclaimed.**

[**] **Term: 14 Years**

[21] **Appl. No.: 901,156**

[22] **Filed: Aug. 26, 1986**

[52] **U.S. Cl. D19/34.1; D6/407**

[58] **Field of Search D6/407; D3/35; 211/40, 211/41, 42, 43; 312/9, 10, 12, 13; 206/387; D19/34.1**

[56] **References Cited**

U.S. PATENT DOCUMENTS

D. 228,109	8/1973	Woods	D6/407
D. 286,302	10/1986	Shugar	D6/512 X
945,877	1/1910	Updegraff	211/40 X
1,682,060	8/1928	Banks	211/43
2,545,844	3/1951	Cougias	211/43
2,726,318	12/1955	Marschke	211/43 X
2,908,394	10/1959	Thoweman	211/40

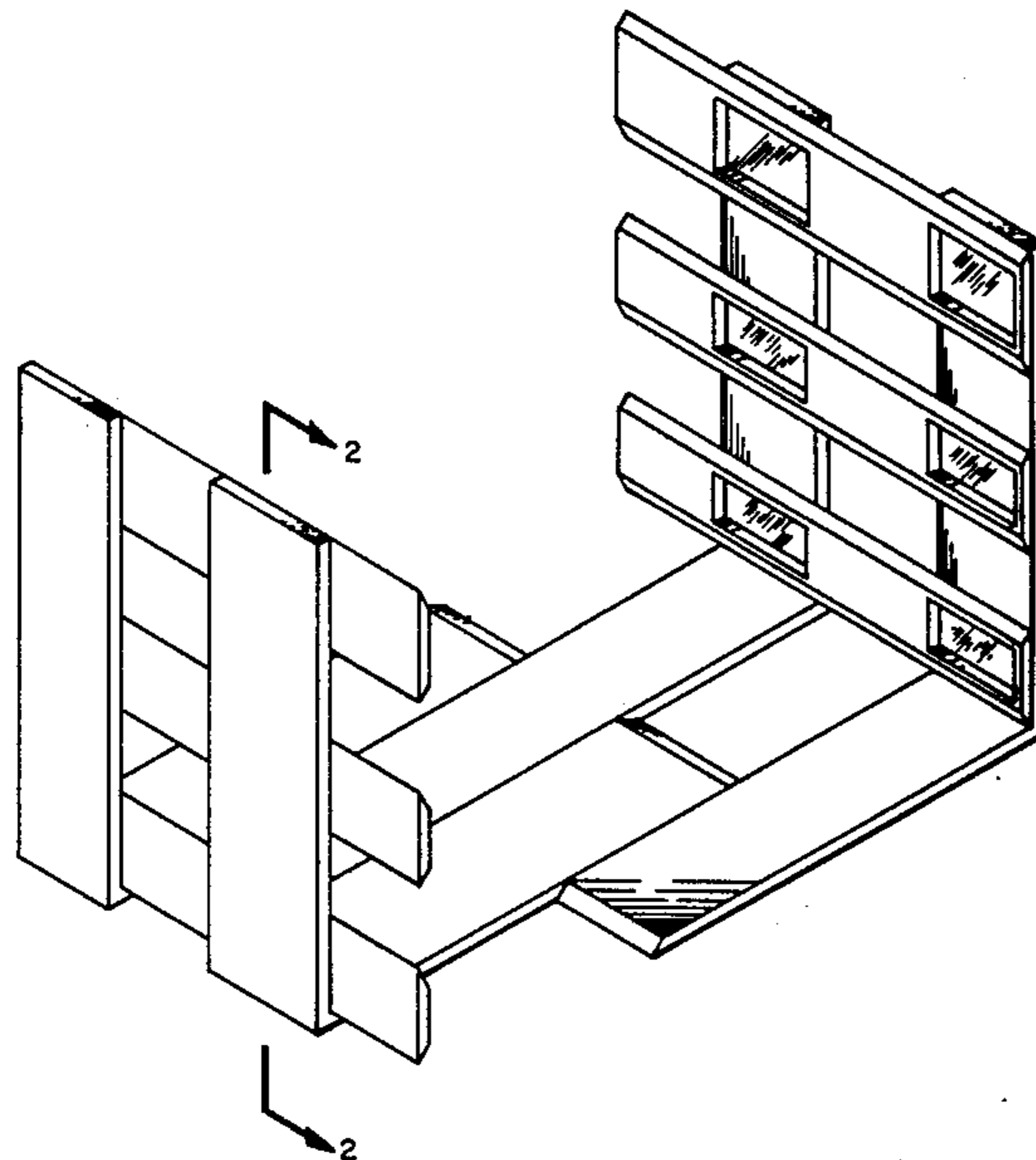
Primary Examiner—Carmen H. Vales

[57] **CLAIM**

The ornamental design for an adjustable record holder, as shown and described.

DESCRIPTION

FIG. 1 is a perspective view of an adjustable record holder showing my new design, the opposite side being a mirror image thereof; and FIG. 2 is a cross sectional view taken along line 2—2 of FIG. 1.



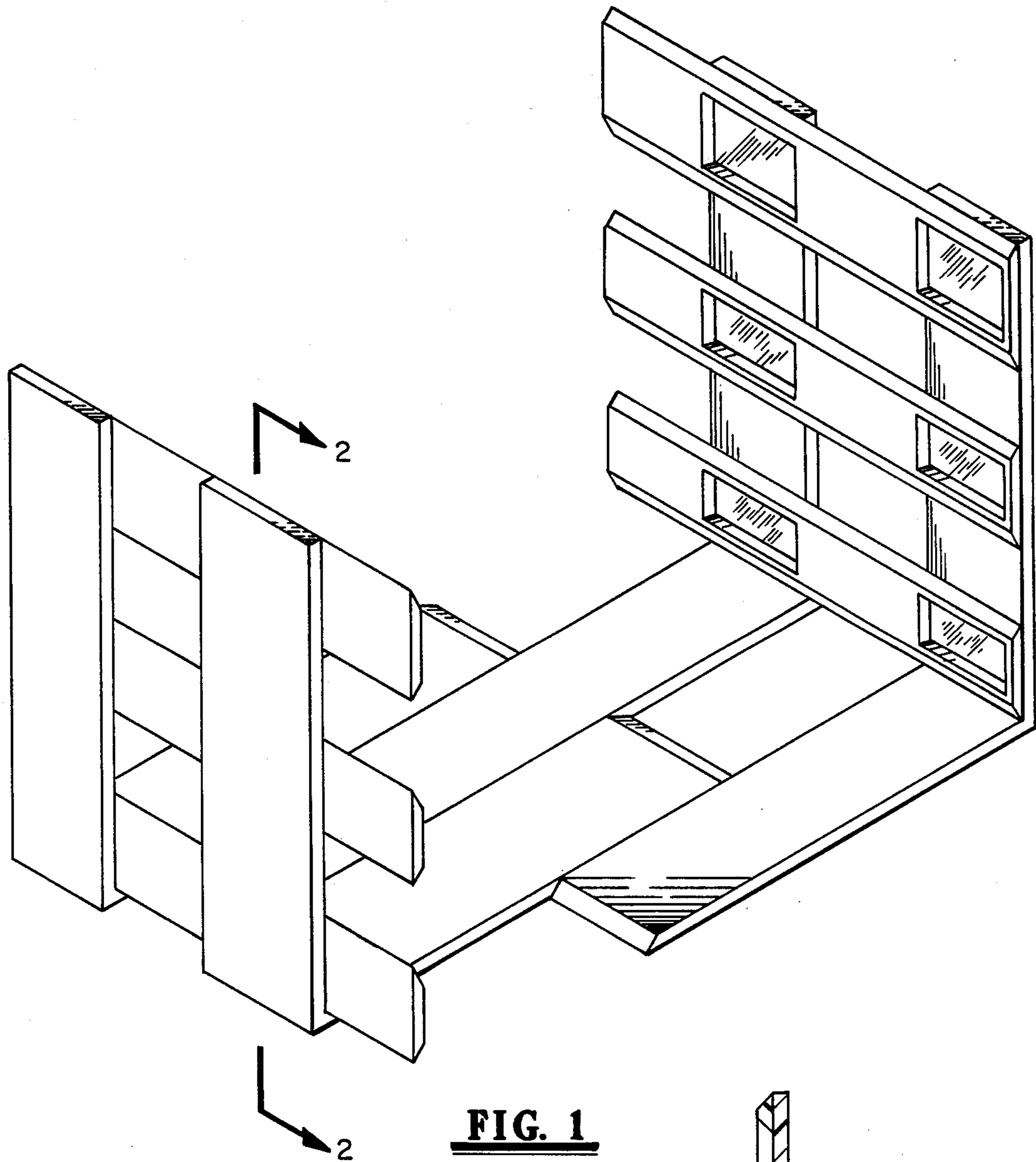


FIG. 1

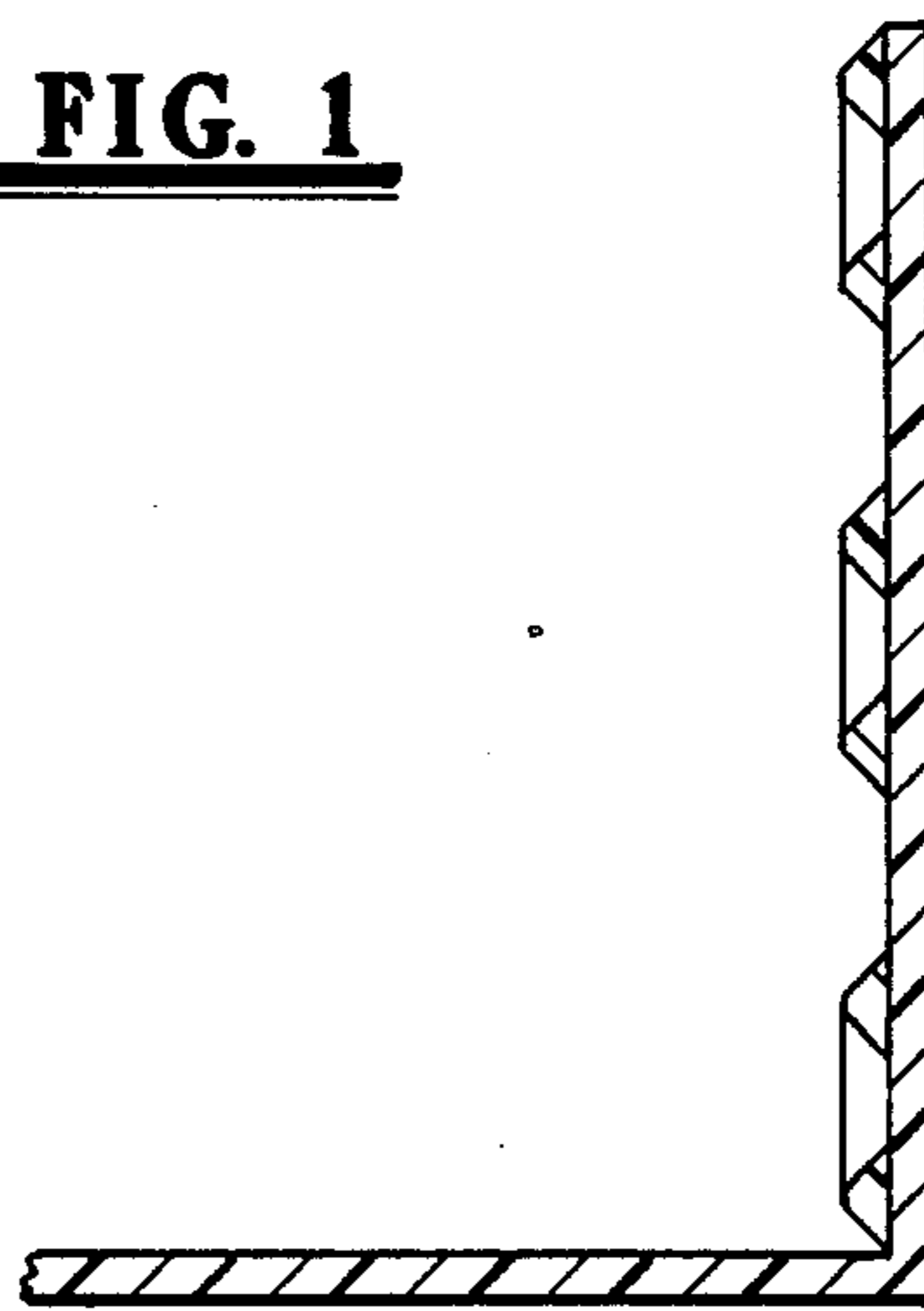


FIG. 2