

[54] **PLUNGER TIP FOR CHARACTER PRINTER HAMMER-UNIT**

[75] Inventors: **Notsu Risei, Yamato; Ooike Hideki, Kawasaki; Kaneko Mitsushiro, Yokohama, all of Japan**

[73] Assignee: **Fuji System Machines Co., Ltd., Zama, Japan**

[\*\*] Term: **14 Years**

[21] Appl. No.: **819,915**

[22] Filed: **Jan. 16, 1986**

[52] U.S. Cl. .... **D18/22**

[58] Field of Search ..... **D18/1, 2, 11, 12, 22; 400/689-694; 101/93.09, 93.15, 93.16, 93.28, 93.48**

[56] **References Cited**

**U.S. PATENT DOCUMENTS**

D. 245,286	8/1977	Osterlund et al. ....	D18/22
4,037,532	7/1977	Plaza et al. ....	101/93.48
4,062,285	12/1977	Deetz et al. ....	101/93.48
4,401,026	8/1983	Brown ....	101/93.48 X

**FOREIGN PATENT DOCUMENTS**

18280	1/1982	Japan .....	101/93.48
163681	9/1983	Japan .....	101/93.48
1281	1/1984	Japan .....	101/93.48

**OTHER PUBLICATIONS**

IBM Technical Disclosure Bulletin, vol. 18, No. 12, 5/1976, p. 4072—print hammer position sensor.  
IBM Technical Disclosure Bulletin, vol. 19, No. 6, 11/1976, p. 2036—print hammer.

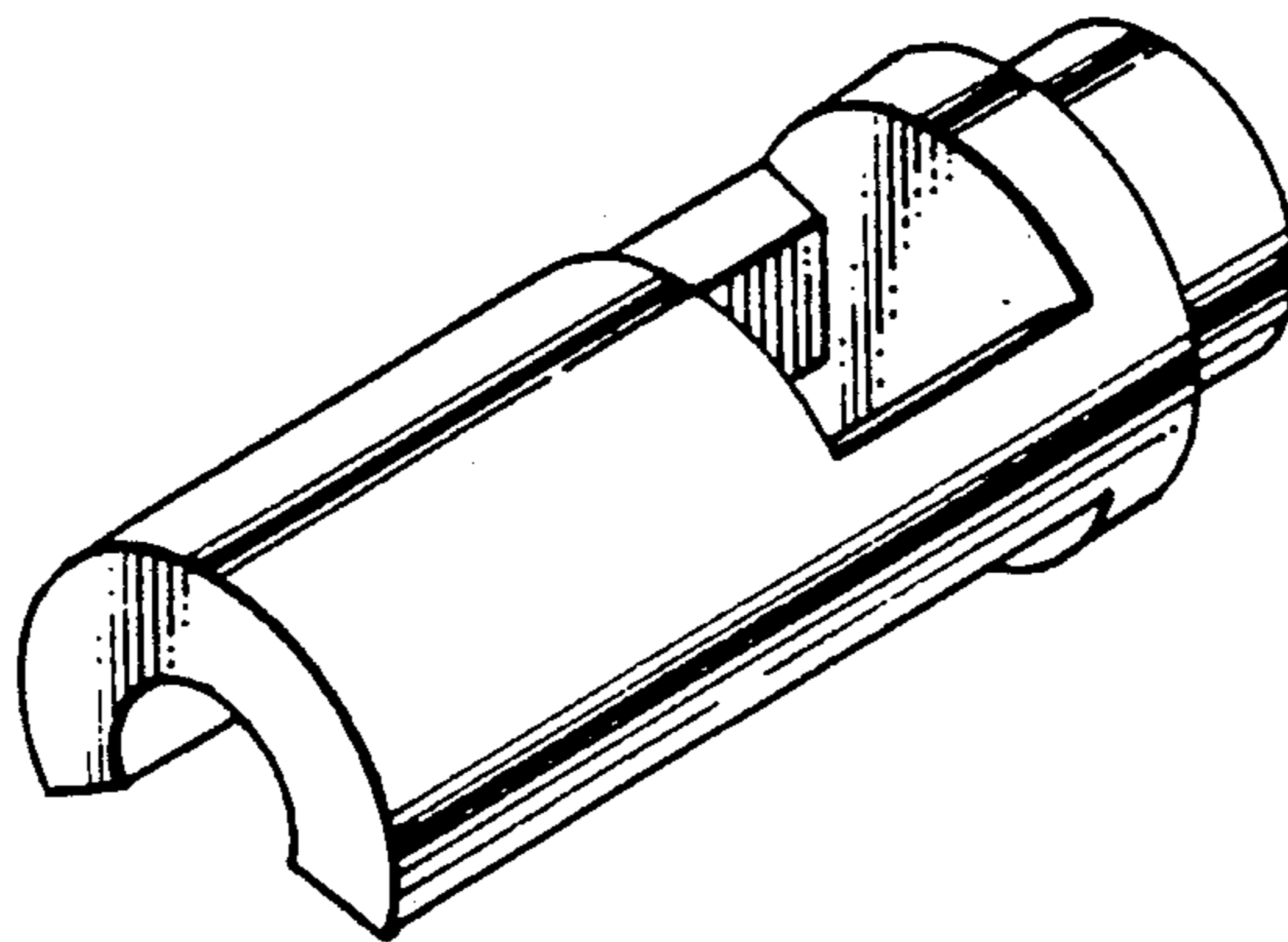
*Primary Examiner*—Louis S. Zarfes  
*Attorney, Agent, or Firm*—Bucknam and Archer

[57] **CLAIM**

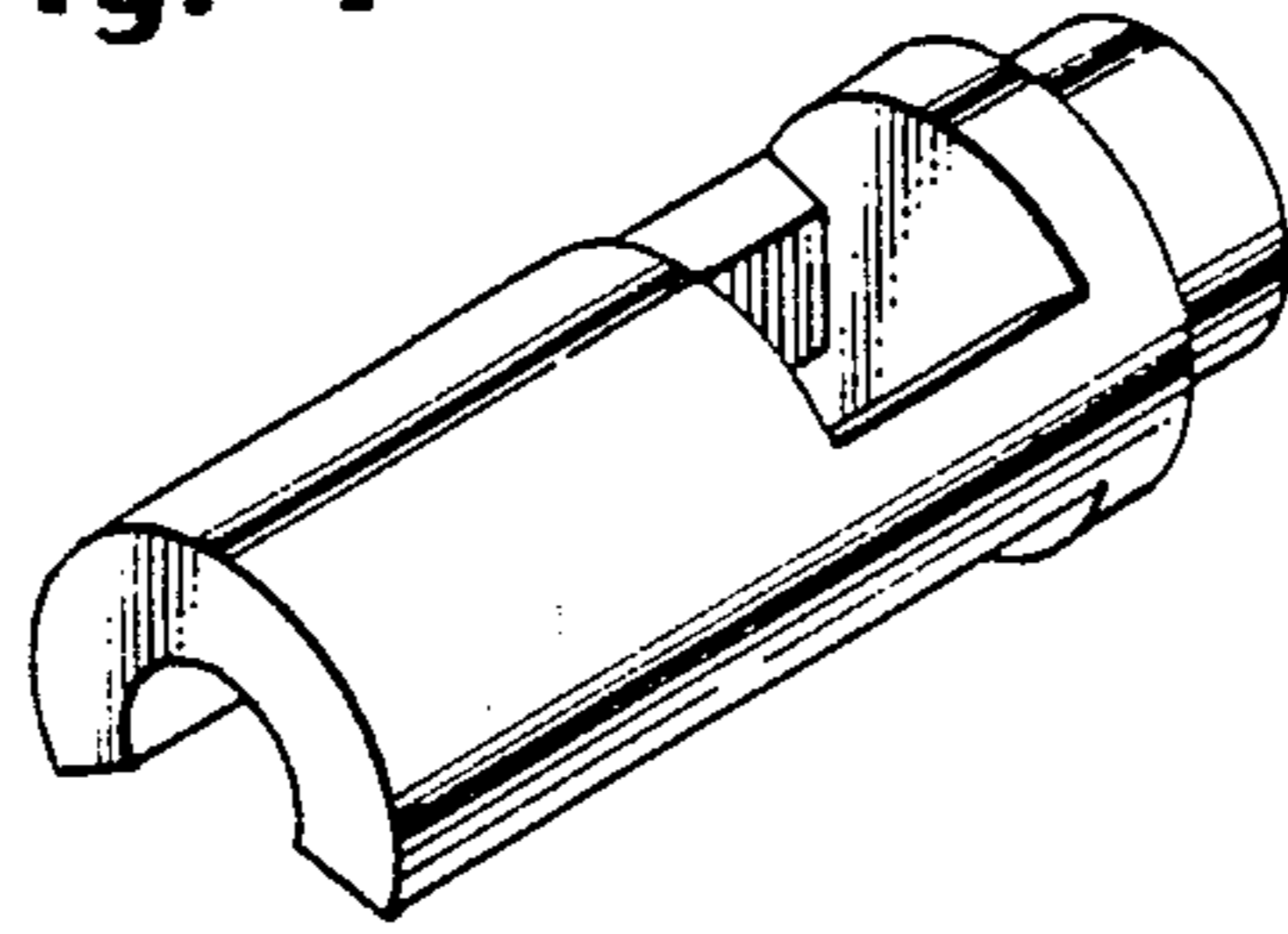
The ornamental design of a plunger tip for character printer hammer unit, as shown and described.

**DESCRIPTION**

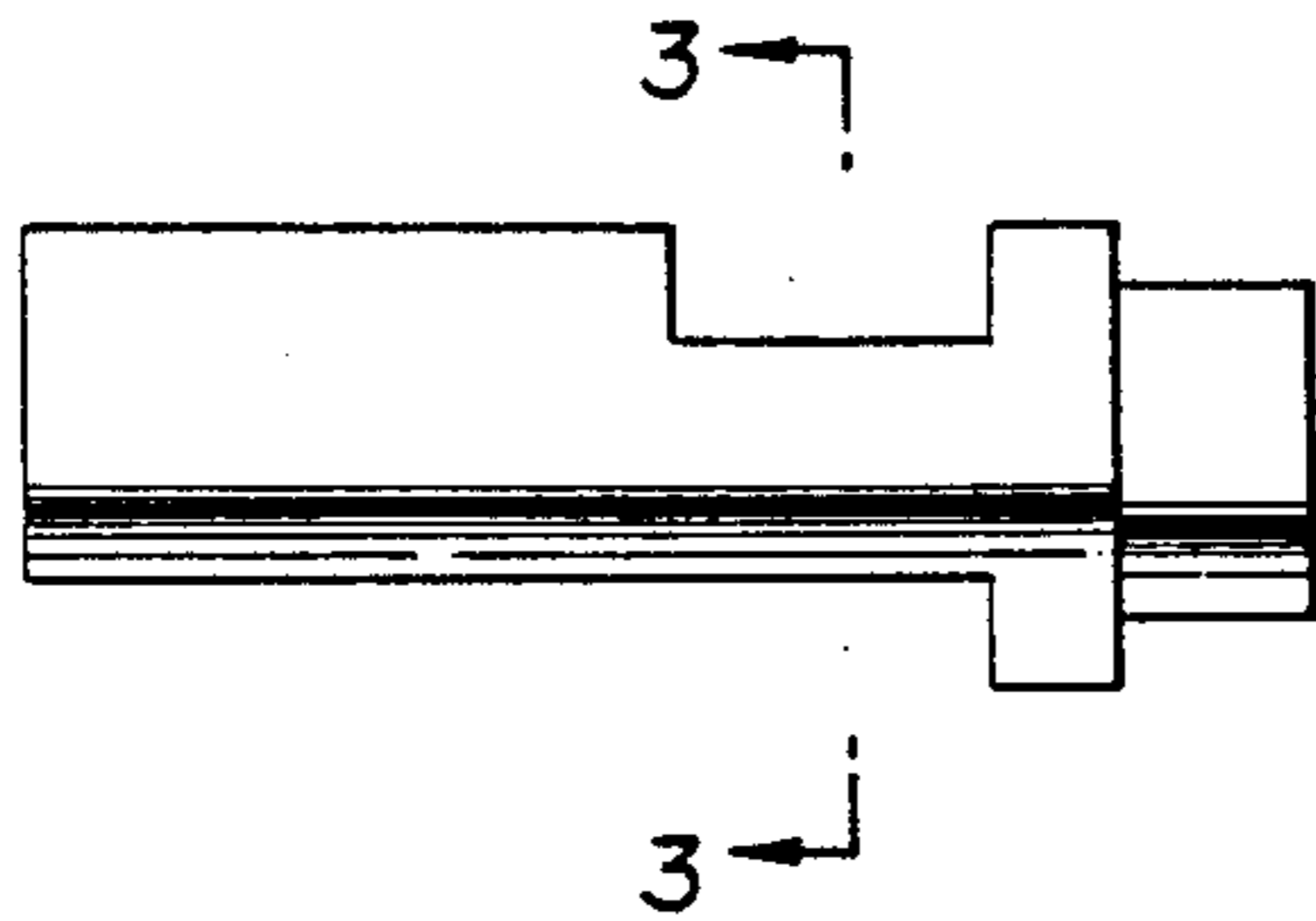
FIG. 1 is a perspective view of a plunger-tip for character printer hammer unit showing our new design;  
FIG. 2 is a side elevational view;  
FIG. 3 is a cross-sectional view taken on line III—III of FIG. 2; and  
FIG. 4 is a side elevational view on a reduced scale. The broken line showing of other portions of the hammer assembly and printer in FIG. 4 is for illustrative purposes only and forms no part of the claimed design.



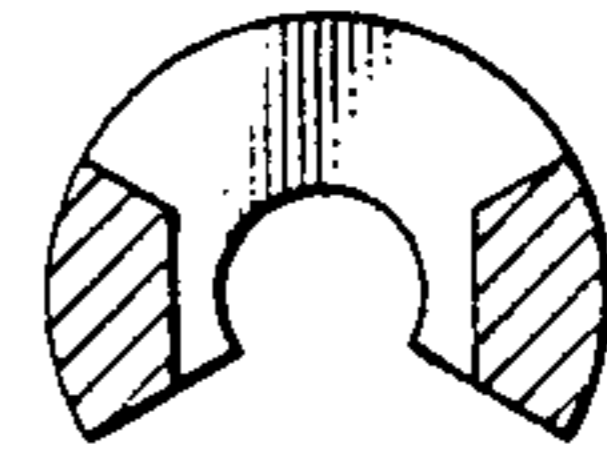
**F** **ig. 1**



**F** **ig. 2**



**F** **ig. 3**



**F** **ig. 4**

