

United States Patent [19]

Kato et al.

[11] Patent Number: **Des. 302,021**

[45] Date of Patent: **** Jul. 4, 1989**

[54] **CASH REGISTER OR SIMILAR ARTICLE**
[75] Inventors: **Shuzo Kato, Hiratsuka; Masao Ishikawa, Ninomiya, both of Japan**

4,084,238 4/1978 Masuo 364/405
4,213,179 7/1980 Hamano et al. 364/405
4,276,598 6/1981 Inoue et al. 364/405
4,312,037 1/1982 Yamakita 364/405

[73] Assignee: **NCR Corporation, Dayton, Ohio**
[**] Term: **14 Years**
[21] Appl. No.: **16,691**
[22] Filed: **Feb. 19, 1987**

OTHER PUBLICATIONS

Office Products, Jan. 1979, p. 5.
Office Products Dealer, Jul. 1981, p. 4.
Office Products Dealer, Feb. 1982, p. 5.
Design, 440, Aug. 1985, p. 46.

[30] **Foreign Application Priority Data**
Aug. 29, 1986 [JP] Japan 61-33622
[52] **U.S. Cl.** **D18/4**
[58] **Field of Search** **D18/2-5;**
D14/100, 105, 106; D99/28; 235/1 D, 7 R,
379-383; 364/404-405

Primary Examiner—James R. Largen
Attorney, Agent, or Firm—Wilbert Hawk, Jr.; Albert L. Sessler, Jr.; George J. Muckenthaler

[56] **References Cited** **U.S. PATENT DOCUMENTS**

D. 234,266 2/1975 Merino et al. D18/4
D. 259,264 5/1981 Schuldt D18/4
D. 261,003 9/1981 Jinbo et al. D18/4
D. 269,441 6/1983 Matsuda et al. D18/4
D. 276,919 12/1984 Sakamoto et al. D18/4
D. 277,107 1/1985 Sakamoto D18/4
D. 279,382 6/1985 Hori et al. D18/4

[57] **CLAIM**
The ornamental design for a cash register or similar article, as shown and described.

DESCRIPTION

FIG. 1 is a front elevational view of a cash register or similar article showing our new design;
FIG. 2 is a rear elevational view thereof;
FIG. 3 is a left side elevational view thereof;
FIG. 4 is a right side elevational view thereof;
FIG. 5 is a top plan view thereof; and
FIG. 6 is a perspective view taken from the top, front and left side thereof.

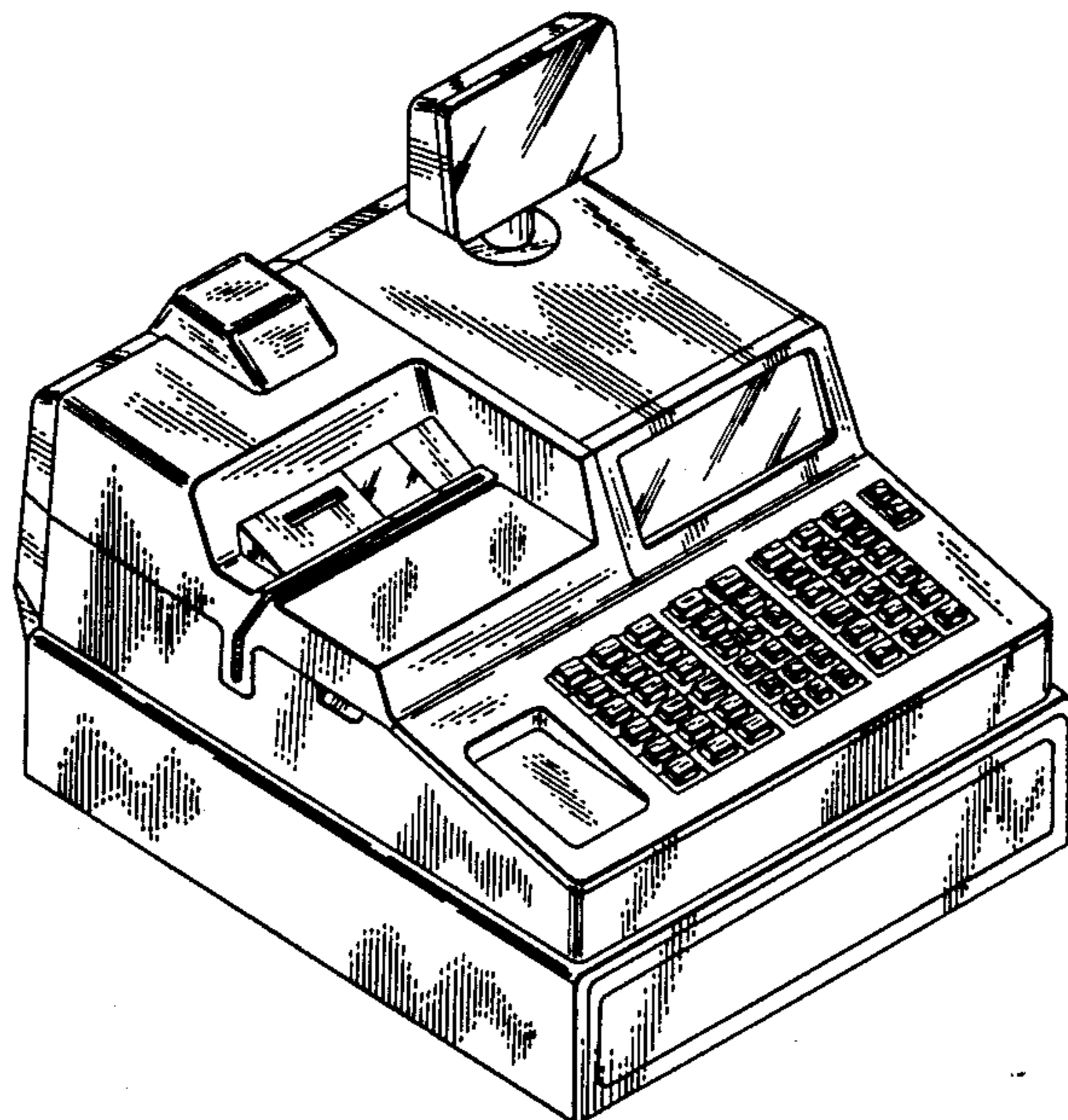


FIG. 1

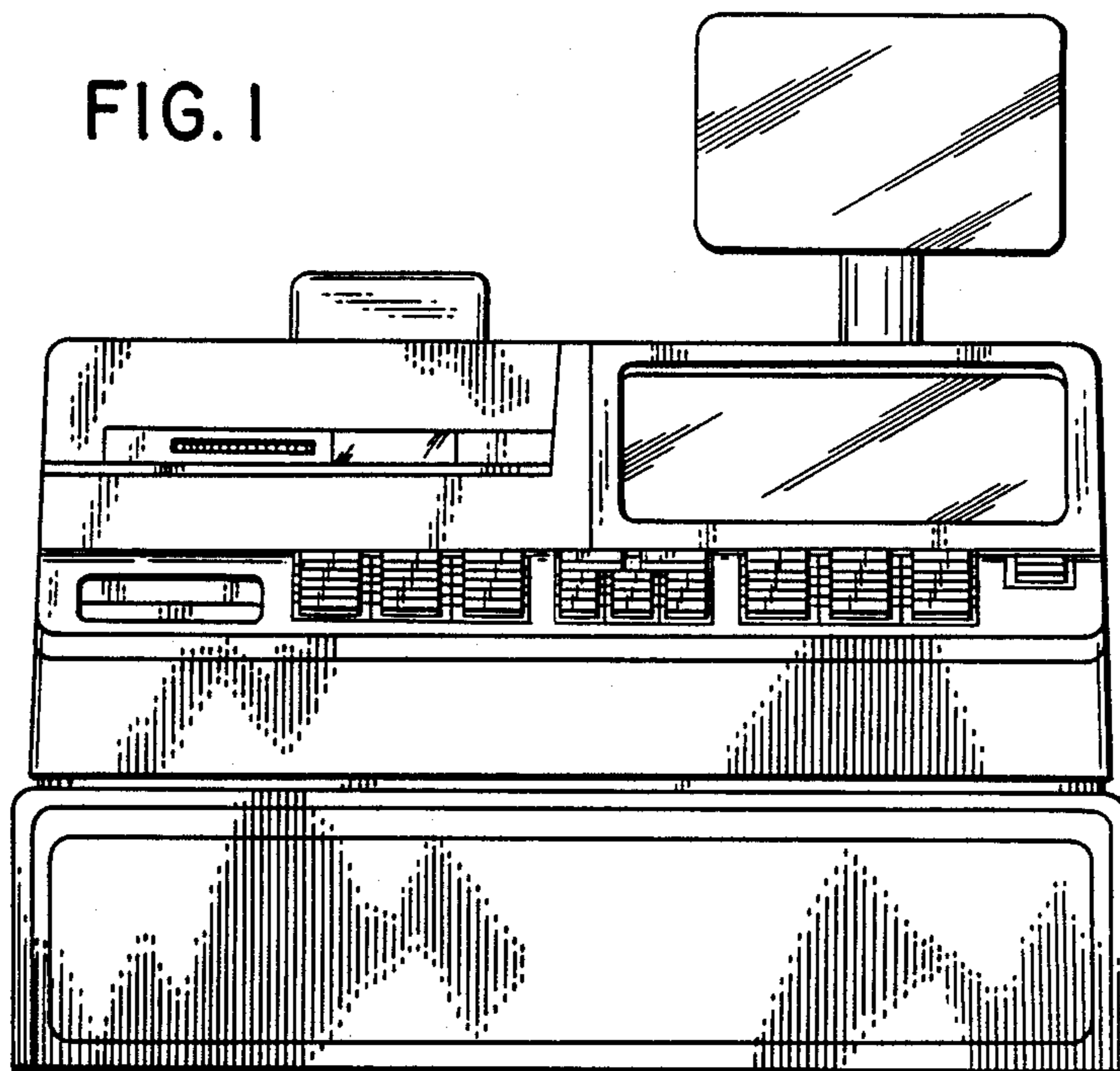


FIG. 2

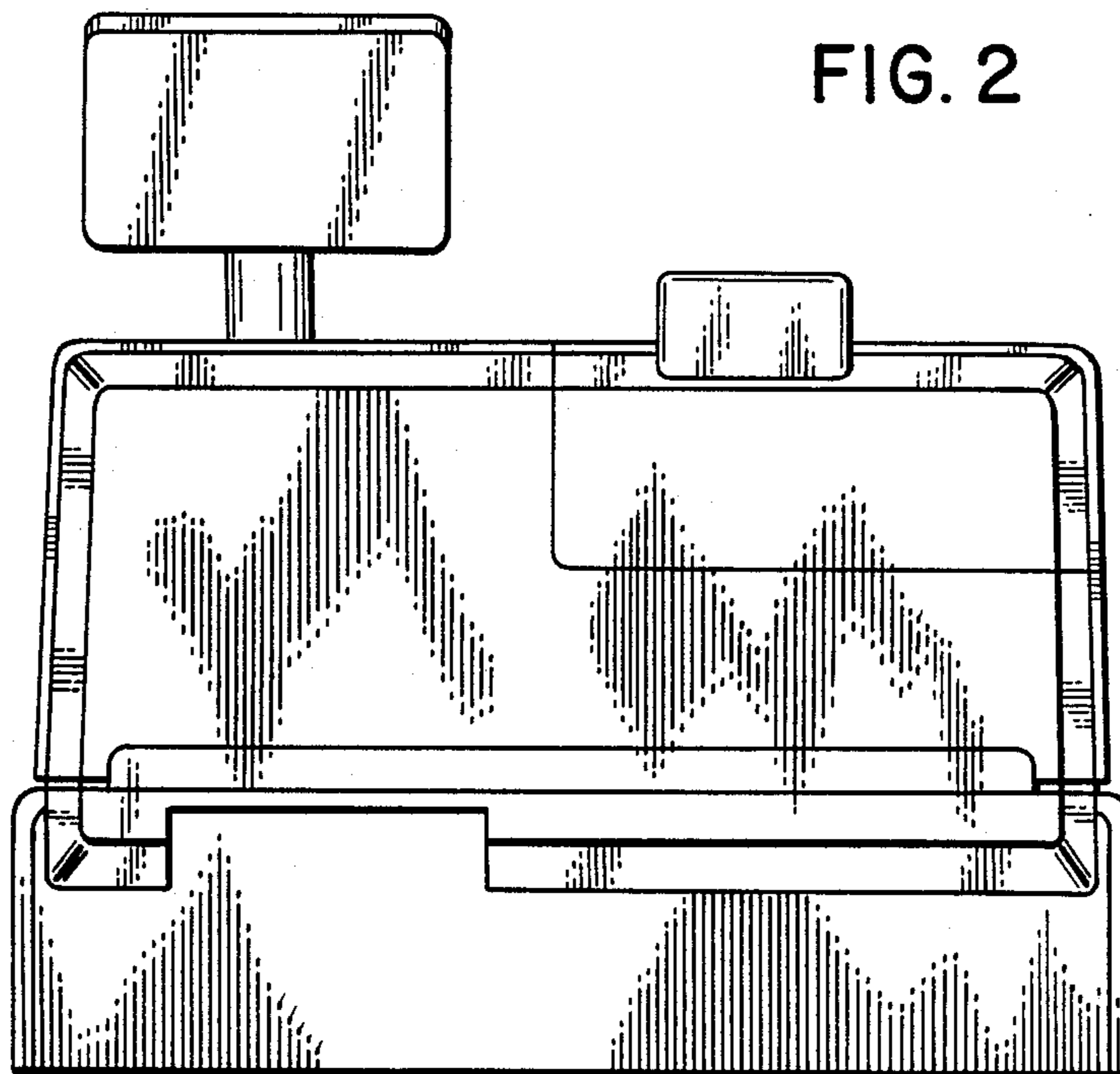


FIG. 3

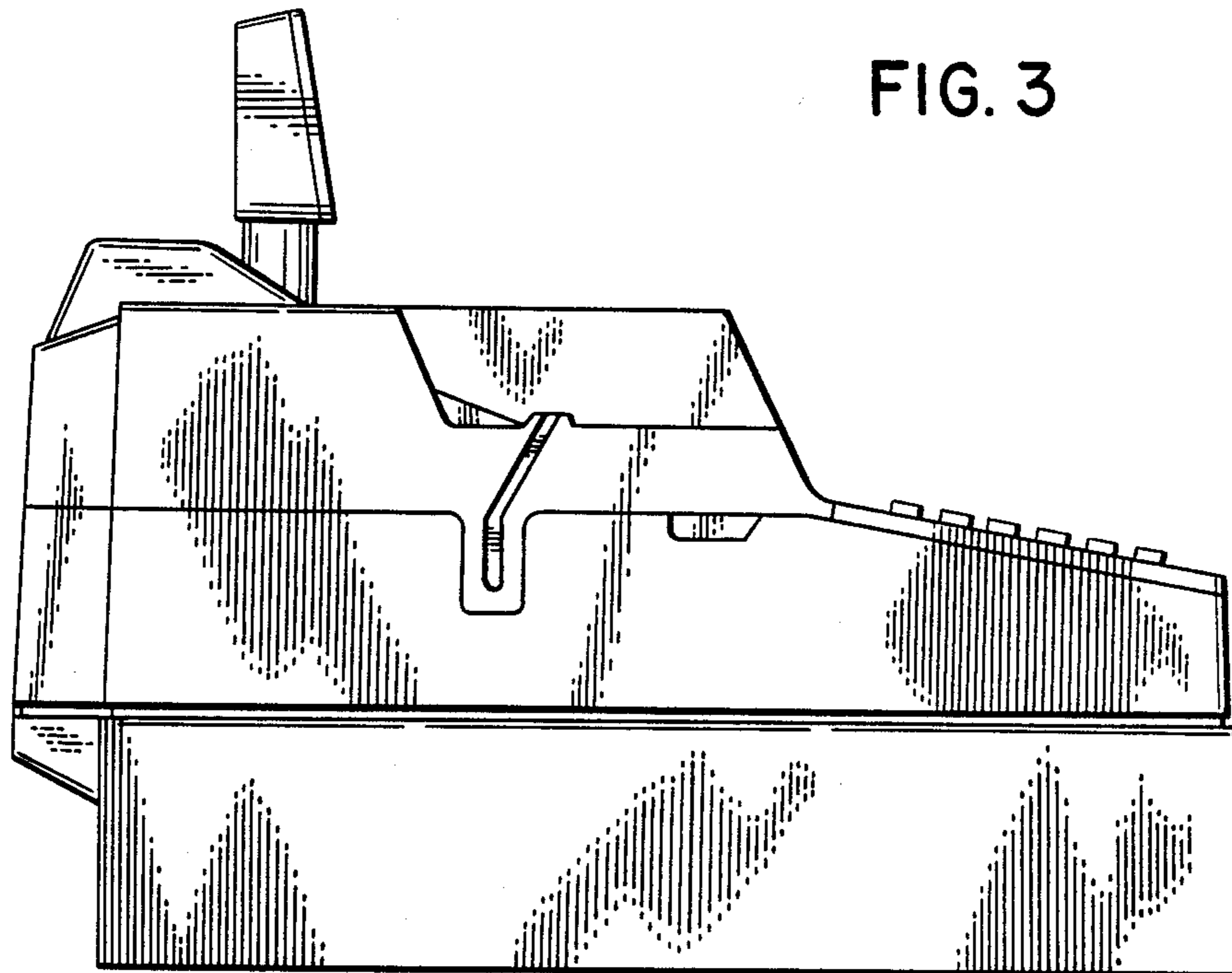


FIG. 4

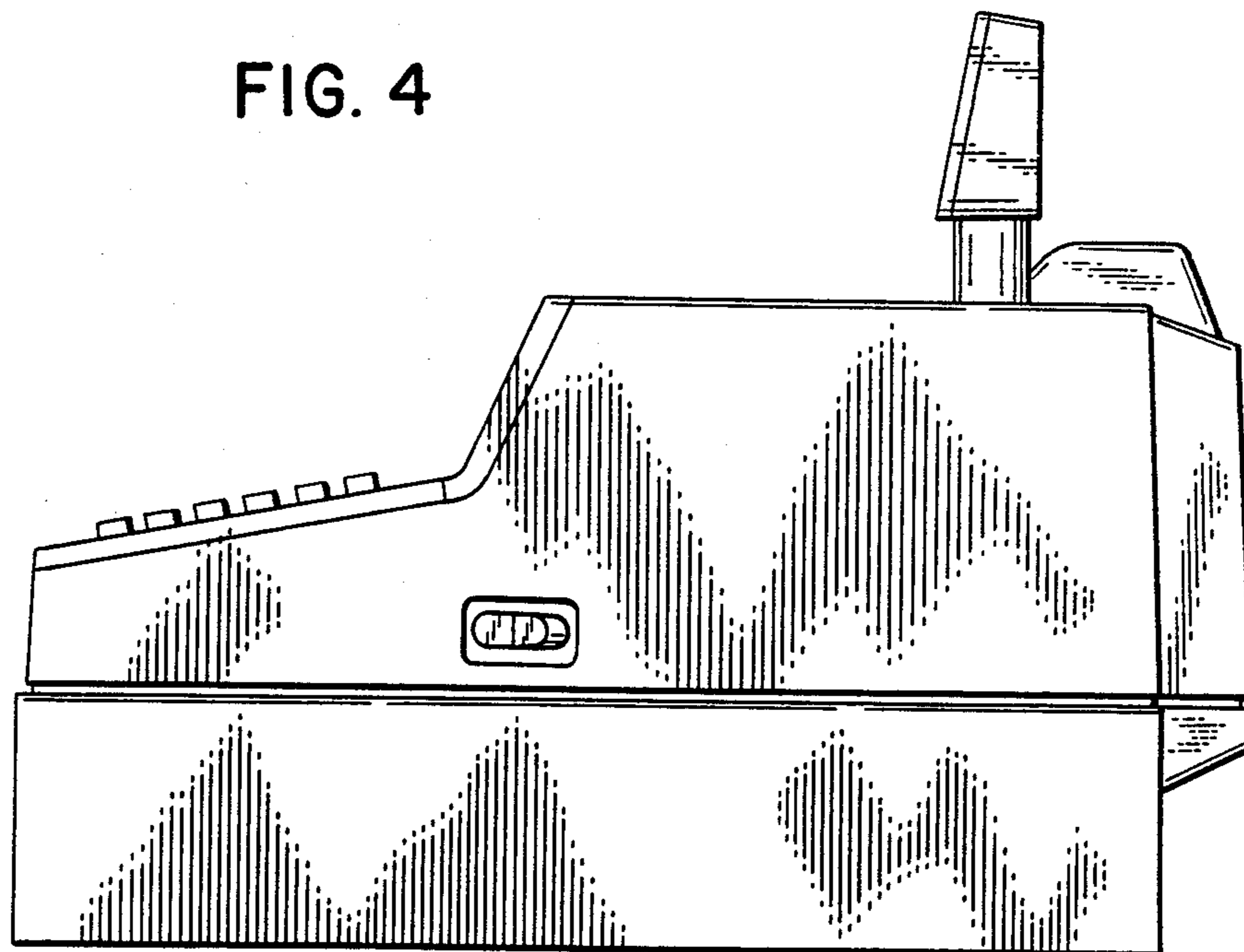


FIG. 5

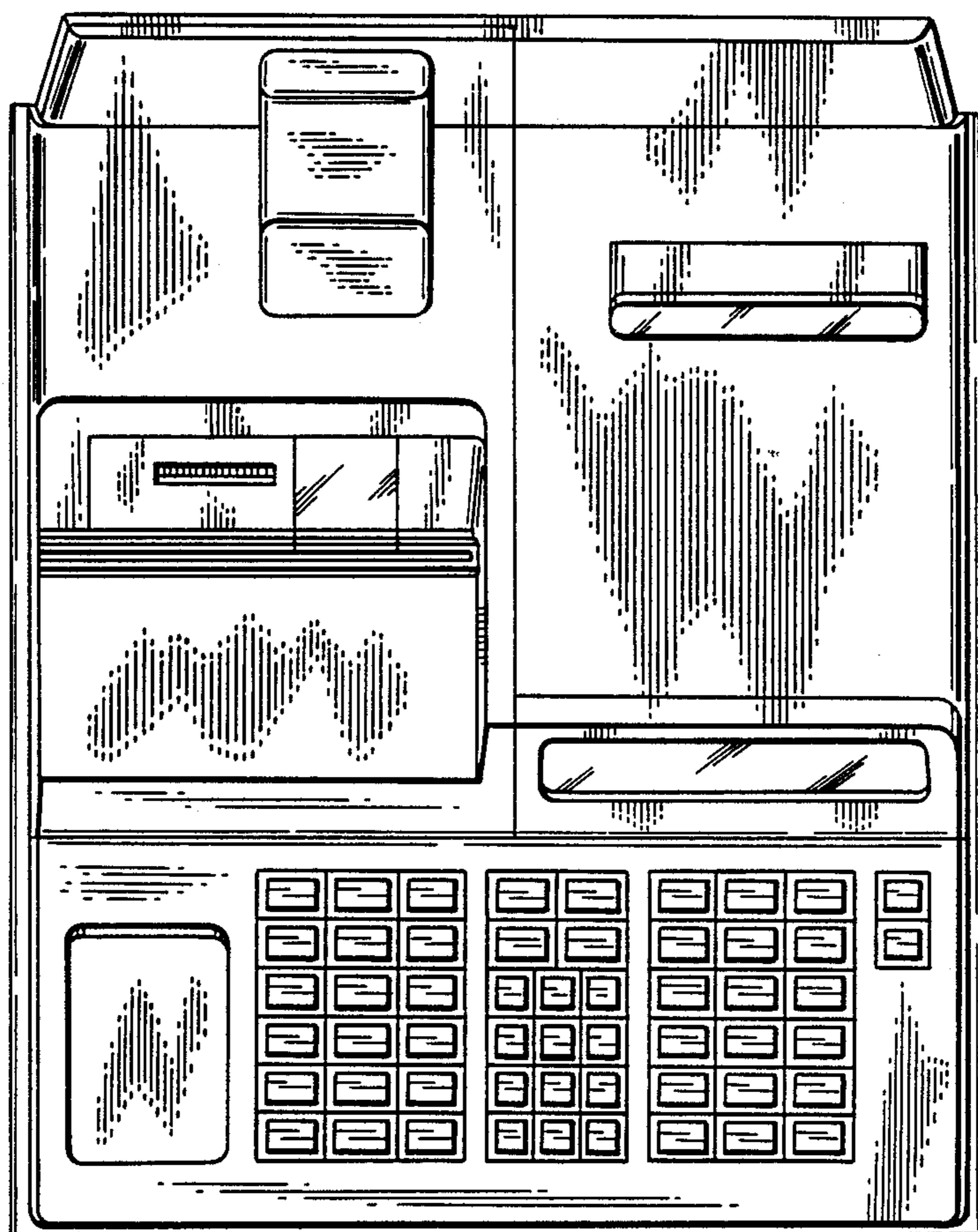


FIG. 6

