

[54] OPERATIVE DIAL-TOP HOUSING PANEL FOR A HANDSET TELEPHONE OR SIMILAR ARTICLE

[75] Inventor: Terrance N. Taylor, Cary, Ill.

[73] Assignee: Motorola, Inc., Schaumburg, Ill.

[**] Term: 14 Years

[21] Appl. No.: 21,362

[22] Filed: Mar. 3, 1987

[52] U.S. Cl. D14/247; D14/246; D14/240; D14/248

[58] Field of Search D14/53, 60, 62, 63, D14/64; 379/433, 419, 440, 428, 455; 455/89, 90

[56] References Cited

U.S. PATENT DOCUMENTS

- D. 246,043 10/1977 Taylor D14/53
- D. 246,103 10/1977 Taylor D14/53
- D. 254,435 3/1980 Ferron D14/53
- D. 270,835 10/1983 Taylor D14/64
- D. 271,491 11/1983 Taylor D14/76
- D. 283,707 5/1986 Goodin et al. D14/53
- D. 286,778 11/1986 Beaumont D14/64
- D. 291,199 4/1987 Watanabe D14/53 X
- D. 291,564 8/1987 Kajita D14/64 X

- D. 292,578 11/1987 Taylor D14/64 X
- D. 292,920 11/1987 Taylor D14/62
- D. 295,973 3/1988 Nagele D14/62 X
- D. 295,975 5/1988 Taylor et al. D14/64
- D. 297,009 8/1988 Grambush et al. D14/64
- D. 298,829 12/1988 Watanabe D14/53
- D. 299,136 12/1988 Taylor D14/64 X

Primary Examiner—Horace B. Fay, Jr.
Attorney, Agent, or Firm—Rolland R. Hackbart

[57] CLAIM

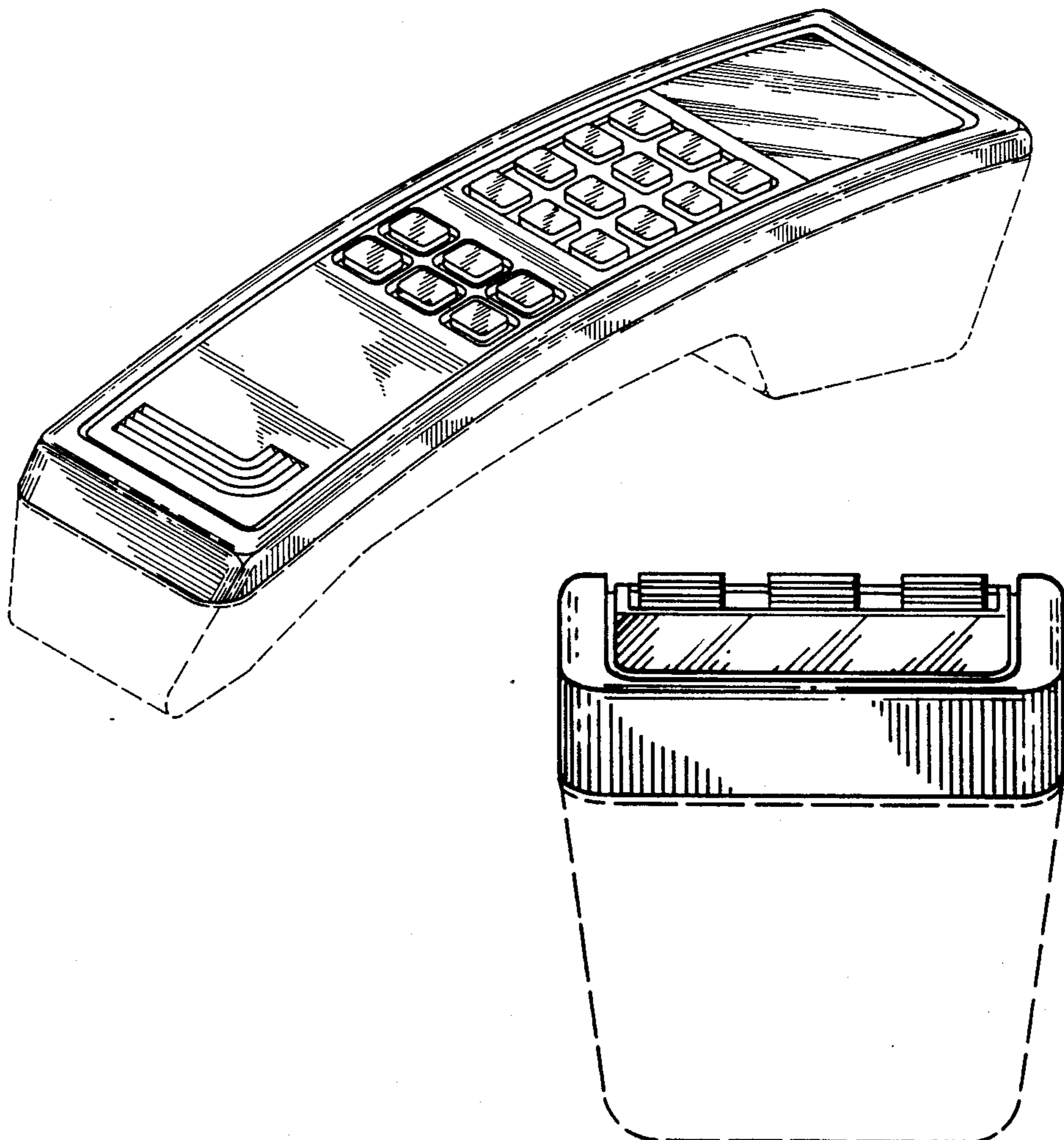
The ornamental design for operative dial-top housing panel for a handset telephone or similar article, as shown and described.

DESCRIPTION

FIG. 1 is a rear, top and right side perspective view of an operative dial-top housing panel for a handset telephone or similar article showing my new design in full lines with the broken line showing of environmental association matter in all drawing figures being for illustrative purposes only and forming no part of the claimed design;

FIG. 2 is a right side elevational view of the housing panel in full lines, and the environmental matter shown in broken lines; and

FIG. 3 is a front elevational view thereof of the housing panel in full lines and the environmental matter shown in broken lines.



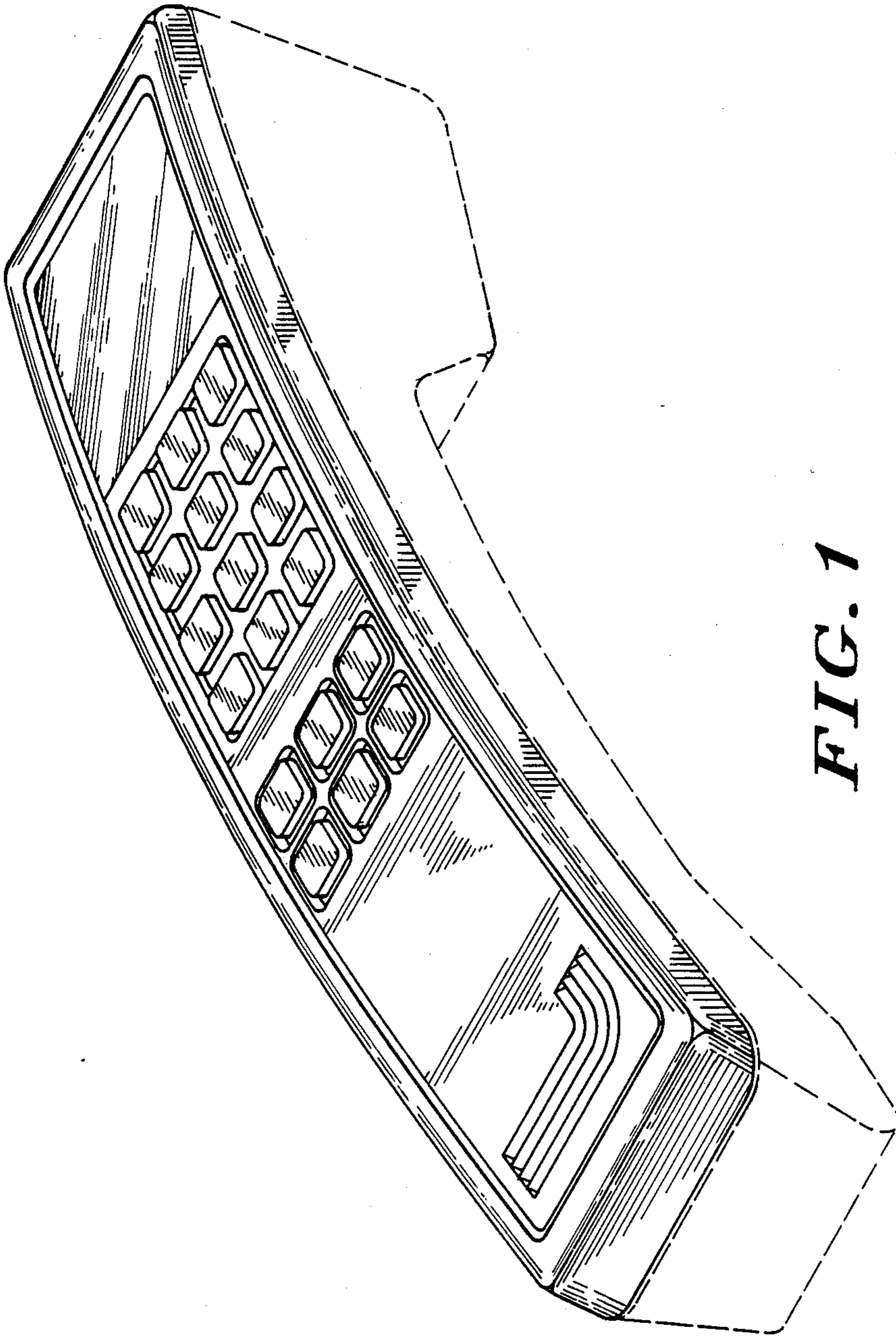


FIG. 1

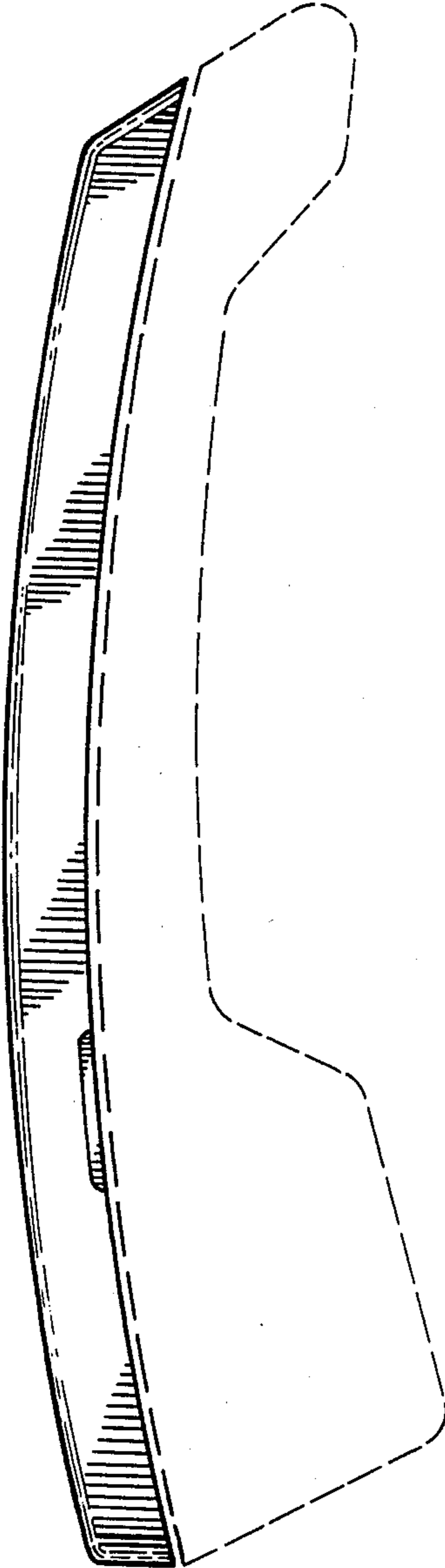


FIG. 2

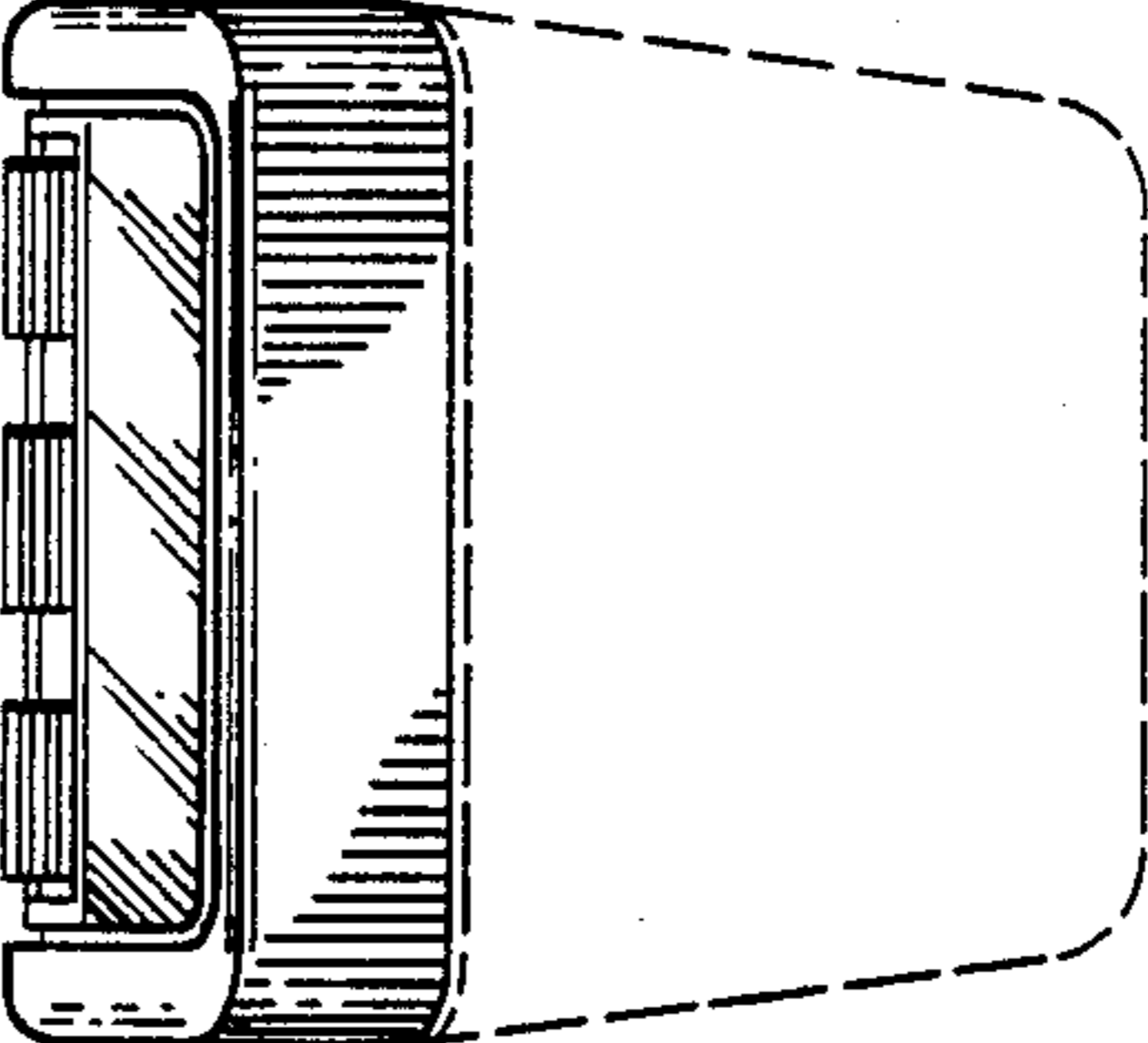


FIG. 3