

United States Patent [19]

Yuen

[11] Patent Number: **Des. 302,013**

[45] Date of Patent: **** Jul. 4, 1989**

[54] **COMBINING PORTABLE RADIO,
SPOTLIGHT AND BLINKER**

[75] Inventor: **John S. Yuen, Kowloon, Hong Kong**

[73] Assignee: **John Manufacturing Limited,
Kowloon, Hong Kong**

[**] Term: **14 Years**

[21] Appl. No.: **850,415**

[22] Filed: **Apr. 7, 1986**

[30] Foreign Application Priority Data

Oct. 8, 1985 [GB] United Kingdom 1029684
[52] U.S. Cl. **D14/168; D26/38**
[58] Field of Search **D14/5, 6, 7, 68-76,
D14/95, 96, 99; 84/344, 347, 350, 351, 89, 90;
D26/38, 42**

[56] References Cited

U.S. PATENT DOCUMENTS

D. 233,689 11/1974 Mizuno D26/38
D. 241,368 9/1976 Takano et al. D26/38
D. 280,442 9/1985 Ohashi D26/38
D. 287,292 12/1986 Yuen D26/38

D. 294,698 3/1988 Yuen D14/68 X
D. 296,243 6/1988 Ohashi D26/38
4,045,663 8/1977 Young 455/351 X

OTHER PUBLICATIONS

Hong Kong Enterprise, 5/86, p. 24, bottom left—1 to 3
Band Water-Resistant Flashlight Radio.

Hong Kong Enterprise, 5/86, p. 247, bottom left—
Clock Radio & Light.

Primary Examiner—Bernard Ansher

Assistant Examiner—Theodore M. Shooman

Attorney, Agent, or Firm—Fay, Sharpe, Beall, Fagan,
Minnich & McKee

[57] CLAIM

The ornamental design for a combined portable radio,
spotlight and blinker, as shown and described.

DESCRIPTION

FIG. 1 is a top plan view of a combined portable radio,
spotlight and blinker showing my new design;

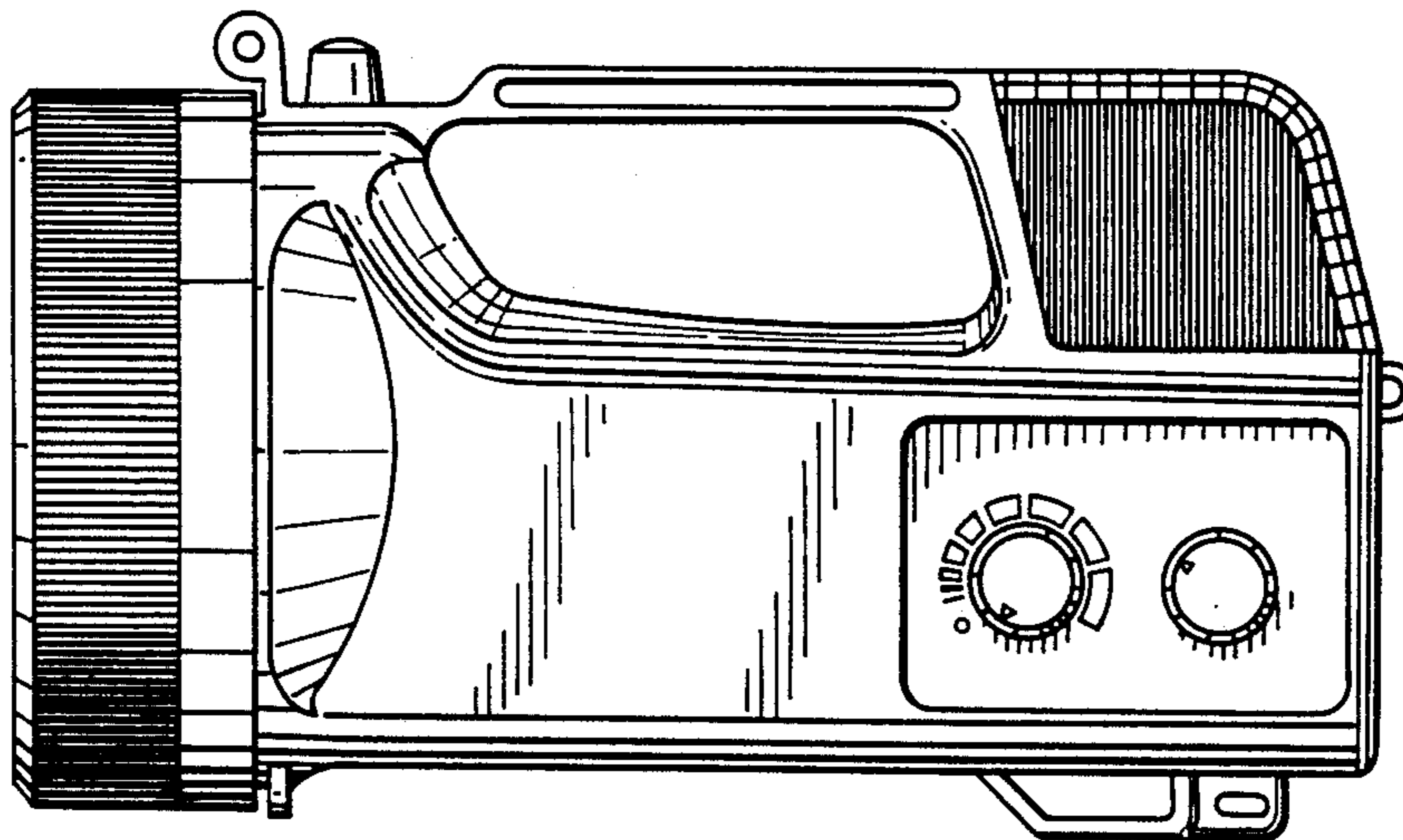
FIG. 2 is a front elevational view thereof;

FIG. 3 is a right side elevational view thereof;

FIG. 4 is a bottom plan view thereof;

FIG. 5 is a rear elevational view thereof;

FIG. 6 is a left side elevational view thereof.



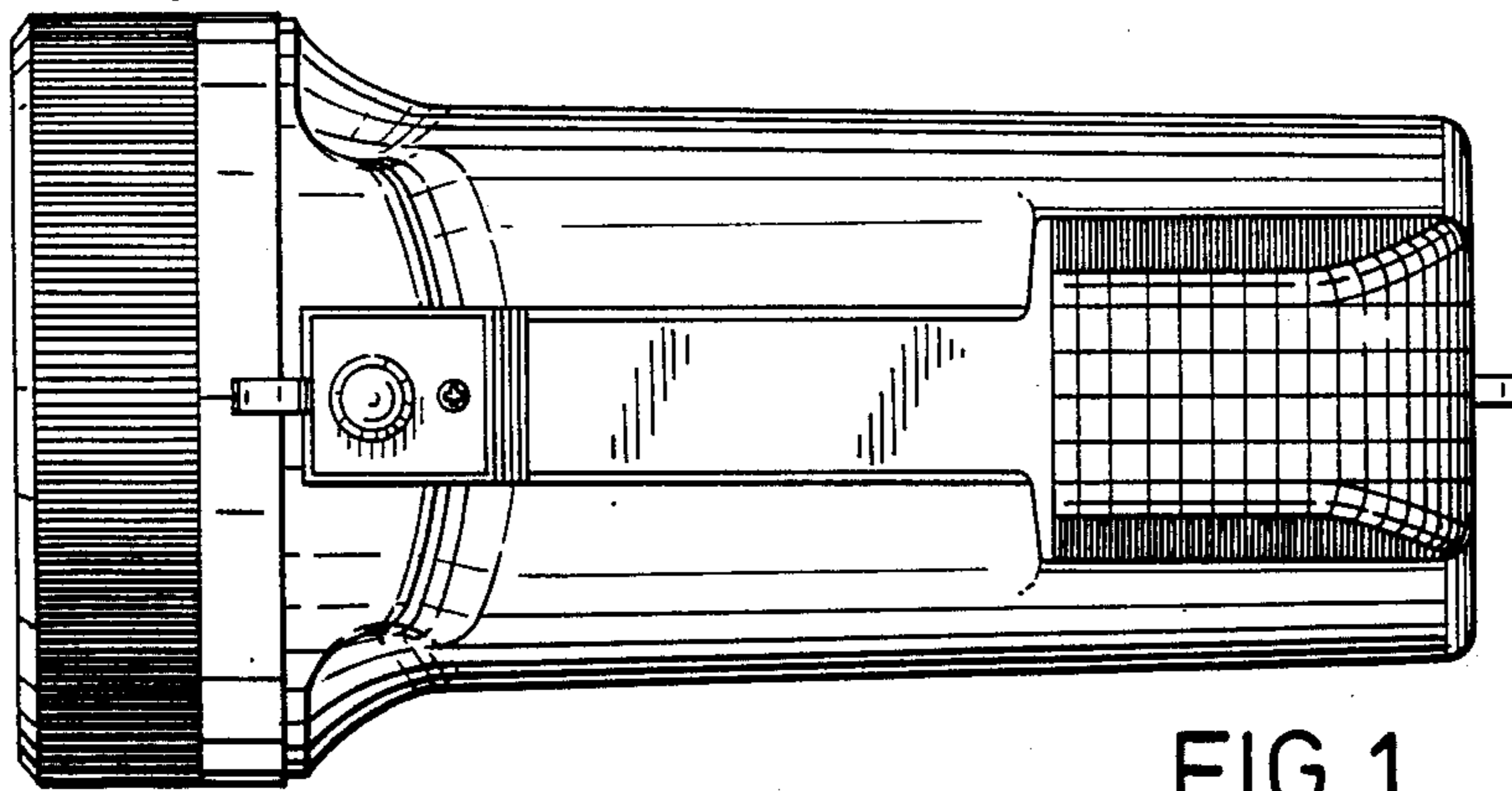


FIG. 1

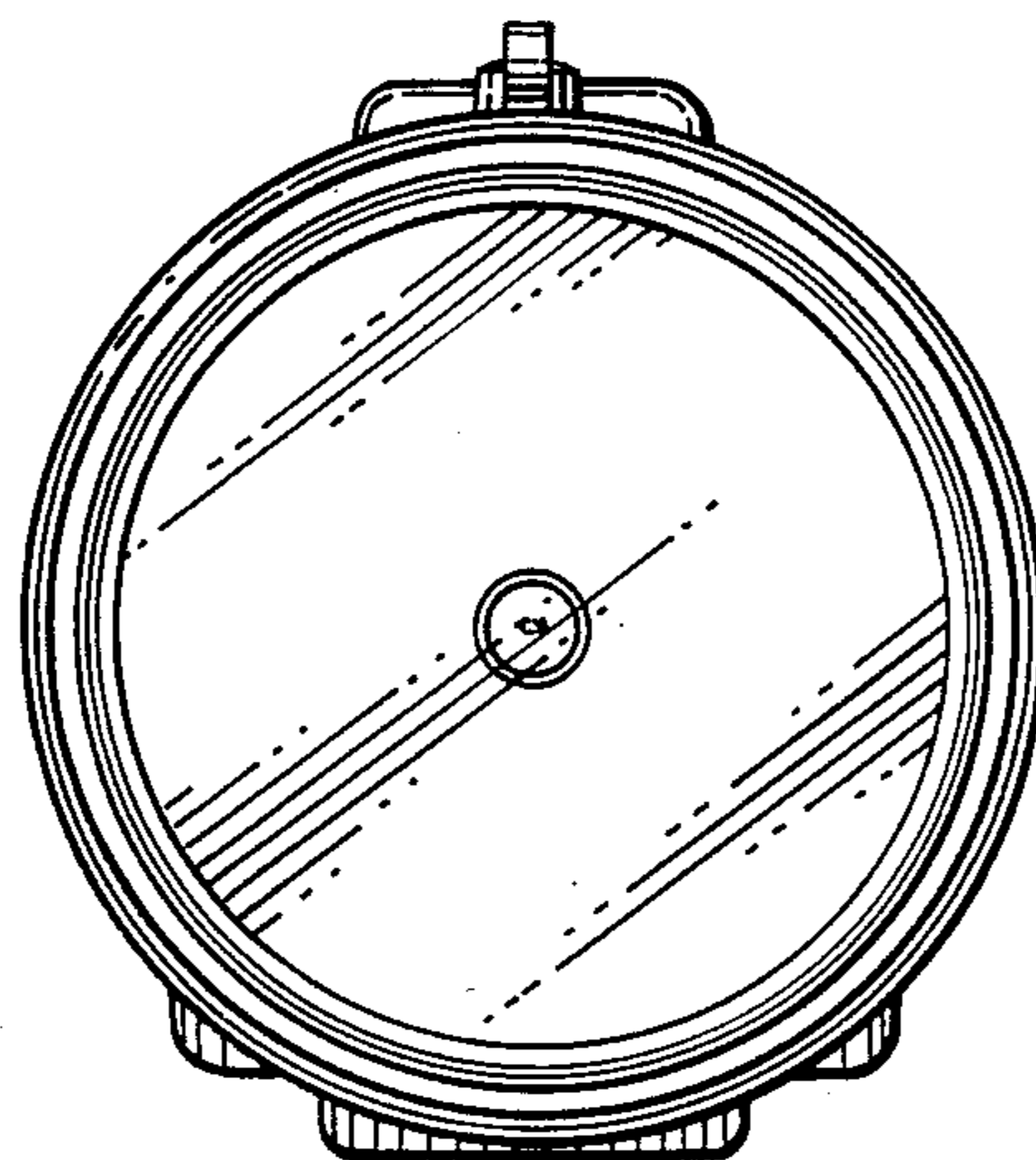


FIG. 2

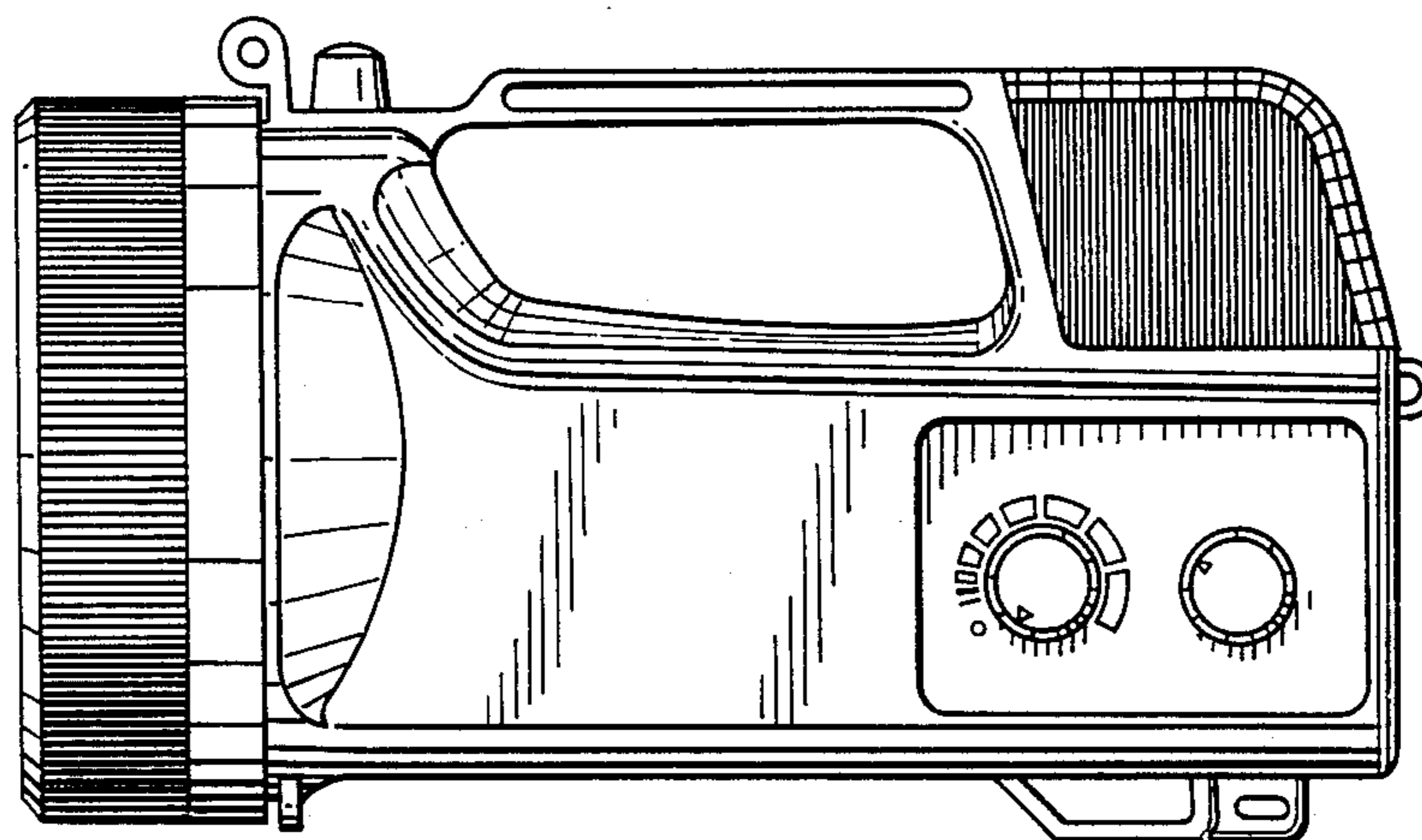


FIG. 3

