

[54] VISUAL DISPLAY MONITOR

[75] Inventors: Kenneth H. Grange; Johan C. Santer, both of London, England

[73] Assignee: Reuters Limited, London, England

[**] Term: 14 Years

[21] Appl. No.: 850,350

[22] Filed: Apr. 4, 1986

[30] Foreign Application Priority Data

Oct. 11, 1985 [GB] United Kingdom 1029793

[52] U.S. Cl. D14/113

[58] Field of Search D14/100, 106, 113, 77, D14/80, 81, 82; 340/700, 711, 720; 358/254, 249; 312/7.2; 248/157, 178, 179, 183, 349, 371

[56] References Cited

U.S. PATENT DOCUMENTS

- D. 276,343 11/1984 Enomoto D14/80 X
- D. 282,845 3/1986 Lewis D14/113
- D. 289,168 4/1987 Rutter D14/113
- D. 291,085 7/1987 Nuttall et al. D14/113

D. 293,108 12/1987 Brion D14/80

OTHER PUBLICATIONS

Trans-Lux Teleprinter Brochure, 3-1985, Blue Teleprinter Housing.

Xerox 6085 Professional Computer System Brochure, 4-1985, Display Monitor (TAN).

Primary Examiner—Susan J. Lucas

Attorney, Agent, or Firm—Irvin A. Lavine

[57] CLAIM

The ornamental design for a visual display monitor, as shown and described.

DESCRIPTION

FIG. 1 is a front elevational view of a visual display monitor showing our new design;

FIG. 2 is a rear elevational view thereof;

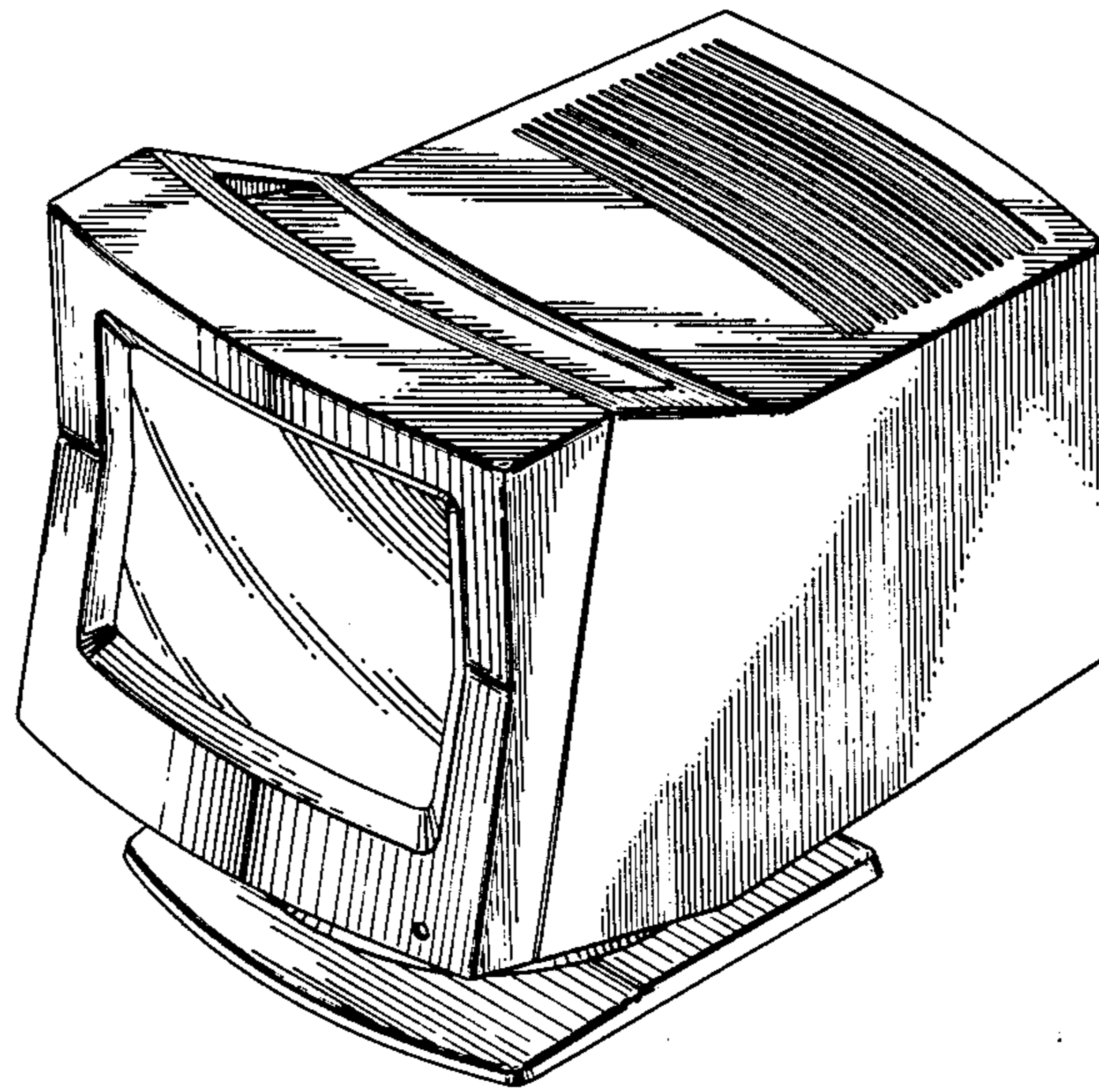
FIG. 3 is a right hand side elevational view thereof;

FIG. 4 is a left hand side elevational view thereof;

FIG. 5 is a bottom plan view thereof;

FIG. 6 is a bottom plan view thereof;

FIG. 7 is a top, front, and right hand side perspective view thereof.



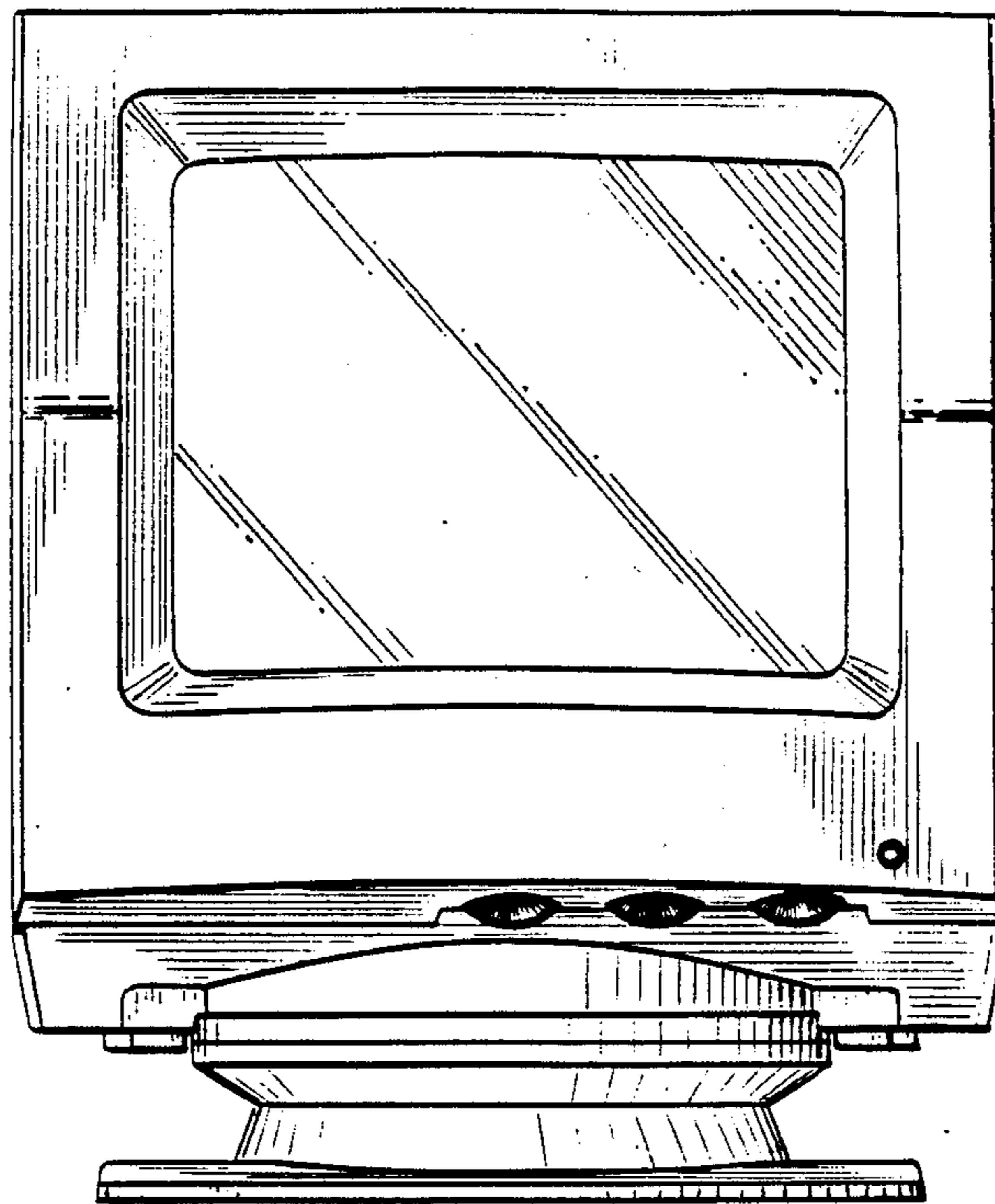


FIG. 1

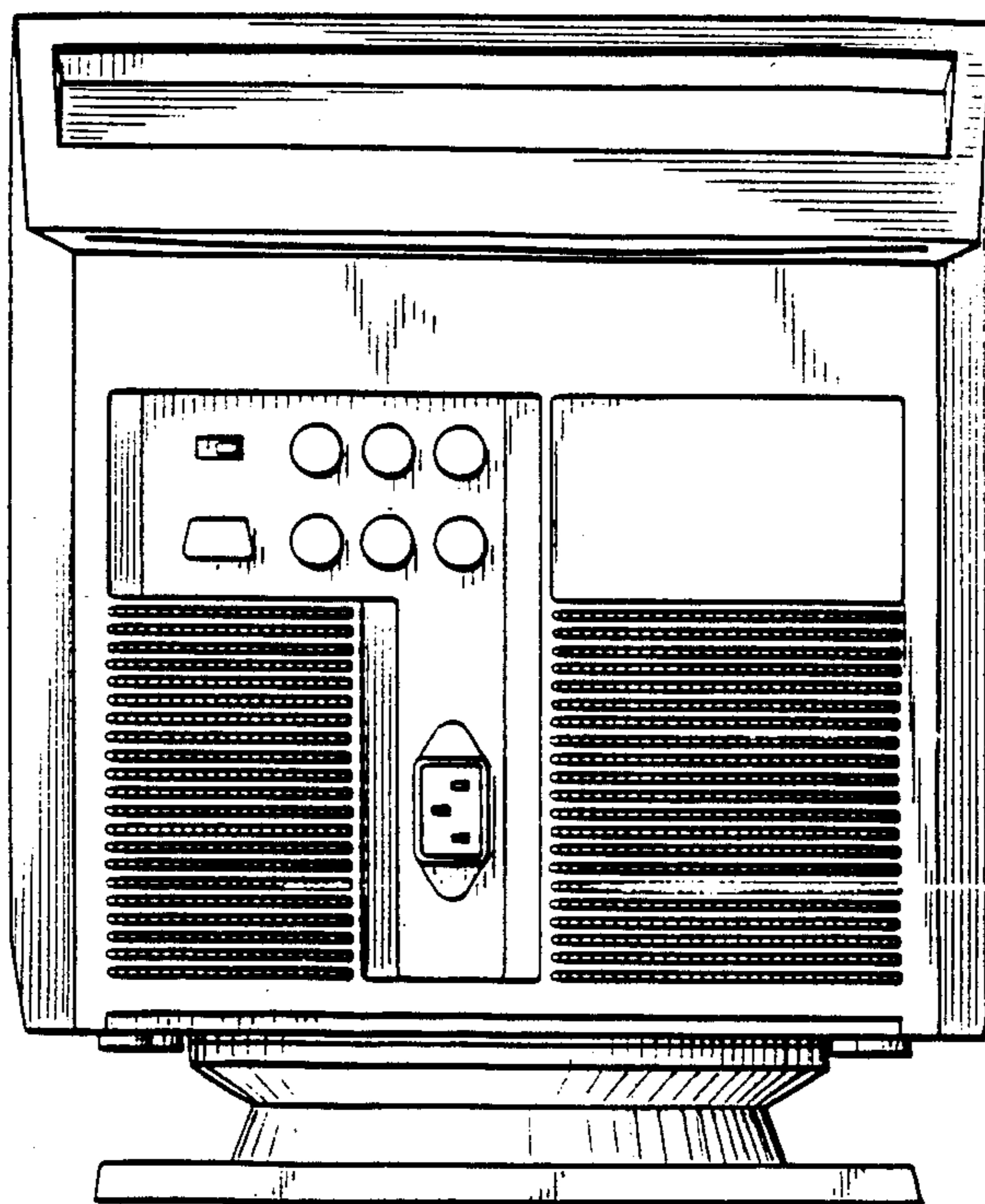
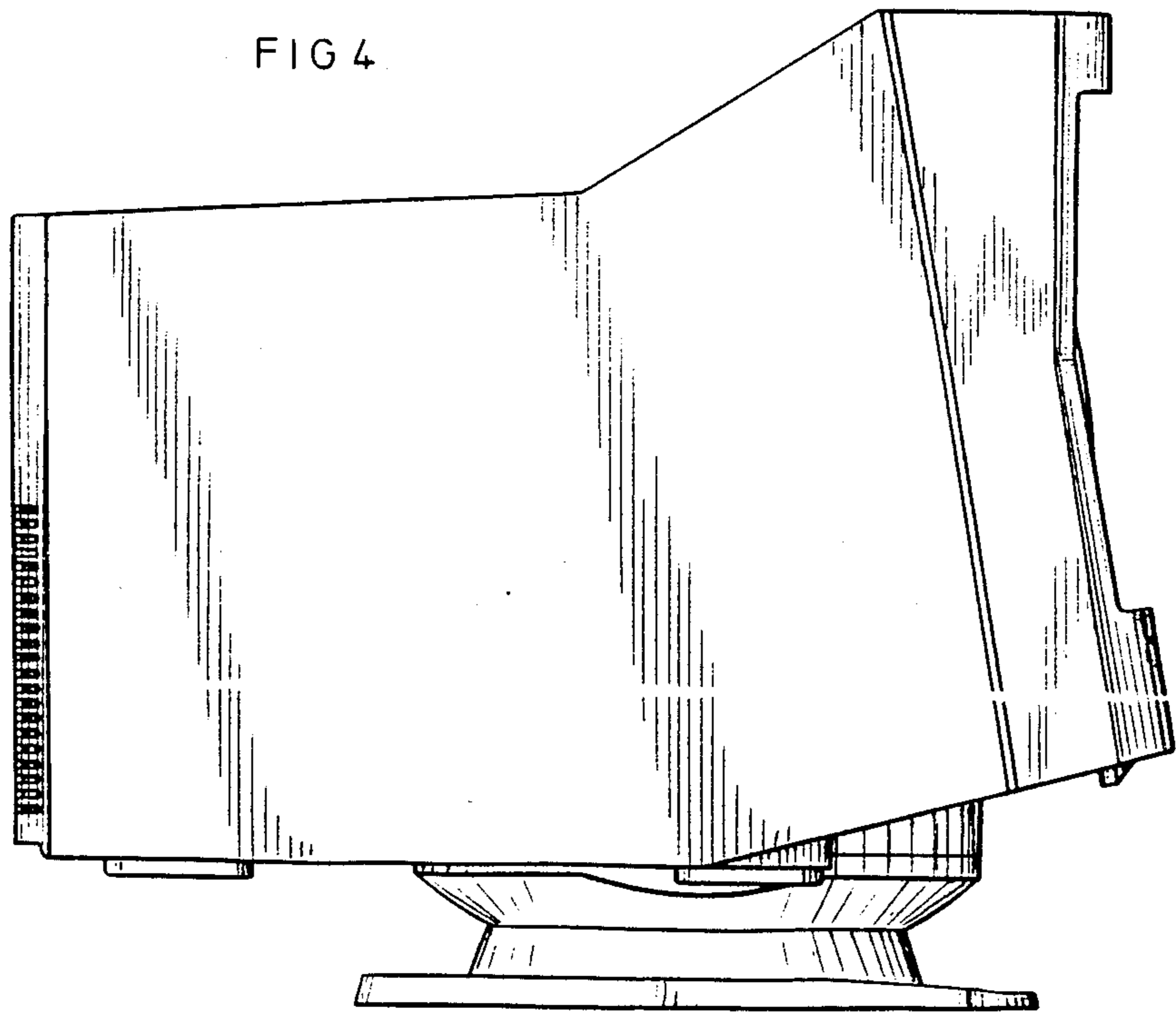
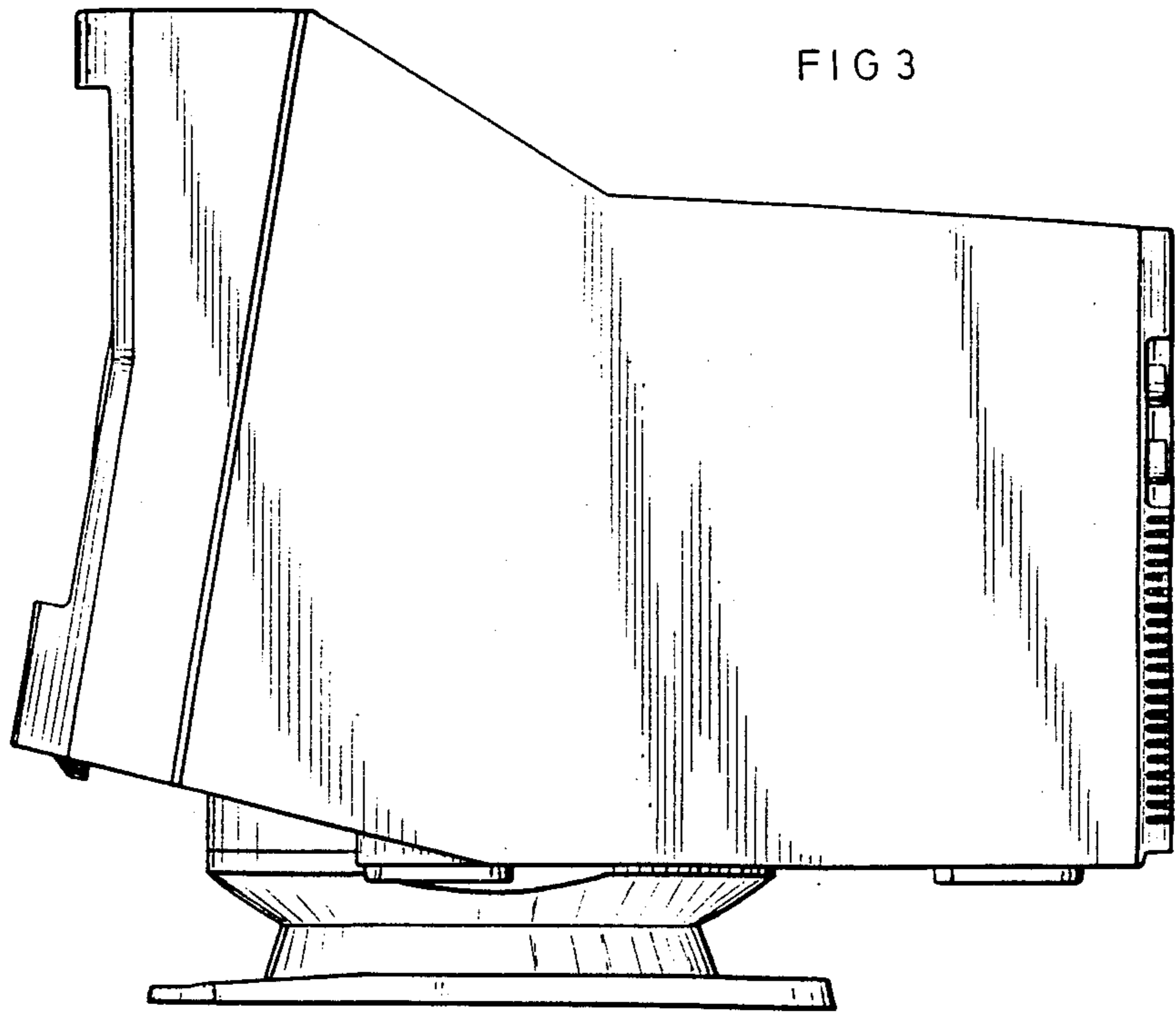


FIG. 2



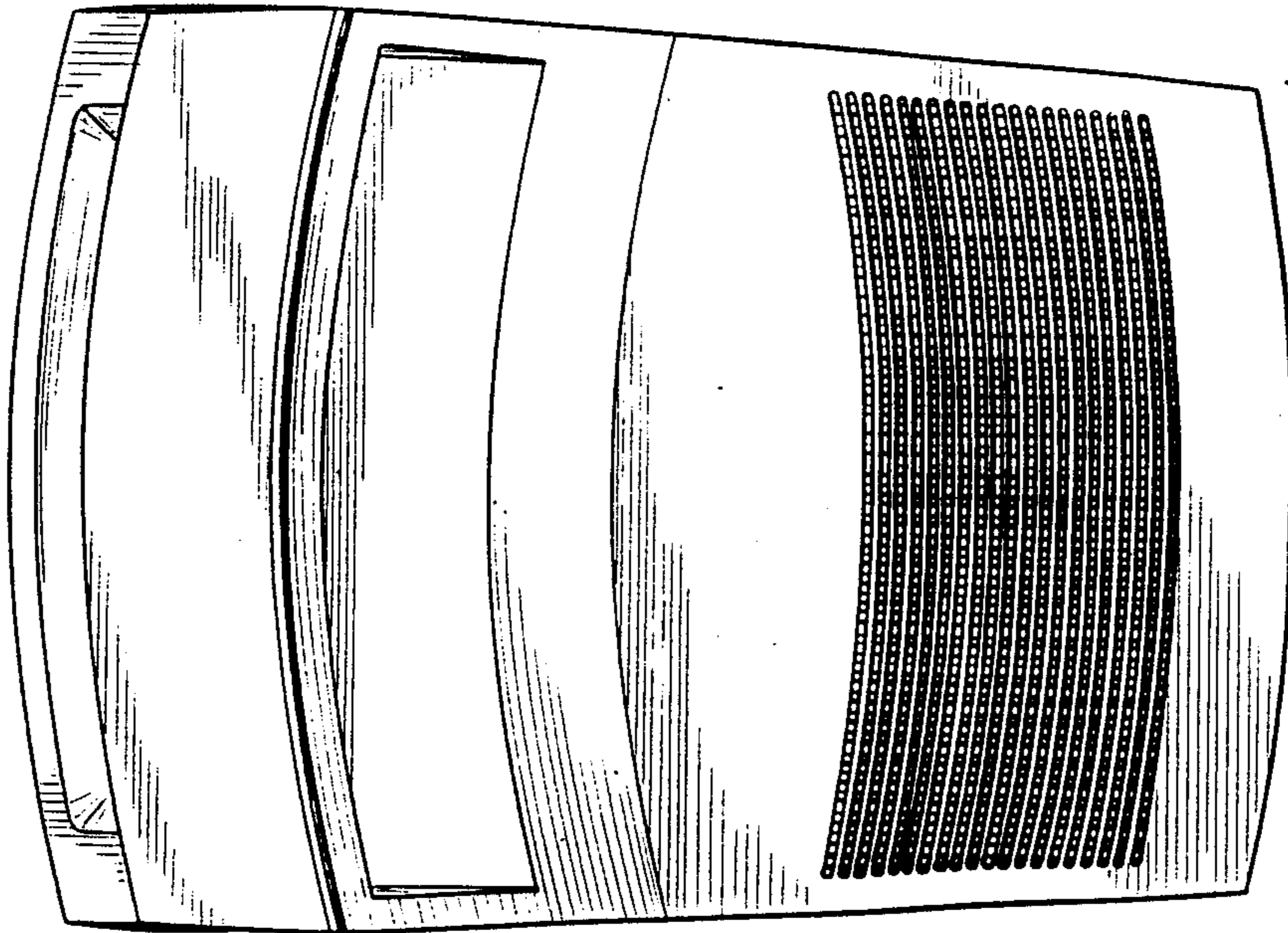


FIG. 5.

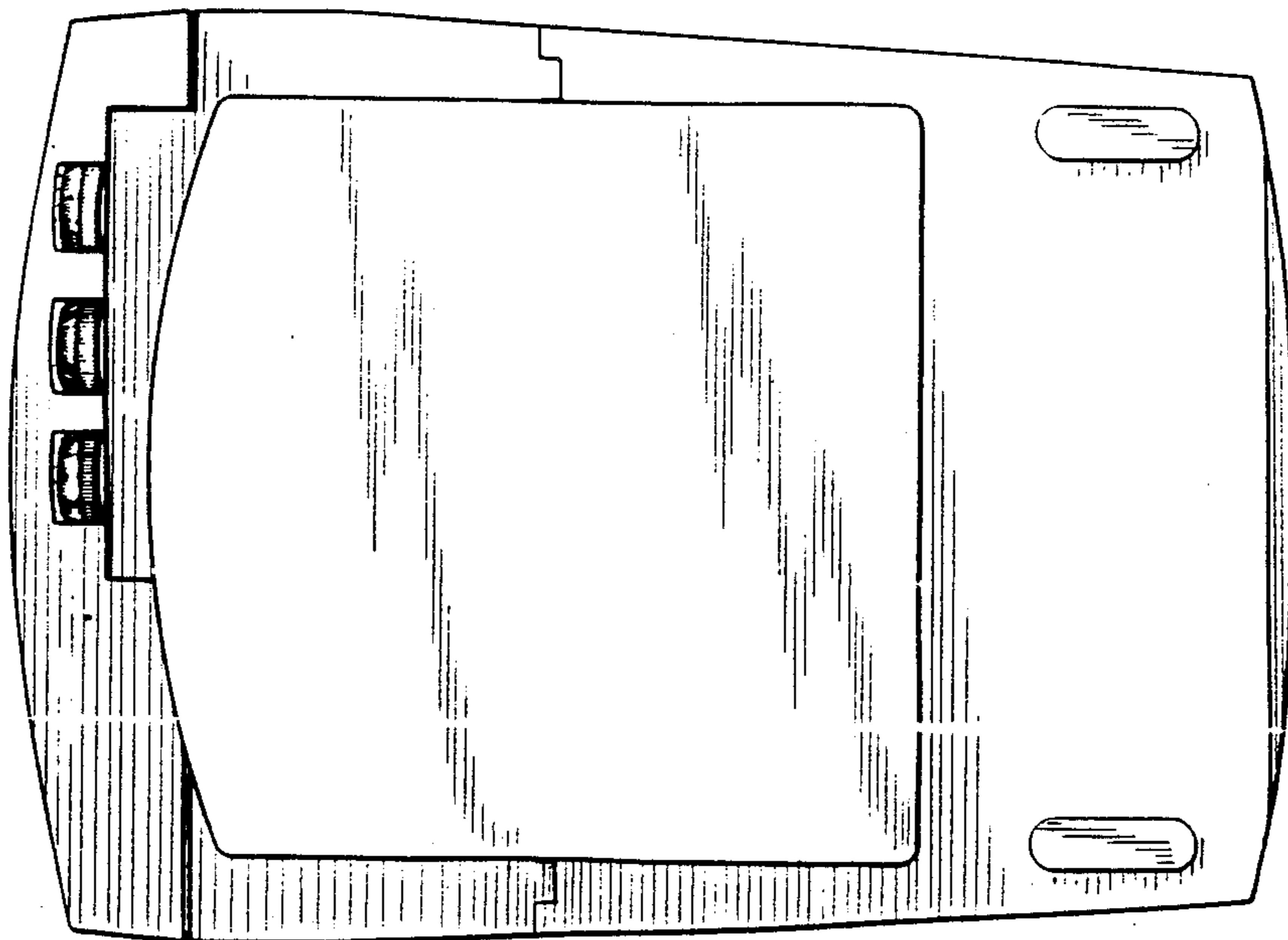


FIG. 6.

FIG. 7

